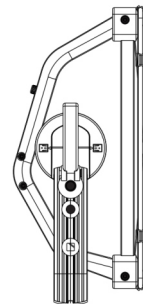
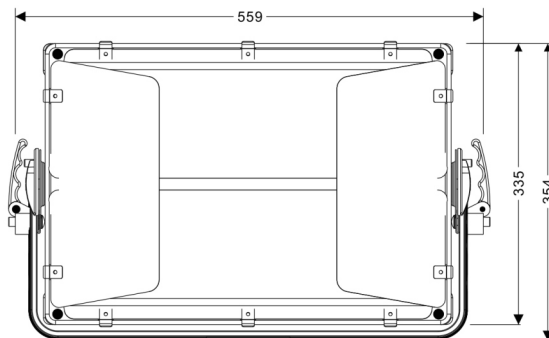




# LED Studio Light

## TL-SL361



### Feature:

\* Dimming: 0~100% linear adjustment.

\* Strobe effect: quick strobe (1-30Hz).

\* Over-temperature protection function: built-in NTC temperature control function. When the LED is overheated, the output power will be intelligently reduced.

### Specifications:

Model	TL-SL361
Input voltage	AC 110-240V 50/60Hz, 250W
Light source	108 *3W LED (R27G27B27W27)
Average lifespan	50000H
Color temperature	6500K
Beam angle	60°
Channel	4/8CH
Fixture material	Die-cast aluminum
Control mode	DMX512 signal, self-propelled mode, master-slave mode, RDM protocol and program online upgrade function
Protection class	IP20
Fixture size (L×W×H)	559×354×155mm
Package size (L×W×H)	640×395×210mm
Gross weight	12.6kg
Net weight	10.6kg