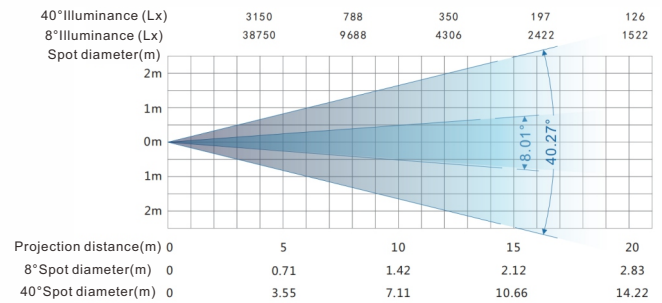
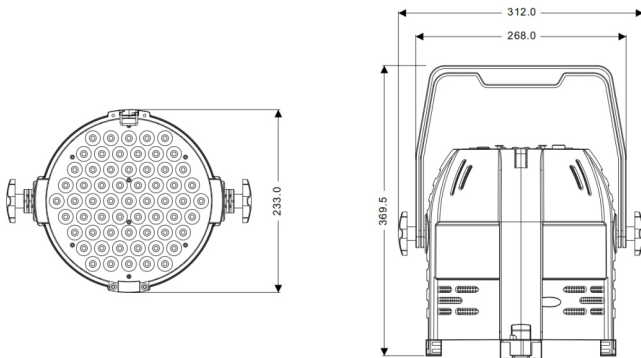




# Par Light

## TL-SL210B



### Feature:

- \* Strobe: independent electronic strobe 1-25Hz.
- \* Color mixing: RGBW (red, green, blue and white) linear color mixing, 16.7 million colors (0-100% saturation adjustment), and built-in macro function.
- \* Electronic dimming: 0-100% independent electronic linear dimming, lifelike and flicker-free camera video, the master-slave self-propelled automatic synchronization function, and the console normally controls the self-propelled permanent synchronization.
- \* LCD menu: invoke various scenes; built-in programs can be directly invoked and executed.
- \* Cast aluminum housing, high luminous efficiency, uniform light mixing, and stable performance; equipped with a 1.5m power line and signal line.
- \* Fixture connection: three-core signal line IN/OUT and power line IN/OUT.
- \* Voice control sensitivity: 65-130dB.
- \* Over-temperature protection function: built-in NTC temperature control function; when the LED is overheated, the output power will be intelligently reduced.

### Specifications:

Model	TL-SL210B
Input voltage	AC 110-240V 50/60Hz, 200W
Light source	61×3W LED(R13G16B16W16)
Average lifespan	50000H
Color temperature	3200K~7200K linear adjustment
Beam angle	60°
Focus range	8°-40° adjustable angle
Control mode	Multiple voice control, DMX512, built-in self-propelled program, master-slave online mode, support RDM protocol and program online update function
Channel	5/7/9 channels
Fixture material	Cast aluminum housing
Protection class	Fireproof V-1, protection IP30
Fixture size (L×W×H)	312×233×368mm
Package size (L×W×H)	290×290×420mm
Gross weight	5.5kg
Net weight	4.5kg