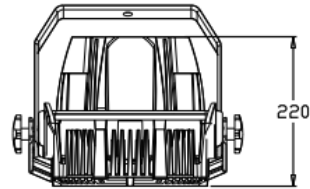
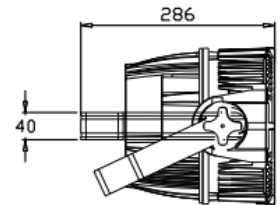
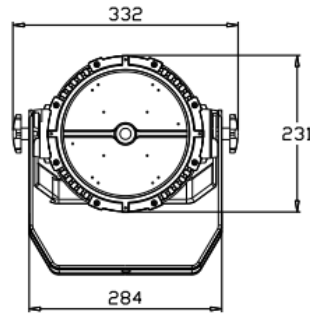




LED Flood Light

TL-LT603B



Feature:

- * Strobe: independent electronic strobe 1-25Hz.
- * Color mixing: RGBW (red, green, blue and white) linear color mixing, 16.7 million colors (0-100% saturation adjustment), and built-in macro function.
- * Electronic dimming: 0-100% independent electronic linear dimming, lifelike and flicker-free camera video, the master-slave self-propelled automatic synchronization function, and the console normally controls the self-propelled permanent synchronization.
- * LCD menu: invoke various scenes, built-in programs can be directly invoked and executed.
- * Fixture connection: 3-core signal line IN/OUT and power line IN/OUT.
- * Cast aluminum housing, high luminous efficiency, uniform light mixing, and stable performance; equipped with a 1.3m hand-in-hand power line and signal line of 1 in and 1 out.
- * Over-temperature protection function: built-in NTC temperature control function. When the LED is overheated, the output power will be intelligently reduced.

Specifications:

Model	TL-LT603B
Input voltage	AC 110-240V 50/60Hz, 120W
Light source	54×3W LED(R14G14B14W12)
Average lifespan	50000H
Color temperature	3200K~7200K linear adjustment
Beam angle	25°(15°, 45° optional)
Control mode	DMX512, built-in program self-propelled, master-slave online mode, support RDM protocol and program online update function
Channel	4/8 channels
Fixture material	Cast aluminum housing
Protection class	Fireproof V-1, protection IP65
Fixture size (L×W×H)	320×230×290mm
Package size (L×W×H)	295×295×330mm
Gross weight	6.75kg
Net weight	5.95kg
Working temperature	-20°C~45 °C