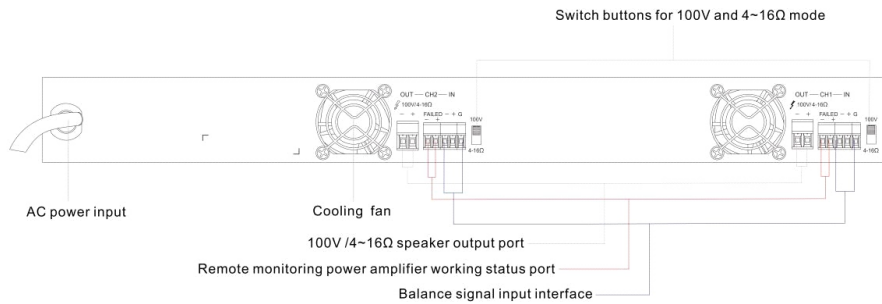
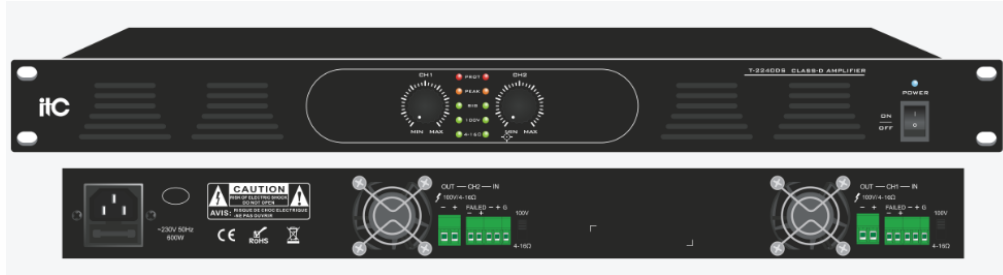




2-Channel Class-D Amplifier

T-2120DS/T-2240DS/T-2350DS/T-2500DS



Description:

Provide regional power amplification for broadcast systems, suitable for broadcast systems such as clubs, venues, shopping centers, etc. with multi-channel high-power amplifier requirements.

Features:

- * Adopting high-efficiency Class-D amplifying circuit with built-in high-efficiency switching power supply, which makes the whole machine efficiency up to 85%.
- * Reasonable heat dissipation layout is adopted inside the product, which enables the product to maintain a working temperature lower than 55 degrees even in extremely harsh working environment, greatly extending the service life of the equipment.
- * 1U standard 19-inch industrial chassis design.
- * Providing 2 channel of 100 v or 4-16 Ω output terminal wiring speaker.
- * Without transformer output 100V and can switch constant resistance 4-16Ω output.
- * The fault output function can remotely monitor the working state of amplifier.
- * The product has short circuit, overload and overheat protection.
- * Support 2-channel independent power supply function.
- * 85% high-efficiency amplifier with low power loss and heat output.
- * 2-channel European terminal balanced input and 2-channel European terminal output.

Specifications:

Model	T-2120DS	T-2240DS	T-2350DS	T-2500DS
Rated Power Output	2×120W	2×240W	2×350W	2×500W
Rated Output	100V/4-16Ω			
Input Sensitivity (impedance)	±385mV/20KΩ, Balance input			
Overload Source Electromotive Force	>11dB			
Frequency Response	80Hz~16KHz (+1, -3dB)			
Signal-to-noise Ratio	≥85dB			
THD	≤0.1% at 1KHz, 1/3 Rated power			
Control	Remote power control and fault indication			
Indicator Light	Signal, peak, protection, power			
Protection	Overheat, overload, short circuit			
Cooling	Fan forced cooling			
Power Supply	~220V/50Hz			
Power Consumption	320W	650W	950W	1250W
Dimension	484×315×44mm			
Weight	4.4Kg	4.5Kg	4.6Kg	4.7Kg