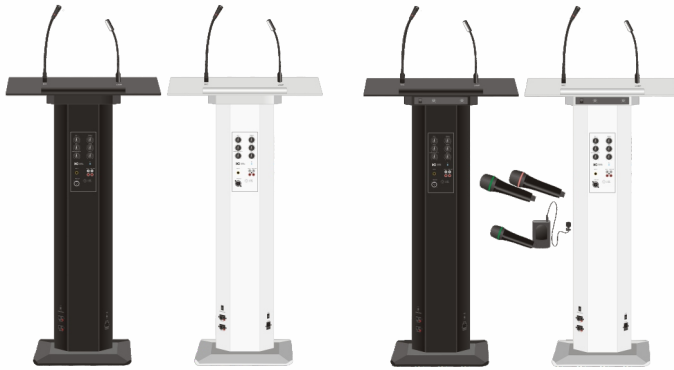




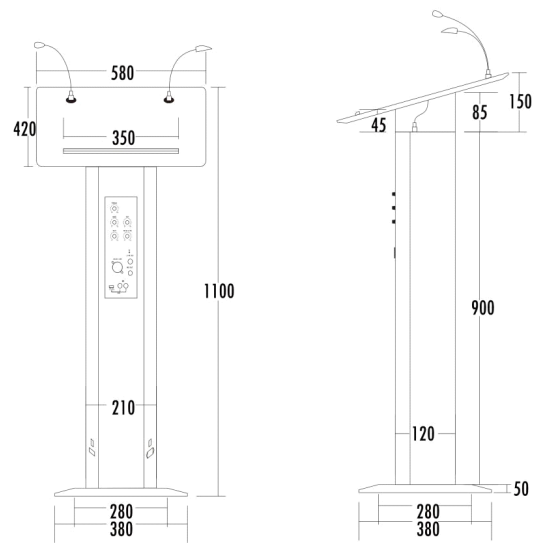
# Lectern T-6236

# Lectern with Wireless VHF MIC T-6236B



T-6236

T-6236B



## Description:

- \* Lectern is applied to lectures, teaching and conference, built-in 3 sub-woofer loudspeaker, one tweeter, with rated output power 60W, built-in microphone and a small desk lamp.
- \* One gooseneck Mic and one lamp.
- \* Built-in 60W amplifier.
- \* One line input, two microphone inputs, one line output, one record output.
- \* T-6236B With 2 VHF hand-held microphones capable of transmitting 100 meters. (T-6236B standard)

## Specifications:

Power supply	~220V 50Hz
Power consumption	100W
Frequency response	100Hz~16KHz
Output Power	60W
Input Sensitivity	MIC1: -50dB ±2dB1.5/680ΩMIC2: -55dB ±2dB1.5/600ΩLINE: -20dB ±2dB1.5/50Ω Aux: 1.-20dB ±2dB1.5/10KΩ 2.-15dB ±2dB1.5/30KΩ 3.-10dB ±2dB1.5/50KΩ 4.-3dB ±2dB1.5/80KΩ
Record Output	1V/0dB
Quality control	Bass:10dB/Treble:10dB
Transmission distance	15~30M
Dimensions (L x W x H)	580 x 420 x 1100 mm
Weight	12.26Kg