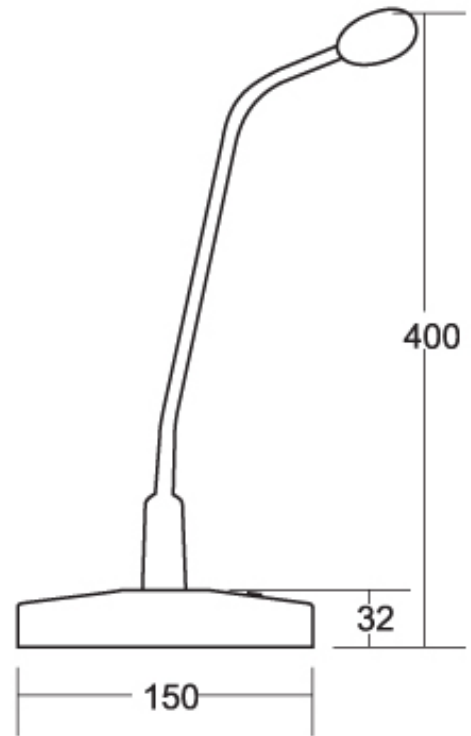




# Microphone

## T-621



### Specifications:

Model	T-621
Frequency response	50Hz-12KHz
Impedance	600Ω
Sensitivity	-63dB
Size	150 x 400mm
Weight	1.1Kg
Power supply	DC9V