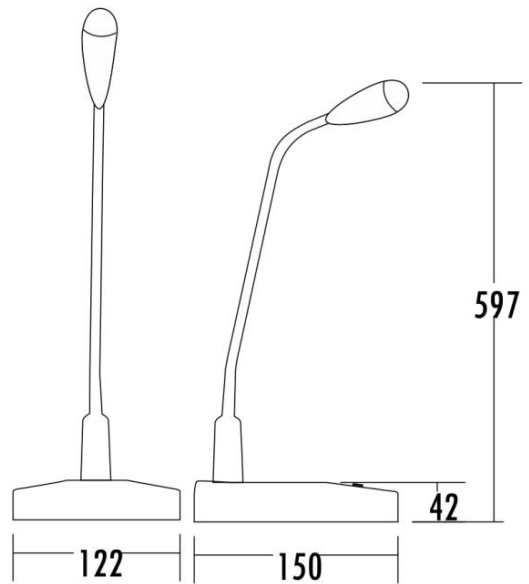




Microphone

T-511C



Specifications:

Model	T-511C
Frequency response	60-15KHz
Impedance	≤200Ω
Sensitivity	-47dB±3dB
Dimensions (L x W x H)	90 x 143 x 38mm
Weight	1.5Kg
Power supply	11~52V phantom power supply