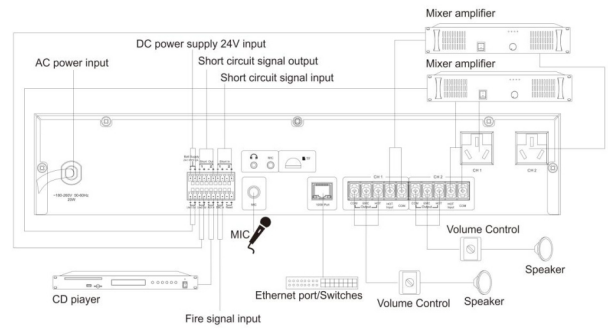




Rack-mount IP Network Audio Terminal

T-7801



Description:

Installed in rooms with low voltage or equipment rooms in each broadcast management area, you can connect two power amplifiers, mainly for program display and local broadcasting in halls, outdoor and other outdoor areas.

Features:

- Standard 19-inch rack-mount design, all-aluminum alloy industrial panel, 4.3-inch TFT true color LCD display, 21 industrial metal buttons, reserved infrared receiving function, convenient for long-distance control.
- Graphical volume adjustment interface, can adjust the volume of network programs, local MIC, local AUX.
- Real-time display of program playback, scheduled broadcast, equipment operation, IP address, MAC address and other status information, can stop program playback tasks with one click.
- The product is based on Luna cloud server, with extremely high security and excellent stability, supporting 7×24 hours of uninterrupted work.
- Rich network access methods, including DHCP automatic allocation access, ADSL smart dial-up access, fixed IP address access, etc.
- Integrated 24Bit professional-grade sound card, can achieve audiophile-level audio playback, the highest audio code stream 768kpbs.
- Built-in 8GByte SSD, support server remote management, support limited bandwidth background download or idle time automatic download function, reduce network burden, media library files can enable offline automatic playback function.
- Integrated USB and Micro SD (TF) card interface, supports up to 4T USB storage devices and 128G/SDXC cards, can realize local audio file playback, and can also freely play the content of the local USB and TF card and system media library to other terminals within the scope of authority.
- Built-in 2-way Line out independent audio output, realize external power amplifier amplification; support standard headset interface, realize audio monitoring, headset microphone amplification, etc.
- 1-way AUX audio input, 1 group MIC input, 1-way EMC emergency input, built-in digital preamplifier, support user-defined priority level; 1-way monitoring MIC, realize equipment self-test, work environment monitoring and on-duty personnel assessment, etc.
- 2-way short-circuit output, 2-way short-circuit input, support flexible custom functions, can realize short-circuit collection, alarm triggering, and realize the linkage application of third-party equipment and platforms such as electronic door locks, fire protection, and monitoring.
- 2-way 2200W high-power amplifier power interface, with intelligent power management function, automatically cut off the output power when there is no program playing or broadcasting, to achieve energy saving and protection, with programmed pre-power function.
- Support intelligent power saving and pre-power management to achieve system energy saving and ensure reliable and stable operation of controlled equipment.
- 14.2-way three-wire audio control forced cutting interface, no need for DC24V forced cutting power supply, unlimited number of audio controls.
- The panel is equipped with a monitoring microphone to realize remote network environment monitoring, and the monitoring audio is recorded and stored synchronously.
- Support short-circuit trigger custom execution task function, which can realize local media playback, local receiving channel broadcast, fire alarm, recording, text messaging, email sending, pop-up window reminder.
- Support protocols: TCP/IP, UDP, IGMP (multicast), IETF SIP, audio formats: MP3, WMA, WAV.
- Support short-circuit recovery function to facilitate system maintenance and management to the greatest extent.
- Support multiple users to switch logins and customize user function usage permissions.
- Support system background WEB to view device status and manage device information.
- Mains wide voltage power supply + DC24V backup power supply with zero switching time provides the best energy supply for the terminal to work 7×24 hours.
- Support broadcast system to remotely upgrade the terminal firmware, without the need to upgrade locally at the terminal, reducing the workload of maintenance personnel.

Specification:

Model	T-7801
Network Interface	Standard RJ45 input
Transmission Rate	100Mbps
Protocol Support	TCP/IP,UDP,IGMP(multicast), IETF SIP
Audio Format	Mp3, WMA, WAV
Audio Mode	16 bit CD quality
Sampling rate	8K~48K
AUX Input	1 group
AUX Sensitivity	350mV
EMC Input	1 group
EMC Sensitivity	775mV
Local MIC Input	1 group(Optional front TRS interface or rear pane ITRS interface or 3.5mm input)
Local MIC Sensitivity	TRS interface 5mV, 3.5mm interface 10mV
Line Output	2 group
Line Output Level/Impedance	1000mV/470Ω
Earphone Output Connector	3.5mm interface
Earphone Load	32Ω
MIC Monitor MIC	1 group
Sensitivity of The Monitor MIC	10mV
USB	Maximum support 4T USB device; loading <0.1A
SD	Maximum support 128G / SDXC card
Power Consumption	20W
Standby Power Consumption	<10W
Frequency Response	80Hz~16KHz -3dB/+1dB
THD	≤0.3%
SNR	>65dB
Short-circuit Input	0V/3.3V, Support dry contact input
Short-circuit Output	Maximum 1A/30VDC dry contact output
Working Temperature	5°C~40°C
Working Humidity	20%~80% Relative humidity, without condensation
Working Voltage	~190-240V 50-60Hz; DC24V/2A
Size	484×327.5×88mm
Weight	4.6Kg