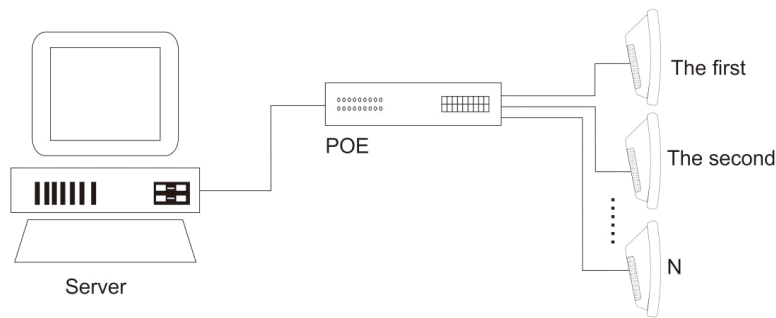




POE Wall Mount Speaker

T-S7608



Product Introduction:

Professional integrated wall-mounted IP network audio decoding speaker with POE power supply, suitable for high-end office buildings, prisons, banks, VIP rooms and other public broadcasting places requiring simplified wiring.

Features:

- * The equipment is designed with embedded computer technology and DSP audio processing technology.
- * Built-in 1-channel network hardware audio decoding module, supports TCP/IP, UDP protocol, realizes the network transmission of 16-bit CD audio signal.
- * Supporting POE (IEEE 802.3af) power supply mode, only one network cable is needed to connect to POE switch, so the operation is simple and convenient.
- * Equipped with DC 24V standby power interface, it is suitable for power supply when power demand is greater than 10W or for non-POE network.
- * Digital power amplifier with intelligent gain adjustment, adaptive power supply and automatic power adjustment is always in the state of performance optimization and efficiency maximization.
- * Full-band, high-sensitivity amplifier unit with abundant power and high fidelity.
- * Compatible with any network architecture such as router, switch, bridge gateway, Modem, Internet, 2G, 3G, 4G, etc.
- * Supports the broadcasting system to upgrade the terminal firmware remotely, without upgrading to the terminal locally, so as to reduce the work intensity of maintenance.
- * Supports infrared remote control playback function in local IP address.

Specifications:

Model	T-S7608
Power Supply	POE power supply
Power waste	12W
Network interface	RJ45
Transmission speed	10/100Mbps
Support agreement	TCP/IP, UDP
Audio format	MP3
Audio mode	16-bit CD sound quality
Sampling rate	8KHz~48KHz
Bit rate	8Kbps~512Kbps
Rated power	8W
peak power	10W
Horn sensitivity	92dB
Frequency response	130Hz~16KHz (+1/-3dB)
Harmonic distortion	≤1%
Signal-to-noise ratio	≥70dB
Size	200mm×105×276mm
Weight	1.0Kg