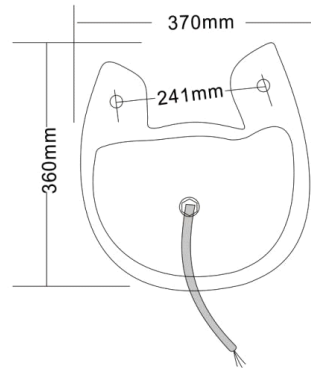




Garden Speaker

VA-900

Material: Organic Resin



Due to the continuous product updating, the color and dimension of the products are subject to the actual product. The following specifications are for reference only.

Specifications:

Model	VA-900
Rated Power(100V)	15W, 30W
Frequency Response	120-15KHz
Sensitivity	95dB
Maximum sound pressure level	110dB
Speaker Unit	6.5"
IP Level	IP66
Installation Size(mm)	241mm
Weight	7.18kg
Product Size(mm)	370x360x465mm