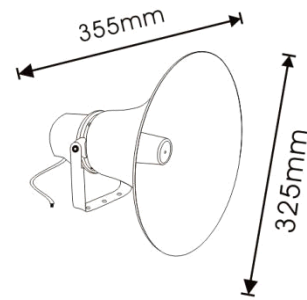
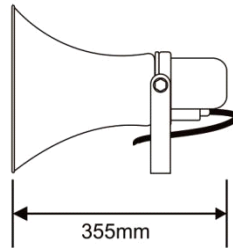
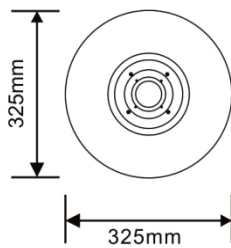




Horn Speaker

VA-720K



* All aluminum alloy structure, stainless steel bracket, wide frequency range waterproof speaker, strong sound penetration and wide coverage.
* Application: square, train station, etc.

Specifications:

Model	VA-720K
Rated Power(100V)	25W, 50W
Rated Power(70V)	12.5W, 25W
Maximum Power	100W
Impedance	Black: Com Green: 400Ω White: 200Ω
Frequency Response	300-14KHz
Sensitivity	104dB ±3dB
IP Level	IP66
Dimension	325 x 325 x 355mm
Weight	3.1Kg