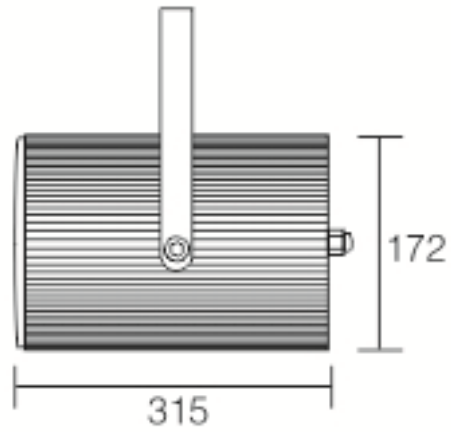




Fireproof Outdoor Projection Speaker

VA-570

Material: Aluminum Alloy



* Build in straight horn, aluminum alloy structure, anti-rust and anti-corrosion, it can adjust angle arbitrarily and choose multi-power. Suitable for station such as railway station, bus station, etc.

Specifications:

Model	VA-570
Power Taps @100V	7.5W, 15W
Power Taps @70V	3.75W, 7.5W
Impedance	Black: COM White: 1.3KΩ Green:670Ω
SPL(1W/1M)	100dB
Max. SPL (Rated W/1M)	112dB
Frequency Response (-10dB)	250-14KHz
Speaker Driver	6" x 1
IP Level	IP x 6
Dimension	172 x 315mm
Weight	2.7Kg
Equipment	Mounting bracket and fixing screws