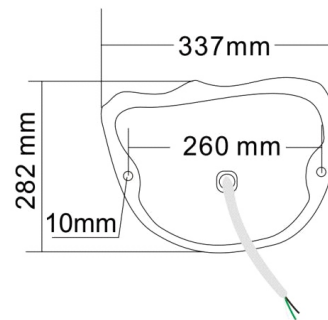
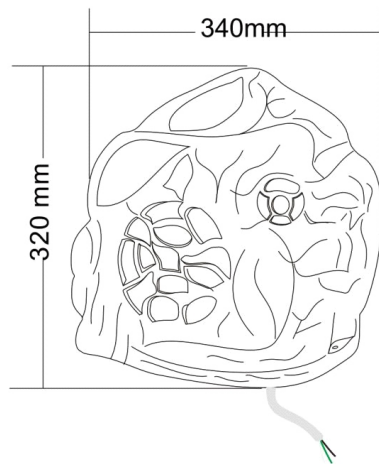




Garden Speaker

VA-300A

Material: Organic Resin



Note:

Due to the continuous product updating, the color and dimension of the products are subject to the actual product. The following specifications are for reference only.

Specifications:

Model	VA-300A
Rated Power(100V)	25W, 50W
Frequency Response	120-15KHz
Sensitivity	95dB
Maximum sound pressure level	112dB
Speaker Unit	6.5"
IP Level	IP66
Installation Size	260mm
Weight	3.95Kg
Product Size	340x282x320mm