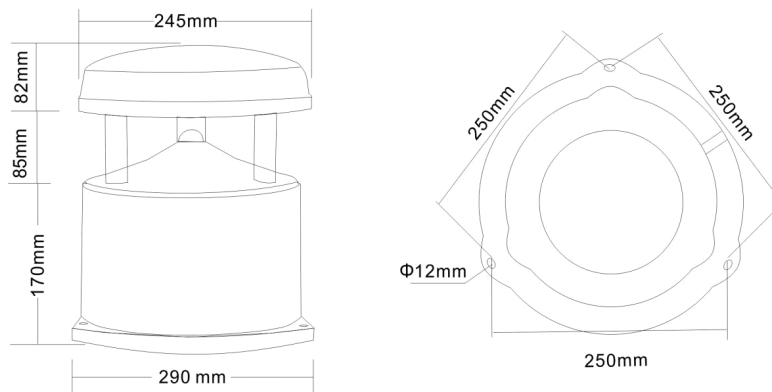




Garden Speaker

VA-1900

Material: Organic Resin



Note:

Due to the continuous product updating, the color and dimension of the products are subject to the actual product. The following specifications are for reference only.

Specifications:

Model	VA-1900
Rated Power(100V)	15W, 30W
Rated Power(70V)	7.5W, 15W
Frequency Response	120-15KHz
Sensitivity	95dB
Speaker Unit	6.5" +1.5"
IP Level	IP×6 waterproof
Installation Size	250 x 250 x 250mm
Weight	3.8Kg
Height(mm)	350 mm