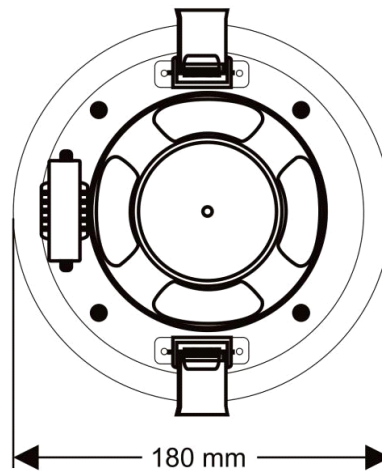
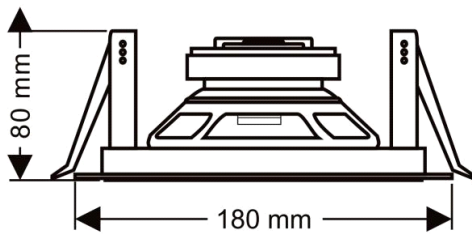
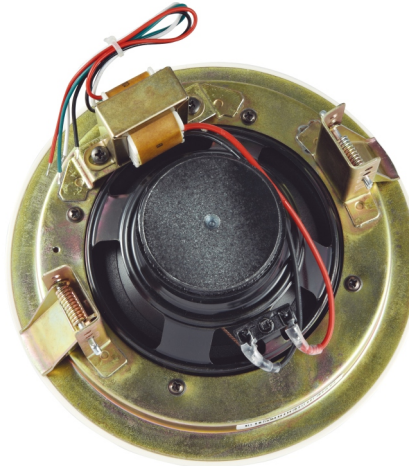




# Ceiling Speaker

## VA-105G



### Feature:

\* High quality ceiling speaker, plastic pattern net cover, full audio multi-power selection, spring presser foot system, convenient for user installation.

### Specifications:

Model	VA-105G
Rated Power(100V)	1.5W, 3W, 6W
Rated Power(70V)	0.75W, 1.5W, 3W
Impedance	Black: Com Red: 6.7KΩ/ Green: 3.3KΩ/ White: 1.7 KΩ
Sensitivity(1W/1M)	90dB
Maximum Sensitivity(W/1M)	98dB
Frequency Response(-10dB)	110-16KHz
Speaker Unit	5" x 1
Cutout Size	157mm
Dimension	180 x 80mm
Weight	0.9Kg