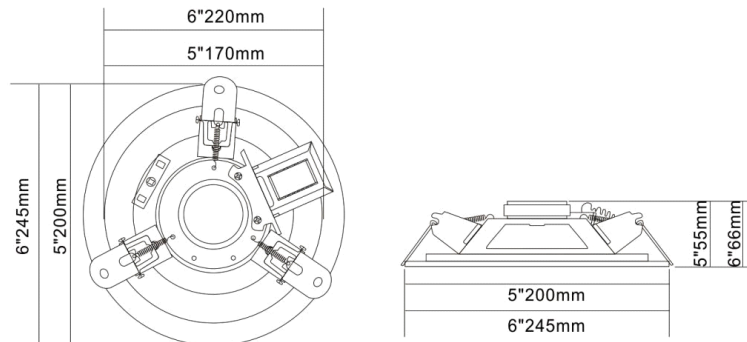
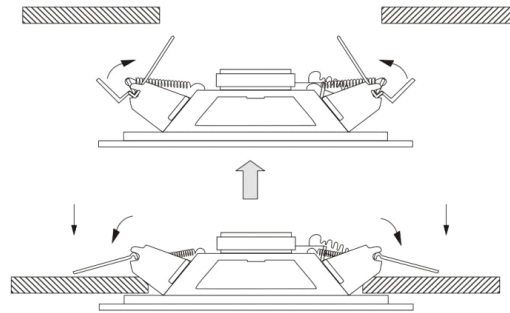
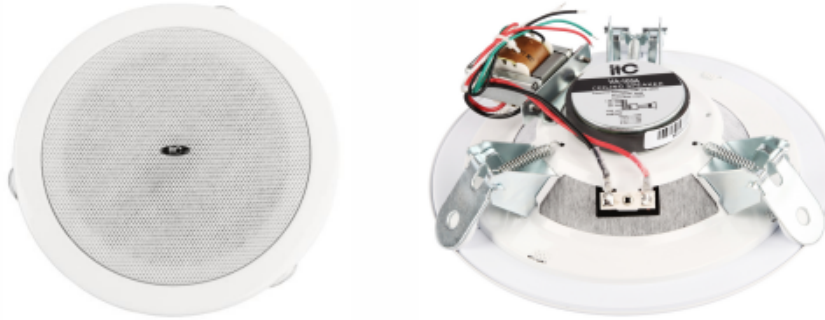




# Ceiling Speaker

## VA-105A

Material: iron cover + aluminum mesh



### Feature:

\* Coaxial tweeter design, strong spring fixing, convenient and simple installation.

### Specifications:

Model	VA-105A
Rated Power(100V)	1.5W, 3W, 6W
Rated Power(70V)	0.75W, 1.5W, 3W
Impedance	Com: Red: 6.7KΩ/Green: 3.3KΩ/White: 1.7KΩ
Sensitivity(1W/1M)	94dB
Maximum Sensitivity(W/1M)	102dB
Frequency Response(-10dB)	110-18KHz
Speaker Unit	5" x 1 1.5" x 1
Cutout Size	170mm
Dimension	200 x 65mm
Weight	0.8Kg