



PRODUCT MANUAL

BUILD A WORLD-CLASS BRAND

* Specifications are subject to change without notice.



Guangdong Baolun Electronics Co., Ltd

Add: Building A13-1 Yiku Industrial Park, The Hills,
Dognyi Road Panyu District Guangzhou China 511492
Tel: +86-20-34549655, 84593197, 31104730, 31104729
Fax: +86-20-84548799 Website: www.itctech.com.cn
E-mail: info@itc-pa.com.cn



CONTENTS

P3
PAR Light

P60
LED Flood Light

P110
Laser Light

P121
Pattern Light

P143
Starry Sky Light

P160
Interactive projector

P23
Moving Head Beam Light

P75
LED Studio Light

P116
Special Effects Light

P133
Water Effect Light

P146
Effect Light

P176
Stage Effect Fogger

PARR Light





54*3W PAR Light

TL-SL201



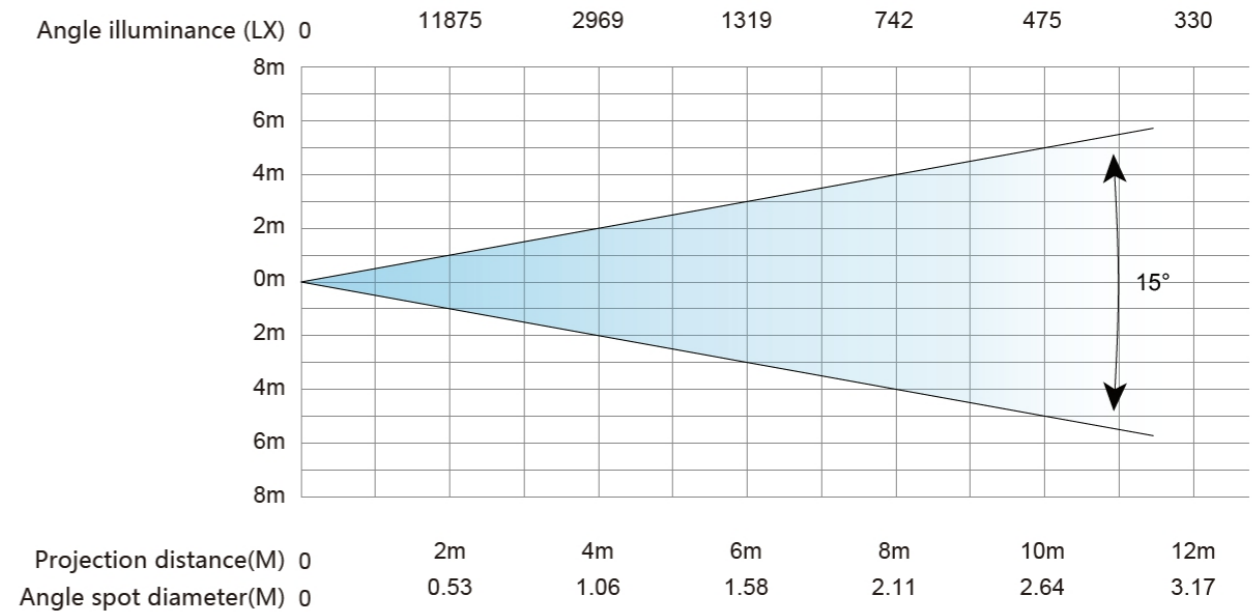
Features

1. Stroboscopic: independent electronic stroboscopic 1-25Hz.
2. Color mixing: RGB (red, green, blue and white) linear color mixing, 16.7 million colors (0-100% saturation adjustable), built-in macro function.
3. Electronic dimming: 0-100% independent electronic linear dimming, camera video is true without flicker, master slave self travel automatic synchronization function, and the console normally controls self travel permanent synchronization.
4. LCD menu: call various scenarios, and the built-in program can be directly called and executed.
5. Lamp connection: three core signal line IN/OUT power line IN/OUT.
6. Features: cast aluminum shell, high light efficiency, uniform light mixing, stable performance, equipped with a 1.3-meter long power supply and signal line with one in and one out handle.
7. Sound control sensitivity: 65-130dB.
8. Over temperature protection function: NTC temperature control and measurement function is built-in, which can intelligently reduce the output power of LED when it is overheated.

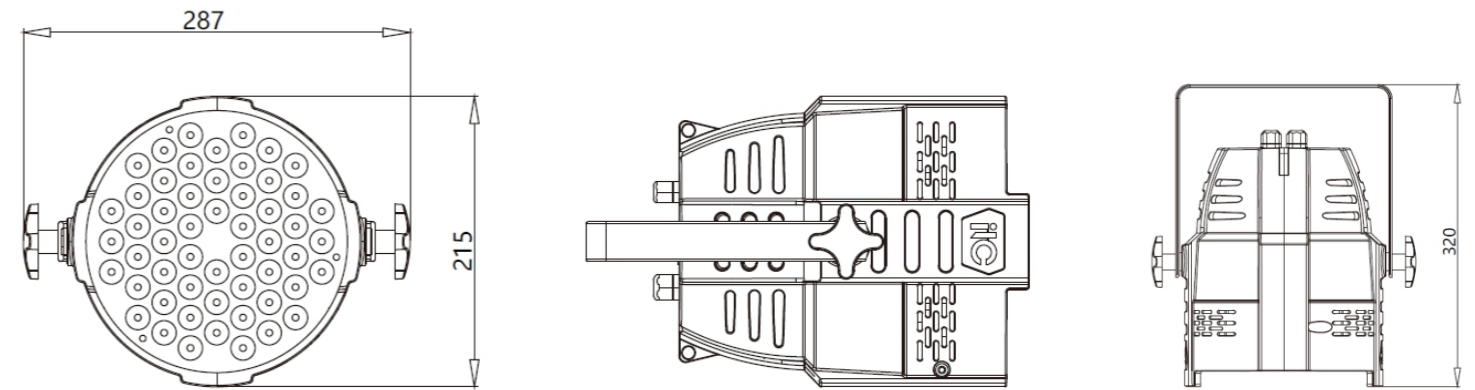
Specification

Input voltage	AC 110-240V 50/60Hz, 165W
Light source	54 × 3W LED(R14G14B14W12)
Average life	50000H
Color temperature	3200K , 7200K linear adjustment
Lens angle	25 ° (15 ° , 45 ° optional)
Channel	4/8 channels
Control mode	multiple voice control, DMX512, built-in program self running, master-slave online mode, support RDM protocol and program online update function
Luminaire material	cast aluminum shell
Protection grade	fireproof V-1, protection Ip20
Lamp size (L × W × H)	287 × 215 × 320mm
Package size (L × W × H)	250 × 250 × 360mm
Gross weight	3.2kg
Net weight	2.8kg

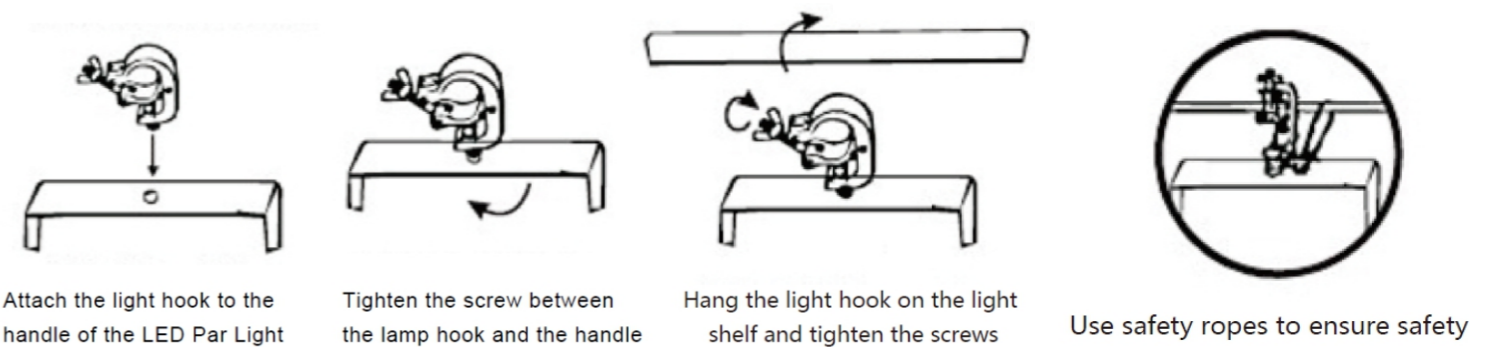
Light effect diagram



Dimension



Installation





54*3W PAR Light (Monochrome)

TL-SL202



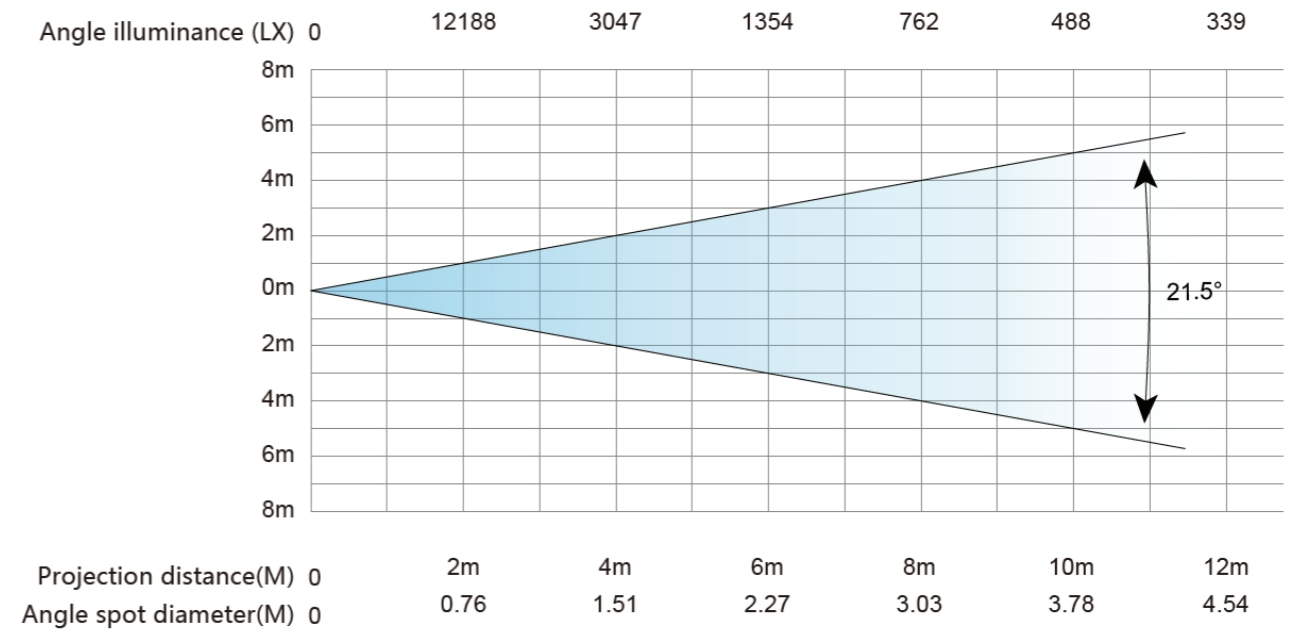
Features

1. Strobe: independent electronic strobe 1-25Hz.
2. Electronic dimming: 0-100% independent electronic linear dimming, camera video is true without flicker, master-slave self-walking automatic synchronization function, and the console controls self-walking permanent synchronization normally.
3. LCD display menu: call various scenarios, and the built-in program can be directly called for execution.
4. Lamp connection: three-core signal line IN/OUT power line IN/OUT.
5. Features: cast aluminum shell, high light efficiency, uniform light mixing, stable performance, equipped with a 1.3-meter long power and signal cable with a one-in and one-out handle.
6. Voice control sensitivity: 65-130dB.
7. Over-temperature protection function: built-in NTC temperature control function, when the LED is overheated, the output power of the LED will be intelligently reduced.

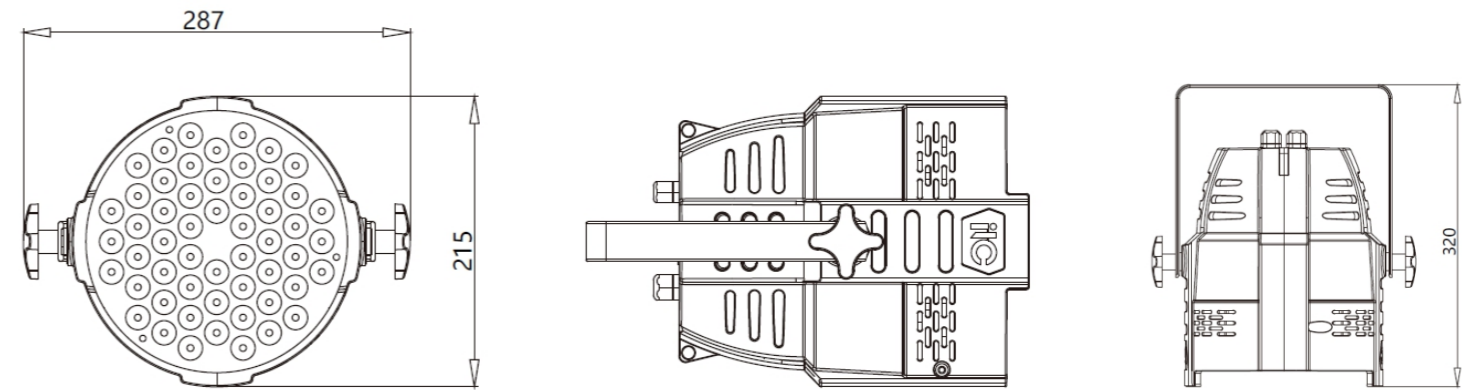
Specification

Input voltage	AC 110-240V 50/60Hz, 165W
Light source	54 × 3W LED(W54)
Average life	50000H
Color temperature	3200K
Lens angle	25° (15°, 45° optional)
Channel	2
Control mode	Multiple voice control modes, DMX512, built-in program self-running, master-slave online mode, support RDM protocol and program online update function
Lamp material	cast aluminum shell
Protection grade	fire protection V-1, protection Ip20
Lamp size (L × W × H)	287 × 215 × 320mm
Package size (L × W × H)	250 × 250 × 360mm
Gross weight	3.2kg
Net weight	2.8kg

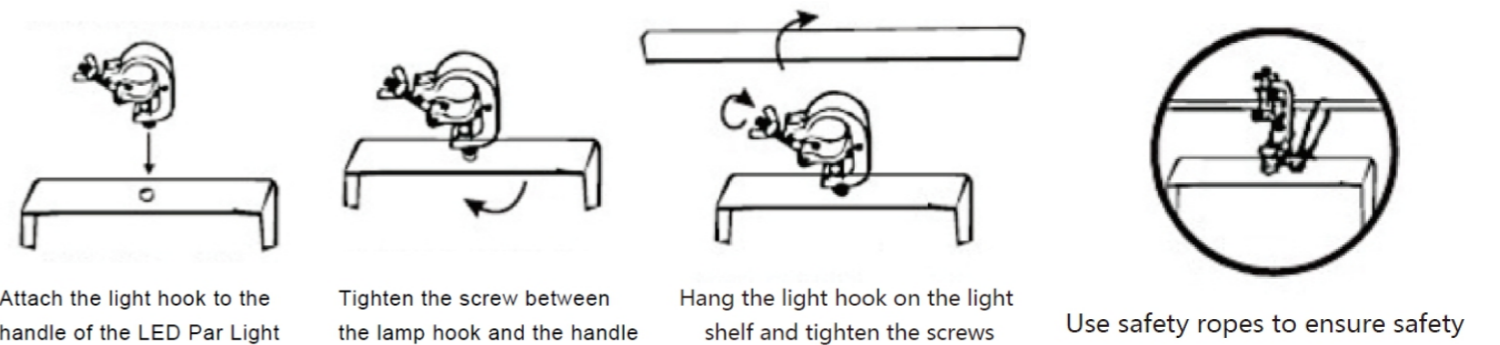
Light effect diagram



Dimension



Installation





54*3W PAR Light

TL-SL203



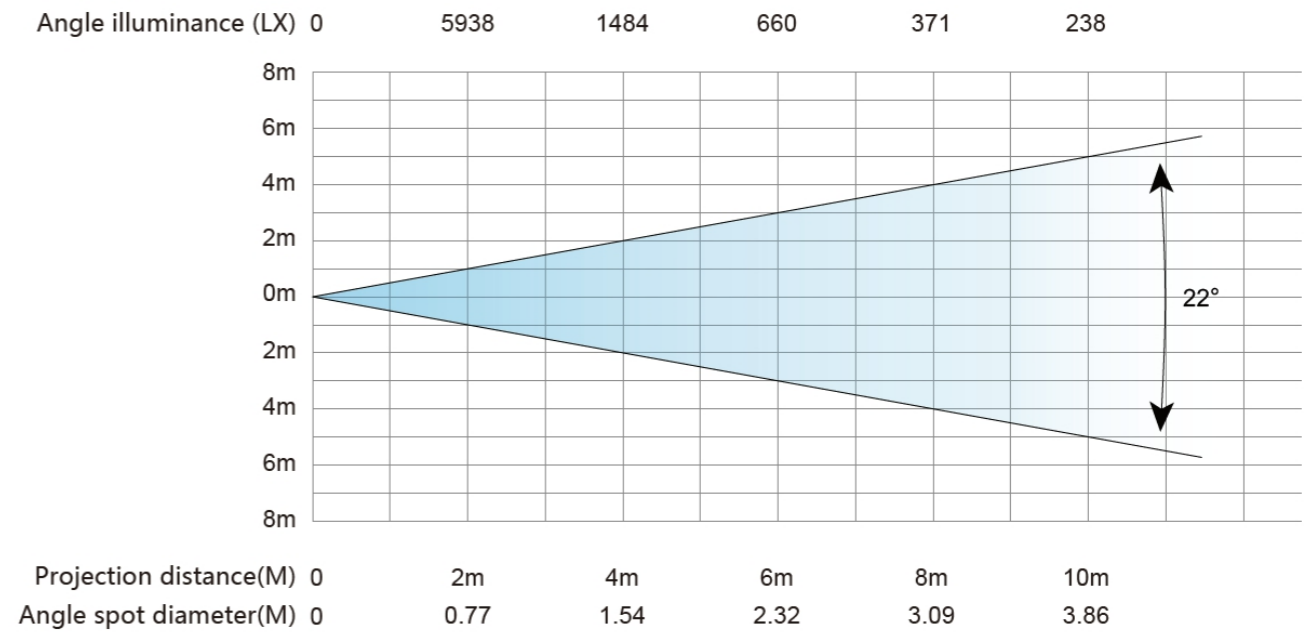
Features

1. Stroboscopic: independent electronic stroboscopic 1-25Hz.
2. Color mixing: RGB (red, green and blue) linear color mixing, 16.7 million colors (0-100% saturation adjustable), built-in macro function.
3. Electronic dimming: 0-100% independent electronic linear dimming, camera video is true without flicker, master slave self travel automatic synchronization function, and the console normally controls self travel permanent synchronization.
4. LCD menu: call various scenarios, and the built-in program can be directly called and executed.
5. Lamp connection: three core signal line IN/OUT power line IN/OUT.
6. Features: cast aluminum shell, high light efficiency, uniform light mixing, stable performance, equipped with a 1.3-meter long power supply and signal line with one in and one out handle.
7. Sound control sensitivity: 65-130dB.
8. Over temperature protection function: NTC temperature control and measurement function is built-in, which can intelligently reduce the output power of LED when it is overheated.

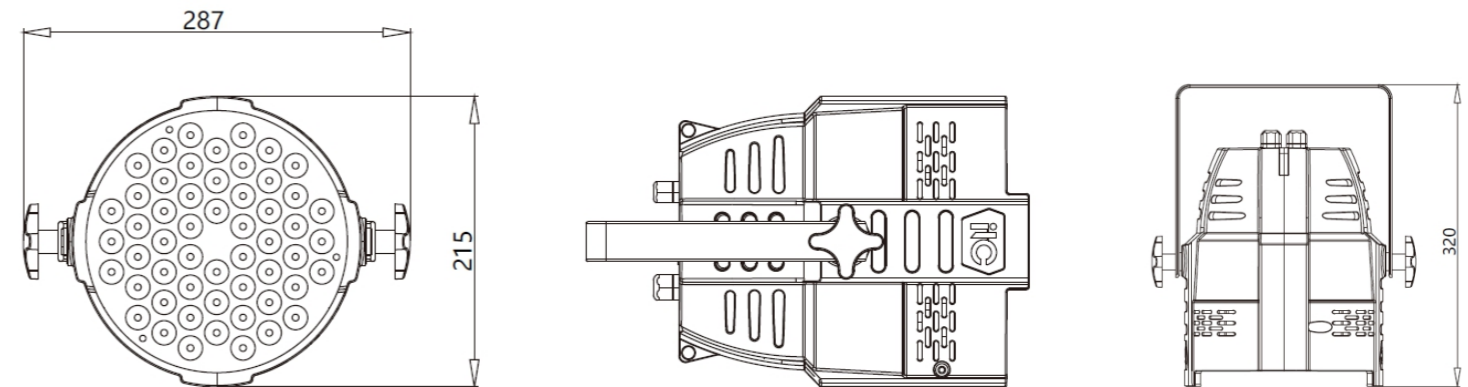
Specification

Input voltage	AC 110-240V 50/60Hz, 165W
Light source	54 × 3W LED(3IN1)
Average life	50000H
Color temperature	3200K , 7200K linear adjustment
Lens angle	25 ° (15 ° , 45 ° optional)
Channel	3/7 channels
Control mode	multiple voice control, DMX512, built-in program self running, master-slave online mode, support RDM protocol and program online update function
Luminaire material	cast aluminum shell
Protection grade	fireproof V-1, protection Ip20
Lamp size (L × W × H)	287 × 215 × 320mm
Package size (L × W × H)	250 × 250 × 360mm
Gross weight	3.2kg
Net weight	2.8kg

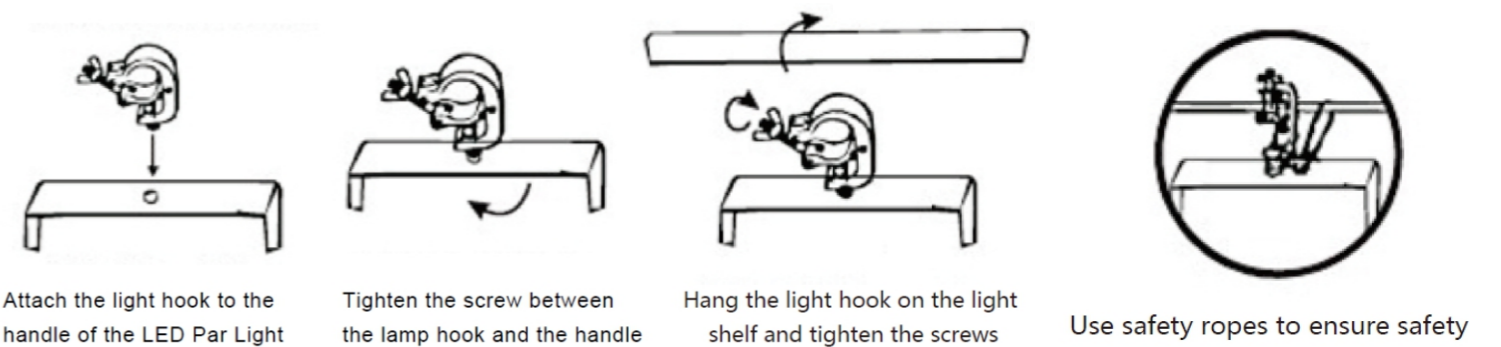
Light effect diagram



Dimension



Installation





18*10W PAR Light

TL-SL204



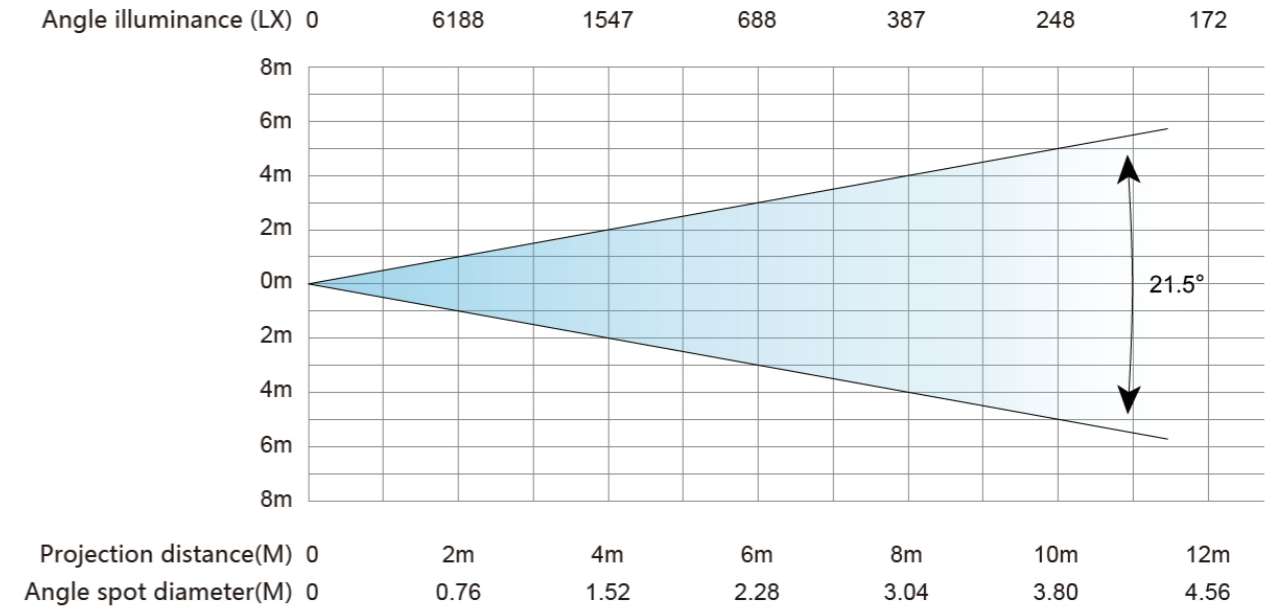
Features

1. Strobe: independent electronic strobe 1-25Hz.
2. Color mixing: RGBW (red, green, blue and white) linear color mixing, 16.7 million colors (0-100% saturation adjustment), and built-in macro function.
3. Electronic dimming: 0-100% independent electronic linear dimming, lifelike and flicker-free camera video, the master-slave self-propelled automatic synchronization function, and the console normally controls the self-propelled permanent synchronization.
4. LCD menu: invoke various scenes; built-in programs can be directly invoked and executed.
5. Fixture connection: three-core signal line IN/OUT and power line IN/OUT.
6. Cast aluminum housing, high luminous efficiency, uniform light mixing, and stable performance; equipped with a 1.3m hand-in-hand power line and signal line of 1 in and 1 out.
7. Voice control sensitivity: 65-130dB.
8. Over-temperature protection function: built-in NTC temperature control function; when the LED is overheated, the output power will be intelligently reduced.

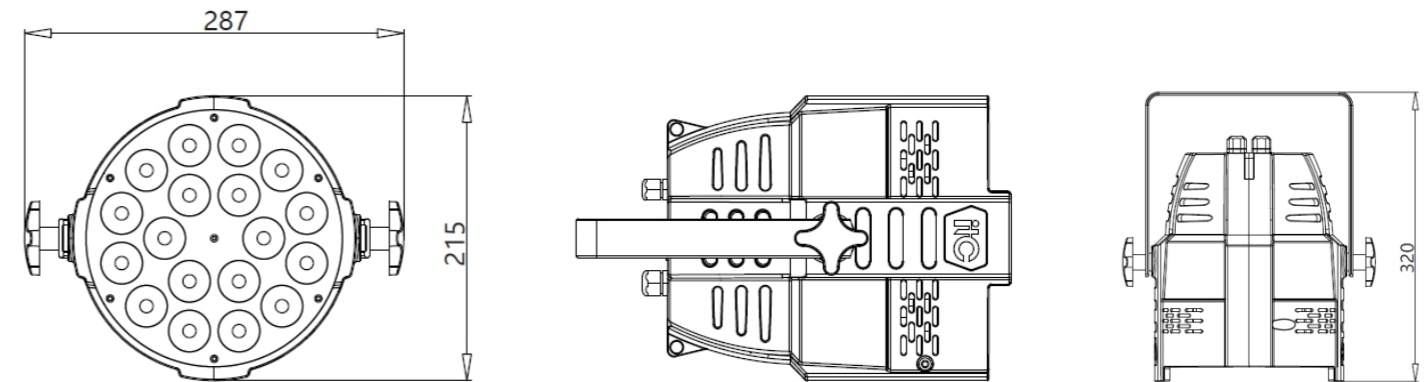
Specification

Input voltage	AC 110-240V 50/60Hz, 130W
Light source	18*10W LED(4IN1)
Average life	50000H
Color temperature	3200K~7200K linear adjustment
Lens angle	25° (15°, 45° optional)
Channel	4/8 channels
Control mode	Multiple voice control, DMX512, built-in self-propelled program, master-slave online mode, support RDM protocol and program online update function
Luminaire material	Cast aluminum housing
Protection grade	Fireproof V-1, protection Ip20
Lamp size (L x W x H)	287*215*320mm
Package size (L x W x H)	250*250*360mm
Gross weight	3.6kg
Net weight	3.2kg

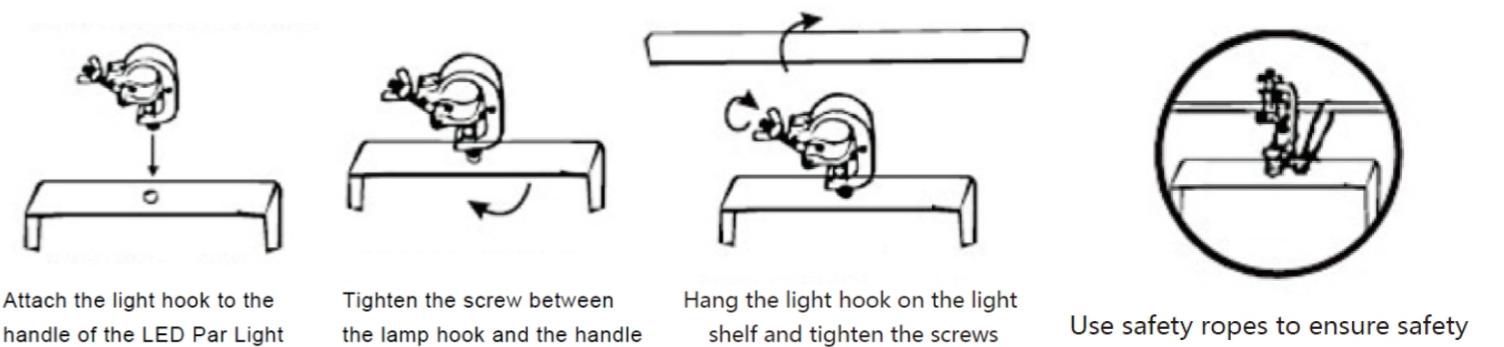
Light effect diagram



Dimension



Installation





18*10W PAR Light

TL-SL205



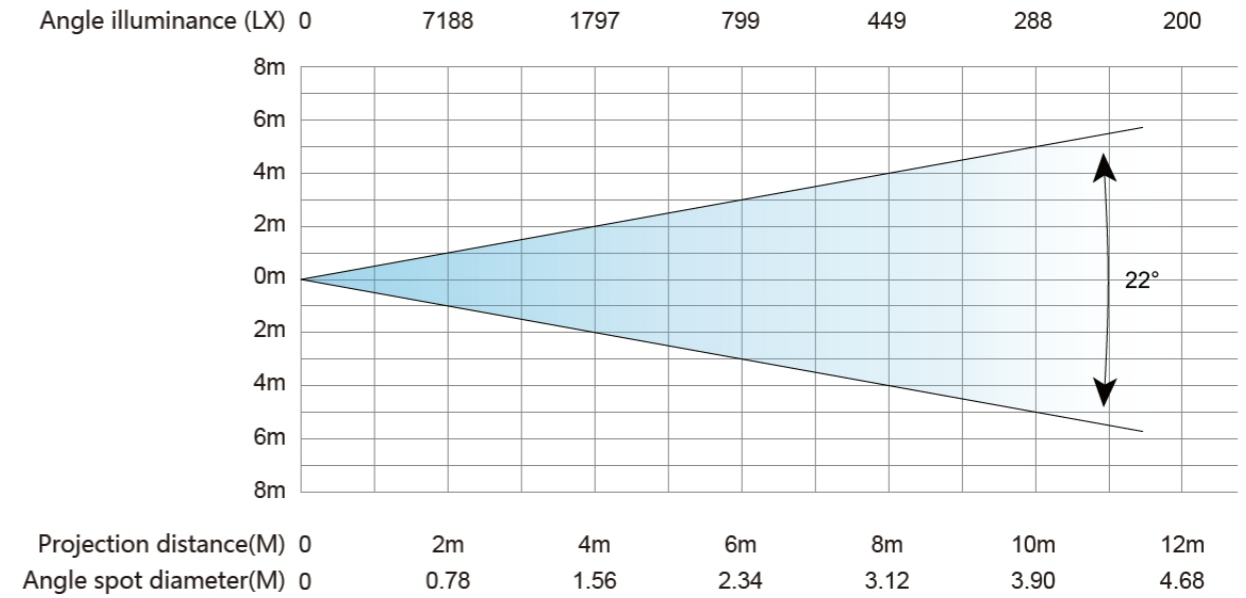
Features

1. Strobe: independent electronic strobe 1-25Hz.
2. Color mixing: RGBWAP (red, green, blue, white, amber and purple) linear color mixing, 16.7 million colors (0-100% saturation adjustable), built-in macro function.
3. Electronic dimming: 0-100% independent electronic linear dimming, camera video is true without flicker, master-slave self-walking automatic synchronization function, and the console controls self-walking permanent synchronization normally.
4. LCD display menu: call various scenarios, and the built-in program can be directly called for execution.
5. Lamp connection: three-core signal line IN/OUT power line IN/OUT.
6. Features: cast aluminum shell, high light efficiency, uniform light mixing, stable performance, equipped with a 1.3-meter long power and signal cable with a one-in and one-out handle.
7. Voice control sensitivity: 65-130dB.
8. Overtemperature protection function: built-in NTC temperature control function, when the LED is overheated, the output power of the LED will be intelligently reduced.

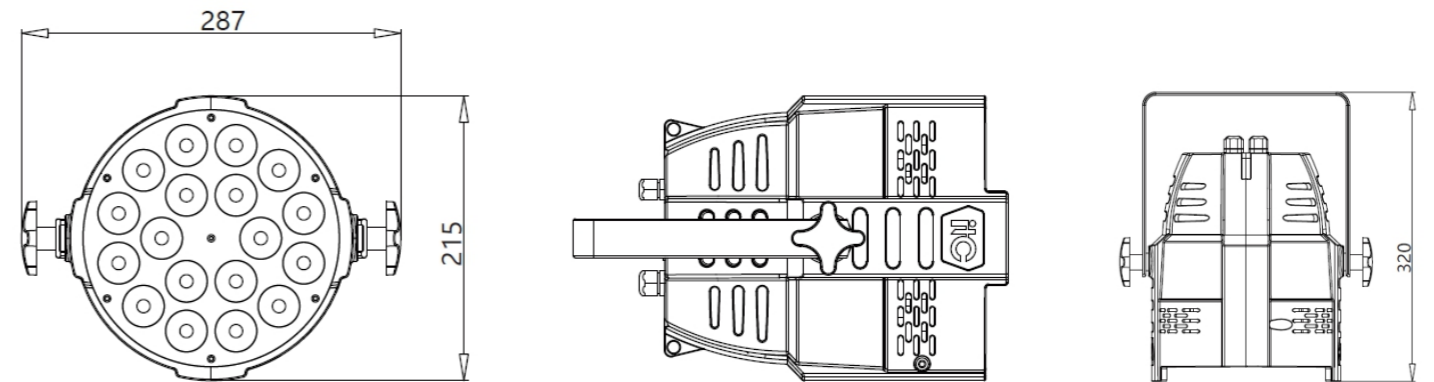
Specification

Input voltage	AC 110-240V 50/60Hz, 180W
Light source	18 × 10W LED(6IN1)
Average life	50000H
Color temperature	3200K ~7200K linear adjustment
Lens angle	25 ° (15 °, 45 ° optional)
Channel	6/10 channels
Control mode	multiple voice control, DMX512, built-in program self-running, master-slave online mode, support RDM protocol and program online update function
Luminaire material	cast aluminum shell
Protection grade	fire protection V-1, protection Ip20
Lamp size (L × W × H)	287×215×320mm
Package size (L × W × H)	250×250×360mm
Gross weight	3.6kg
Net weight	3.2kg

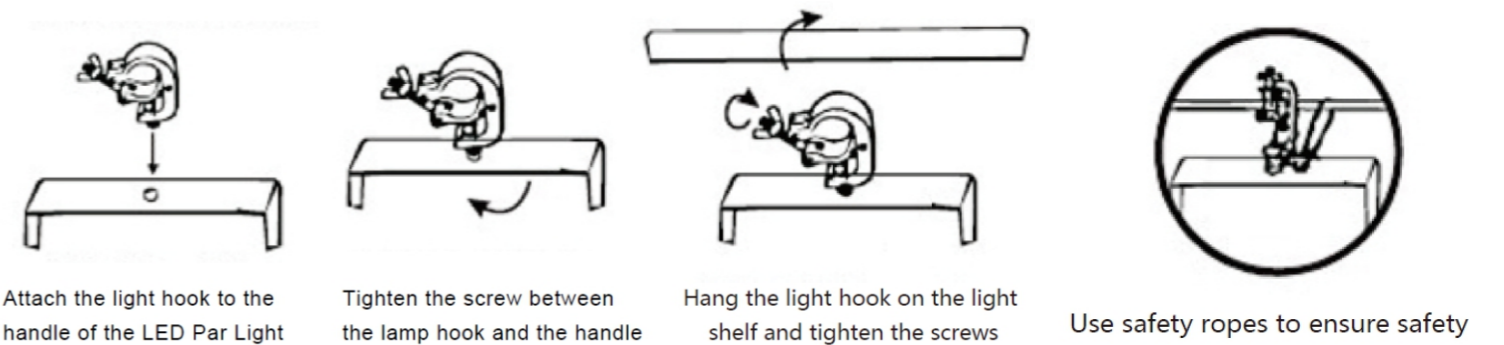
Light effect diagram



Dimension



Installation





90*3W PAR Light

TL-SL206



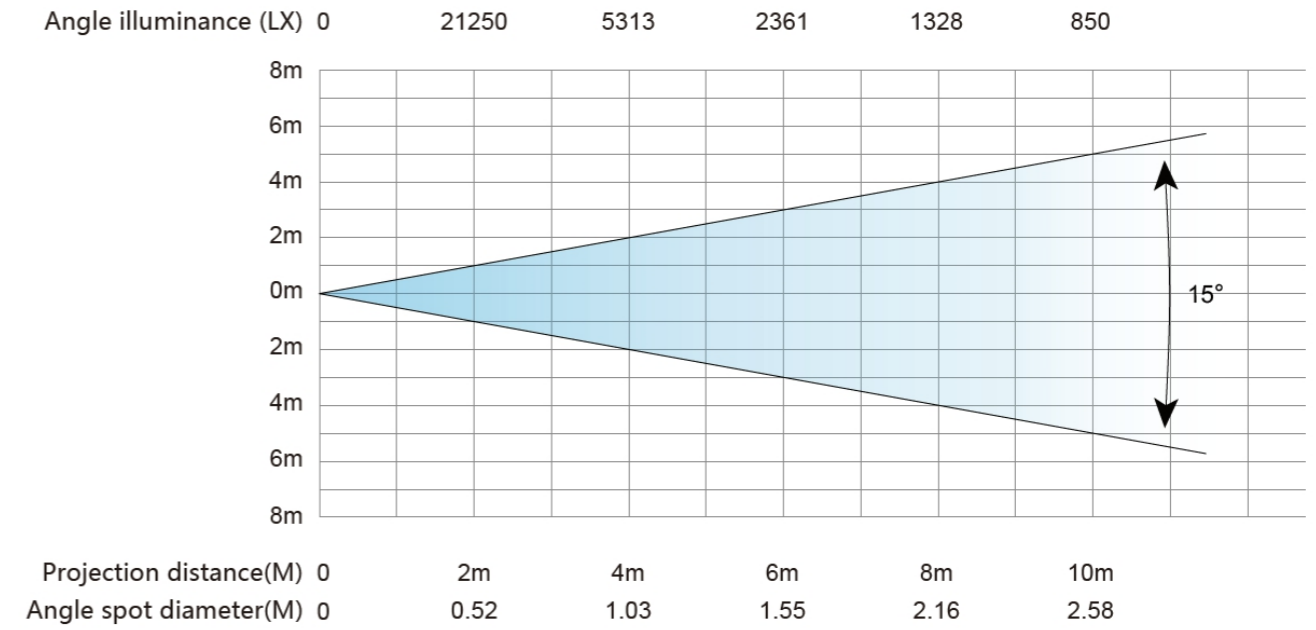
Features

1. Strobe: independent electronic strobe 1-25Hz.
2. Color mixing: RGBW (red, green, blue and white) linear color mixing, 16.7 million colors (0-100% saturation adjustment), and built-in macro function.
3. Electronic dimming: 0-100% independent electronic linear dimming, lifelike and flicker-free camera video, the master-slave self-propelled automatic synchronization function, and the console normally controls the self-propelled permanent synchronization.
4. LCD menu: invoke various scenes; built-in programs can be directly invoked and executed.
5. Fixture connection: three-core signal line IN/OUT and power line IN/OUT.
6. Cast aluminum housing, high luminous efficiency, uniform light mixing, and stable performance; equipped with a 1.3m hand-in-hand power line and signal line of 1 in and 1 out.
7. Voice control sensitivity: 65-130dB.
8. Over-temperature protection function: built-in NTC temperature control function; when the LED is overheated, the output power will be intelligently reduced.

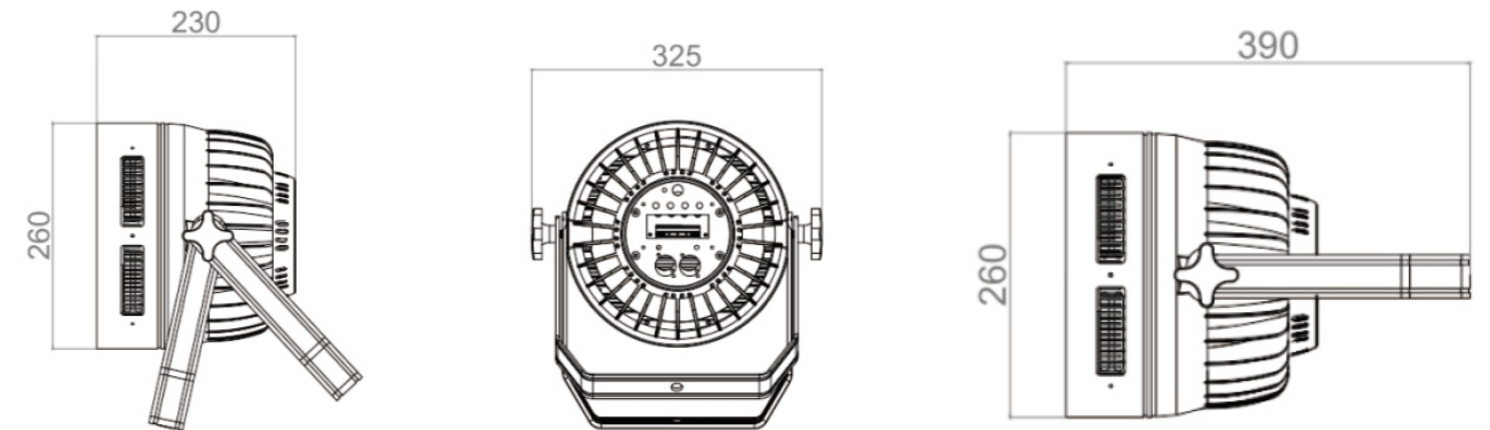
Specification

Input voltage	AC 110-240V 50/60Hz, 230W
Light source	90*3W LED (R24+G24+B24+W18)
Average life	50000H
Color temperature	3200K~7200K linear adjustment
Lens angle	25° (15°, 45° optional)
Channel	4/8/9 channels
Control mode	multiple voice control, DMX512, built-in self-propelled program, master-slave online mode, support RDM protocol and program online update function
Luminaire material	cast aluminum housing
Protection grade	fireproof V-1, protection Ip20
Lamp size (L x W x H)	325x265x390mm
Package size (L x W x H)	335x335x445mm
Gross weight	7.8kg
Net weight	6.7kg

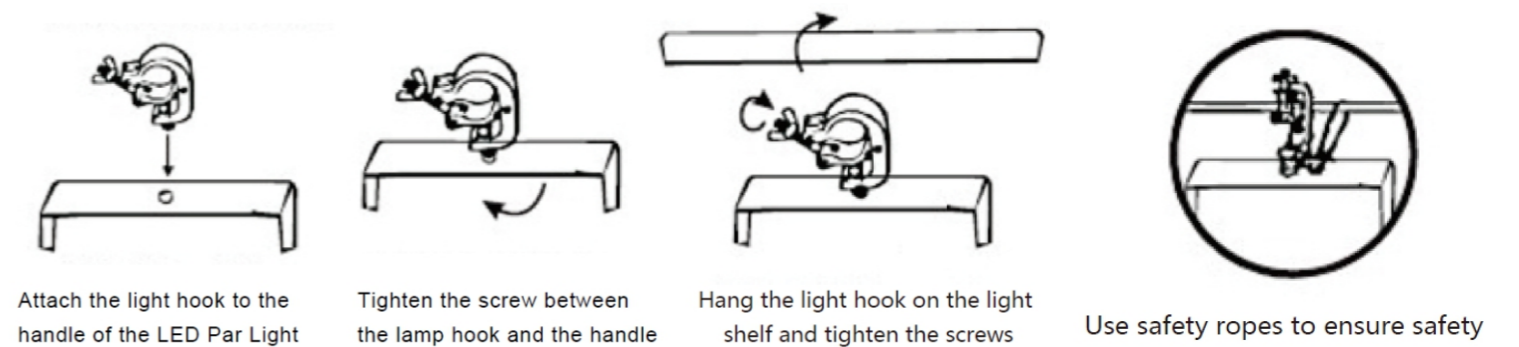
Light effect diagram



Dimension



Installation





120*3W PAR Light

TL-SL207



Safety instruction

Warning: danger of serious injury or death	Warning: consult the manual before installation, power on, or repair	Warning: fatal or serious electric shock hazard	Warning: fire	Warning: hot surface is dangerous to burn, do not touch	Warning: danger of eye injury, please wear goggles	Warning: danger of hand injury, please wear gloves
Only suitable for lights directly installed on the surface of non-combustible materials	Replace all shattered protective covers	Shortest distance from the illuminated object (m)	Rated maximum ambient temperature	Indoor use only	Do not point the lens towards the sun or strong light	Operation is not allowed during running

Features

1. Strobe: Independent electronic strobe 1-25Hz.
2. Color mixing: RGBW (red green blue white) linear color mixing, 16.7 million colors (0-100% saturation adjustable), built-in macro function.
3. Electronic dimming: 0-100% independent electronic linear dimming, real and flickerless camera video, master-slave automatic synchronization function, normal control of the control console for automatic synchronization.
4. LCD display menu: Call various scenarios, and built-in programs can be directly called and executed.
5. Lamp connection: Three core signal line IN/OUT power line IN/OUT.
6. Features: Cast aluminum shell, high light efficiency, uniform mixing of light, stable performance, equipped with a 1.3-meter long power and signal cable with one in one out handle.
7. Voice control sensitivity: 65-130dB. Product parameters:

Specification

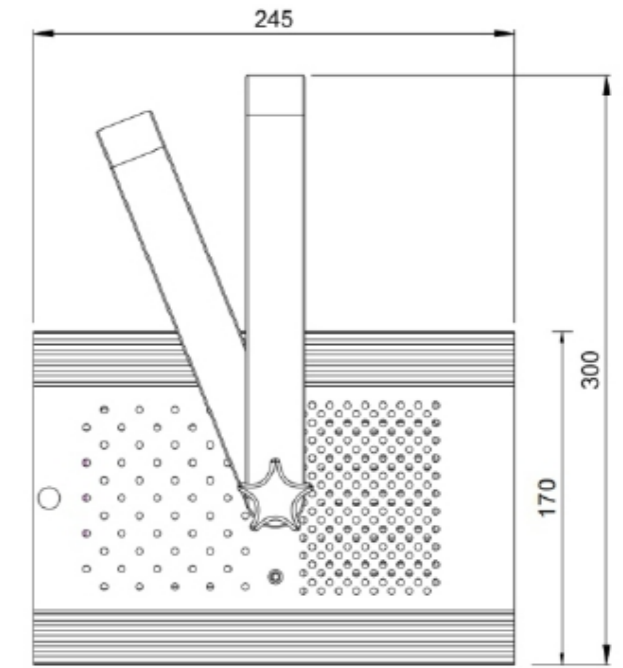
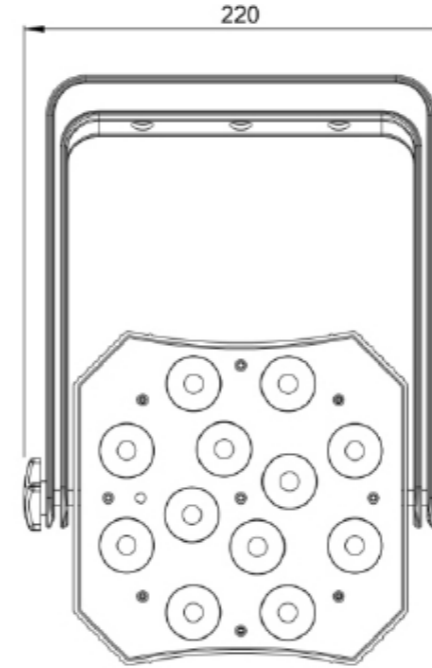
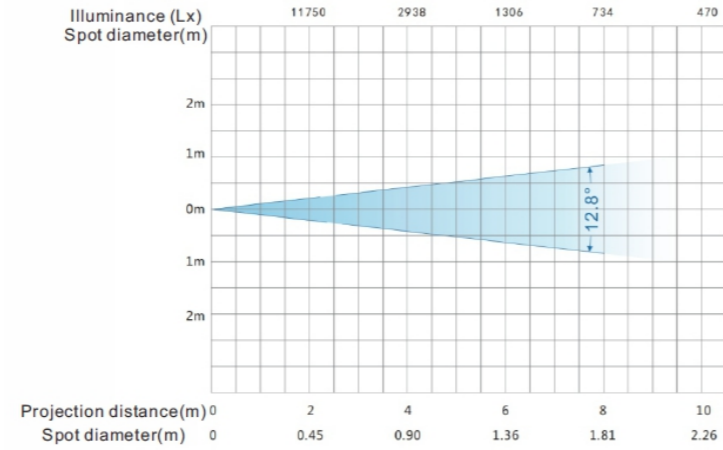
Input voltage	AC 110-240V 50/60Hz, 360W
Light source	120 × 3W LED (R30 G30 B30 W30)
Average life	50000H
Color temperature	3200K~7200 K linear adjustment
Lens angle	25° (15°, 45° optional)
Channel	4/8 channels
Control mode	multiple voice controls, DMX512, built-in program self running, master-slave online mode
Luminaire material	cast aluminum shell
Protection grade	fireproof V-1, protection Ip20
Lamp size (L × W × H)	325 × 260 × 290mm
Package size (L × W × H)	310 × 310 × 420mm
Gross weight	8kg
Net weight	7.5kg



12*20W PAR Light

TL-SL208

Dimension



Features

- * Strobe: independent electronic strobe 1-25Hz.
- * Color mixing: RGBW (red, green, blue and white) linear color mixing, 16.7 million colors (0-100% saturation adjustment), and built-in macro function.
- * Electronic dimming: 0-100% independent electronic linear dimming, lifelike and flicker-free camera video, the master-slave self-propelled automatic synchronization function, and the console normally controls the self-propelled permanent synchronization.
- * LCD menu: invoke various scenes; built-in programs can be directly invoked and executed.
- * Cast aluminum housing, high luminous efficiency, uniform light mixing, and stable performance; equipped with a 1.5m power line and signal line.
- * Fixture connection: three-core signal line IN/OUT and power line IN/OUT.
- * Voice control sensitivity: 65-130dB.
- * Over-temperature protection function: built-in NTC temperature control function; when the LED is overheated, the output power will be intelligently reduced.

Specification

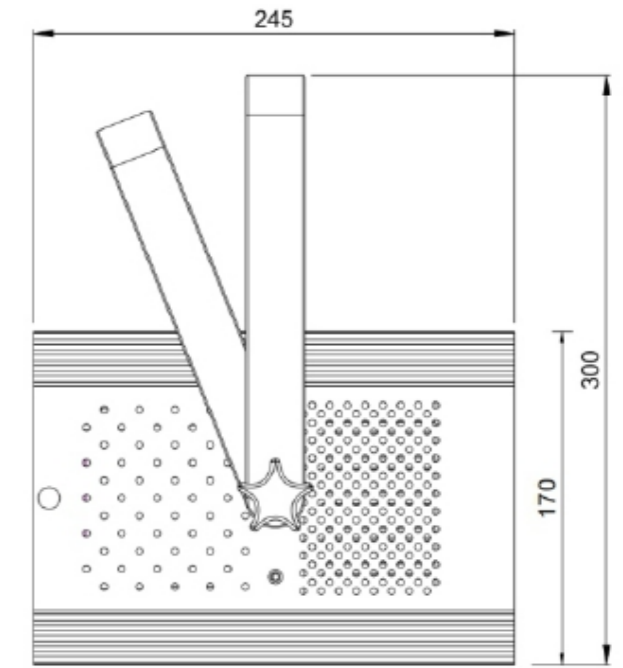
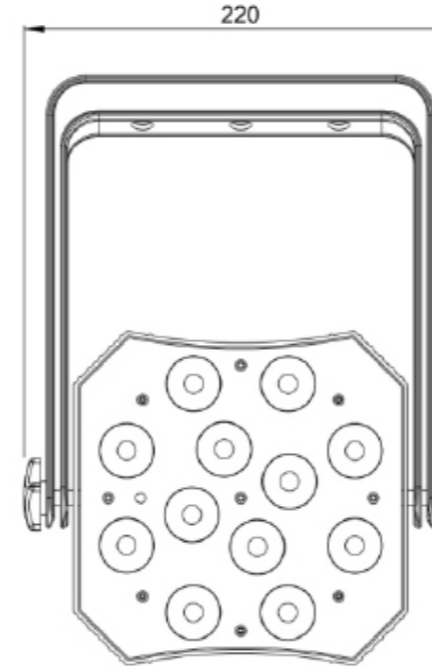
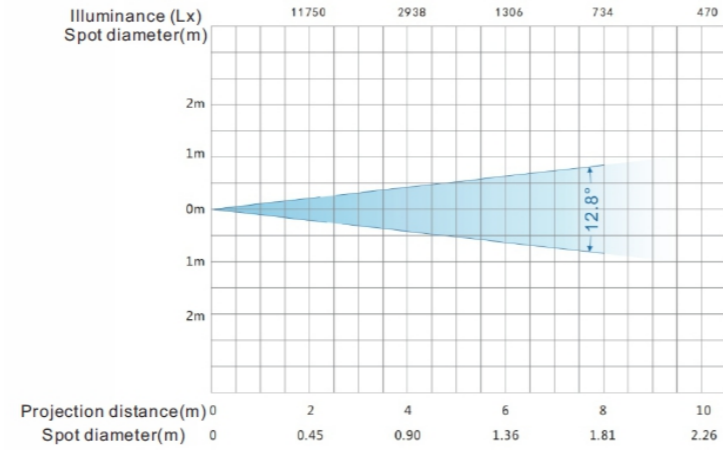
Input voltage	AC 110-240V 50/60Hz, 230W
Light source	12*20W LED(4IN1)
Average lifespan	50000H
Color temperature	3200K~7200K linear adjustment
Beam angle	17°
Control mode	Multiple voice control, DMX512, built-in self-propelled program, master-slave online mode, wireless module function, support RDM protocol and program online update function
Channel	4/8/9 channels
Fixture material	Cast aluminum housing
Protection class	Fireproof V-1, protection Ip20
Fixture size (L*W*H)	245*221*300mm
Package size (L*W*H)	420*285*235mm
Gross weight	4.7kg
Net weight	3.7kg



12*20W PAR Light

TL-SL208B

Dimension



Features

- * Strobe: independent electronic strobe 1-25Hz.
- * Color mixing: RGBW (red, green, blue and white) linear color mixing, 16.7 million colors (0-100% saturation adjustment), and built-in macro function.
- * Electronic dimming: 0-100% independent electronic linear dimming, lifelike and flicker-free camera video, the master-slave self-propelled automatic synchronization function, and the console normally controls the self-propelled permanent synchronization.
- * LCD menu: invoke various scenes; built-in programs can be directly invoked and executed.
- * Cast aluminum housing, high luminous efficiency, uniform light mixing, and stable performance; equipped with a 1.5m power line and signal line.
- * Fixture connection: three-core signal line IN/OUT and power line IN/OUT.
- * Voice control sensitivity: 65-130dB.
- * Over-temperature protection function: built-in NTC temperature control function; when the LED is overheated, the output power will be intelligently reduced.

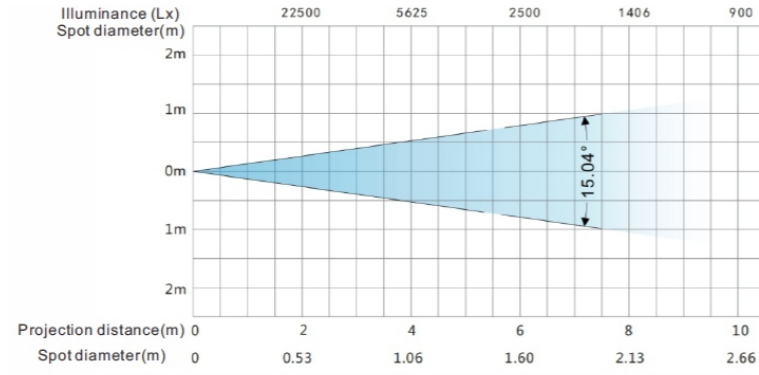
Specification

Input voltage	AC 110-240V 50/60Hz, 230W
Light source	12*20W LED(4IN1)
Average lifespan	50000H
Color temperature	3200K~7200K linear adjustment
Beam angle	17°
Control mode	Multiple voice control, DMX512, built-in self-propelled program, master-slave online mode, support RDM protocol and program online update function
Channel	4/8/9 channels
Fixture material	Cast aluminum housing
Protection class	Fireproof V-1, protection Ip20
Fixture size (L*W*H)	245*221*300mm
Package size (L*W*H)	420*285*235mm
Gross weight	4.7kg
Net weight	3.7kg

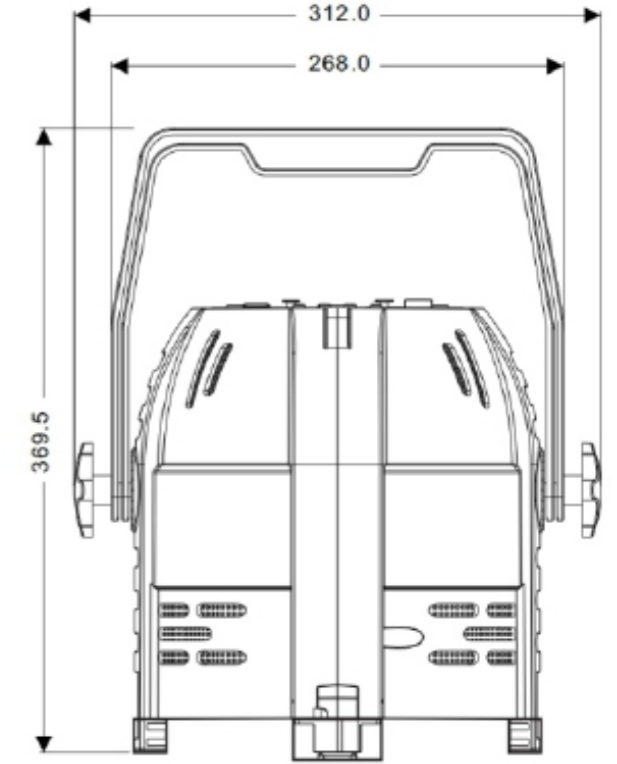
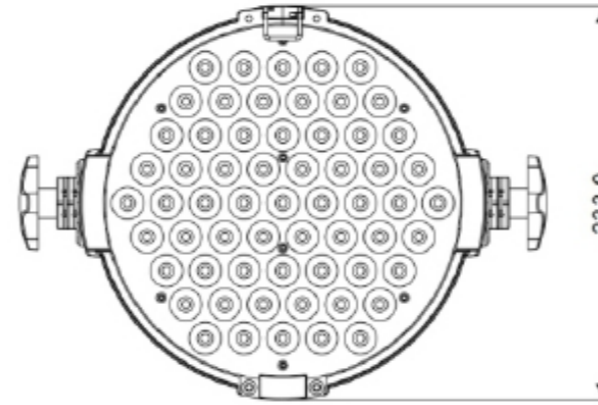


61*3W PAR Light

TL-SL209



Dimension



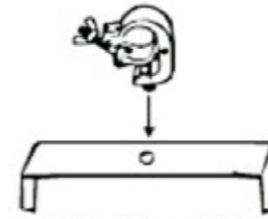
Features

- * Strobe: independent electronic strobe 1-25Hz.
- * Color mixing: RGBW (red, green, blue and white) linear color mixing, 16.7 million colors (0-100% saturation adjustment), and built-in macro function.
- * Electronic dimming: 0-100% independent electronic linear dimming, lifelike and flicker-free camera video, the master-slave self-propelled automatic synchronization function, and the console normally controls the self-propelled permanent synchronization.
- * LCD menu: invoke various scenes; built-in programs can be directly invoked and executed.
- * Cast aluminum housing, high luminous efficiency, uniform light mixing, and stable performance; equipped with a 2m power line and signal line.
- * Fixture connection: three-core signal line IN/OUT and power line IN/OUT.
- * Voice control sensitivity: 65-130dB.
- * Over-temperature protection function: built-in NTC temperature control function; when the LED is overheated, the output power will be intelligently reduced.

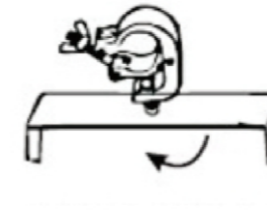
Specification

Input voltage	AC 110-240V 50/60Hz, 200W
Light source	61×3W LED(R13G16B16W16)
Average lifespan	50000H
Color temperature	3200K~7200K linear adjustment
Beam angle	25° (15°, 45° optional)
Control mode	Multiple voice control, DMX512, built-in self-propelled program, master-slave online mode, support RDM protocol and program online update function
Channel	4/6/8 channels
Fixture material	Cast aluminum housing
Protection class	Fireproof V-1, protection Ip30
Fixture size (L×W×H)	312×233×368mm
Package size (L×W×H)	290×290×420mm
Gross weight	5.8kg
Net weight	4.8kg

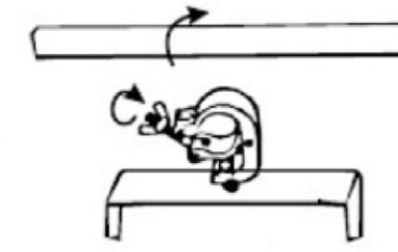
Installation



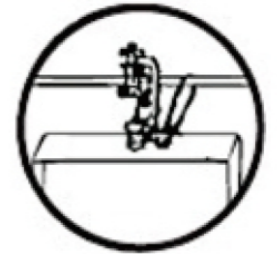
Attach the light hook to the handle of the LED Par Light



Tighten the screw between the lamp hook and the handle



Hang the light hook on the light shelf and tighten the screws



Use safety ropes to ensure safety



61*3W PAR Light (adjustable focus/wireless/network)

TL-SL210



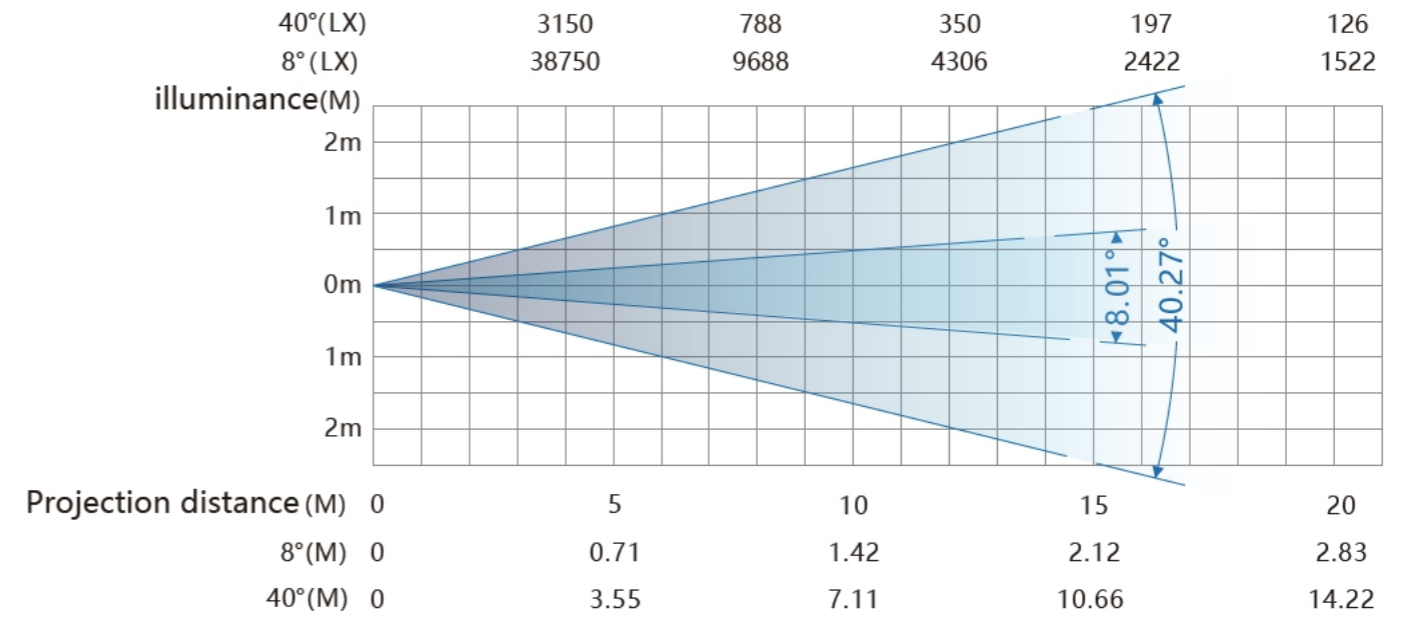
Features

1. Strobe: independent electronic strobe 1-25Hz.
2. Color mixing: RGBW (red, green, blue and white) linear color mixing. With 16.7 million colors (0-100% saturation adjustable), built-in macro function.
3. Electronic dimming: 0-100% independent electronic linear dimming. The camera video is real and flicker-free. With master-slave self-propelled automatic synchronization function. The console normally controls self-propelled permanent synchronization.
4. LCD display menu: call a variety of scenes. The built-in program can be directly called to execute.
5. Features: cast aluminum housing. With high light efficiency, uniform light mixing, stable performance, it is equipped with 2-meter long power cord, signal cable.
6. Luminaire connection: three-core signal cable IN/OUT power cable IN/OUT.
7. Voice sensitivity: 65-130dB.
8. Overtemperature protection: built-in NTC temperature control function. When the LED operating temperature is too high, the output power of the LED is intelligently reduced.

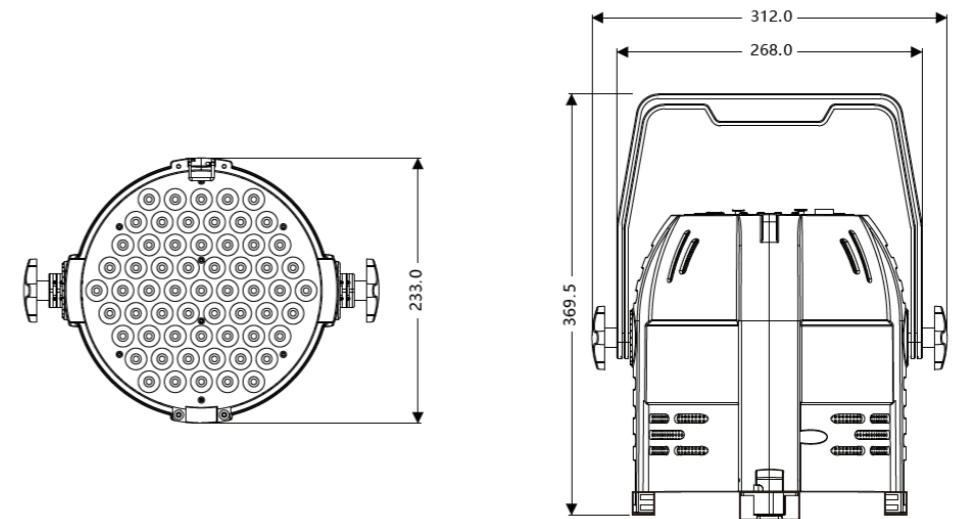
Specification

Input voltage	AC 110-240V 50/60Hz, 200W
Light source	61×3W LED(R13G16B16W16)
Average life	50000H
Color temperature	3200K~7200K linear adjustment
Lens angle	60°
Focus range	adjustable angle(8°-40°)
Control method	multiple voice control, DMX512, built-in program self-propelled, master-slave online mode, with wireless module and Art-net Ethernet data interface. Support RDM protocol and program online update function
Channel	5/7/9 channels
Luminaire material	cast aluminum housing
Protection level	fireproof V-1, protection Ip30
Luminaire size (L×W×H)	312×233×368mm
Package size (L×W×H)	290×290×420mm
Gross weight	6.0kg
Net weight	5.0kg

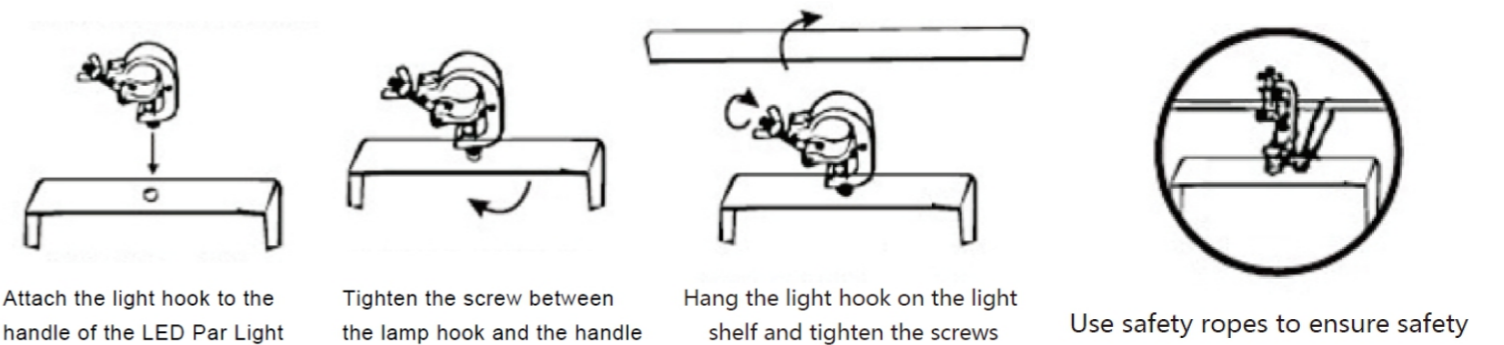
Light effect diagram



Dimension



Installation





61*3W PAR Light (adjustable focus/wireless/network)

TL-SL210B



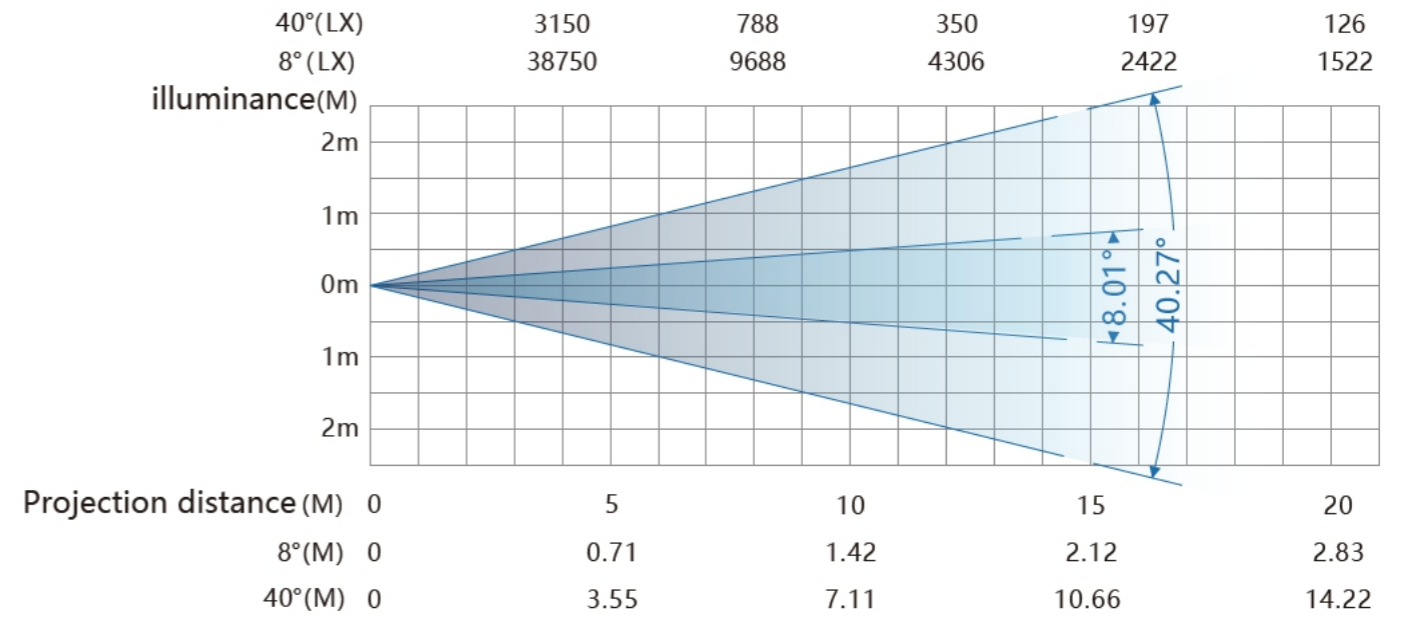
Features

- * Strobe: independent electronic strobe 1-25Hz.
- * Color mixing: RGBW (red, green, blue and white) linear color mixing, 16.7 million colors (0-100% saturation adjustment), and built-in macro function.
- * Electronic dimming: 0-100% independent electronic linear dimming, lifelike and flicker-free camera video, the master-slave self-propelled automatic synchronization function, and the console normally controls the self-propelled permanent synchronization.
- * LCD menu: invoke various scenes; built-in programs can be directly invoked and executed.
- * Cast aluminum housing, high luminous efficiency, uniform light mixing, and stable performance; equipped with a 1.5m power line and signal line.
- * Fixture connection: three-core signal line IN/OUT and power line IN/OUT.
- * Voice control sensitivity: 65-130dB.
- * Over-temperature protection function: built-in NTC temperature control function; when the LED is overheated, the output power will be intelligently reduced.

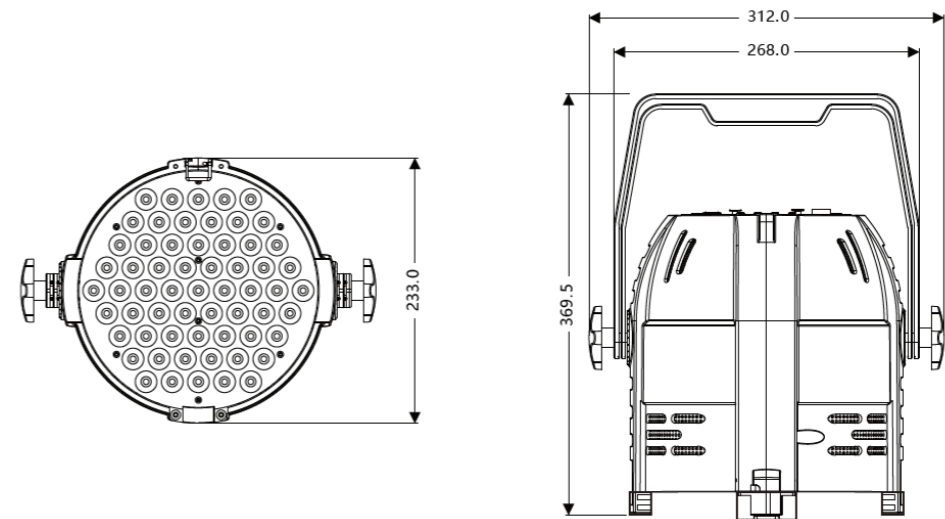
Specification

Input voltage	AC 110-240V 50/60Hz, 200W
Light source	61*3W LED(R13G16B16W16)
Average life	50000H
Color temperature	3200K~7200K linear adjustment
Lens angle	60°
Focus range	8°-40° adjustable angle
Control method	Multiple voice control, DMX512, built-in self-propelled program, master-slave online mode, support RDM protocol and program online update function
Channel	5/7/9 channels
Luminaire material	Cast aluminum housing
Protection level	Fireproof V-1, protection Ip30
Luminaire size (L*W*H)	312*233*368mm
Package size (L*W*H)	290*290*420mm
Gross weight	5.5kg
Net weight	4.5kg

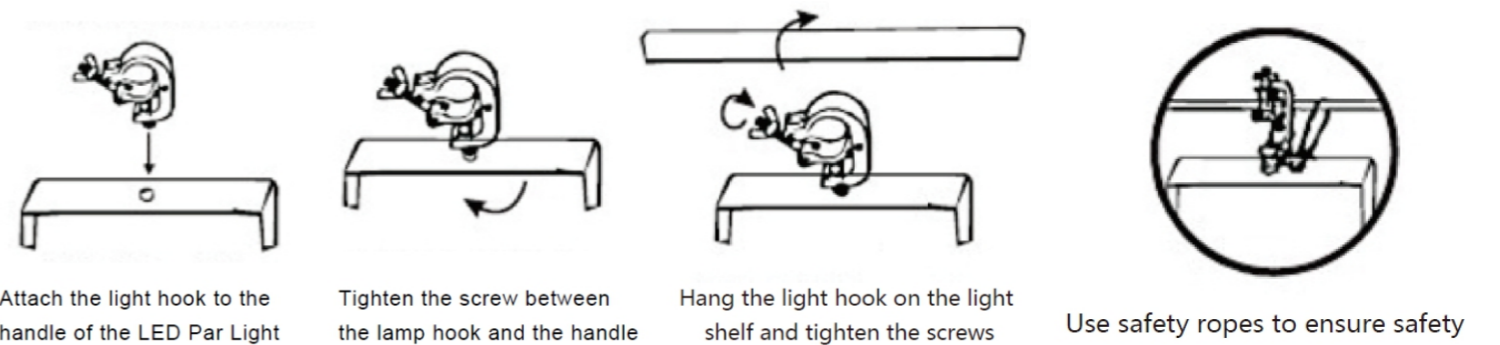
Light effect diagram



Dimension



Installation





12*20W(4IN1) Long Strip Light

TL-SL281



Safety instruction

Warning: danger of serious injury or death	Warning: consult the manual before installation, power on, or repair	Warning: fatal or serious electric shock hazard	Warning: fire	Warning: hot surface is dangerous to burn, do not touch	Warning: danger of eye injury, please wear goggles	Warning: danger of hand injury, please wear gloves
Only suitable for lights directly installed on the surface of non-combustible materials	Replace all shattered protective covers	Shortest distance from the illuminated object (m)	Rated maximum ambient temperature	Indoor use only	Do not point the lens towards the sun or strong light	Operation is not allowed during running

Features

- * Strobe: fast electronic strobe 0-20Hz, random strobe, and pulse strobe.
- * Color mixing: RGBW stepless color mixing system.
- * Electronic dimming: 0-100% independent electronic linear dimming, lifelike and flicker-free camera video, the master-slave self-propelled automatic synchronization function, and the console normally controls the self-propelled permanent synchronization.
- * Display menu: 0802LCD operation panel, support the invocation of various scenes; built-in programs can be directly invoked and executed.
- * Temperature control: with intelligent temperature protection function to ensure the LED lifespan.

Specification

Model	TL-SL281
Input voltage	AC 110-240V 50/60Hz, 185W
Light source	18x15W LED(RGBW 4 in 1)
Average lifespan	50000H
Beam angle	4° (45° optical lens optional)
Fixture connection	Three-core signal line IN/OUT and power line IN/OUT
Control mode	DMX512, built-in self-propelled program, master-slave online mode, Art-net Ethernet data interface, support RDM and program online update
Channel	4/8/11/48/52/55 channels
Fixture material	Aluminum alloy die-casting structure + mute fan, intelligent speed regulation
Protection class	Fireproof V-1, protection Ip30
Fixture size (LxWxH)	1020x182x193.6mm
Net weight	8.0kg
Gross weight	12.65kg
Working temperature	-20°C~40°C



7*12W(4in1) LED Flood Light

TL-SL291



Safety instruction

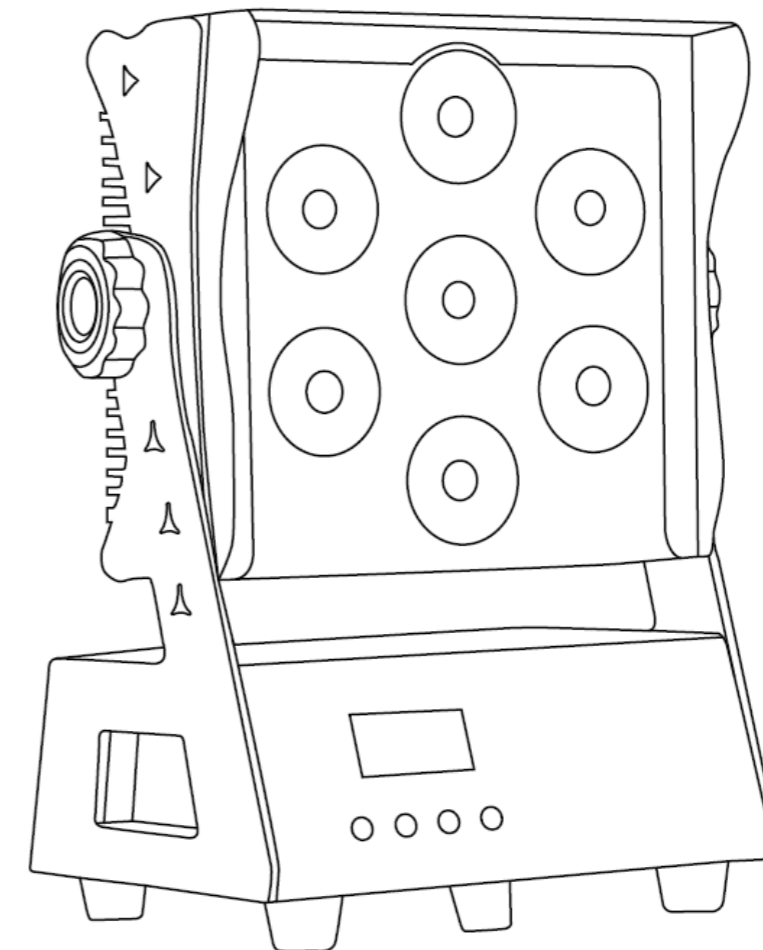
Warning: danger of serious injury or death	Warning: consult the manual before installation, power on, or repair	Warning: fatal or serious electric shock hazard	Warning: fire	Warning: hot surface is dangerous to burn, do not touch	Warning: danger of eye injury, please wear goggles	Warning: danger of hand injury, please wear gloves
Only suitable for lights directly installed on the surface of non-combustible materials	Replace all shattered protective covers	Shortest distance from the illuminated object (m)	Rated maximum ambient temperature	Indoor use only	Do not point the lens towards the sun or strong light	Operation is not allowed during running

Features

- * Strobe: fast electronic strobe 0-20Hz.
- * Color mixing: RGBW (red, green, blue and white) linear color mixing, 16.7 million colors (0-100% saturation adjustment), and built-in macro function.
- * Electronic dimming: 0-100% independent electronic linear dimming, lifelike and flicker-free camera video, the master-slave self-propelled automatic synchronization function, and the console normally controls the self-propelled permanent synchronization.
- * Display menu: 0802LCD operation panel, support the invocation of various scenes; built-in programs can be directly invoked and executed.
- * Temperature control: with intelligent temperature protection function to ensure the LED lifespan.

Specification

Model	TL-SL291
Input voltage	AC 110-240V 50/60Hz, 80W
Light source	7*12W LED(4IN1)
Average lifespan	50000H
Beam angle	15°
Fixture connection	Three-core signal line IN/OUT and power line IN/OUT
Control mode	DMX512, built-in self-propelled program, master-slave online mode, support RDM and program online update
Channel	3/4/7 channels
Fixture material	Aluminum alloy die-casting structure
Protection class	Fireproof V-1, protection Ip30
Fixture size (L*W*H)	218*167*279mm
Net weight	4.5kg
Working temperature	-20°C~40°C





7*12W(4in1) LED Flood Light

TL-SL292



Safety instruction

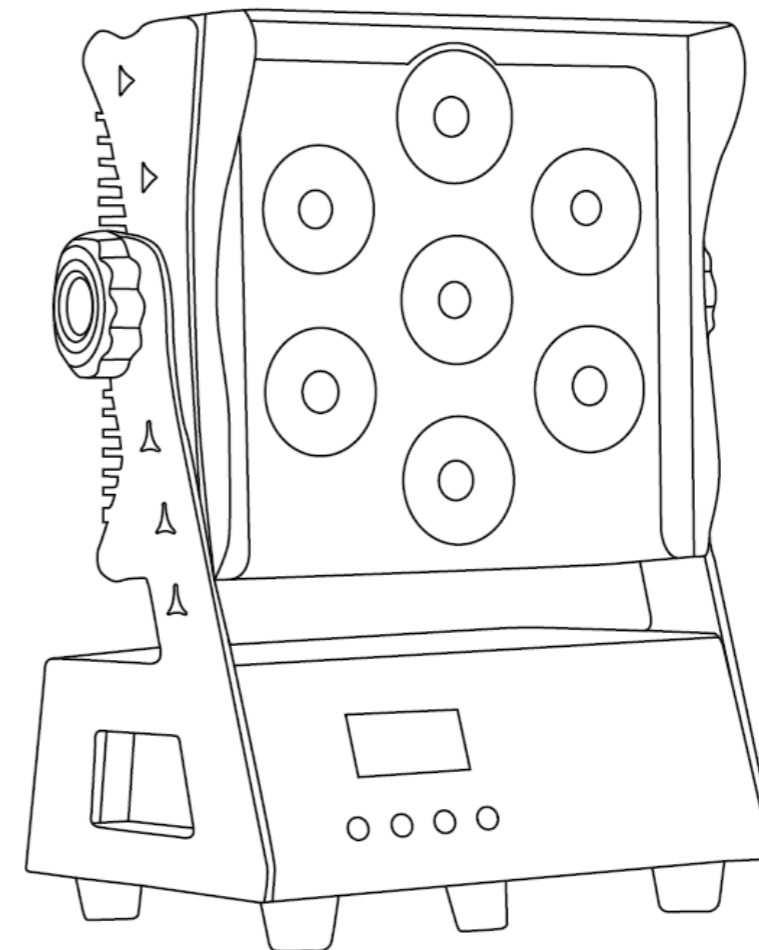
Warning: danger of serious injury or death	Warning: consult the manual before installation, power on, or repair	Warning: fatal or serious electric shock hazard	Warning: fire	Warning: hot surface is dangerous to burn, do not touch	Warning: danger of eye injury, please wear goggles	Warning: danger of hand injury, please wear gloves
Only suitable for lights directly installed on the surface of non-combustible materials	Replace all shattered protective covers	Shortest distance from the illuminated object (m)	Rated maximum ambient temperature	Indoor use only	Do not point the lens towards the sun or strong light	Operation is not allowed during running

Features

- * Strobe: fast electronic strobe 0-20Hz.
- * Color mixing: RGBWA+UV (red, green, blue, white, amber and UV) linear color mixing, 16.7 million colors (0-100% saturation adjustment), and built-in macro function.
- * Electronic dimming: 0-100% independent electronic linear dimming, lifelike and flicker-free camera video, the master-slave self-propelled automatic synchronization function, and the console normally controls the self-propelled permanent synchronization.
- * Display menu: 0802LCD operation panel, support the invocation of various scenes; built-in programs can be directly invoked and executed.
- * Temperature control: with intelligent temperature protection function to ensure the LED lifespan.

Specification

Model	TL-SL292
Input voltage	AC 110-240V 50/60Hz, 80W
Light source	7*12W LED(6IN1+UV)
Average lifespan	50000H
Beam angle	15° (25/45° optional)
Fixture connection	Three-core signal line IN/OUT and power line IN/OUT
Control mode	DMX512, built-in self-propelled program, master-slave online mode, support RDM and program online update
Channel	3/6/9 channels
Fixture material	Aluminum alloy die-casting structure
Protection class	Fireproof V-1, protection Ip30
Fixture size (L*W*H)	218*167*279mm
Net weight	4.5kg
Working temperature	-20°C~40°C





7*12W(4in1) LED Flood Light

TL-SL293



Safety instruction

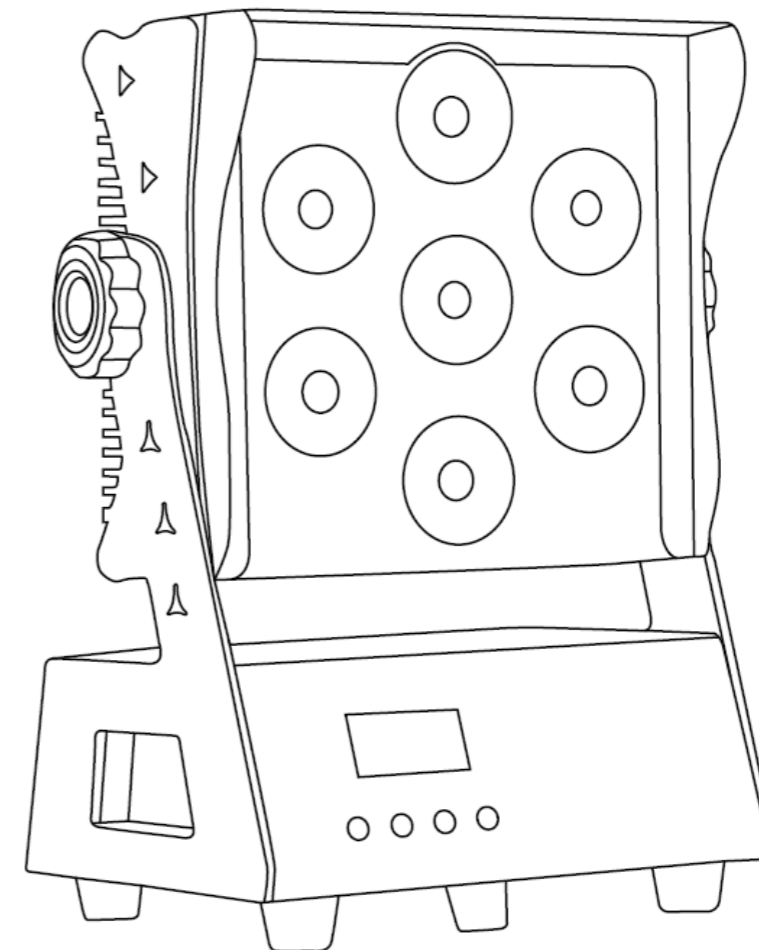
Warning: danger of serious injury or death	Warning: consult the manual before installation, power on, or repair	Warning: fatal or serious electric shock hazard	Warning: fire	Warning: hot surface is dangerous to burn, do not touch	Warning: danger of eye injury, please wear goggles	Warning: danger of hand injury, please wear gloves
Only suitable for lights directly installed on the surface of non-combustible materials	Replace all shattered protective covers	Shortest distance from the illuminated object (m)	Rated maximum ambient temperature	Indoor use only	Do not point the lens towards the sun or strong light	Operation is not allowed during running

Features

- * Strobe: fast electronic strobe 0-20Hz.
- * Color mixing: RGBWA+UV (red, green, blue, white, amber and UV) linear color mixing, 16.7 million colors (0-100% saturation adjustment), and built-in macro function.
- * Electronic dimming: 0-100% independent electronic linear dimming, lifelike and flicker-free camera video, the master-slave self-propelled automatic synchronization function, and the console normally controls the self-propelled permanent synchronization.
- * Display menu: 0802LCD operation panel, support the invocation of various scenes; built-in programs can be directly invoked and executed.
- * Temperature control: with intelligent temperature protection function to ensure the LED lifespan.

Specification

Model	TL-SL292
Input voltage	AC 110-240V 50/60Hz, 80W
Light source	7*12W LED(6IN1+UV)
Average lifespan	50000H
Beam angle	15° (25/45° optional)
Fixture connection	Three-core signal line IN/OUT and power line IN/OUT
Control mode	DMX512, built-in self-propelled program, master-slave online mode, support RDM and program online update
Channel	3/6/9 channels
Fixture material	Aluminum alloy die-casting structure
Protection class	Fireproof V-1, protection Ip30
Fixture size (L*W*H)	218*167*279mm
Net weight	4.5kg
Working temperature	-20°C~40°C





18*12W(4in1) LED Flood Light

TL-SL294



Safety instruction

Warning: danger of serious injury or death	Warning: consult the manual before installation, power on, or repair	Warning: fatal or serious electric shock hazard	Warning: fire	Warning: hot surface is dangerous to burn, do not touch	Warning: danger of eye injury, please wear goggles	Warning: danger of hand injury, please wear gloves
Only suitable for lights directly installed on the surface of non-combustible materials	Replace all shattered protective covers	Shortest distance from the illuminated object (m)	Rated maximum ambient temperature	Indoor use only	Do not point the lens towards the sun or strong light	Operation is not allowed during running

Features

- * Strobe: fast electronic strobe 0-20Hz.
- * Color mixing: RGBW (red, green, blue and white) linear color mixing, 16.7 million colors (0-100% saturation adjustment), and built-in macro function.
- * Electronic dimming: 0-100% independent electronic linear dimming, lifelike and flicker-free camera video, the master-slave self-propelled automatic synchronization function, and the console normally controls the self-propelled permanent synchronization.
- * Display menu: 0802LCD operation panel, support the invocation of various scenes; built-in programs can be directly invoked and executed.
- * Temperature control: with intelligent temperature protection function to ensure the LED lifespan.

Specification

Model	TL-SL294
Input voltage	AC 110-240V 50/60Hz, 240W
Light source	18*12W LED(4IN1)
Average lifespan	50000H
Beam angle	15°
Fixture connection	Three-core signal line IN/OUT and power line IN/OUT
Control mode	DMX512, built-in self-propelled program, master-slave online mode, support RDM and program online update
Channel	3/4/7 channels
Fixture material	Aluminum alloy die-casting structure
Protection class	Fireproof V-1, protection Ip30
Fixture size (L*W*H)	269*177*366mm
Net weight	8.0kg
Working temperature	-20°C~40°C



18*12W(6in1) LED Flood Light

TL-SL295



Safety instruction

Warning: danger of serious injury or death	Warning: consult the manual before installation, power on, or repair	Warning: fatal or serious electric shock hazard	Warning: fire	Warning: hot surface is dangerous to burn, do not touch	Warning: danger of eye injury, please wear goggles	Warning: danger of hand injury, please wear gloves
Only suitable for lights directly installed on the surface of non-combustible materials	Replace all shattered protective covers	Shortest distance from the illuminated object (m)	Rated maximum ambient temperature	Indoor use only	Do not point the lens towards the sun or strong light	Operation is not allowed during running

Features

- * Strobe: fast electronic strobe 0-20Hz.
- * Color mixing: RGBWA+UV (red, green, blue, white, amber and UV) linear color mixing, 16.7 million colors (0-100% saturation adjustment), and built-in macro function.
- * Electronic dimming: 0-100% independent electronic linear dimming, lifelike and flicker-free camera video, the master-slave self-propelled automatic synchronization function, and the console normally controls the self-propelled permanent synchronization.
- * Display menu: 0802LCD operation panel, support the invocation of various scenes; built-in programs can be directly invoked and executed.
- * Temperature control: with intelligent temperature protection function to ensure the LED lifespan.

Specification

Model	TL-SL295
Input voltage	AC 110-240V 50/60Hz, 240W
Light source	18×12W LED(6IN1)
Average lifespan	50000H
Beam angle	15°
Fixture connection	Three-core signal line IN/OUT and power line IN/OUT
Control mode	DMX512, built-in self-propelled program, master-slave online mode, support RDM and program online update
Channel	3/6/9 channels
Fixture material	Aluminum alloy die-casting structure
Protection class	Fireproof V-1, protection Ip30
Fixture size (L×W×H)	269×177×366mm
Net weight	8.0kg
Working temperature	-20°C~40°C



22*20W 4in1 Professional Silent PAR Light

TL-SW03



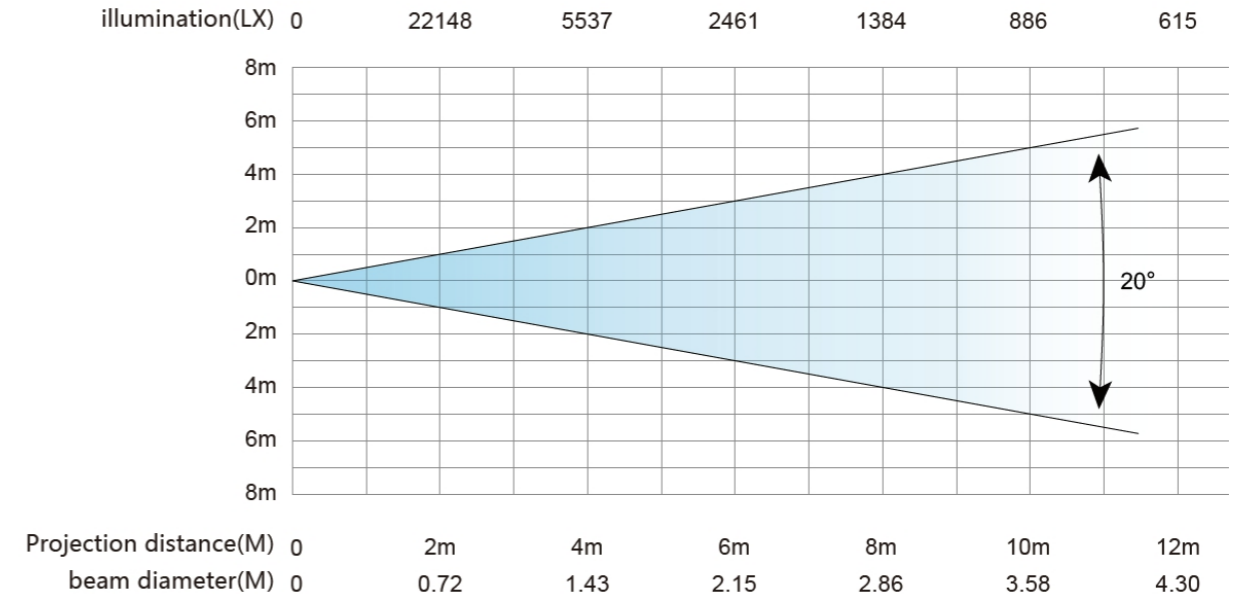
Features

1. Strobe: Independent electronic strobe 1-25Hz.
2. Color mixing: RGBW (red, green, blue and white) linear color mixing, 16.7 million colors (0-100% saturation adjustable), built-in macro function.
3. Electronic dimming: 0-100% independent electronic linear dimming, lifelike and flicker-free camera video, the master-slave self-propelled automatic synchronization function, and the console normally controls the self-propelled permanent synchronization.
4. Display menu: support the invocation of various scenes; built-in programs can be directly invoked and executed.
5. Features: Cast aluminum shell, high light efficiency, uniform light mixing, stable performance, equipped with 2-meter long power cord and signal line.
6. Fixture connection: three-core signal line IN/OUT power line IN/OUT.
7. Scenes: 20 built-in scenes that can be edited independently. 2 operating modes: constant speed and variable speed. The switching speed between scenes can be customized.
8. Dynamic effects: Contains 54 LED lamp beads, built-in 17 different dynamic effects, supporting RGB (red, green and blue) three-color mixing or running dynamic effects.
9. Over-temperature protection function: built-in NTC temperature control function; when the LED is overheated, the output power will be intelligently reduced.
10. Automatic color correction system: ensure stable and consistent color and color temperature

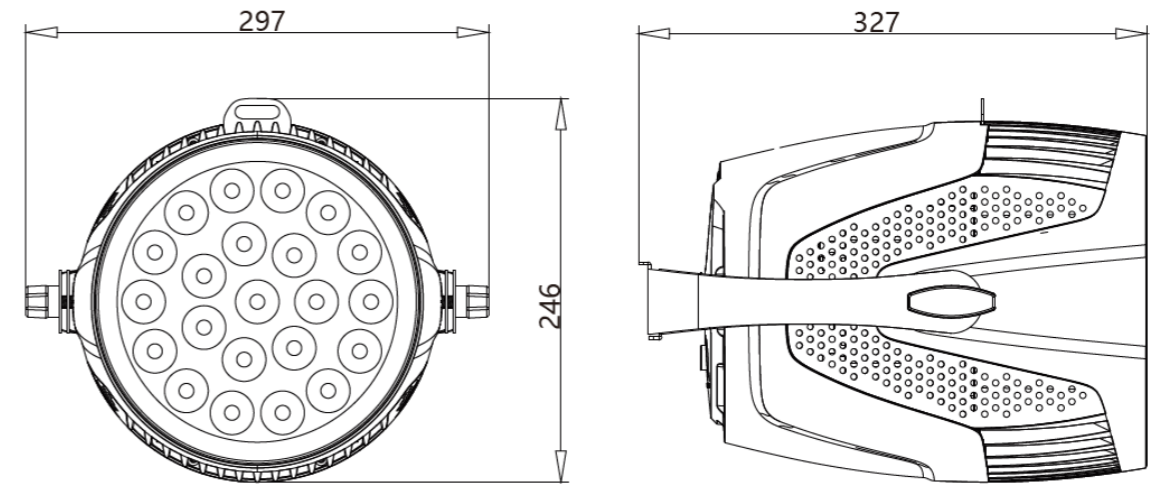
Specification

Input voltage	AC 110-240V 50/60Hz, 350W
Light source 1	22*20W LED (RGBW)
Light source 2	54*0.5W LED (RGB)
Average lifespan	50000H
Color temperature	2800K, 10000K linear adjustment
Lens angle	20°
Control mode	DMX512, built-in program self-propelled, master-slave online mode, Art-net Ethernet data interface, supports RDM protocol and program online update function.
Channel	17/12/10/6 channel
Lamp material	cast aluminum shell
Protection level	fire protection V-1, protection Ip30
Fixture size (L*W*H)	297*246*327mm
Packing size (L*W*H)	280*280*400mm
Gross weight	8.1kg
Net weight	7.0kg

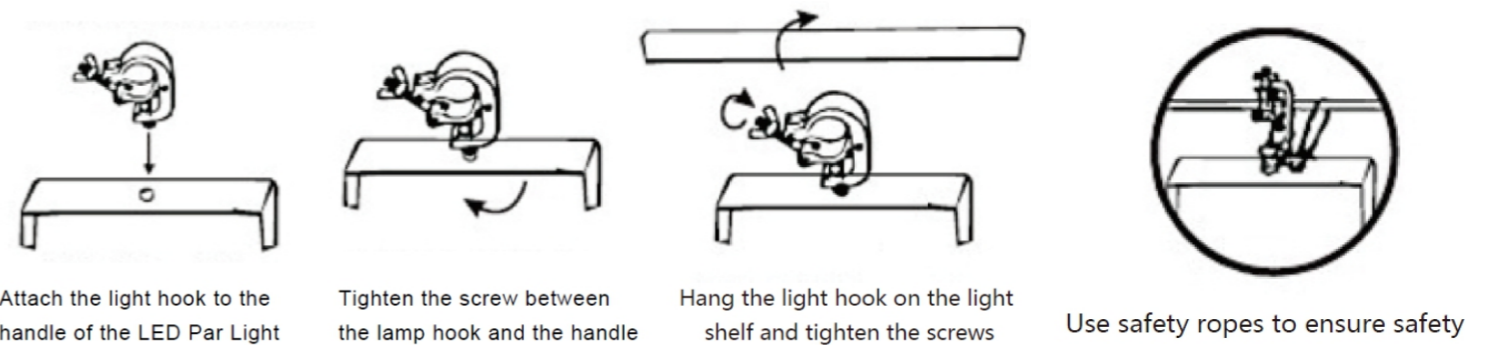
Light effect diagram



Dimension



Installation



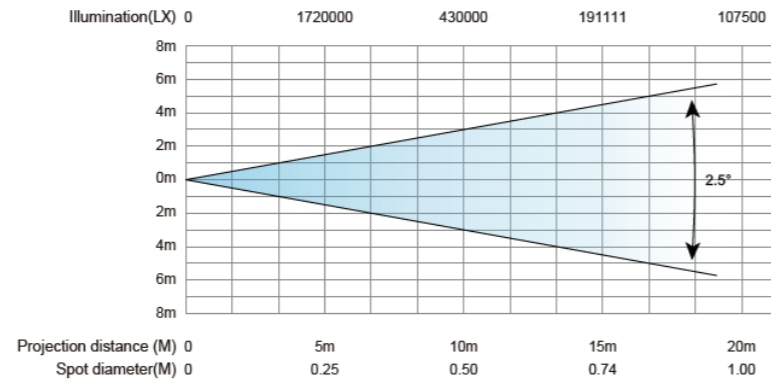
Moving Head Beam Light





Moving Head Beam Light

TL-SL101



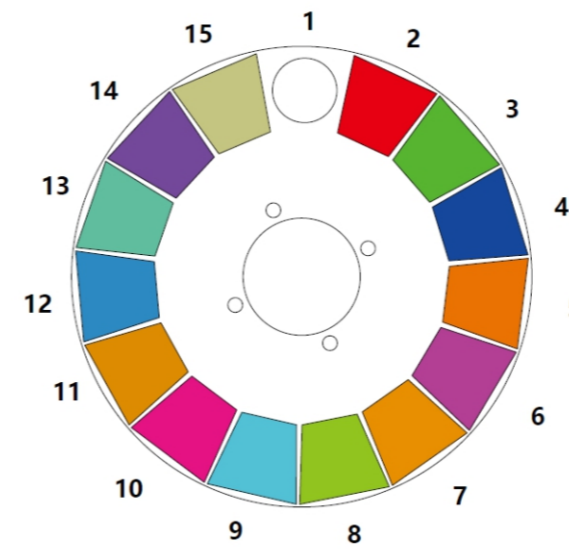
Features

- Optics: adopt optical lenses with high temperature resistance and strong light transmit-tance (3-layer coating).
- Color pannel: 14 color gobos + 1 white light, two-way rainbow effect, adjustable speed, arbitrary positioning function.
- Fixed pattern pannel: 17 fixed pattern gobos + 1 white light, with pattern jitter, one-way flow, adjustable speed, arbitrary positioning function.
- Prism: 16 rotating prisms, the prism rotates forward and backward, and the speed is adjustable.
- Strobe: double-chip strobe 0.5-14 times/S, with synchronous, asynchronous, random stroboscopic mode, adjustable speed.
- Atomization: 1 independent atomization effect, soft and natural light spot.
- Scanning range: X-axis 540°/2.5 S, Y-axis 270°/1.5 S, precise scanning and positioning.
- Display interface: adopt widescreen LCD liquid crystal display interface in Chinese and English.
- Intelligent heat dissipation: adopt wind direction drainage and temperature intelligent monitoring technology. According to the temperature of different positions of the fixture, the cooling fans in different parts of the fixture are automatically driven to effectively cool the fixture components.

Specification

Input voltage	AC110V-240V 50/60Hz, 350W
Ballast	electronic ballast
Light source	OSRAM 251W
Average life	2000H
Color temperature	8000K
Beam angle	2.5° (parallel beam angle)
Control method	DMX512 (ART-NET/RDM/DMX wireless, optional)
Channel	14/17 channels
Fixture material	high temperature resistant plastic + molded alloy material
Protection level	Ip20
Fixture size (L×W×H)	340×240×506mm
Packing size (L×W×H)	400×375×525mm
Gross weight	18kg
Net weight	15.6kg

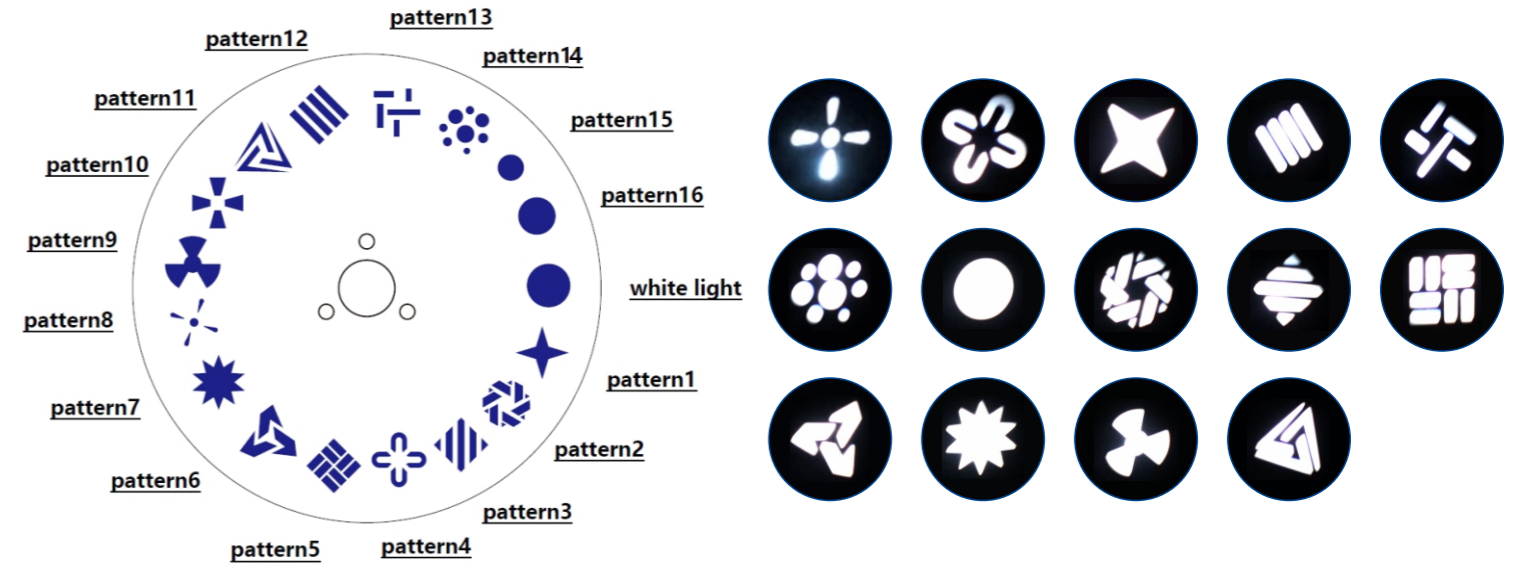
Color disc



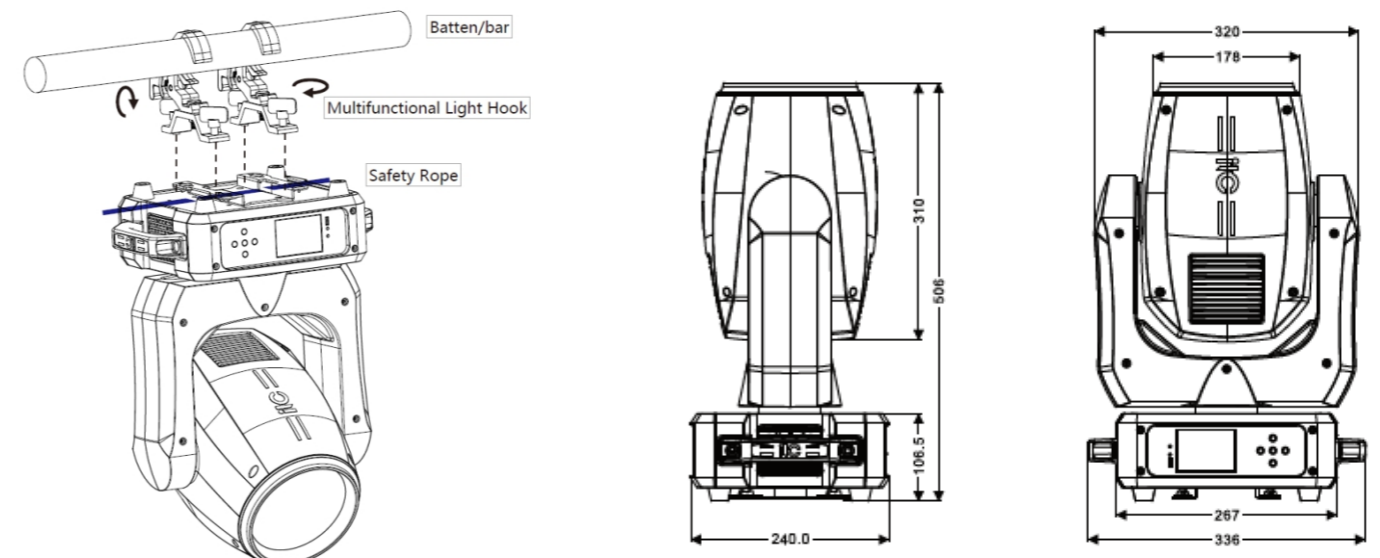
- | | |
|----------------|-----------------|
| 1. White light | 9. Blue green |
| 2. Red | 10. Pink |
| 3. Green | 11. Dark yellow |
| 4. Blue | 12. Light blue |
| 5. Orange | 13. Indigo |
| 6. Rose red | 14. UV |
| 7. Yellow | 15. CTO |
| 8. Grass green | |

Tip: when installing the color chip, face the coating towards the light source

Pattern disc



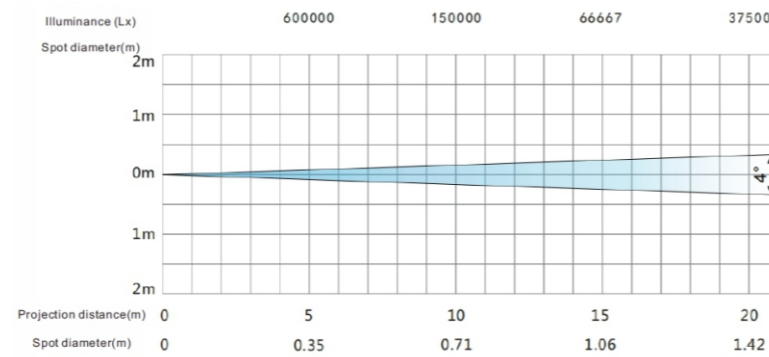
Installation





Moving Head Beam Light

TL-SL101B



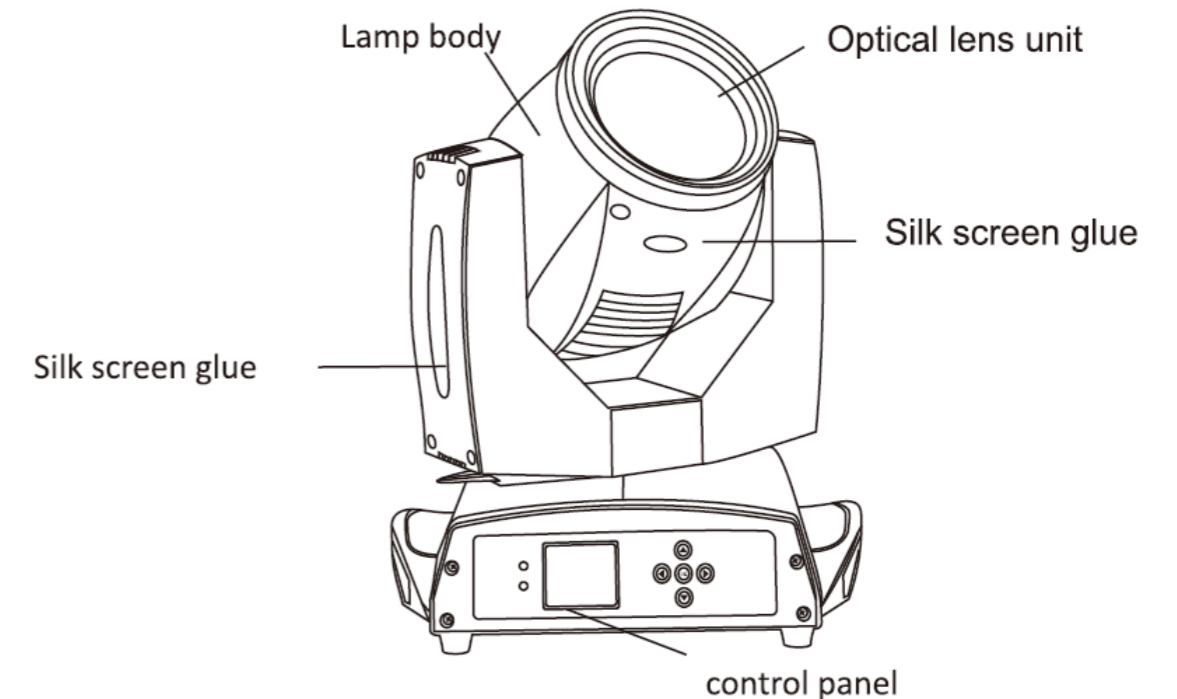
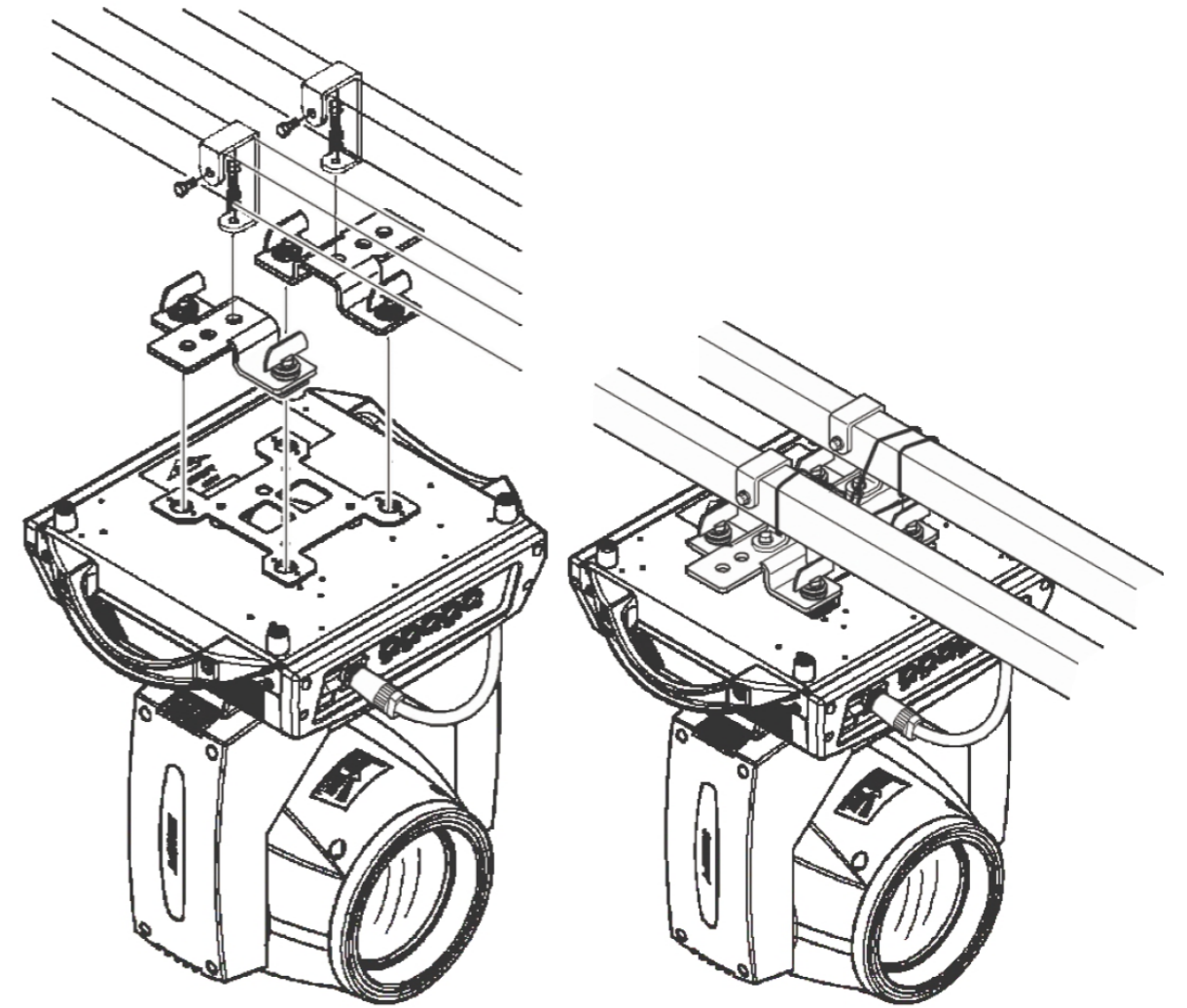
Features

- *Optics: the optical lenses with high temperature resistance and strong light transmittance (3-layer coating film).
- *Color wheel: 14 color gels + 1 white light, bidirectional rainbow effect, adjustable speed, and flexible positioning function.
- *Fixed gobo wheel: 17 fixed gobos + 1 white light, pattern dithering, one-way flow effect, adjustable speed, and flexible positioning function.
- *Prism: rotating hexadecagon prism, bidirectional rotation, and adjustable speed.
- *Strobe: double-chip strobe 0.5-14 times/sec, support synchronous, asynchronous, random stroboscopic mode, and adjustable speed.
- *Atomization: 1 independent atomization effect with soft and natural light spot.
- *Scan range: X-axis 540°/2.5 S, Y-axis 270°/1.5 S, accurate scanning and positioning.
- *Display interface: a widescreen LCD interface in Chinese and English.
- *Intelligent heat dissipation: adopt wind direction drainage and intelligent temperature monitoring technology; according to the temperature of different parts of the light, the cooling fans in different parts are automatically started to cool the light components down.

Specification

Model	TL-SL101B
Input voltage	AC110V-240V 50/60Hz, 350W
Ballast	Electronic ballast
Light source	OSRAM 231W
Average lifespan	2000H
Color temperature	8500K
Beam angle	0~3.8° (parallel beam angle)
Control mode	DMX512 (ART-NET/RDM/DMX wireless, optional)
Channel	16 channels
Fixture material	High temperature resistant plastic + molded alloy material
Protection class	Ip20
Fixture size (L×W×H)	409×310×498mm
Package size (L×W×H)	452×405×540mm
Gross weight	19kg
Net weight	16.5kg

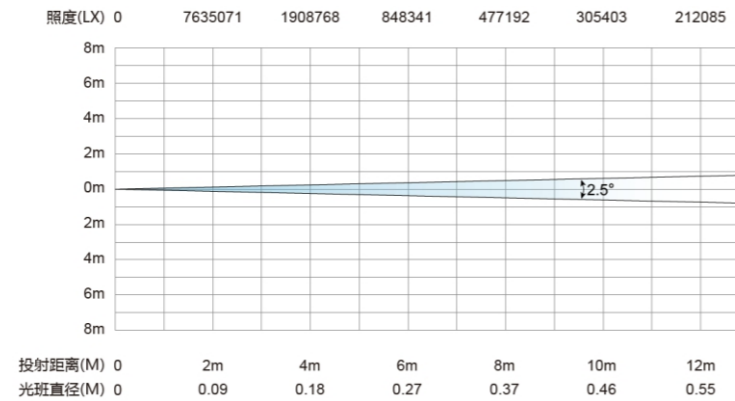
Installation





Moving Head Beam Light

TL-SL101C



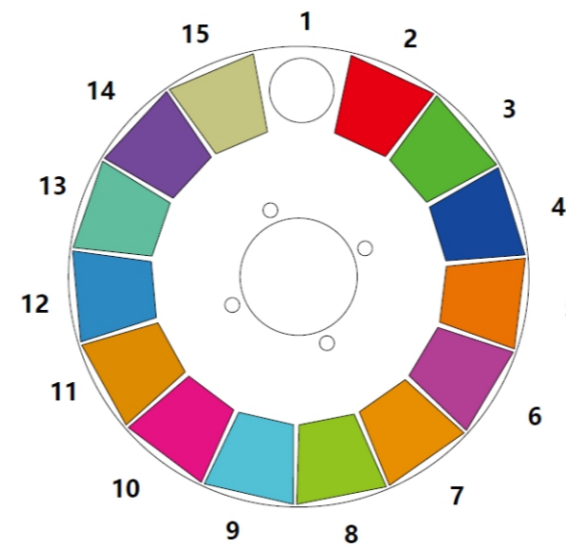
Features

- *Optics: two sets of high-precision glass optical lens (3-layer coating film), two sets of lenses.
- *Color wheel: 14 color gels + 1 white light, two-way rainbow effect, adjustable speed, and flexible positioning function.
- *Fixed gobo wheel: 16 fixed gobos + 1 white light, one-way flow, adjustable speed, and flexible positioning function.
- *Prism: rotating hexadecagon prism + 6 row lens, support two-way rotation, superimposition, and adjustable speed.
- *Strobe: double-chip strobe 0.5-13 times/sec, support synchronous, asynchronous, random stroboscopic mode, and adjustable speed.
- *Atomization: 1 independent atomization effect with soft and natural light spot.
- *Scan range: X-axis 630°/2.7 S, Y-axis 270°/1.5 S, accurate scanning and positioning.
- *Display interface: a 2.8-inch widescreen LCD interface in Chinese and English that supports a rechargeable battery. You can enter the menu for address code setting and other settings without power on; the hierarchical menu structure and graphical interface are user-friendly; it supports normal operations of the touch screen, including click, double click, and slide, etc.
- *Intelligent heat dissipation: adopt wind direction drainage and intelligent temperature monitoring technology; according to the temperature of different parts of the light, the cooling fans in different parts are automatically started to cool the light components down.
- *Special functions: Gyroscope (optional): Gyroscope function is turned on, Y-axis automatic compensation calibration, autofocus: 3-25.5 meters autofocus.

Specification

Input voltage	AC110V-240V 50/60Hz, 350W
Ballast	Electronic ballast
Light source	260W light bulb
Average lifespan	2000H
Color temperature	8000K
Beam angle	2.5°
Control mode	DMX512 protocol, support RDM protocol and program online update function; (Art-net Ethernet data interface and DMX wireless function optional)
Channel	14/17 channel
Fixture material	High temperature resistant plastic + molded alloy material
Protection class	Ip20
Fixture size (L×W×H)	340×240×506mm
Package size (L×W×H)	400×375×525mm
Gross weight	17.5kg
Net weight	15.0kg

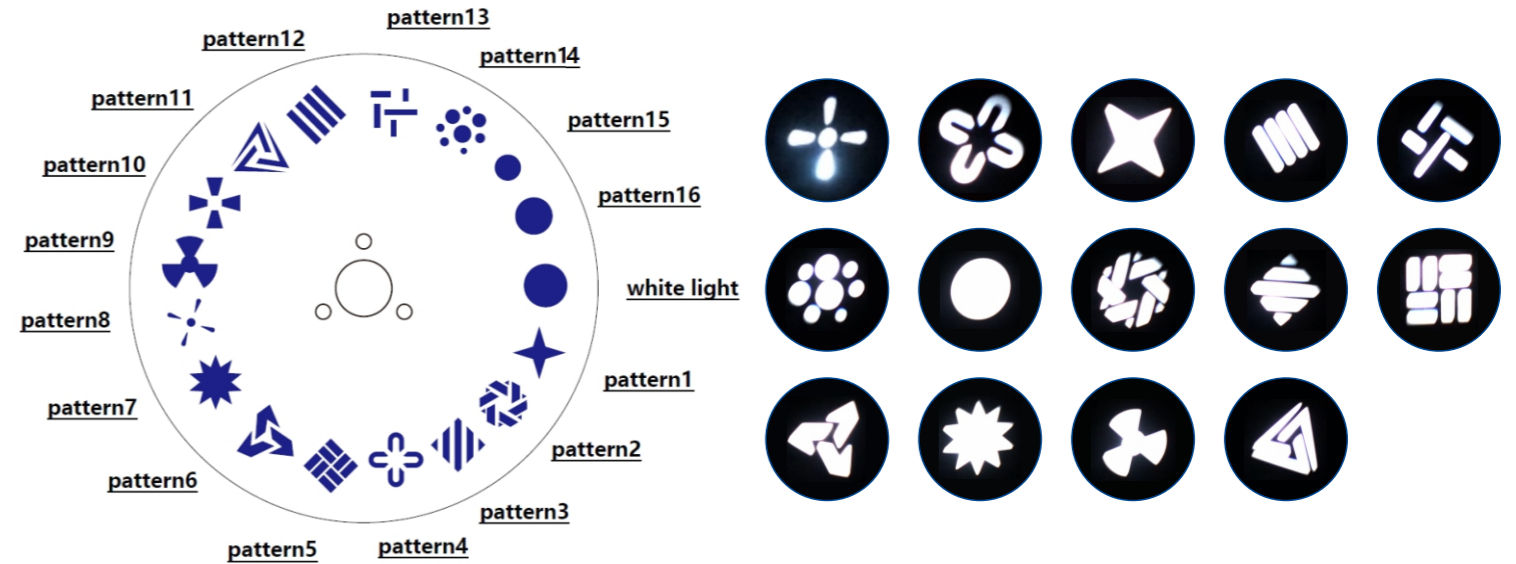
Color disc



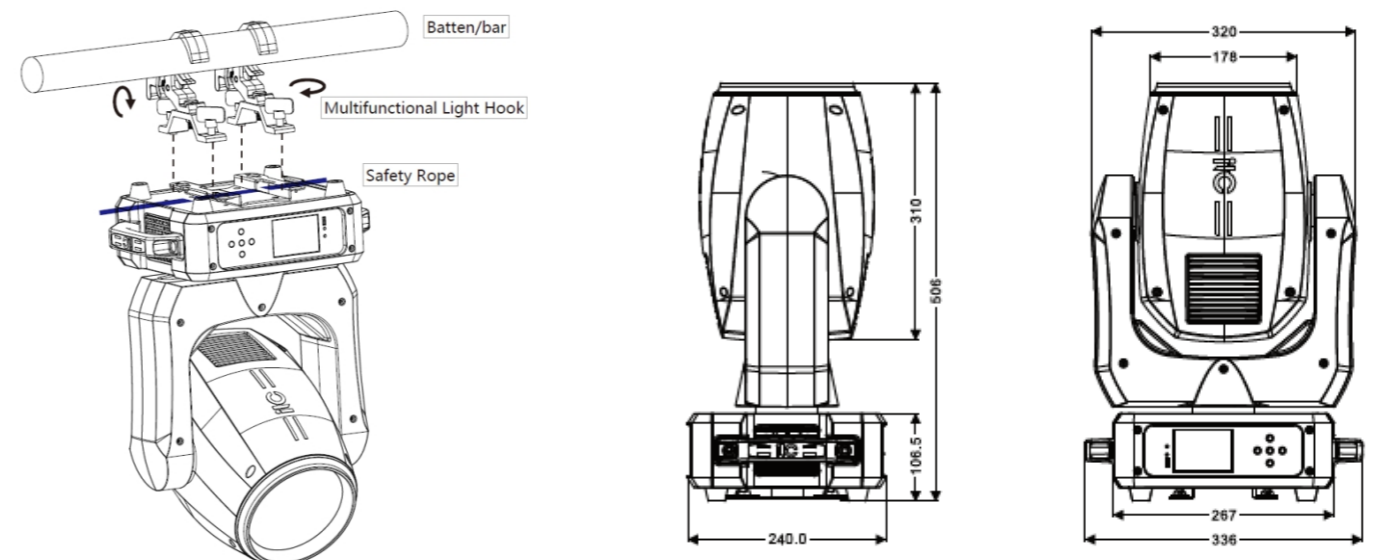
- 1. White light
- 2. Red
- 3. Green
- 4. Blue
- 5. Orange
- 6. Rose red
- 7. Yellow
- 8. Grass green
- 9. Blue green
- 10. Pink
- 11. Dark yellow
- 12. Light blue
- 13. Indigo
- 14. UV
- 15. CTO

Tip: when installing the color chip, face the coating towards the light source

Pattern disc



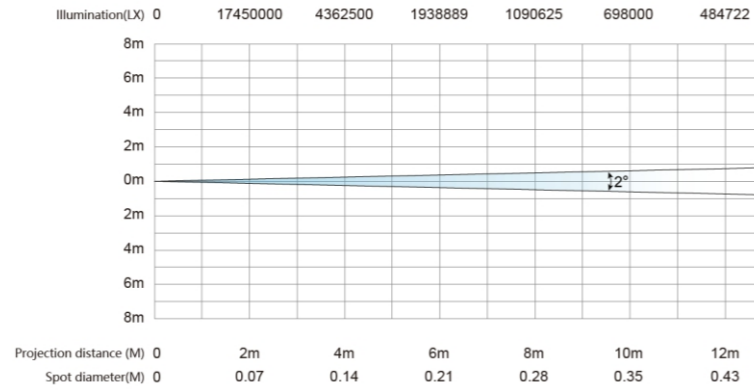
Installation





Moving Head Beam Light

TL-SL104



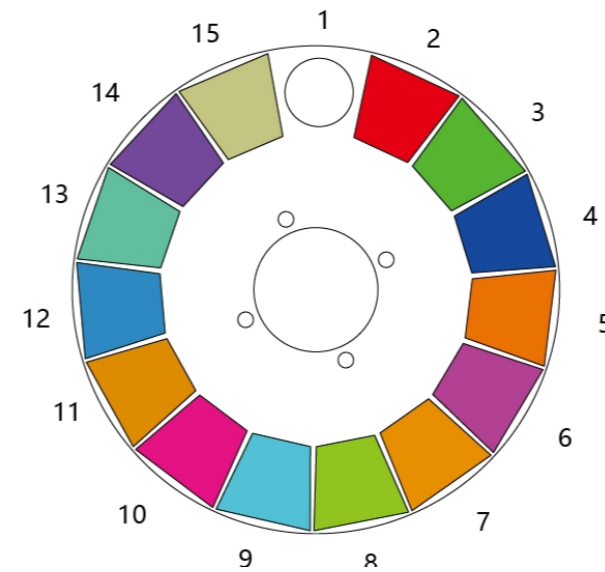
Features

- 1.Optics: 2 sets of high-precision glass optical lenses (3-layer coating).
- 2.Color wheel: 14 color gels + 1 white light, half color effect, bidirectional rainbow effect, adjustable speed, flexible positioning function.
- 3.Fixed gobo wheel: 17 fixed gobos + 1 white light, with flow, jitter, random motion and bidirectional slow and fast transition effects.
- 4.Prism: 1 octagonal prism + 1 24-sided prism, support bidirectional rotation, superposition, and adjustable speed.
- 5.Strobe: Double-chip strobe 0.5-13 times/S, with synchronous, asynchronous and random strobe modes, and the speed is adjustable.
- 6.Atomization: With 1 independent atomization effect, the light spot is soft and natural.
- 7.Eight-color lens: The eight-color lens realizes the colorful beam effect.
- 8.Focusing: Electric focusing system.
- 9.Scanning range: X-axis 630°/2.7 S, Y-axis 259°/1.5 S, accurate scanning positioning.
- 10.Display interface: Wide-screen 2.8-inch LCD interface in Chinese and English, with rechargeable battery; you can enter the menu to set the address code and perform other settings without powering it on; menu with hierarchical structure, friendly graphical interface, support normal operations of touch screen, including tap, double tap, and slide.
- 11.Intelligent heat dissipation: Using wind direction drainage and temperature intelligent monitoring technology, according to the temperature of different positions of the lamp, the cooling fans in different lamp parts are automatically driven to cool different lamp components effectively.
- 12.Special functions: Gyroscope: turn on the gyroscope function, and the Y-axis is automatically compensated and calibrated; Autofocus: autofocus within 3-25.5 meters.

Specification

Input voltage	AC110V-240V 50/60Hz, 500W
Ballast	Electronic ballast
Light source	OSRAM 371W S
Average lifespan	2000H
Color temperature	7800K
Beam angle	2°
Control mode	DMX512 protocol, support RDM protocol and program online update function; support Art-net Ethernet data interface (DMX wireless function optional)
Channel	11/16CH
Fixture material	High temperature plastic + molded alloy material
Protection class	Ip20
Fixture size (L×W×H)	336×240×552mm
Package size (L×W×H)	430×380×535mm
Gross weight	19KG
Net weight	16.3KG

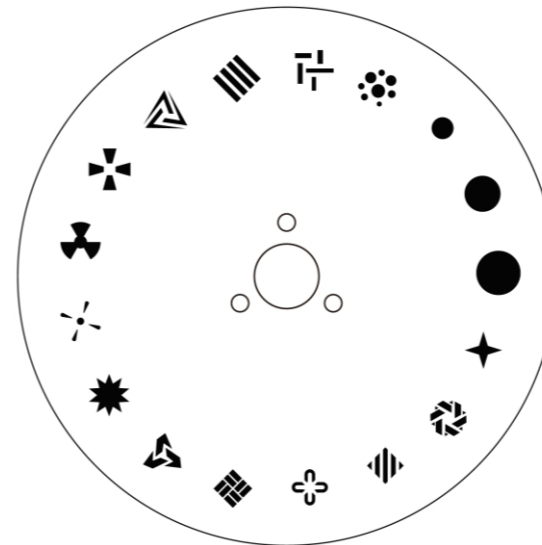
Color disc



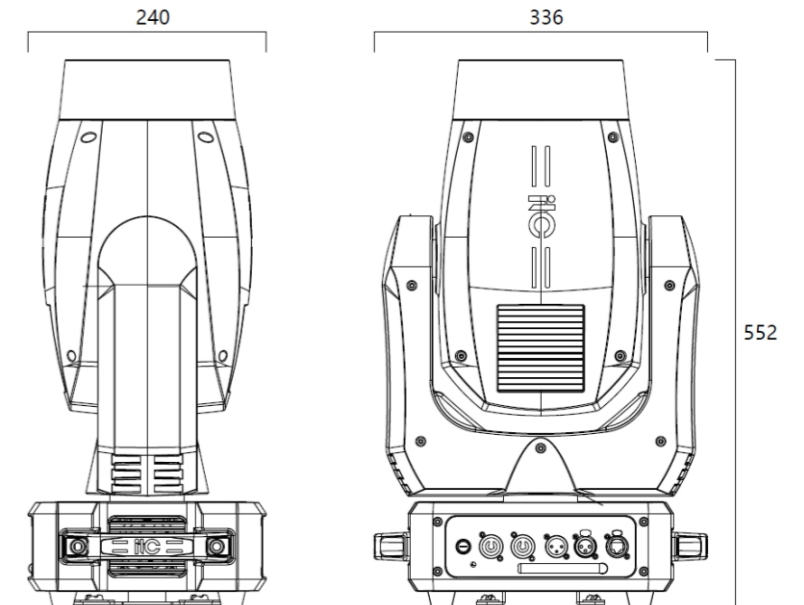
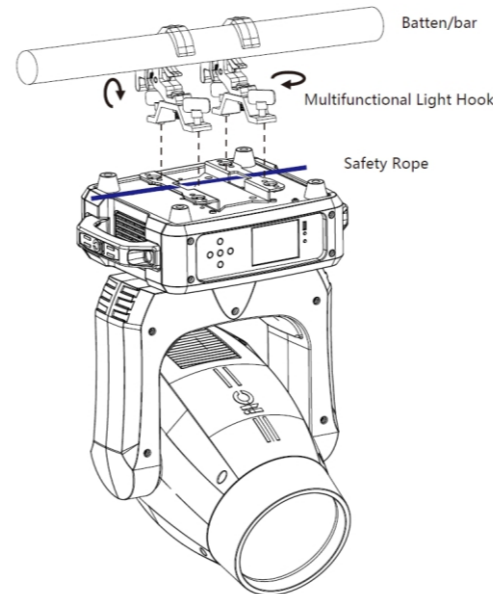
- | | |
|---------------|----------------|
| 1.white light | 9.Blue-green |
| 2.red | 10.pink |
| 3.green | 11.deep yellow |
| 4.blue | 12.Light blue |
| 5.orange | 13.Indigo |
| 6.Rose red | 14.UV |
| 7.yellow | 15.CTO |
| 8.Grass green | |

Tip: when installing the color chip, face the coating towards the light source

Pattern disc



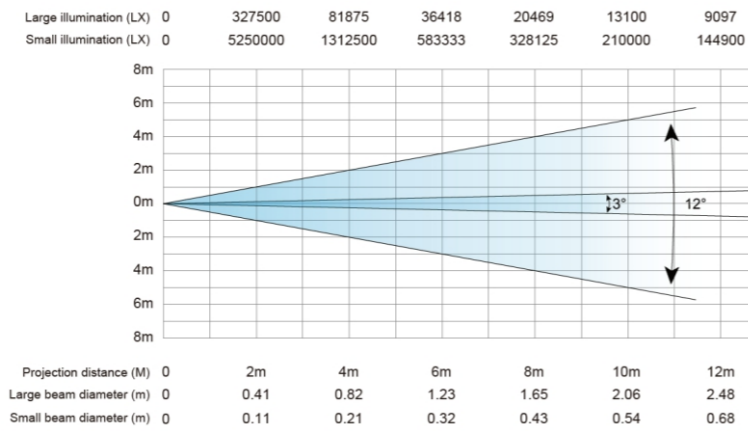
Installation





Moving Head Beam Light

TL-SL111



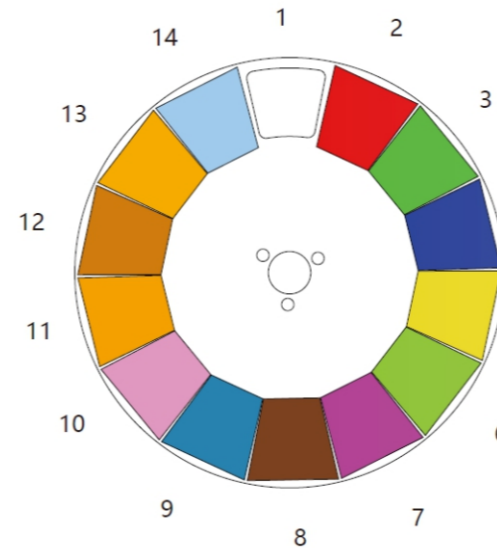
Features

- Optics: high-precision glass optical lens (6-layer coating), multi-level optical lens group electronic focusing, linear magnification function.
- Color wheel: 13 color gels + 1 white light, two-way rainbow effect, adjustable speed, flexible positioning function.
- Gobo system: 1 fixed gobo wheel: 13 fixed gobos + 1 white light, one-way flowing effect, adjustable speed, flexible positioning function. 1 rotatable gobo wheel: 9 gobos + white circle, with pattern dithering and pattern flexible positioning function, pattern outer diameter:
- Prism: 1 eight-sided rotating prism + 1 mirror array, the prism rotates forward and reverse, and the speed is adjustable.
- Strobe: double-chip strobe 0.5-14 times/sec, support synchronous, asynchronous and random strobe modes, and adjustable speed.
- Atomization: 1 independent atomization effect, the light spot is soft and natural.
- Scanning range: X-axis 540°/630°/2.5 S, Y-axis 270°/1.5 S, resolution: 8Bit/16Bit.
- Display interface: adopt wide-screen 2.8-inch LCD display interface in Chinese and English.
- Intelligent heat dissipation: using wind direction drainage and temperature intelligent monitoring technology, according to the temperature of different positions of the lamp, the cooling fans in different parts of the lamp are automatically driven to effectively cool the lamp components.
- Precise positioning: The three-phase stepper motor has a magnetic encoder positioning function and precise X.Y. scanning positioning.

Specification

Input voltage	AC110V-240V 50/60Hz ,470W
Ballast	Electronic ballast
Light source	PHILIPS 280
Average lifespan	2000H
Color temperature	8500K
Beam angle	3°-12°, Wash/15°-32°
Control mode	DMX512 (ART-NET/RDM/DMX wireless, optional)
Channel	16/23 channels
Fixture material	High temperature resistant plastic + molded alloy material
Protection class	Ip30
Fixture size (L×W×H)	368×240×592mm
Package size (L×W×H)	470×430×565mm
Gross weight	22.3kg
Net weight	19.8kg

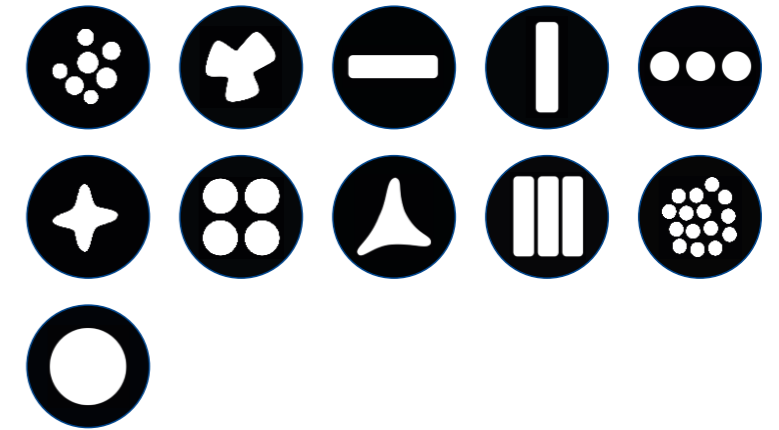
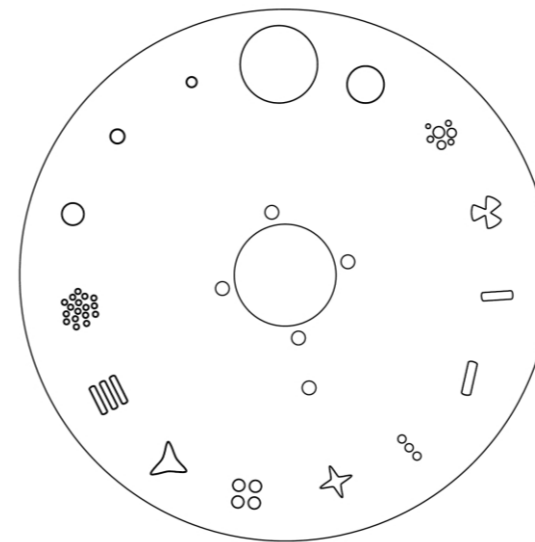
Color disc



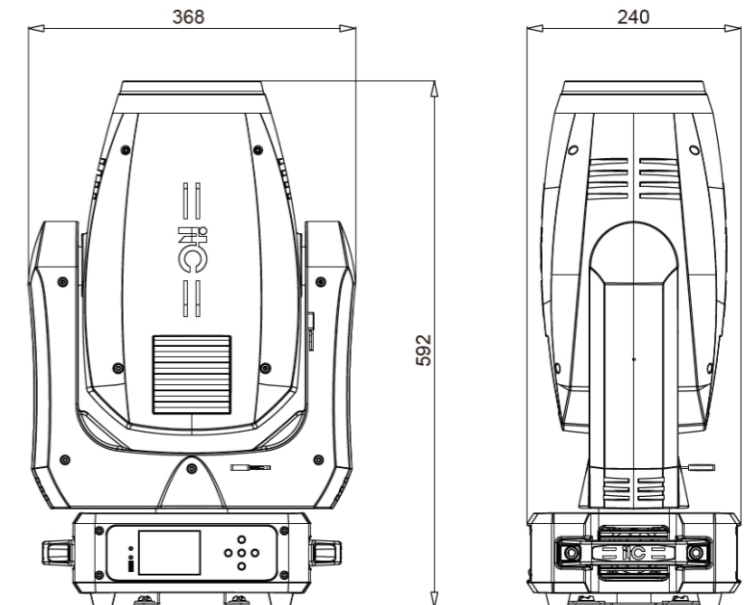
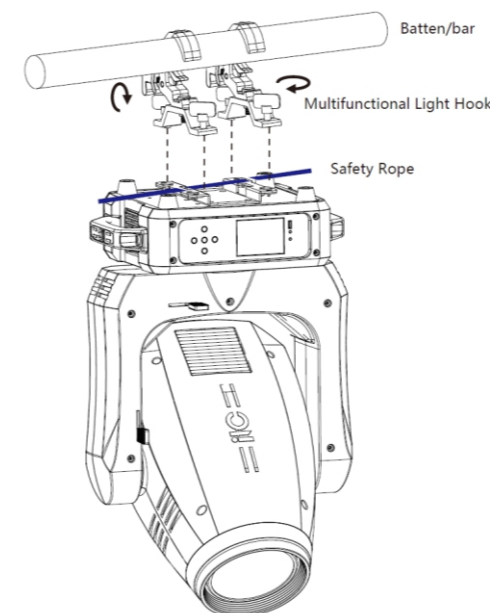
- | | |
|-----------------|------------------|
| 1. White circle | 8. Brown |
| 2. Red | 9. Blue Green |
| 3. Green | 10. Purple Red |
| 4. Blue | 11. Fluorescence |
| 5. Dark Yellow | 12. Brown yellow |
| 6. Yellow Green | 13. Light Yellow |
| 7. Rose Red | 14. Cool color |

Tip: when installing the color chip, face the coating towards the light source

Pattern disc



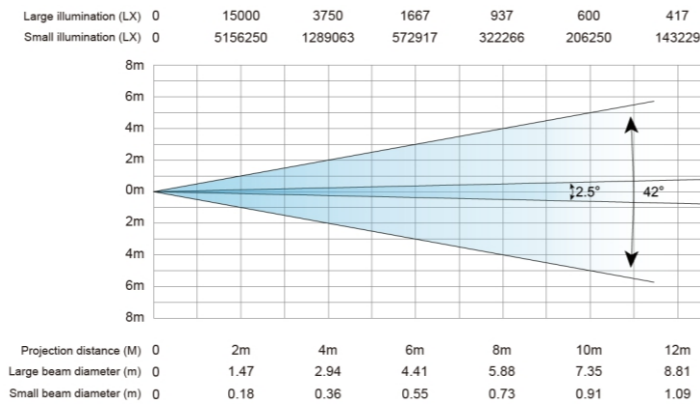
Installation





Moving Head Beam Light

TL-SL112



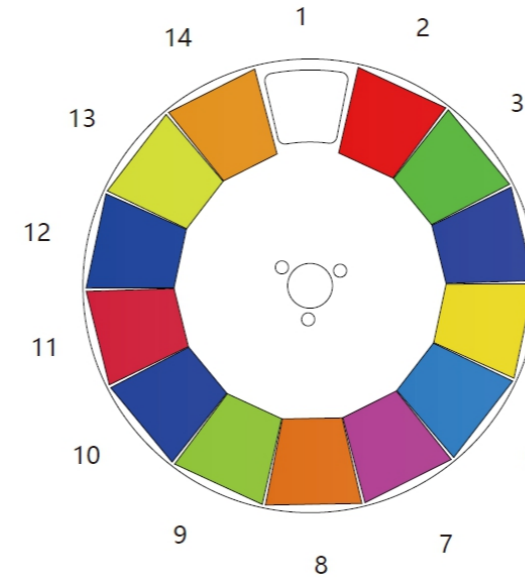
Features

- Optics: High-precision glass optical lens (6-layer coating); multi-stage optical lens group electronic focusing; linear amplification function.
- Color disc: 13 color chips + 1 white light; two-way rainbow effect; adjustable speed; arbitrary positioning function.
- Pattern system: 1 rotating gobo wheel: 9 gobos + white circle, with Pattern jitter and pattern arbitrary positioning function; pattern external diameter: 15mm; 1 fixed gobo wheel: 17 fixed gobos + 1 white light, unidirectional flow; speed adjustable; arbitrary positioning function.
- Effect gobo wheel: Flame effect, Water wave effect.
- 4 prisms: 8 rotating prisms + 6 rows of mirrors, 16 rotating prisms + honeycomb prisms rotate forward and backward; superposable; speed adjustable.
- Strobe: Double strobe 0.5-13 times/S, with synchronous, asynchronous, random strobe mode; speed adjustable.
- Atomization: 1 independent atomization effect, with soft and natural light spot.
- Scanning range: 630°/3.8S for X-axis, 270°/2.0S for Y-axis; accurate scanning and positioning.
- Display interface: Widescreen 2.8-inch LCD display interface in Chinese and English, with rechargeable battery; you can enter the menu to set the address code or perform other settings without power-on; Menu hierarchical structure, user-friendly graphical interface, which supports touch screen routine operations, including click, double click, slide and other operation gestures.
- Intelligent heat dissipation: With wind drainage and temperature intelligent monitoring technology, according to the temperature of different positions of the lamp, it can automatically drive the cooling fan in different parts of the lamp to effectively cool the lamp components.
- Special functions: Gyroscope: Turn on the gyroscope function to realize Y-axis automatic compensation and calibration, autofocus: 3-25.5 meters autofocus.

Specification

Input voltage	AC110V-240V 50/60Hz,480W
Ballast	Electronic ballast
Light source	PHILIPS 380
Average life span	2000H
Color temperature	7800K
Beam Angle	2.5°~42°
Control mode	DMX512 protocol; support RDM protocol and program online update function; support Art-net Ethernet data interface (DMX wireless function optional)
Channel	18/22 channel
Lamp material	High temperature resistant plastic10. Protection level: Ip20
Lamp size (L×W×H)	390×275×630mm
Package size (L×W×H)	515×480×640mm
Net weight	20kg
Gross weight	23.5kg

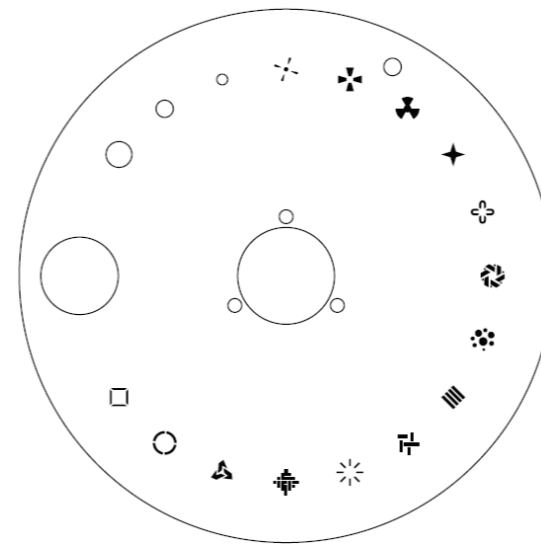
Color disc



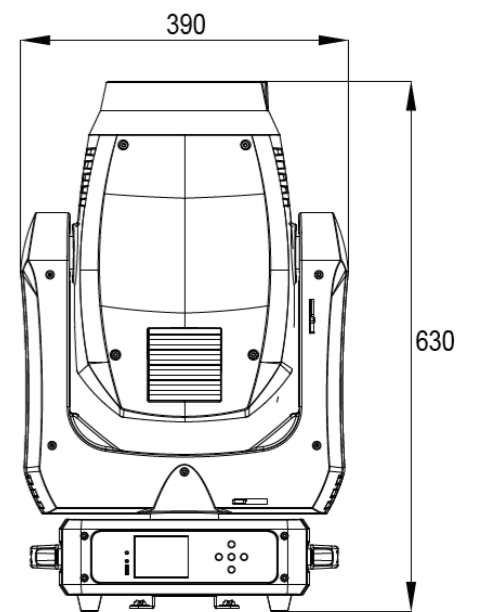
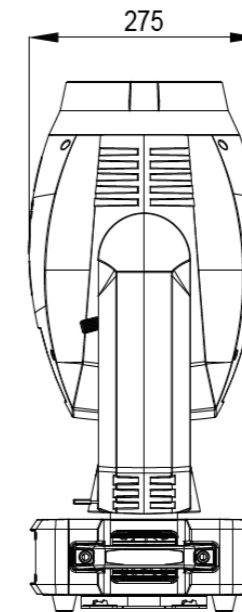
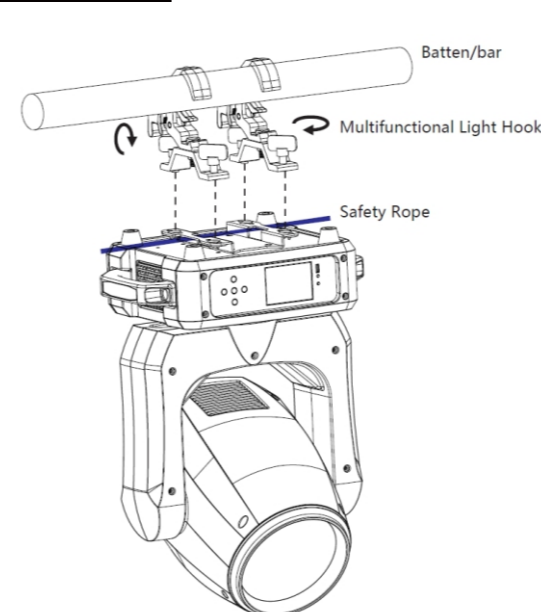
- | | |
|-----------------------|----------------|
| 1.White circle | 8.Brownish red |
| 2.Da Hong | 9.Yellow green |
| 3.Green | 10.Blue green |
| 4.Blue | 11.Light red |
| 5.Orange yellow | 12.Deep Blue |
| 6.Light Purple Orchid | 13.Yellow |
| 7.Rose red | 14.Cooling |

Tip: when installing the color chip, face the coating towards the light source

Pattern disc



Installation

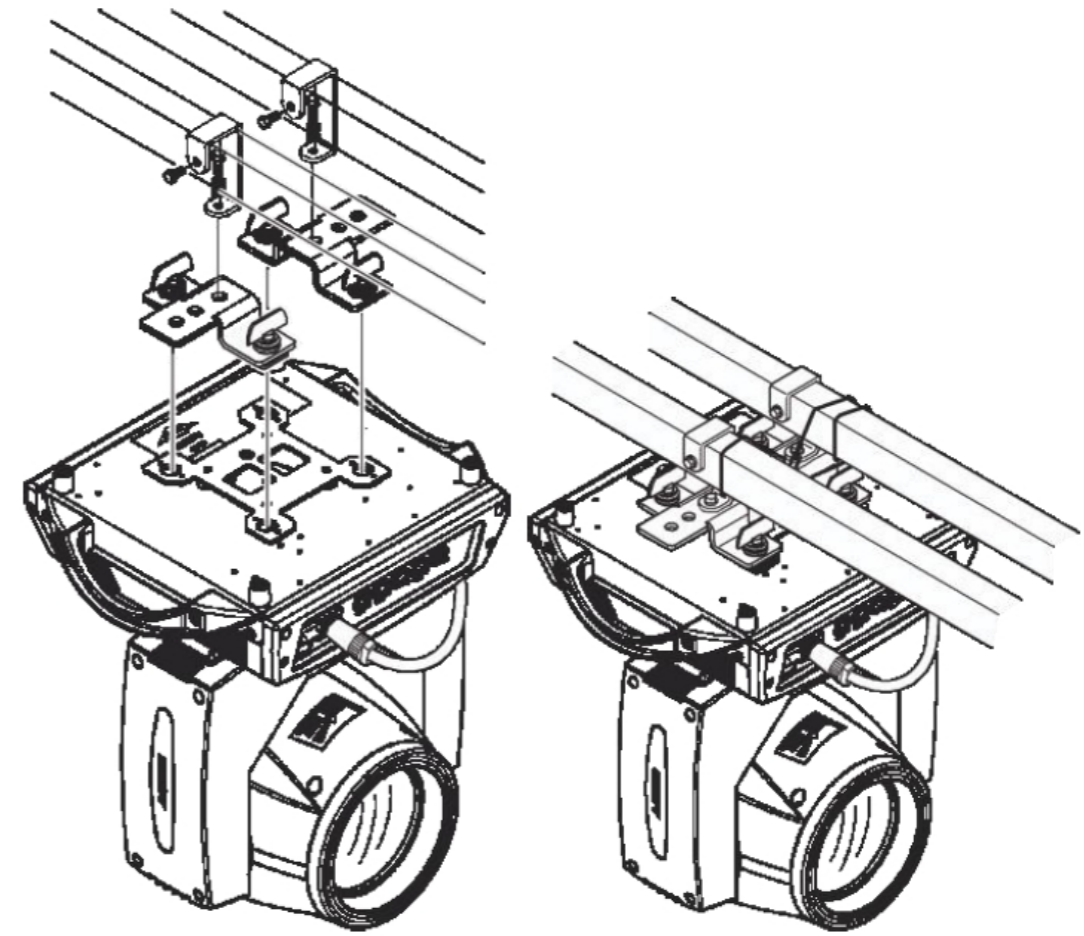




Moving Head Beam Light (3 in 1)

TL-SL112B

Installation



Features

1. Optics: high-precision glass optical lens (6-layer coating film), multi-level optical lens group electronic focusing, and linear magnification function.
2. Color wheel: 13 color gels + 1 white light, bidirectional rainbow effect, adjustable speed, and flexible positioning function.
3. Fixed gobo wheel: 12 fixed gobos + 1 white light, pattern dithering, one-way flow effect, adjustable speed, and flexible positioning function.
4. Effect gobo wheel: flame effect and water ripple effect.
5. Rotating gobo wheel: 7 rotatable gobos + 1 white light, bidirectional rotation, pattern dithering and water flow effects.
6. Prism: one rotating octagonal prism + one rotating hexadecagon prism, bidirectional rotation, and adjustable speed.
7. Strobe: double-chip stroboscopic 0.5-14 times/sec, support synchronous, asynchronous, random stroboscopic mode, and adjustable speed.
8. Atomization: 1 independent atomization effect with soft and natural light spot.
9. Scan range: X-axis 540°/2.5 S, Y-axis 270°/1.5 S; resolution: 8Bit/16Bit.
10. Display interface: a 2.8-inch widescreen LCD interface in Chinese and English.
11. Intelligent control: support the horizontal and vertical photoelectric reset, which can automatically check and reset the light when a misoperation occurs; the three-phase stepper motor makes the movement faster and smoother; built-in overheat protection and intelligent cooling system can remotely turn on/off the light and control the power.

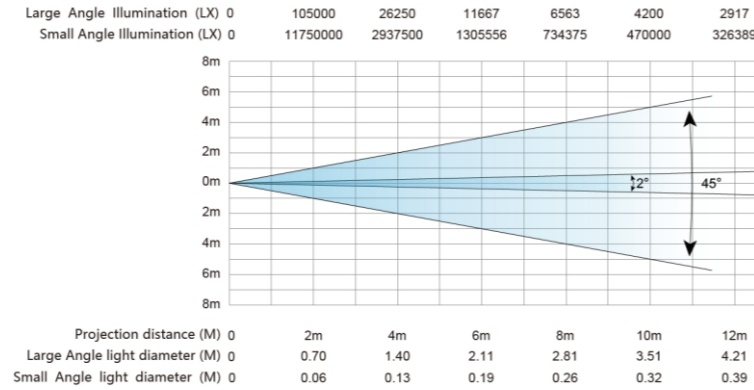
Specification

Input voltage	AC110V-240V 50/60Hz, 500W
Ballast	Electronic ballast
Light source	17R/YODN MSD 350
Average lifespan	2000H
Color temperature	7800K
Beam angle	Zoom /2.8-48° Spot/5- 20° Wash/ 15-65°
Control mode	DMX512 (ART-NET/RDM/DMX wireless, optional)
Channel	17/24 channels
Fixture material	High temperature resistant plastic + molded alloy material
Protection class	Ip20
Fixture size (L×W×H)	400×300×600mm
Package size (L×W×H)	490×460×720mm
Gross weight	25.1kg
Net weight	22.4kg



Moving Head Beam Light

TL-SL113



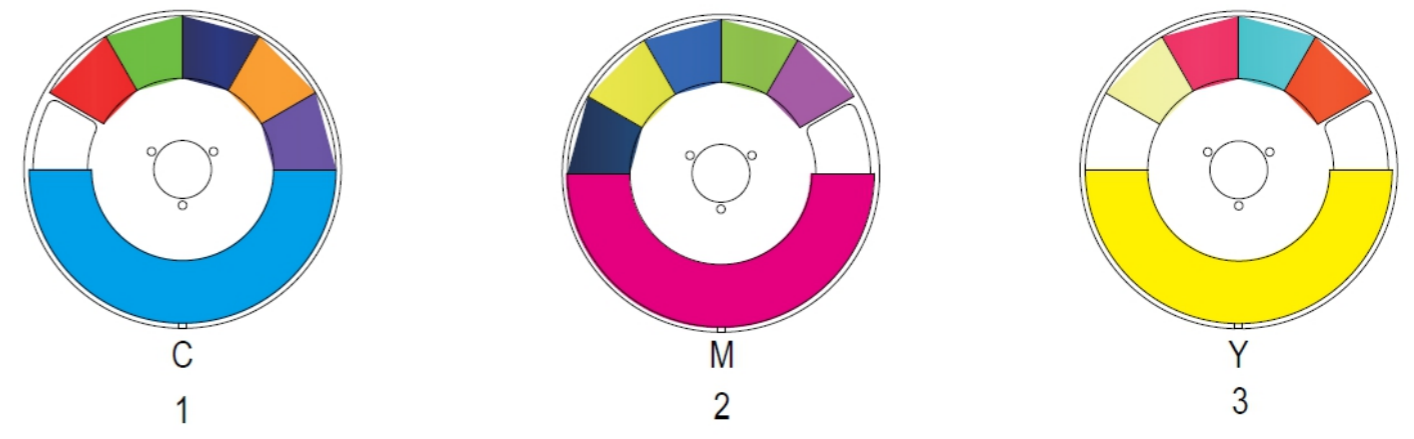
Features

- *Optical system: high-precision glass optical lens (6-layer coating), multi-level optical lens group electronic focusing, linear magnification function.
- *Color system: CMY stepless color mixing, multi-point color temperature change (7800K, 3200K, 2500K), 15 colors/three color disks (5 color gels + white light on each color disk), three color wheel stacking can produce richer colors.
- *Gobo system: 1 rotatable gobo wheel: 9 gobos + white circle, with pattern dithering and pattern flexible positioning function, pattern outer diameter: 15mm, 1 fixed gobo wheel: 17 fixed gobos + 1 white light, one-way flowing effect, adjustable speed, flexible positioning function.
- *Effect gobo wheel: flame effect, water effect.
- *Prism: rotating octagonal prism + 6 row lens, rotating hexadecagon prism + honeycomb prism, support tow-way rotation, superimposition, and adjustable speed.
- *Strobe: double-chip strobe 0.5-13 times/sec, support synchronous, asynchronous and random strobe modes, and adjustable speed.
- *Atomization: 1 independent atomization effect, the light spot is soft and natural.
- *Scanning range: X-axis 630°/3.8 S, Y-axis 270°/2.0 S, accurate scanning and positioning.
- *Display interface: a widescreen 2.8-inch LCD interface in Chinese and English, with rechargeable battery, you can enter the menu to set the address code and make other settings without powering on; the menu hierarchical structure, friendly graphical interface, general operations including operation gestures such as click, double-click, and slide.
- *Intelligent heat dissipation: using wind direction drainage and temperature intelligent monitoring technology, according to the temperature of different positions of the lamp, the cooling fans in different parts of the lamp are automatically driven to effectively cool the lamp components.
- *Gyroscope: enable the gyroscope function, and the Y-axis is automatically compensated and calibrated.
- *Autofocus: 3-25.5 meters autofocus.

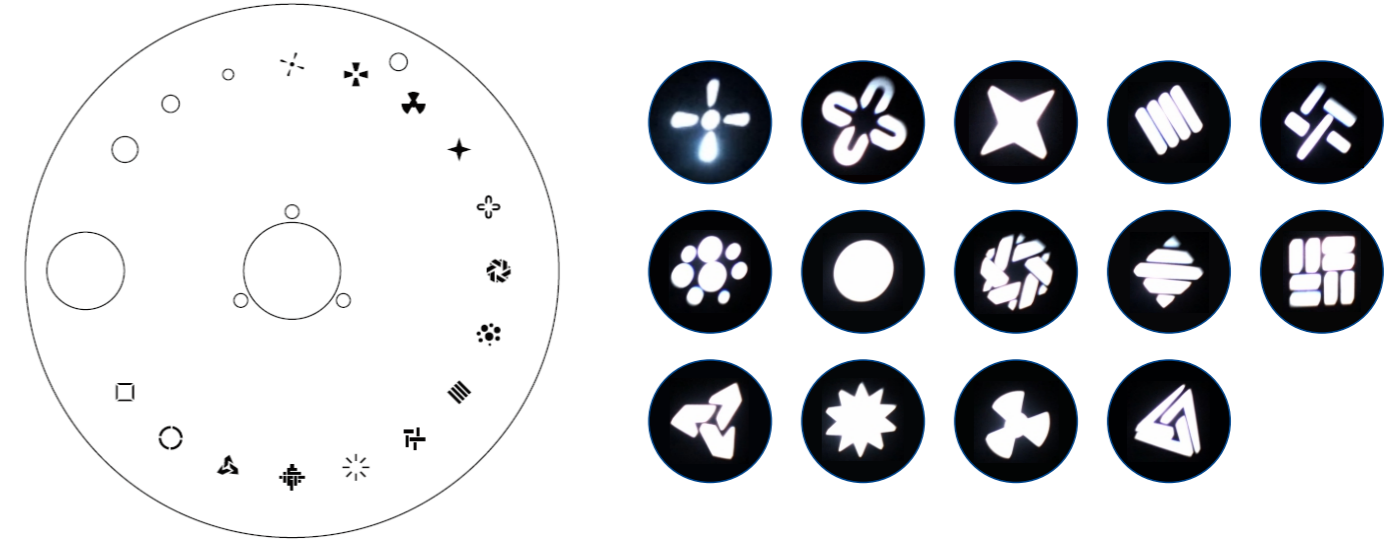
Specification

Input voltage	AC110V-240V 50/60Hz, 560W
Ballast	Electronic ballast
Light source	PHILIPS 460
Average lifespan	2000H
Color temperature	7800K
Beam angle	2°~45°
Control mode	DMX512 protocol, support RDM protocol and program online update function; support Art-net Ethernet data interface (DMX wireless function optional)
Channel	25/19 channels
Fixture material	High temperature resistant plastic
Protection class	Ip20
Fixture size (L×W×H)	390×275×630mm
Package size (L×W×H)	515×480×640mm
Net weight	23.5kg
Gross weight	27kg

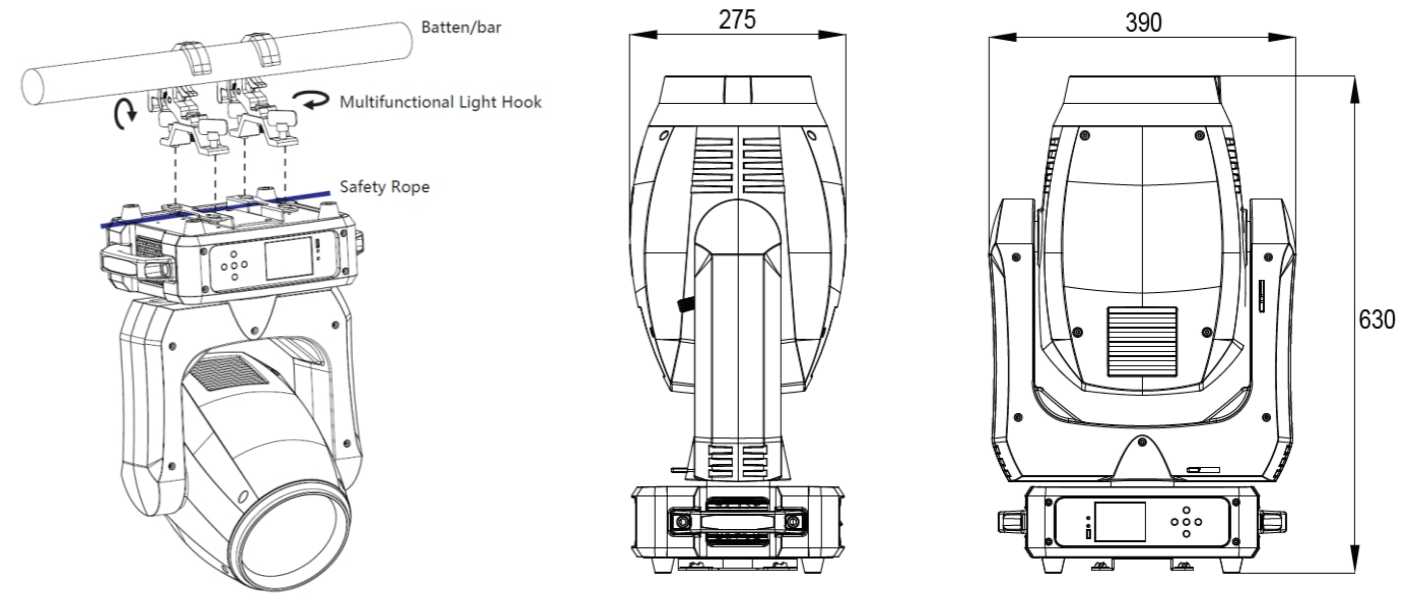
Color disc



Pattern disc



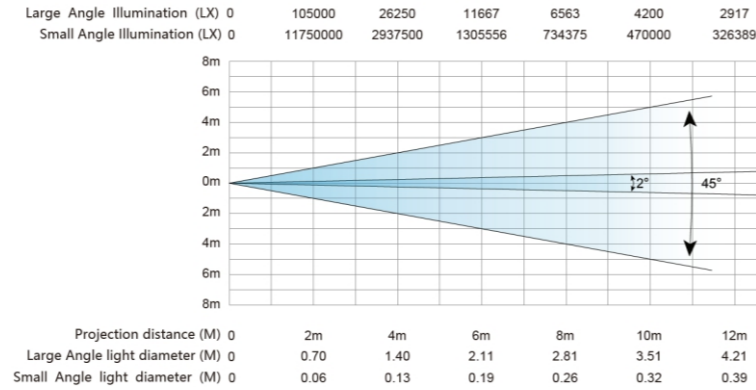
Installation





Moving Head Beam Light

TL-SL113B



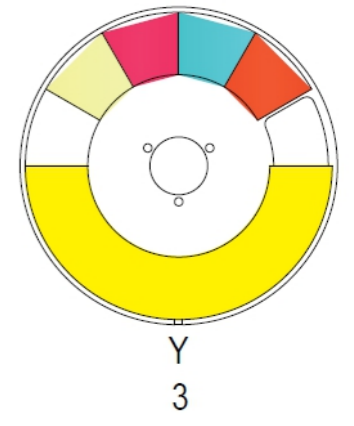
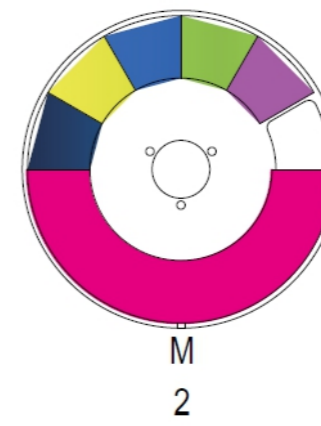
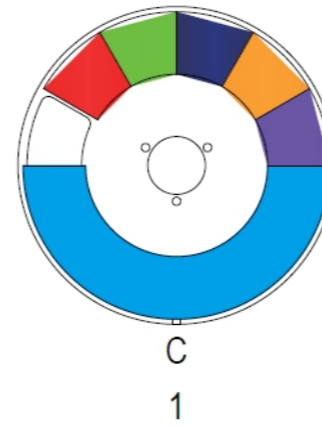
Features

- * Color wheel: 11 color gels + 1 white light, colorful lens + atomization, CMY+CTO linear wireless color.
- * Fixed gobo wheel: 17 fixed gobos + 1 white light, pattern dithering, one-way flow effect, adjustable speed, and flexible positioning function.
- * Rotating gobo wheel: 8 rotatable gobos + 1 white light, two-way rotation, pattern dithering and water flow effects.
- * Focusing: ultra-smooth electronic focusing.
- * Prism: hexadecagon prism + 2 trapezoidal lenses, two-way rotation, and adjustable speed.
- * Strobe: the maximum stroboscopic speed is 20 times/sec, and random or pulse strobe is optional.
- * Atomization: 0-100% soft light effect.
- * Scanning range: X-axis 540°/2.5S, Y-axis 270°/1.5S; resolution: 16Bit.
- * Display interface: a 2.8-inch widescreen LCD interface in Chinese and English that can be flipped; menu button supports the setting of over-temperature protection; by charging the mobile power supply through the MICRO USB port, the address code can be set, and no need to connect to the power supply.
- * Other function: the input signal has an isolation protection function to ensure stable signal transmission without interference; with intelligent over temperature protection, the light is automatically turned off when it is overheated.

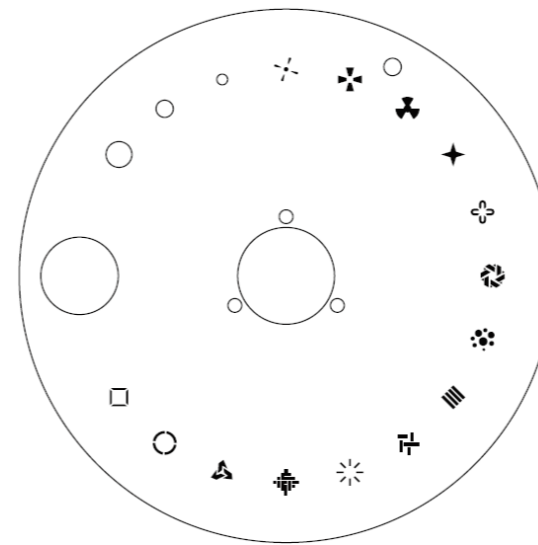
Specification

Input voltage	AC110V-240V 50/60Hz, 600W
Ballast	Electronic ballast
Light source	OSRAM SIRIUS HRI 461W
Average lifespan	2000H
Beam angle	Zoom /2° Spot/7-40° Wash/ 7-45°
Control mode	DMX512 protocol, compatible with RDM function, support online program update
Channel	24/29/36 channels
Fixture material	High temperature resistant plastic + molded alloy material
Protection class	Ip20
Fixture size (L×W×H)	389×267×688mm
Package size (L×W×H)	480×460×785mm
Gross weight	28.5kg
Net weight	25.5kg

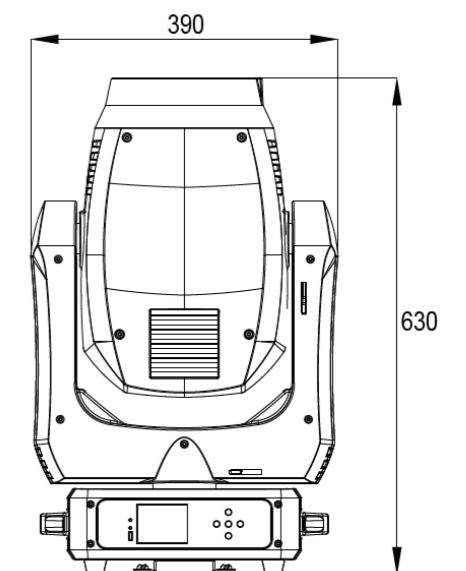
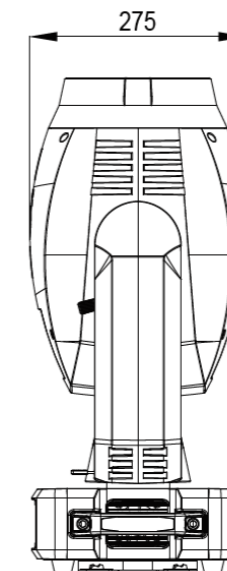
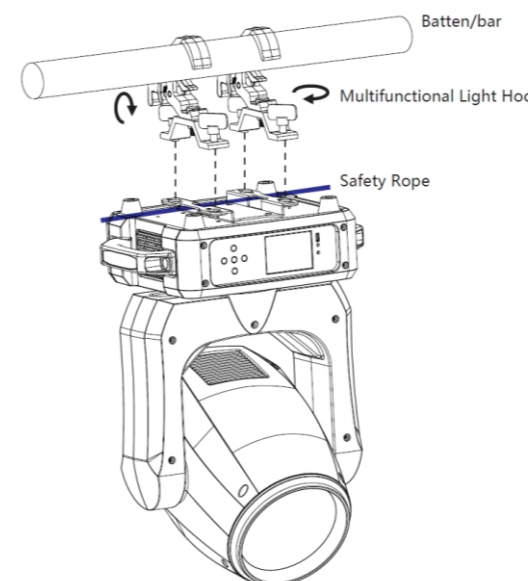
Color disc



Pattern disc



Installation





Moving Head Beam Light

TL-SL143



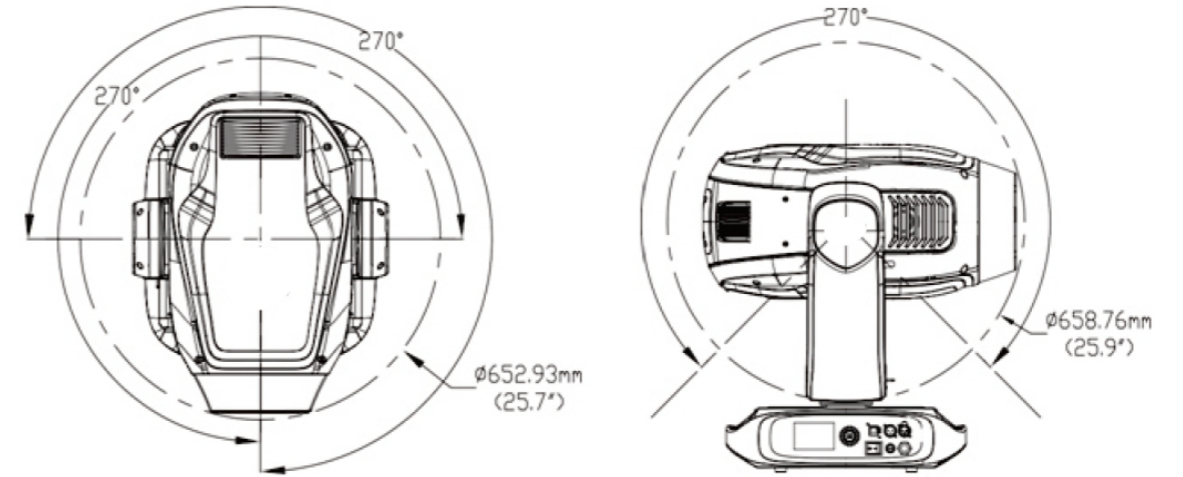
Features

- * Optical lens: three sets of high-quality optical components, anti-reflection coating film, and 160mm light-emitting lens.
- * Lamp holder: PGJ28 Lok-it.
- * Total luminous flux output $\geq 36000\text{lm}$.
- * Color rendering index: $R_a \geq 93$, $R_9 \geq 93$.
- * Uniformity: $\geq 80\%$.
- * Color: CMY stepless color mixing, good color (RGB) output saturation, pure color and high brightness. CTO color temperature, and 3200-6000k linear adjustment. Fixed color wheel, 7 colors + white light, support bidirectional color rainbow, stepping, sliding gradient, and random color mode.
- * Pattern: 1 rotatable gobo wheel, 5 bidirectional rotating positioning gobos; support rotation, water flow and dithering effect; 16bit precise positioning of the gobo wheel, 1 fixed gobo wheel, 9 gobos + 1 white light, support bidirectional water flow effect. A dynamic wheel can simulate the effects of clouds, flames, water flows and so on.
- * Graphics cutting: equipped with one set of four-piece full-process graphics cutting system, the cutting graphics can be rotated by 90° , and the full-process cutting only takes 0.2 seconds.
- * Effect: 1 rotatable quadrilateral prism, two-gear atomization film design with bidirectional rotation function, soft and uniform light, high-brightness output and independent dimming device, 0-100% dimming control, and multiple dimming curve options.
- * Strobe: fast stroboscopic device, stroboscopic speed is 0.8-15 times/sec, multiple strobe modes: pulsation, asynchronous, synchronous, random slow, medium and fast mode.
- * Fast electric aperture 5-100% linear adjustment, with macro function and multi-effect changing.
- * Scan range: horizontal 540° , accuracy: 8bit, 2.11° , 16bit, 0.008° ; vertical 270° , accuracy: 8bit, 1.06° , 16bit, 0.004° .

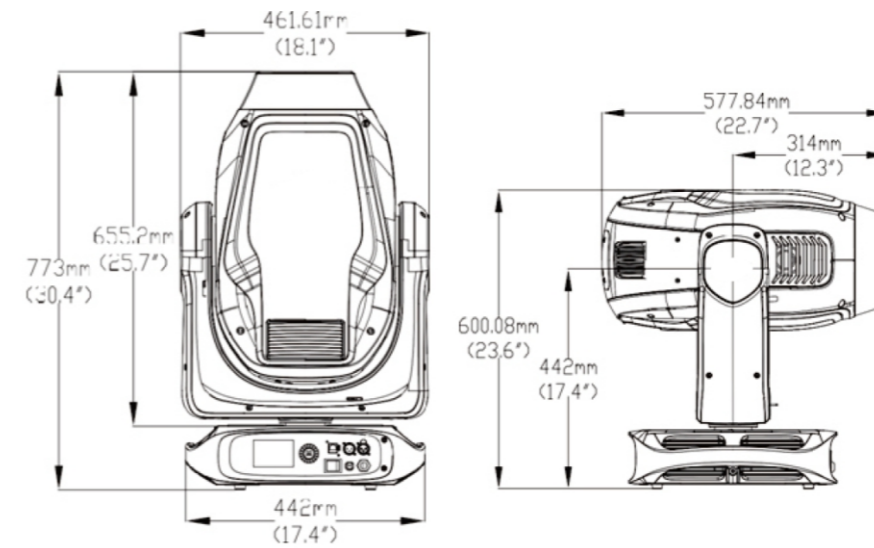
Specification

Input voltage	AC200V-240V 50/60Hz, 1800W
Light source	OSRAM Lok-it 1400-PS_Brilliant
Average lifespan	750H
Color temperature	6000K
Luminous flux	120000 lm
Focusing angle	Electronic zoom: $9^\circ \sim 50^\circ$
Control mode	Standard DMX512 protocol, Art-net Ethernet light control protocol and wireless DMX512 control (optional)
Channel	32/35/ 56 channels
Fixture material	Aluminum alloy structure + modular structure assembly of reinforced flame-retardant plastic housing
Protection class	Ip20
Fixture size (L×W×H)	578×462×773mm
Package size (L×W×H)	615×515×860mm (with flight case)
Gross weight	80kg (with flight case)
Net weight	43kg

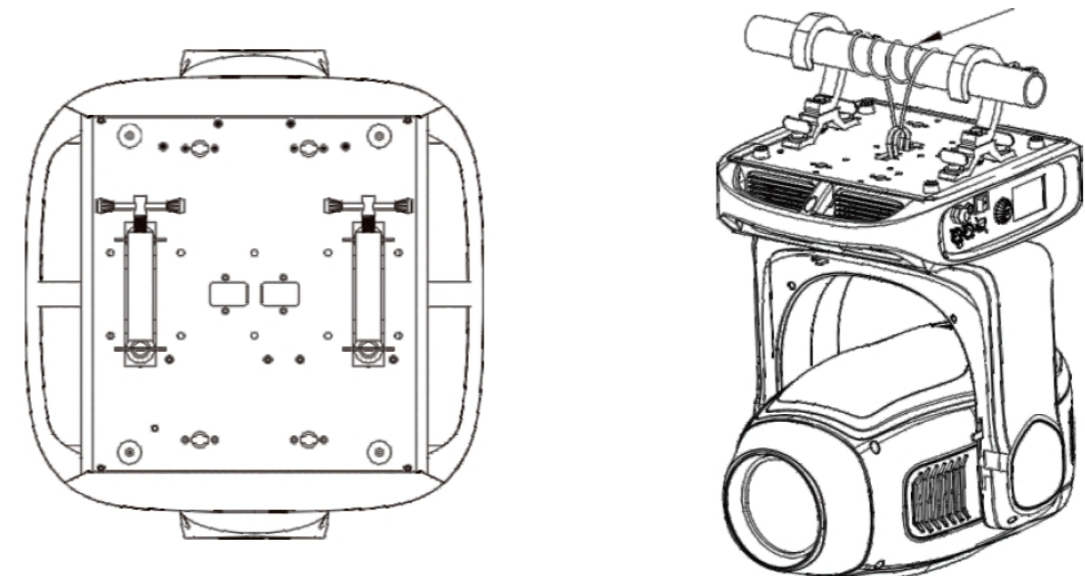
Lamp use Angle range



Outline dimensional drawing



Installation





Moving Head Beam Light

TL-SL154



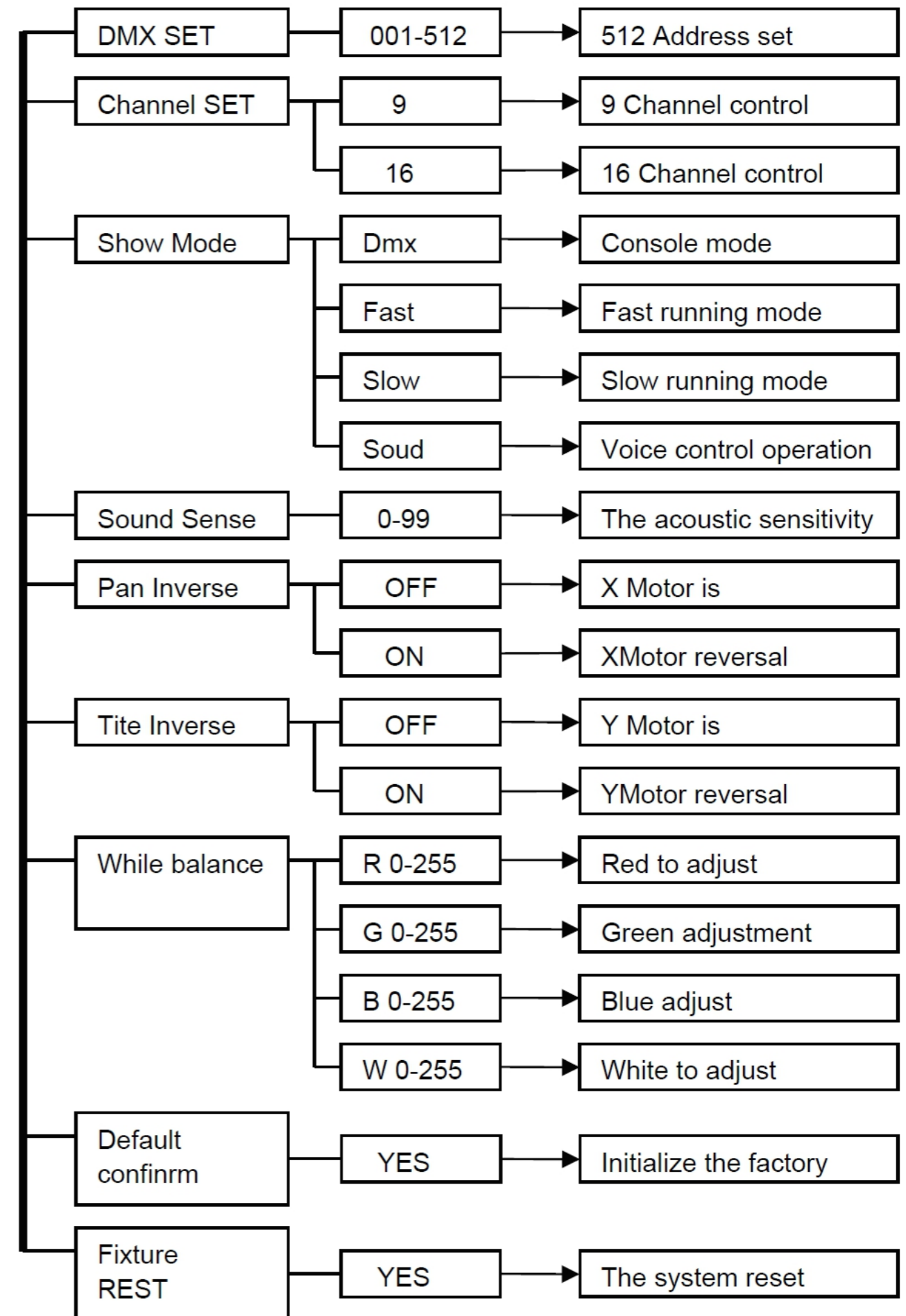
Features

- * Dimming: 0-100% linear adjustment.
- * Color mixing: RGBW stepless color mixing.
- * Strobe: 1-25 times/sec (conventional strobe, thunder strobe, random strobe, suddenly dark gradually brighter strobe, suddenly bright gradually darker strobe).
- * Scan range: X-axis 540 degrees; Y-axis 270 degrees; fast running speed, mute, and adjustable speed.
- * Scanning fine-tuning: X/Y axis 16BIT scanning subdivision for accurate positioning.

Specification

Model	TL-SL154
Input voltage	AC110V-240V 50/60Hz, 150W
Light source	12*10W(4IN1) LED
Average lifespan	50000H
Beam angle	15°
Control mode	DMX512 signal control mode, master-slave control mode (multiple device synchronization) with self-propelled program voice control mode
Channel	9/16 channels
Fixture material	High temperature resistant plastic + molded alloy material + heat dissipation method / air cooling
Protection class	Ip20
Fixture size (L*W*H)	240*150*340mm
Package size (L*W*H)	310*210*360mm
Gross weight	5.4kg
Net weight	4.8kg

Panel control interface





Moving Head Beam Light

TL-SL155



Safety instruction

Warning: danger of serious injury or death	Warning: consult the manual before installation, power on, or repair	Warning: fatal or serious electric shock hazard	Warning: fire	Warning: hot surface is dangerous to burn, do not touch	Warning: danger of eye injury, please wear goggles	Warning: danger of hand injury, please wear gloves
Only suitable for lights directly installed on the surface of non-combustible materials	Replace all shattered protective covers	Shortest distance from the illuminated object (m)	Rated maximum ambient temperature	Indoor use only	Do not point the lens towards the sun or strong light	Operation is not allowed during running

Features

- * Dimming: 0-100% linear adjustment.
- * Color mixing: RGBW stepless color mixing.
- * Strobe: 1-25 times/sec (conventional strobe, thunder strobe, random strobe, suddenly dark gradually brighter strobe, suddenly bright gradually darker strobe).
- * Scan range: X-axis 540 degrees, with self-recovery closed-loop system; Y-axis 270 degrees, with self-recovery closed-loop system.
- * Scanning fine-tuning: X/Y axis 16BIT scanning subdivision for accurate positioning.

Specification

Input voltage	AC110V-240V 50/60Hz 188W
Light source	19*15W(4IN1)
Average lifespan	50000H
Focusing range	8°-26°
Control mode	DMX512 signal control mode, master-slave control mode (multiple device synchronization) with self-propelled program voice control mode.
Channel	16/24 channels
Fixture material	High temperature resistant plastic + molded alloy material + heat dissipation method / air cooling
Protection class	Ip20
Fixture size (L×W×H)	309×222×366mm
Package size (L×W×H)	360×260×460mm
Gross weight	9.7kg
Net weight	8.0kg

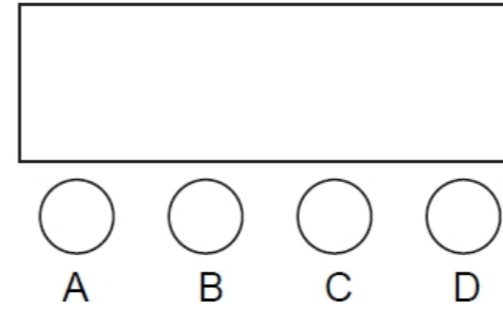


Moving Head Beam Light

TL-SL156



Schematics section



- A: Function key
- B: Add key
- C: Reduce key
- D: Confirm key
- E: LED display

Features

- * Dimming: 0-100% linear adjustment.
- * Color mixing: linear adjustment, RGB256×256×256 stepless color mixing.
- * Strobe: 1-18 times/sec (conventional strobe, thunder strobe, random strobe, suddenly dark gradually brighter strobe, suddenly bright gradually darker strobe.)
- * Scan range: X-axis 540 degrees, with self-recovery closed-loop system; Y-axis 270 degrees, with self-recovery closed-loop system.
- * Scanning fine-tuning: X/Y axis 16BIT scanning subdivision for accurate positioning.

Specification

Model	TL-SL156
Input voltage	AC110V-240V 50/60Hz, 400W
Light source	36*10W(4IN1) LED
Average lifespan	50000H
Focusing range	15-60°
Channel	17 channels
Control mode	DMX512 signal control mode, master-slave control mode (multiple device synchronization) with self-propelled program voice control mode
Fixture material	High temperature resistant plastic + molded alloy material + heat dissipation method / air cooling
Protection class	Ip20
Fixture size (L×W×H)	350×240×460mm
Package size (L×W×H)	420×300×390mm
Gross weight	10.7kg
Net weight	9.3kg



Moving Head Beam Light

TL-SL157



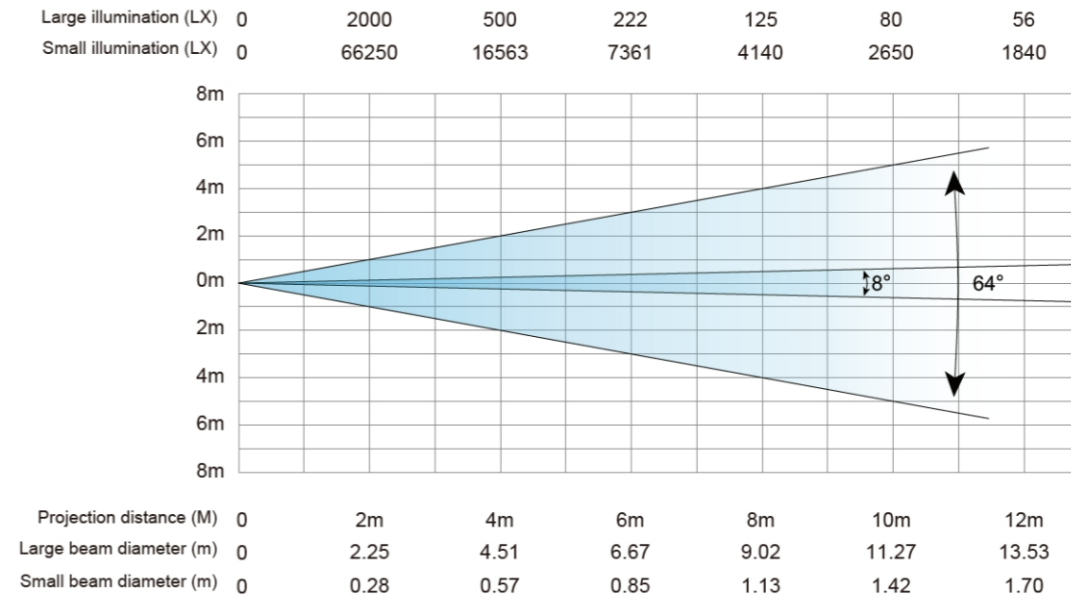
Features

- * Color mixing system: integrated powerful beam and dyeing functions.
- * Controllable, uniform RGBW color mixing system and rainbow effect.
- * CTO color temperature adjustment (2500K-8000K).
- * Focusing: linear focusing system, 0~100% smooth dimming.
- * Scanning range: X-axis 540~630°/2.7S, Y-axis 210°/1.5S, accurate scanning and positioning.
- * Outstanding strobe effect with variable speed.
- * Compact structure and small size.
- * Fast running speed, no noise in operation, no flicker under HD camera.

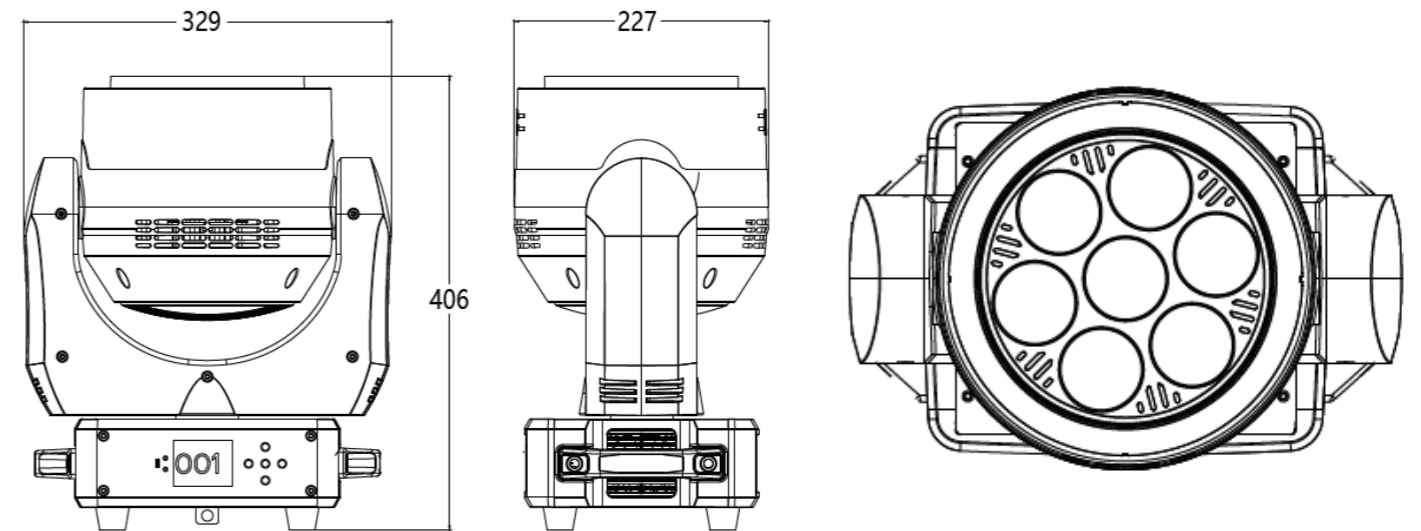
Specification

Model	TL-SL157
Input voltage	AC110V-240V 50/60Hz, 350W
Light source	7 × 40W RGBW LED lamp bead
Lens outer	36 × 0.5W RGB 3IN1 LED
Beam angle	8°~64°
Average lifespan	50000H
Control mode	DMX512 protocol, support RDM protocol and program online update function, support Art-net Ethernet data interface, DMX wireless function is optional
Channel	15 channels
Fixture material	High temperature plastic + molded alloy material
Protection class	Ip30
Fixture size (L×W×H)	329×227×406mm
Package size (L×W×H)	505×420×290mm
Gross weight	11.6kg
Net weight	9.3kg

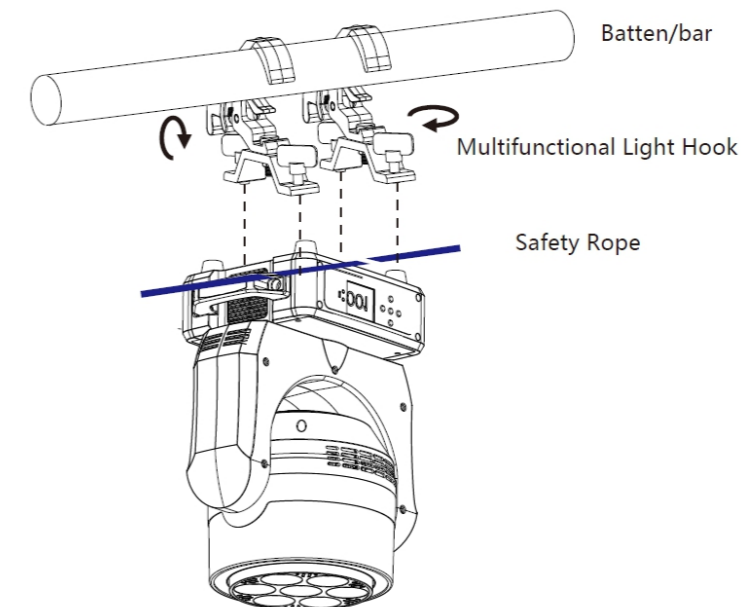
Light effect diagram



Fixture size drawing (mm)



Installation





Moving Head Beam Light

TL-SL162



Large illumination (LX)	0	4875	1218	542	304	195	135
Small illumination (LX)	0	15000	3750	1667	937	600	417

Projection distance (M)	0	2m	4m	6m	8m	10m	12m
Large beam diameter (m)	0	0.72	1.44	2.16	2.89	3.61	4.33
Small beam diameter (m)	0	0.40	0.79	1.19	1.58	1.98	2.38

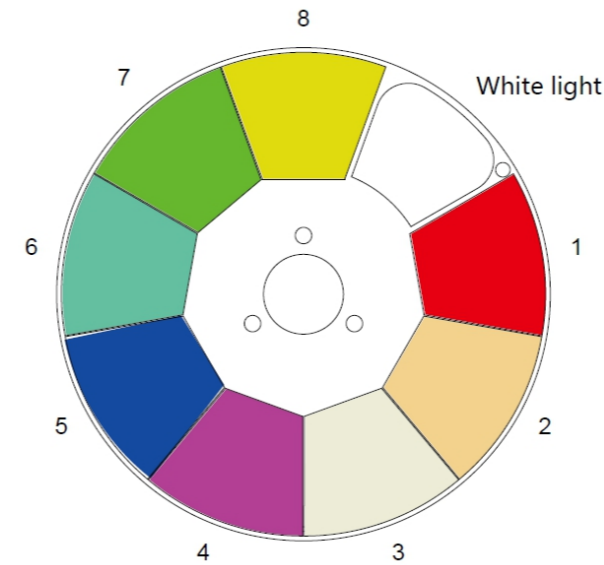
Features

1. Optics: three sets of optical lenses (3-layer coating) with high temperature resistance and strong light transmittance.
2. Color wheel: 8 color gels + 1 white light, bidirectional rainbow effect, adjustable speed, flexible positioning function.
3. Fixed gobo wheel: 11 fixed gobos + 1 white light, one-way flow, adjustable speed, flexible positioning function.
4. Rotating gobo wheel: 7 replaceable gobos + white light.
5. Focusing: Electronic Auto Focus.
6. Prism: triangular rotating prism, bidirectional rotation, and adjustable speed.
7. Strobe: synchronous, asynchronous and random strobe modes, and adjustable speed.
8. Atomization: 1 independent atomization effect, the light spot is soft and natural.
9. Scanning range: X-axis 630°/2.7 S, Y-axis 270°/1.5 S, precise scanning and positioning.
10. Display interface: a wide-screen 2.4-inch LCD interface in Chinese and English, with rechargeable battery, you can enter the menu to set the address code and perform other settings without powering on; the menu is hierarchically structured and has a friendly graphical interface.
11. Intelligent heat dissipation: using wind direction drainage and temperature intelligent monitoring technology, built-in NTC temperature control function, when the LED is overheated, it will intelligently reduce the output power.
12. Gyroscope: enable the gyroscope function, and the Y axis is automatically compensated and calibrated.
13. Autofocus: 3-25.5 meters autofocus.

Specification

Input voltage	AC110V-240V 50/60Hz, 170W
LED light source	120W
Average lifespan	50000H
Color temperature	8000K
Beam angle	11~21°
Control mode	DMX512 protocol, support RDM protocol and program online update function, support Art-net Ethernet data interface (DMX wireless function optional)
Channel	19 channels
Fixture material	High temperature plastic + molded alloy material
Protection class	Ip20
Fixture size (L×W×H)	310×210×461mm
Package size (L×W×H)	385×365×490mm
Gross weight	13.3kg
Net weight	10.7kg

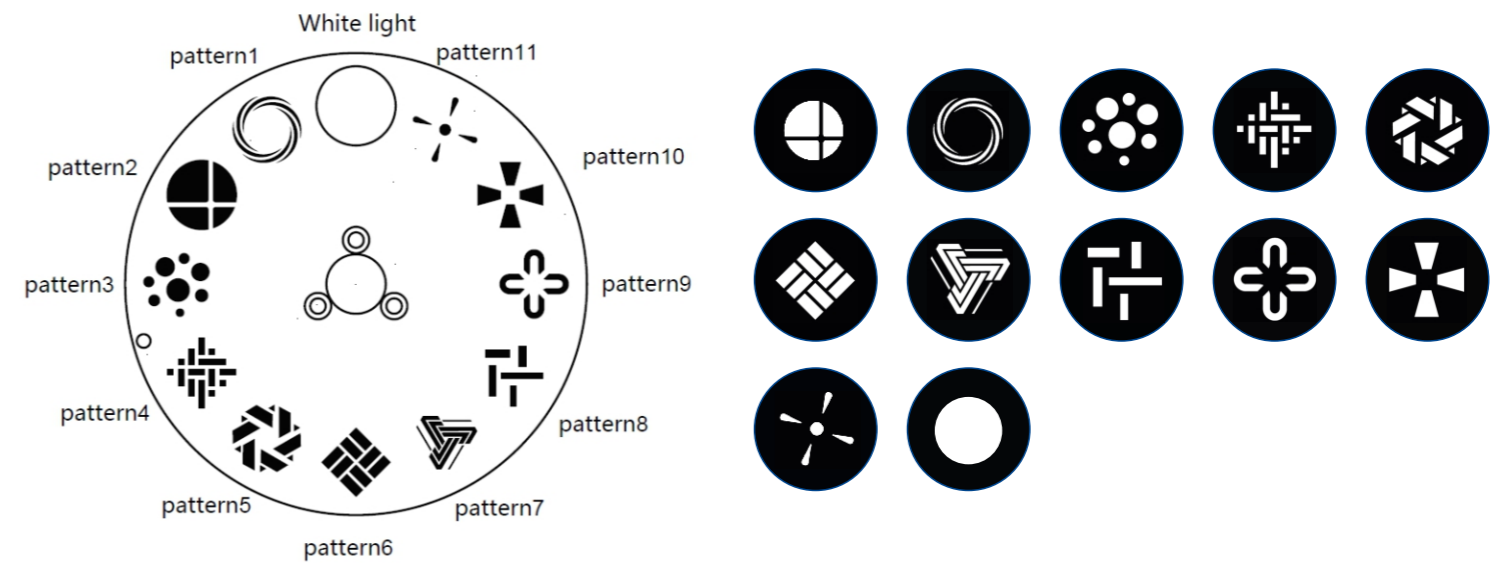
Color disc



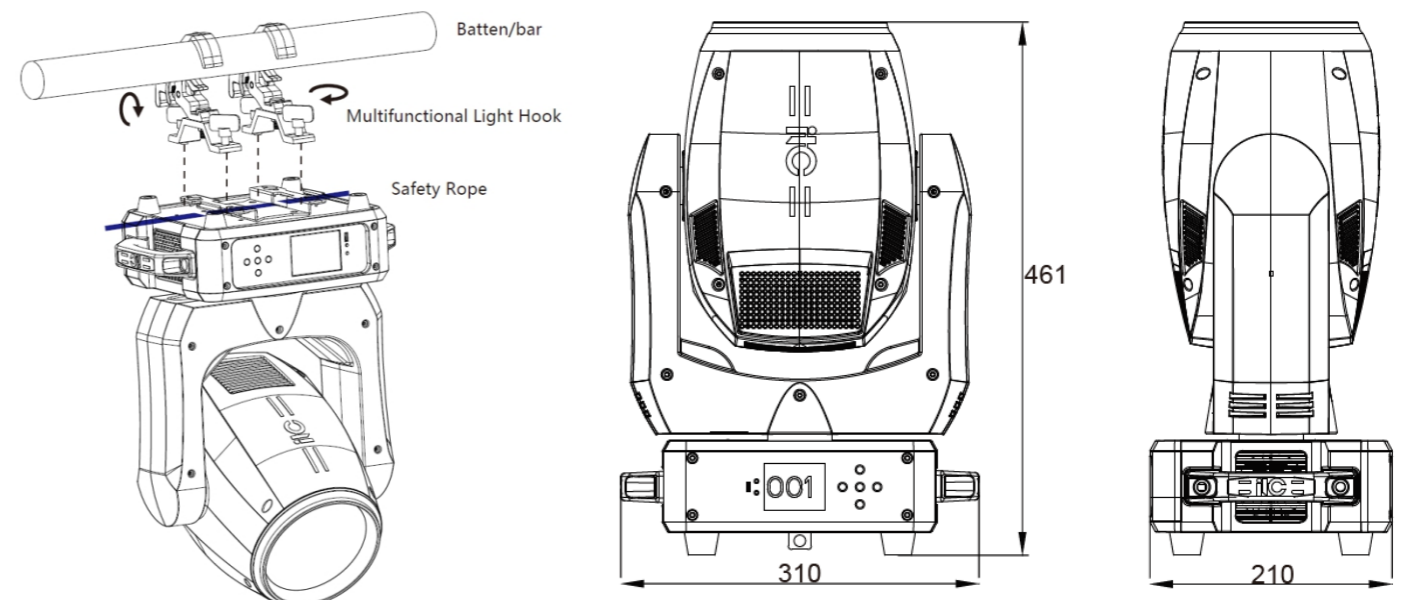
- 1.Red
- 2.CTO 3200K
- 3.CTO 5600K
- 4.Rose red
- 5.Blue
- 6.Indigo
- 7.Green
- 8.Yellow

Tip: when installing the color chip, face the coating towards the light source

Pattern disc



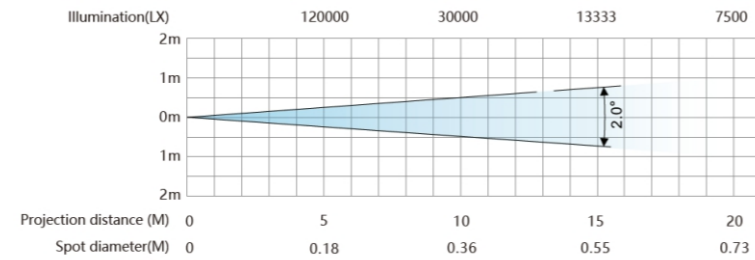
Installation





Moving Head Beam Light

TL-SL171



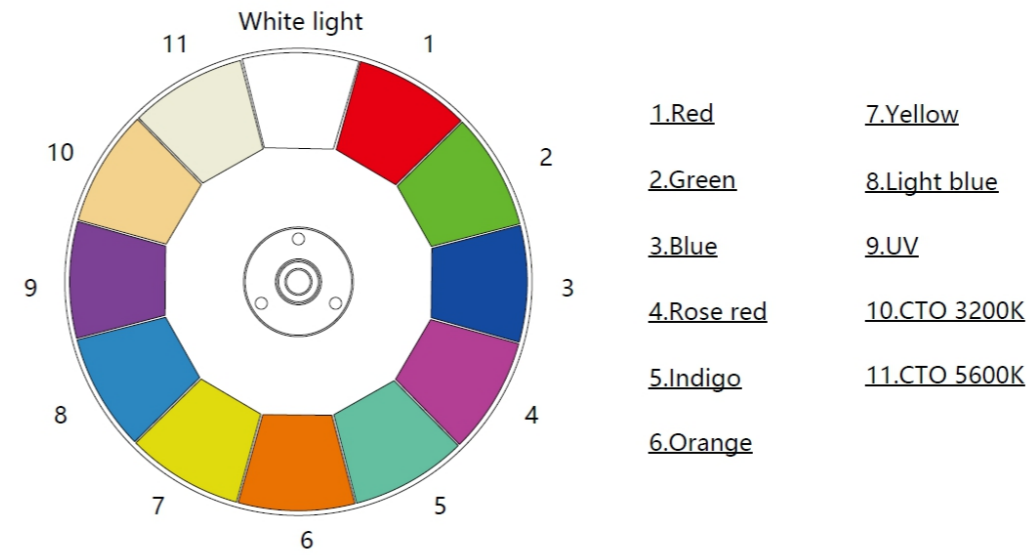
Features

1. Optics: 2 sets of optical lenses (3-layer coating film) with high temperature resistance and strong transmittance.
2. Color wheel: 11 color gels + 1 white light, bidirectional rainbow effect, adjustable speed, and flexible positioning function.
3. Fixed gobo wheel: 14 fixed gobos + 1 white light, one-way flow, adjustable speed, and flexible positioning function.
4. Prism: octagonal rotating prism + 4 row lens, bidirectional rotation, superimposition effect, and adjustable speed.
5. Strobe: synchronous, asynchronous, random strobe modes, and adjustable speed.
6. Atomization: 1 independent atomization effect, the light spot is soft and natural.
7. Scanning range: X axis 630°/2.7S, Y axis 270°/1.5S, accurate scanning positioning.
8. Display interface: a wide-screen 2.4-inch LCD interface in Chinese and English, with rechargeable battery, you can enter the menu to set the address code and perform other settings without powering on; the menu is hierarchically structured and has a friendly graphical interface.
9. Intelligent heat dissipation: using wind direction drainage and temperature intelligent monitoring technology, built-in NTC temperature control function, when the LED is overheated, it will intelligently reduce the output power.
10. Gyroscope: enable the gyroscope function, and the Y axis is automatically compensated and calibrated. Autofocus: 3-25.5m autofocus.

Specification

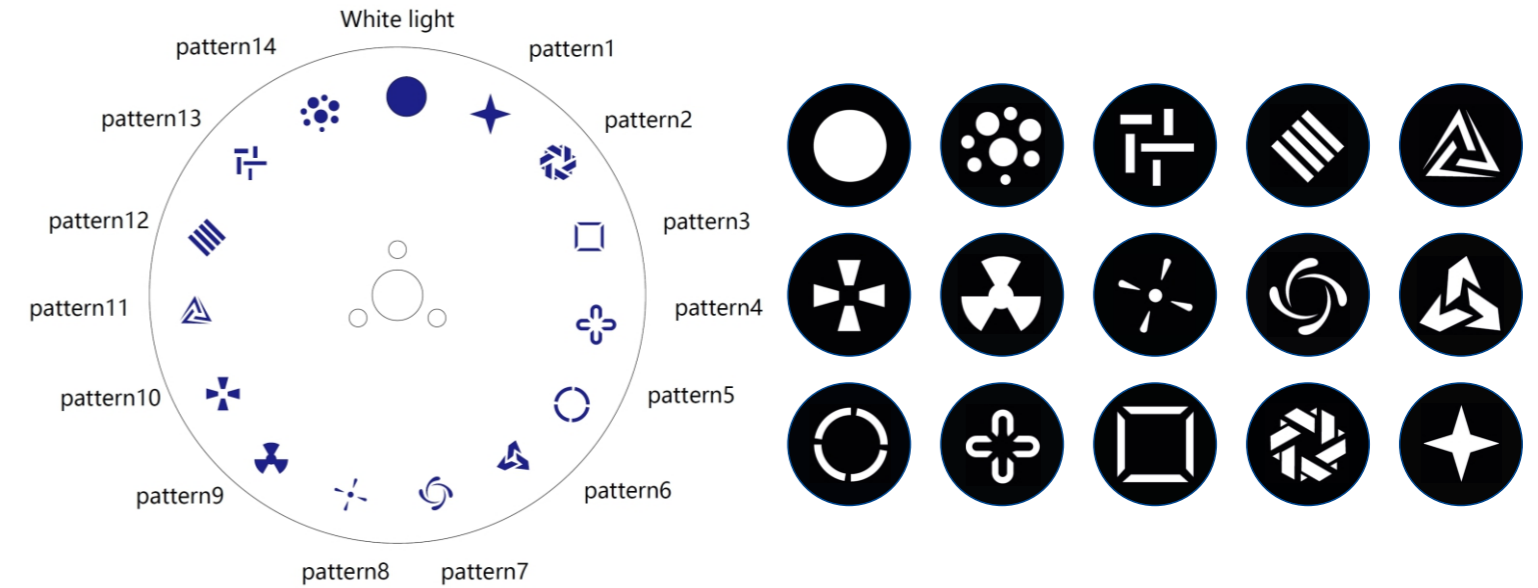
Input voltage	AC110V-240V 50/60Hz, 150W
Light source	Appotronics 100W LED module
Average lifespan	50000H
Color temperature	10000K
Beam angle	2.0°
Channel	17 channels
Control mode	DMX512 protocol, support RDM protocol and online program update, support Art-net Ethernet data interface (DMX wireless function optional)
Fixture material	High temperature resistant plastic + molded alloy material
Protection class	Ip20
Fixture size (L×W×H)	310×210×453mm
Package size (L×W×H)	385×365×490mm
Gross weight	15.1kg
Net weight	12.5kg

Color disc

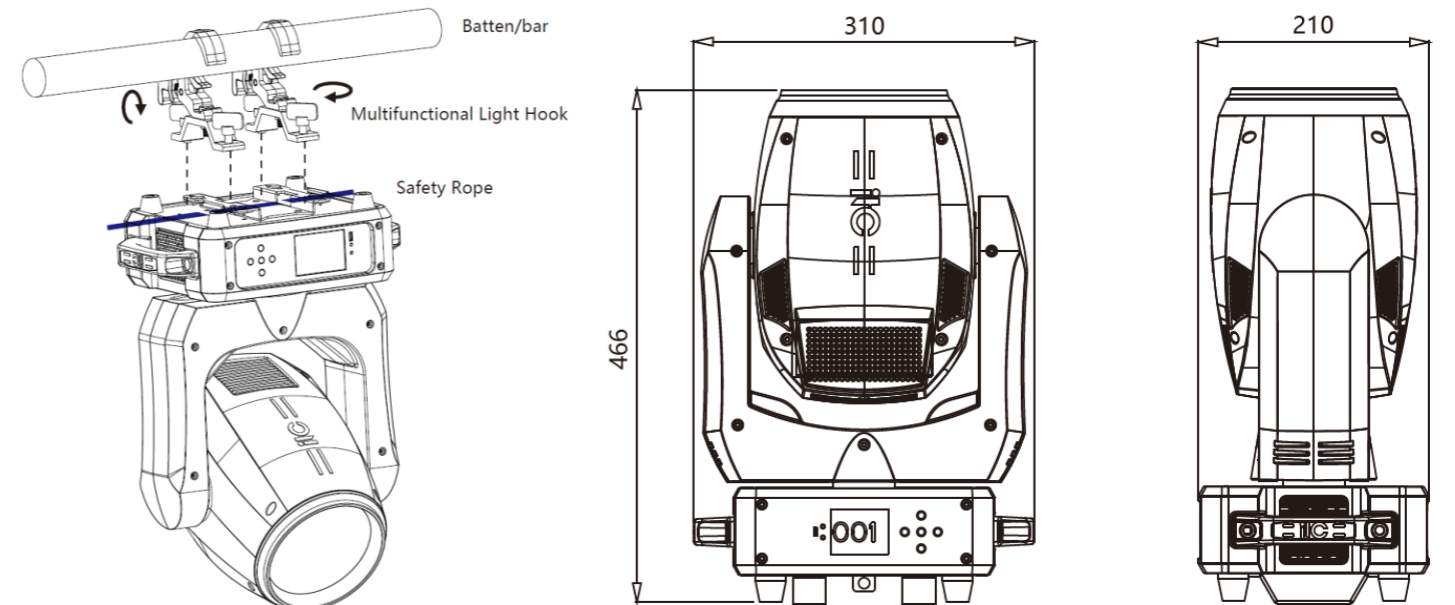


Tip: when installing the color chip, face the coating towards the light source

Pattern disc



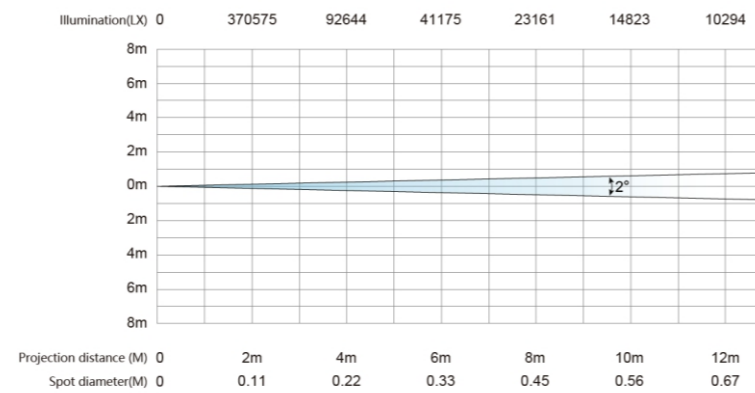
Installation





Moving Head Beam Light

TL-SL172



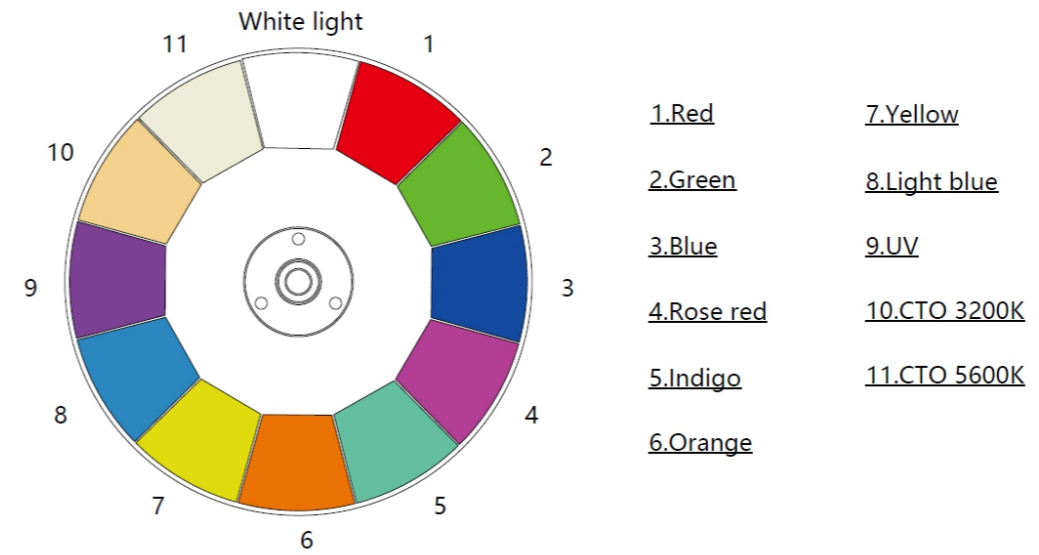
Features

1. Optics: 2 sets of optical lenses (3-layer coating film) with high temperature resistance and strong transmittance.
2. Color wheel: 11 color gels + 1 white light, bidirectional rainbow effect, adjustable speed, and flexible positioning function.
3. Fixed gobo wheel: 14 fixed gobos + 1 white light, one-way flow, adjustable speed, and flexible positioning function.
4. Prism: octagonal rotating prism + 4 row lens, bidirectional rotation, superimposition effect, and adjustable speed.
5. Strobe: synchronous, asynchronous, random strobe modes, and adjustable speed.
6. Atomization: 1 independent atomization effect, the light spot is soft and natural.
7. Scanning range: X axis 630°/2.7S, Y axis 270°/1.5S, accurate scanning positioning.
8. Display interface: a wide-screen 2.4-inch LCD interface in Chinese and English, with rechargeable battery, you can enter the menu to set the address code and perform other settings without powering on; the menu is hierarchically structured and has a friendly graphical interface.
9. Intelligent heat dissipation: using wind direction drainage and temperature intelligent monitoring technology, built-in NTC temperature control function, when the LED is overheated, it will intelligently reduce the output power.
10. Gyroscope: enable the gyroscope function, and the Y axis is automatically compensated and calibrated. Autofocus: 3-25.5m autofocus.

Specification

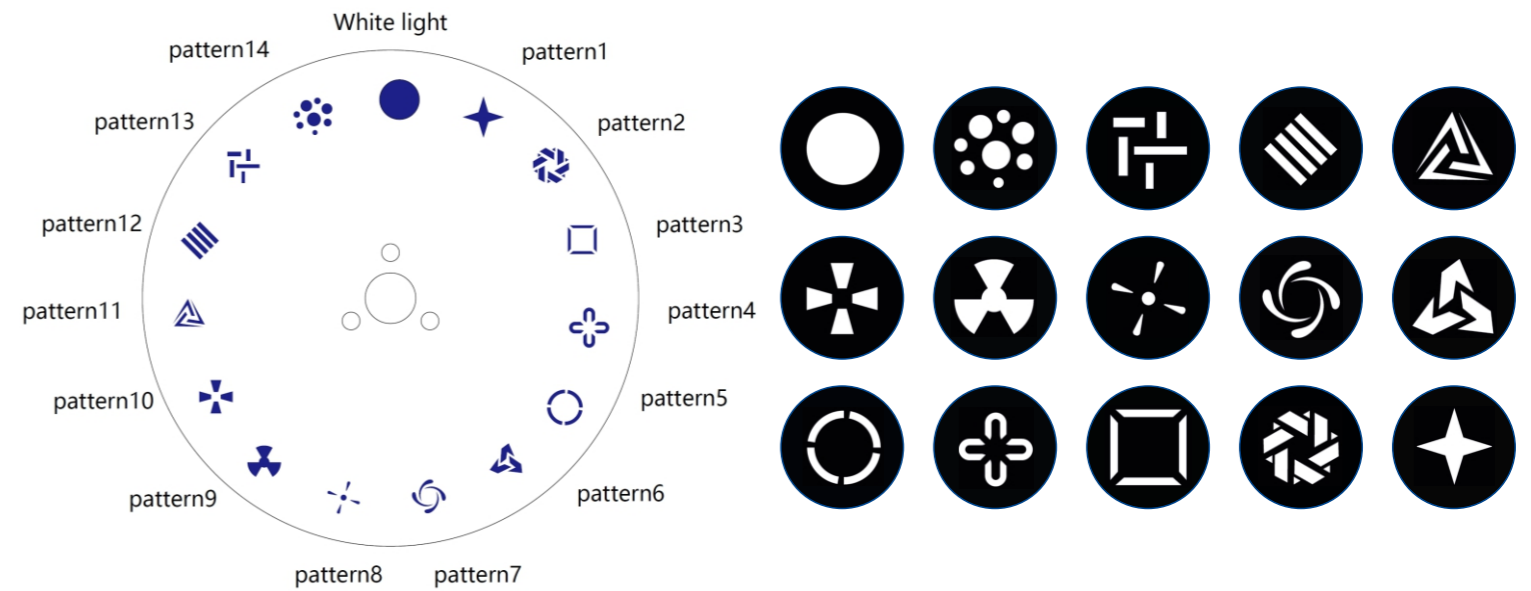
Input voltage	AC110V-240V 50/60Hz, 250W
Light source	Appotronics 200W LED module
Average lifespan	50000H
Color temperature	10000K
Beam angle	2.0°
Channel	17 channels
Control mode	DMX512 protocol, support RDM protocol and online program update, support Art-net Ethernet data interface (DMX wireless function optional)
Fixture material	High temperature resistant plastic + molded alloy material
Protection class	Ip20
Fixture size (L×W×H)	310×210×453mm
Package size (L×W×H)	385×365×490mm
Gross weight	15.1kg
Net weight	12.5kg

Color disc

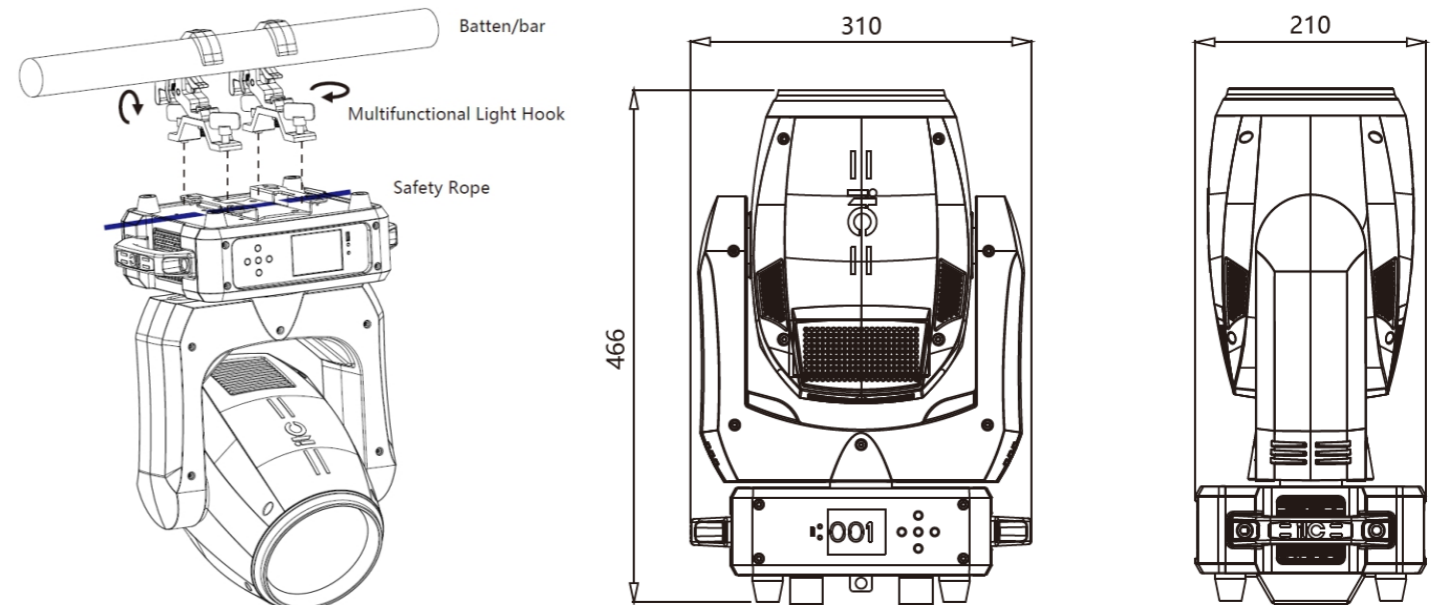


Tip: when installing the color chip, face the coating towards the light source

Pattern disc



Installation





200W Moving Head Gobo Light

TL-SL182



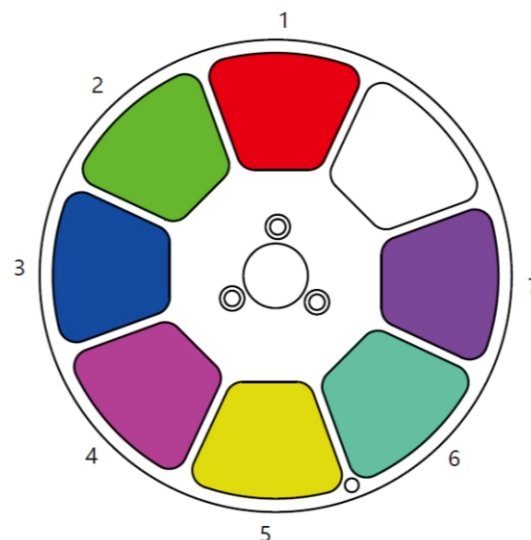
Features

- *Optics: 3 sets of optical lenses with high temperature resistance and strong light transmittance (3-layer coating).
- *Color wheel: 7 color gels + 1 white light, two-way rainbow effect, adjustable speed, flexible positioning function.
- *Fixed gobo wheel: 8 fixed gobos + 1 white light, one-way flow, adjustable speed, flexible positioning function.
- *Rotating gobo wheel: 7 replaceable gobos + white light.
- *Focus: electronic auto focus.
- *Prism: rotating triangular prism, forward and reverse rotation, and adjustable speed.
- *Strobe: with synchronous, asynchronous, random strobe mode, adjustable speed.
- *Atomization: 1 independent atomization effect, the light spot is soft and natural.
- *Scanning range: X-axis 630°/2.7 S, Y-axis 270°/1.5 S, accurate scanning positioning.
- *Display interface: It uses a wide-screen 2.8-inch LCD display interface in Chinese and English; with a rechargeable battery, you can enter the menu to set the address code and perform other settings without powering on; the menu has a hierarchical structure and a friendly graphical interface.
- *Intelligent heat dissipation: using wind direction drainage and intelligent temperature monitoring technology, built-in NTC temperature control function, when the fault causes the LED to overheat, the output power of the LED will be intelligently reduced.

Specification

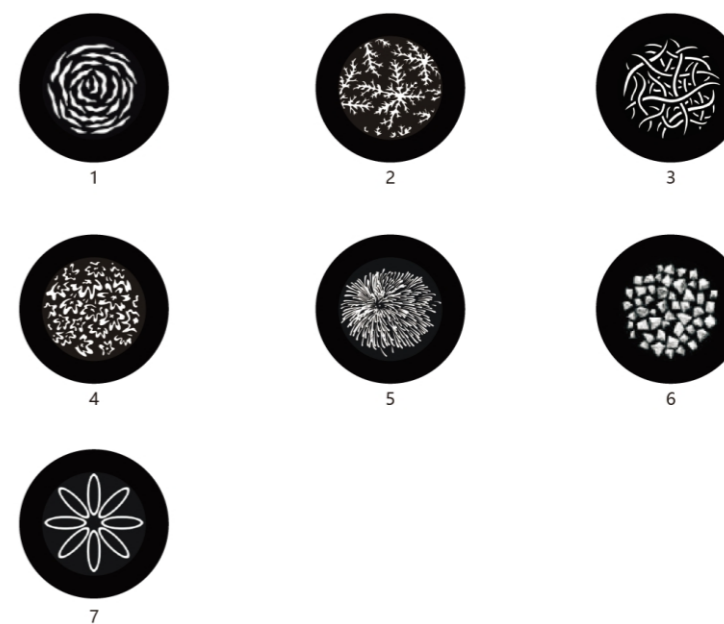
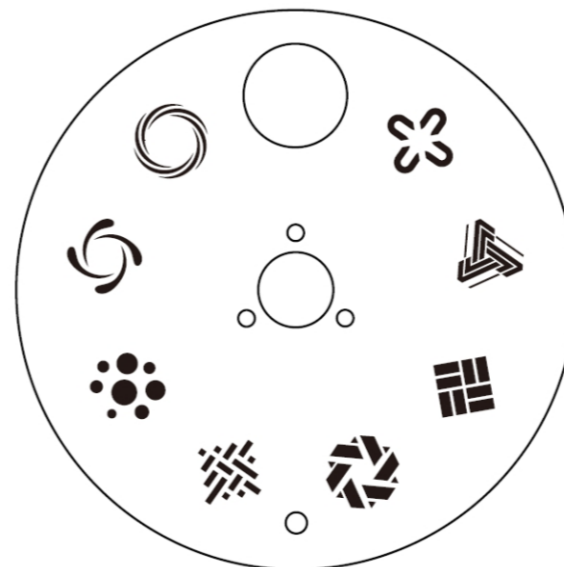
Input voltage	AC110V-240V 50/60Hz, 280W
LED light source	200W
Average lifespan	50000H
Color temperature	8000K
Beam angle	8-40°
Control mode	DMX512 protocol, support RDM protocol and program online update function, support Art-net Ethernet data interface (DMX wireless function optional)
Channel	19/14 channels
Fixture material	High temperature resistant plastic + molded alloy material
Protection class	Ip20
Fixture size (L×W×H)	336×240×569mm
Package size (L×W×H)	450×400×555mm
Gross weight	17.5kg
Net weight	15.5kg

Color disc

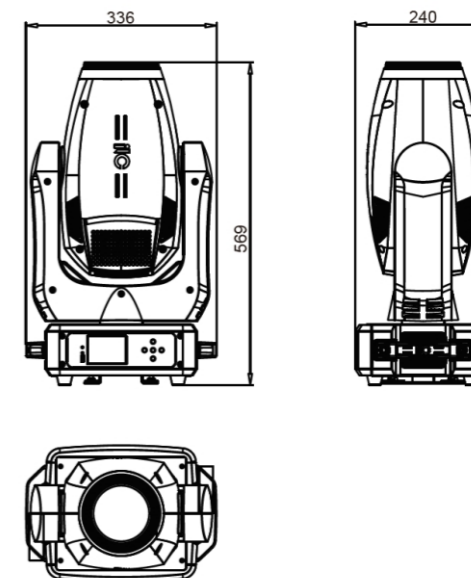
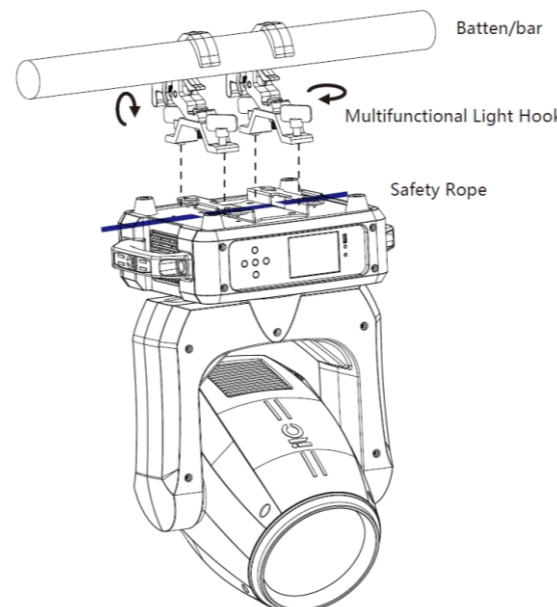


Tip: when installing the color chip, face the coating towards the light source

Pattern disc

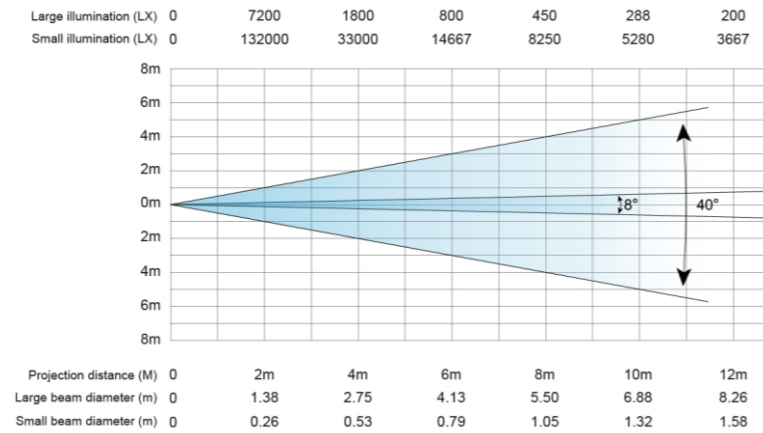


Installation



itc Moving Head Light

TL-SL184



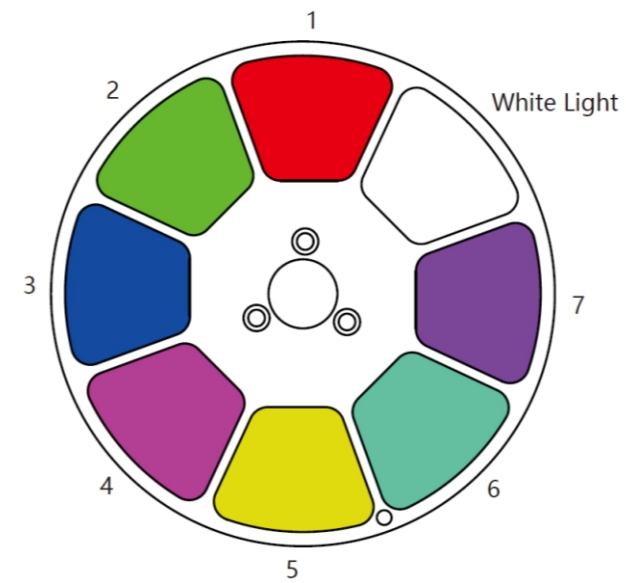
Features

1. Optics: 3 sets of optical lenses with high temperature resistance and strong light transmittance (3-layer coating).
2. Color wheel: 7 color gels + 1 white light, two-way rainbow effect, adjustable speed, flexible positioning function.
3. Fixed gobo wheel: 8 fixed gobos + 1 white light, one-way flow, adjustable speed, flexible positioning function.
4. Rotating gobo wheel: 7 replaceable gobos + white light.
5. Focus: electronic auto focus.
6. Prism: rotating triangular prism, forward and reverse rotation, and adjustable speed.
7. Strobe: with synchronous, asynchronous, random strobe mode, adjustable speed.
8. Atomization: 1 independent atomization effect, the light spot is soft and natural.
9. Scanning range: X-axis 630°/2.7 S, Y-axis 270°/1.5 S, accurate scanning positioning.
10. Display interface: It uses a wide-screen 2.8-inch LCD display interface in Chinese and English; with a rechargeable battery, you can enter the menu to set the address code and perform other settings without powering on; the menu has a hierarchical structure and a friendly graphical interface.
11. Intelligent heat dissipation: using wind direction drainage and intelligent temperature monitoring technology, built-in NTC temperature control function, when the fault causes the LED to overheat, the output power of the LED will be intelligently reduced.

Specification

Input voltage	AC110V-240V 50/60Hz, 430W
LED light source	300W
Average lifespan	50000H
Color temperature	6500K
Beam angle	8-40°
Channel	19/14 channel
Control method	DMX512 protocol, supports RDM protocol and program online update function, supports Art-net Ethernet data interface (DMX wireless function optional)
Fixture material	high temperature resistant plastic + molded alloy material
Protection level	Ip20
Fixture size (L×W×H)	336×240×569mm
Packing size (L×W×H)	450×400×555mm
Gross weight	17.5kg
Net weight	15.5kg

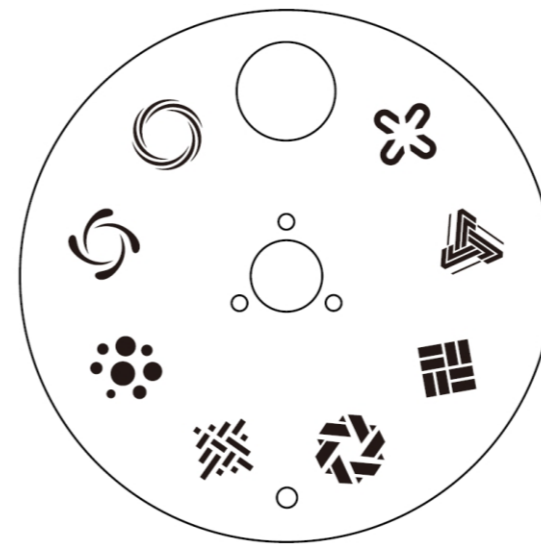
Color disc



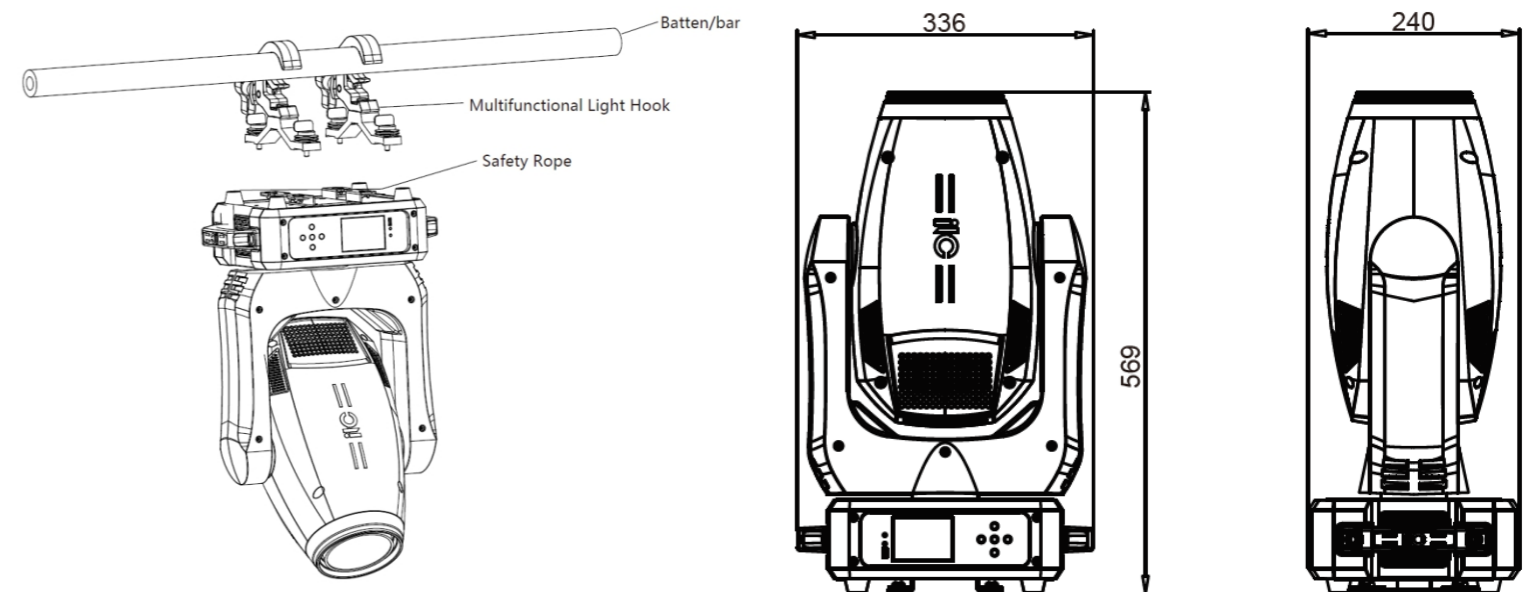
1. Red
2. Green
3. Blue
4. Rose red
5. Yellow
6. Indigo Blue
7. Purple

Tip: when installing the color chip, face the coating towards the light source

Pattern disc



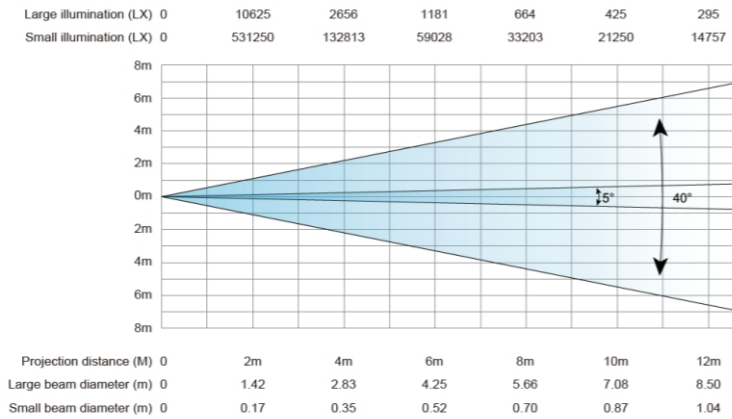
Installation





Moving Head Beam Light

TL-SL185



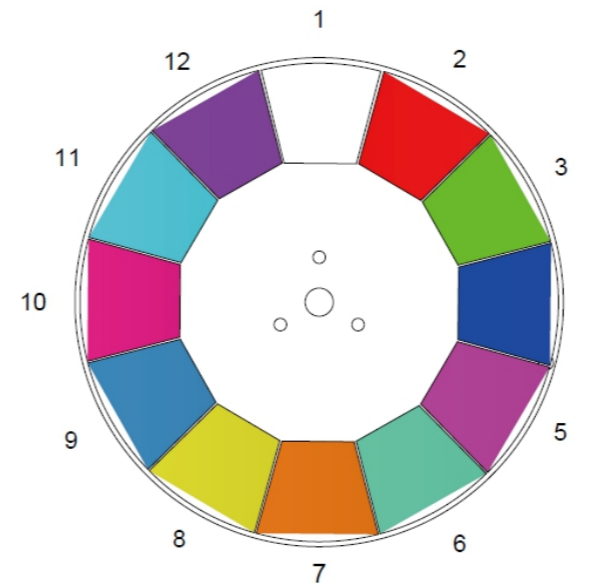
Features

1. Optics: high-precision glass optical lens (6-layer coating), electronic focusing for multi-level optical lens groups, linear magnification function.
2. Color mixing system: 1 color wheel: 11 color gels + 1 white light, rainbow effect with two-way rotation, adjustable speed, flexible positioning function.
3. Pattern system: 1 rotatable gobo wheel: 7 pluggable gobos + white circle, with pattern dithering and flexible positioning function; 1 fixed gobo wheel: 9 fixed gobos + 1 white light, two-way flow, adjustable speed, flexible positioning function.
4. Dynamic effect wheel: flame effect, water pattern effect, two-way flow, flexible positioning function.
5. Prism: 3 rotating prisms, support bidirectional rotation, superimposition, and adjustable speed.
6. Strobe: electronic strobe 1-13 times/sec, synchronous, asynchronous, and random stroboscopic mode, and adjustable speed.
7. Atomization: 1 independent atomization effect, soft and natural light spot.
8. Scanning range: X-axis 540°/630°/3.3S, Y-axis 270°/2.0S, precise scanning and positioning.
9. Display system: a 2.8-inch touch screen, with a power bank, you can enter the menu for address code setting and other settings; the buttons will be automatically locked after 15 seconds of standby to prevent accidental operation; long press the menu button for 3 seconds to activate the button reset and detection setting; long press the Left and Right buttons to lock the horizontal and vertical scanning and reset.
10. Smart heat dissipation: using wind drainage and smart temperature monitoring technology, according to the temperature of different parts of the fixture, the cooling fans inside the fixture are automatically driven to effectively cool different components.
11. CMY color mixing system: CMY+CTO color gels, stepless mixed color + CTO, color temperature can be adjusted according to the scene.
12. Gyroscope: when the gyroscope function is turned on, the Y axis is automatically compensated and calibrated; the autofocus is supported within 3-25.5 meters.

Specification

Input voltage	AC110V-240V 50/60Hz, 600W
Light source	450W LED Module BEAM
Average lifespan	20000H
Color temperature	7800K
Beam angle	5°~40°
Channel	26/20 channels
Control mode	DMX512 protocol, support RDM protocol and program online update function; support Art-net Ethernet data interface; USB dial code setting (optional DMX wireless function)
Fixture material	High temperature resistant plastic
Protection class	Ip30
Fixture size (L×W×H)	385×270×666.5mm
Package size (L×W×H)	470×355×745mm
Net weight	20kg
Gross weight	23.5kg

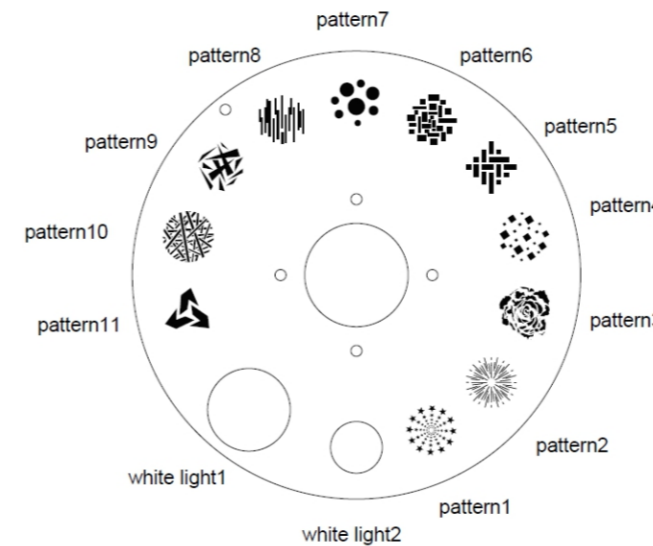
Color disc



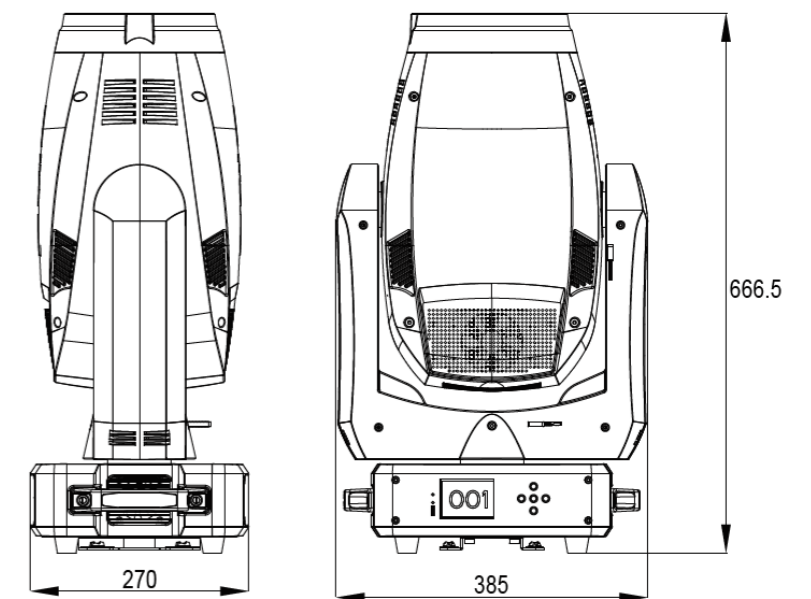
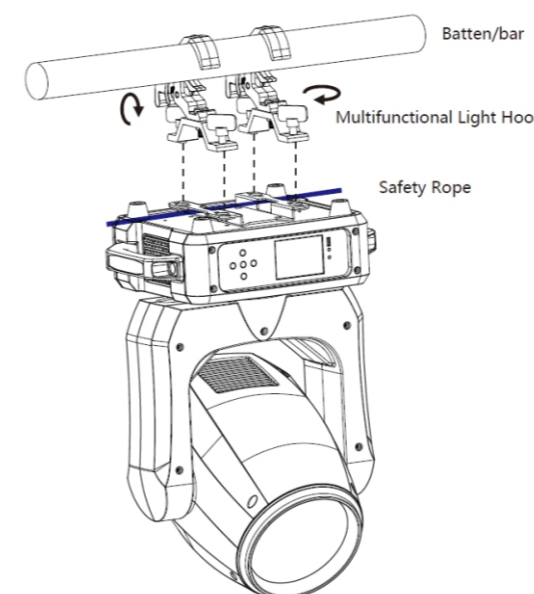
- 1. White light
- 2. Red
- 3. Green
- 4. Blue
- 5. Rose red
- 6. Indigo
- 7. Orange
- 8. Yellow
- 9. Light blue
- 10. Pink
- 11. Blue green
- 12. UV

Tip: when installing the color chip, face the coating towards the light source

Pattern disc



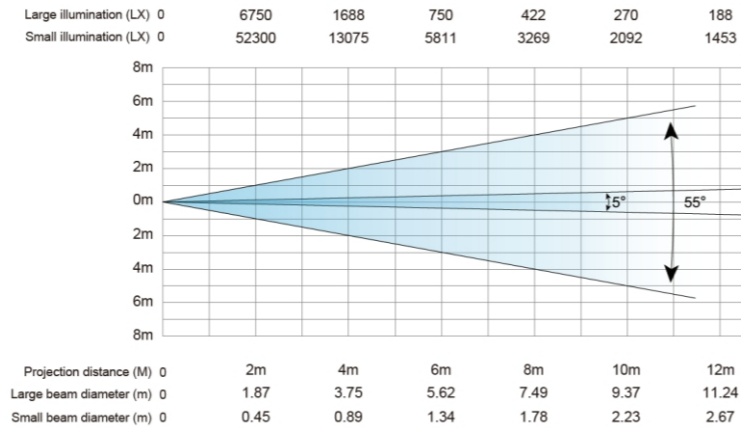
Installation





Moving Head Light

TL-SL186



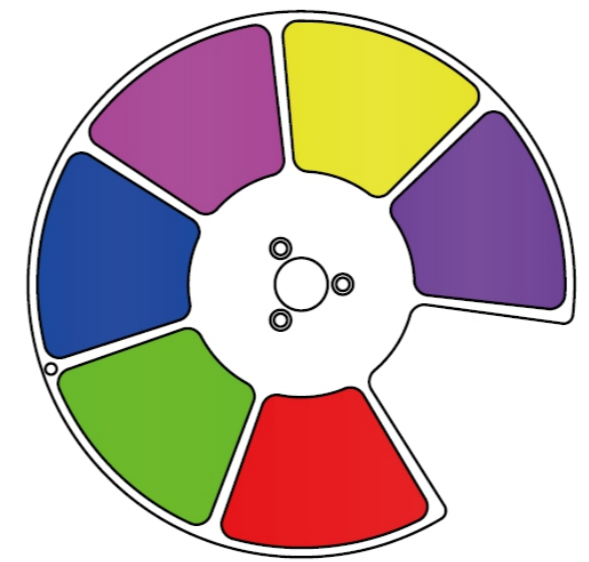
Features

- *Color mixing system: CMY+CTO color mixing system, stepless changing color.
- *Color wheel: 6 colors + 1 white light.
- *Fixed gobo wheel: 9 gobos + 1 white light, adjustable speed, flexible positioning function.
- *Rotating gobo wheel: 7 replaceable gobos + white light, bidirectional rotation and positioning.
- *Effect pattern wheel: Effect wheel/Fire pattern/Water pattern, bidirectional rotation.
- *Focusing: Linearly adjustable focusing/infrared auto-focusing function.
- *Prism: Quadrangular prism, bidirectional rotation and positioning.
- *Zoom in: 11× zoom 5-55°.
- *Atomization: An atomization effect.
- *Scanning range: X-axis 540~630°/2.7 S, Y-axis 270°/1.5 S, accurate scanning and positioning.
- *Display interface: A wide-screen 2.8-inch LCD interface in Chinese and English, with rechargeable battery; you can enter the menu to set the address code and perform other settings without powering it on; the menu is hierarchically structured and has a friendly graphical interface.
- *Intelligent heat dissipation: Using wind direction drainage and temperature intelligent monitoring technology, built-in NTC temperature control function, when it is overheated, the output power of the LED is intelligently reduced.

Specification

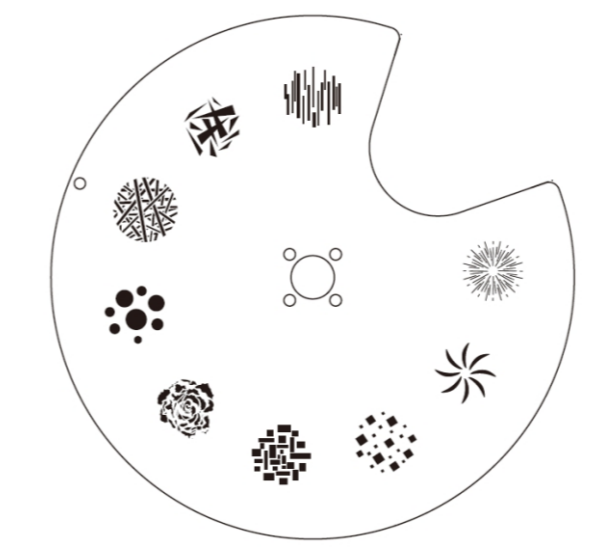
Input voltage	AC110V-240V 50/60Hz, 800W
LED light source	600W
Average lifespan	50000H
Color temperature	6500K
Beam angle	5~55°
Control mode	DMX512 protocol, support RDM protocol and program online update function, support Art-net Ethernet data interface (DMX wireless function optional)
Channel	26/15CH
Fixture material	High temperature resistant plastic + molded alloy material
Protection class	Ip30
Fixture size (L×W×H)	427×276×765mm
Package size (L×W×H)	660×510×710mm
Gross weight	38.8kg
Net weight	33.2kg

Color disc

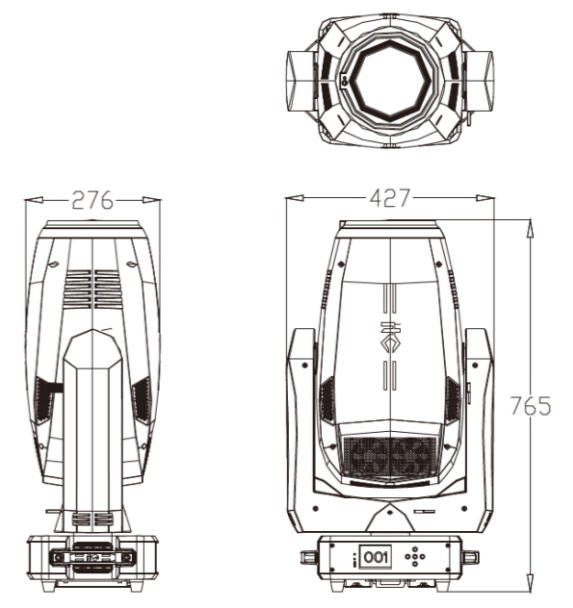
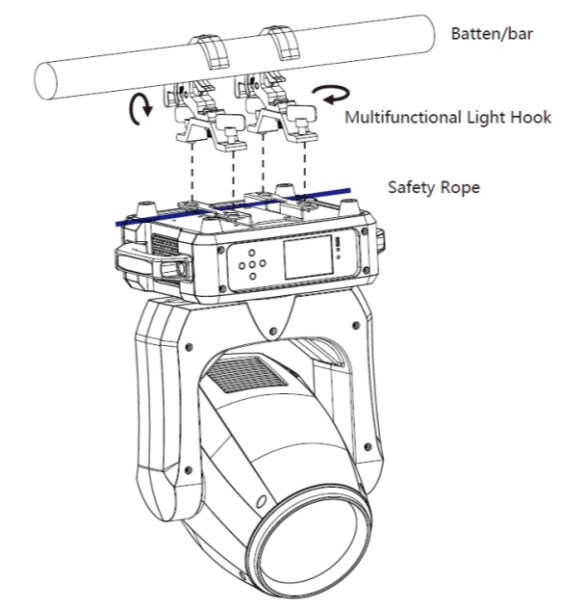


Tip: when installing the color chip, face the coating towards the light source

Pattern disc



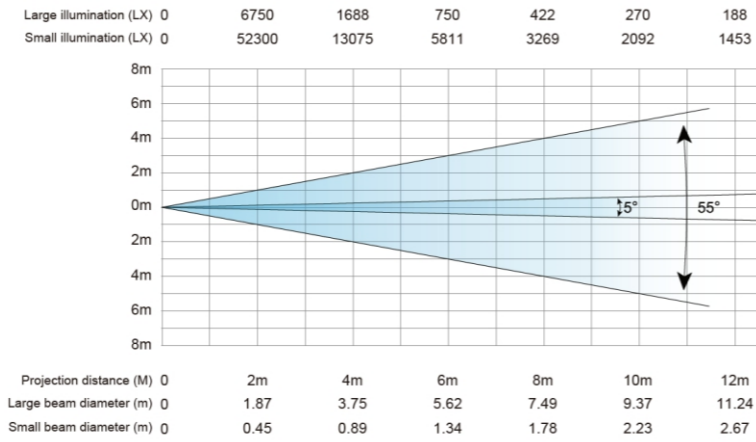
Installation





Moving Head Beam Light

TL-SL192



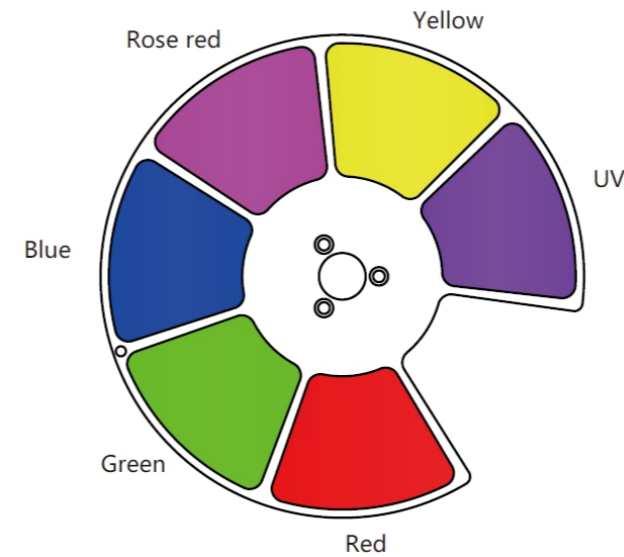
Features

- * Color mixing system: CMY+CTO color mixing system stepless color changing.
- * Color wheel: 6 colors + 1 white light.
- * Fixed gobo wheel: 9 gobos + 1 white light, adjustable speed, flexible positioning function.
- * Rotating gobo wheel: 7 replaceable gobos + white light, bidirectional rotation and positioning.
- * Effect gobo wheel: effect wheel/fire effect/water effect supports bidirectional rotation.
- * Pattern cutting system: it can cut triangles, squares, parallelograms, semi-circles; the cutter pattern supports 90° rotation and any positioning function according to the scene.
- * Focusing: linear adjustable focusing/infrared autofocus function.
- * Prism: a quadrangular prism, support bidirectional rotation and positioning.
- * Zoom in: 11× zoom 5-55°.
- * Atomization: two atomizations, support single-layer/double-layer atomization superimposition.
- * Scanning range: X-axis 540~630°/2.7 S, Y-axis 270°/1.5 S, accurate scanning and positioning.
- * Display interface: a wide-screen 2.8-inch LCD interface in Chinese and English, with rechargeable battery, you can enter the menu to set the address code and perform other settings without powering on; the menu is hierarchically structured and has a friendly graphical interface.
- * Intelligent heat dissipation: using wind direction drainage and temperature intelligent monitoring technology, built-in NTC temperature control function, when the LED is overheated, it will intelligently reduce the output power.
- * Aperture function, zoom in and out dynamic effect.

Specification

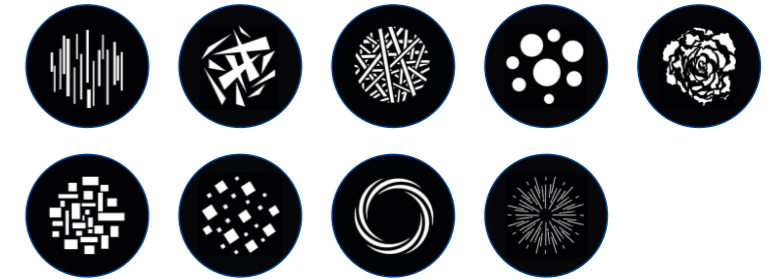
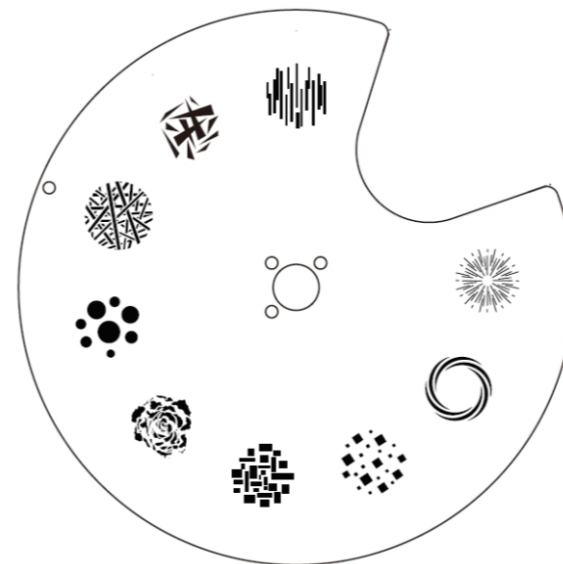
Input voltage	AC110V-240V 50/60Hz, 800W
Light source	600W
Average lifespan	50000H
Color temperature	6500K
Beam angle	5~53°
Control mode	DMX512 protocol, support RDM protocol and program online update function, support Art-net Ethernet data interface (DMX wireless function optional)
Channel	39/16 channels
Fixture material	High temperature plastic + molded alloy material
Protection class	Ip30
Fixture size (L×W×H)	427×276×765mm
Package size (L×W×H)	660×510×710mm
Gross weight	42kg
Net weight	36.5kg

Color disc

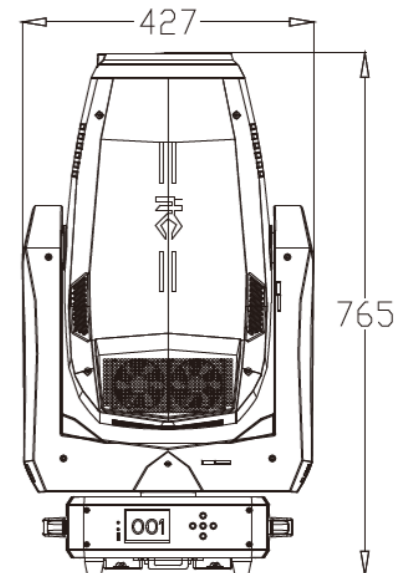
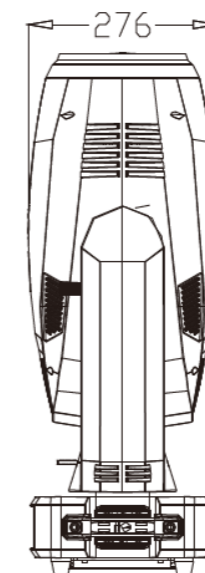
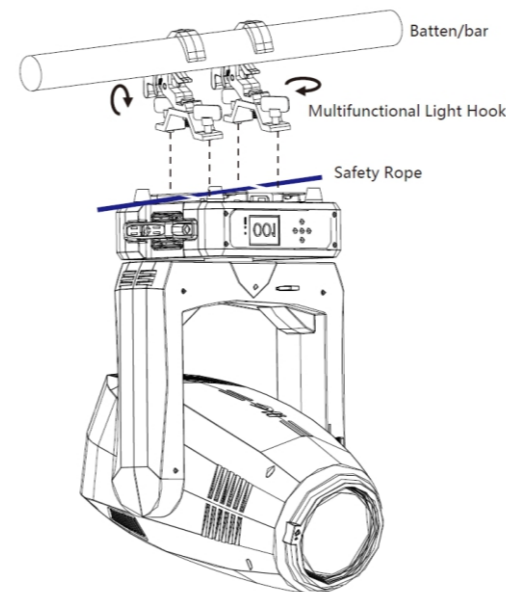


Tip: when installing the color chip, face the coating towards the light source

Pattern disc



Installation





1000W Profile Moving Head Light

TL-SL193



Large illumination (LX)	0	10206	2552	1134	638	408	284
Small illumination (LX)	0	549069	137267	61008	34317	21963	15252

Projection distance (M)	0	2m	4m	6m	8m	10m	12m
Large beam diameter (m)	0	2.05	4.11	6.16	8.21	10.27	12.32
Small beam diameter (m)	0	0.19	0.38	0.58	0.77	0.96	1.15

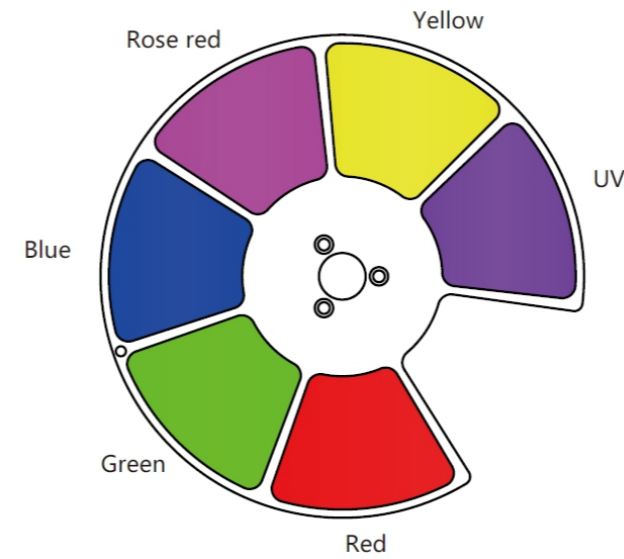
Features

- *Color mixing system: CMY+CTO color mixing system, color mixing stepless linear change.
- *Color wheel: 6 colors + 1 white light, half-color effect, the color chip can be positioned arbitrarily and the rainbow effect with two-way rotation;
- *Fixed gobo wheel: 7 gobos + 1 white light, adjustable speed, flexible positioning function.
- *Rotating gobo wheel: 6 replaceable gobos + 1 white light, forward and reverse rotation and positioning.
- *Effect pattern wheel: 1 fire pattern, flowing water effect, forward and reverse rotation.
- *Pattern cutting system: it can cut triangles, squares, parallelograms, semicircles, and the pattern can be rotated 90° forward and backward according to the scene.
- *Aperture: it can realize the dynamic effect of zooming in and zooming out.
- *Focus: linear focus adjustment/IR auto focus function.
- *Prism: 1 quadrangular prism, forward and reverse rotation and positioning.
- *Zoom: 12× zoom.
- *Atomization: 2*atomization, 1 light atomizing + 1 heavy atomizing;
- *Scanning range: X-axis 540~630°/5 S, Y-axis 250°3 S, accurate scanning positioning.
- *Display interface: it uses a widescreen 2.8-inch LCD display interface in Chinese and English; with a rechargeable battery, you can enter the menu to set the address code and perform other settings without power on; the menu has a hierarchical structure and a friendly graphical interface.
- *Intelligent heat dissipation: using wind direction drainage and intelligent temperature monitoring technology, built-in NTC temperature control function, when the fault causes the LED to overheat, the output power of the LED will be intelligently reduced.
- *Support the aperture function, which can realize the dynamic effect of zooming in and zooming out;
- *Support lightning protection electronic control technology;
- *Support temperature electronic sensor detection;
- *Support fan intelligent control;
- *Support non-contact magnetic rotary encoder positioning, signal feedback, absolute position memory.

Specification

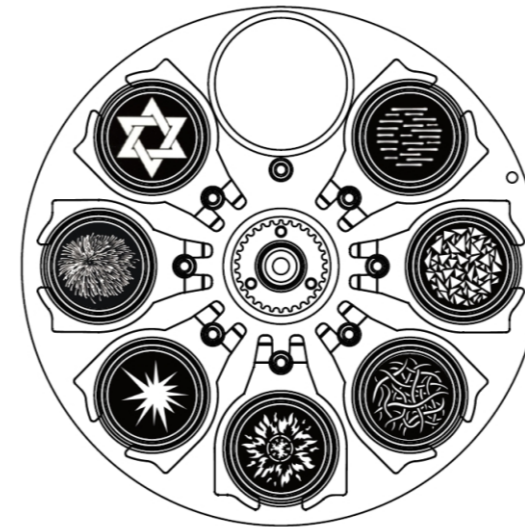
Input voltage	AC110V-240V 50/60Hz, 1200W
Light source	1000W
Average lifespan	50000H
Color temperature	6500-8500K
Beam angle	5~60°
Control mode	DMX512 protocol, support RDM protocol and program online update function, support Art-net Ethernet data interface (DMX wireless function optional)
Channel	38/15 channels
Fixture material	High temperature resistant plastic + molded alloy material
Protection class	Ip30
Fixture size (L×W×H)	456×324×839mm
Package size (L×W×H)	730×510×720mm
Gross weight	54.5kg
Net weight	48.5kg

Color disc

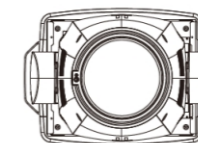
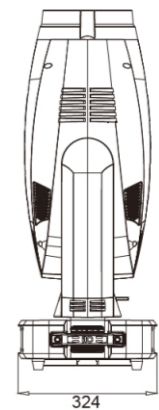
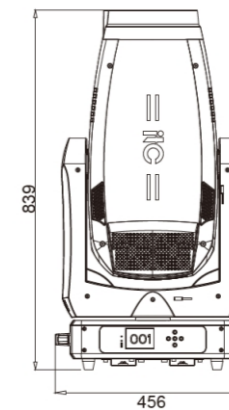
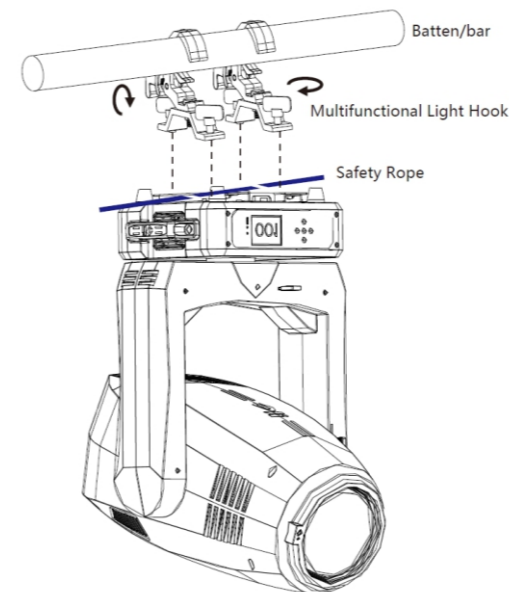


Tip: when installing the color chip, face the coating towards the light source

Pattern disc



Installation





LED Studio Light

TL-SL328



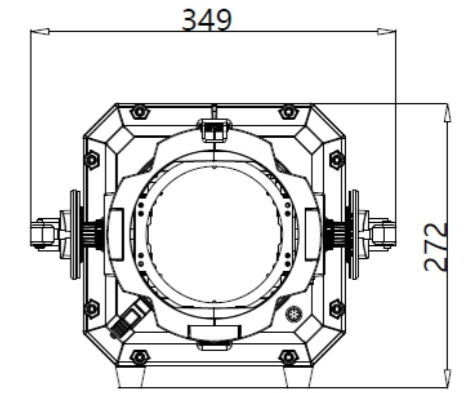
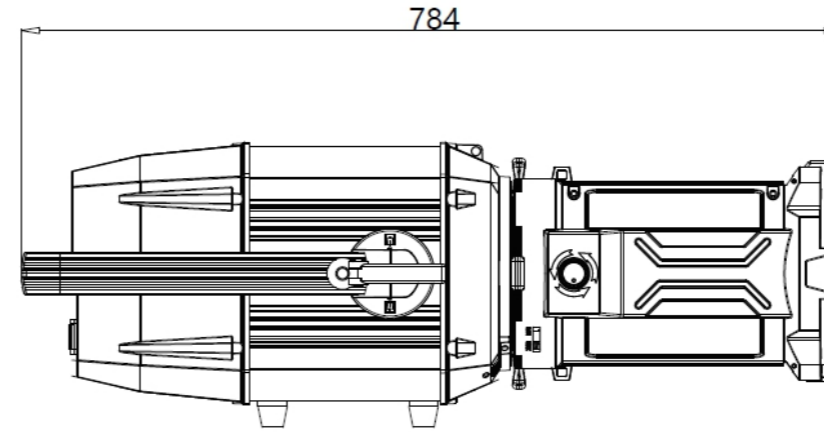
Features

- *Optics: High-precision glass optical lens (3-layer coating), 4 sets of lenses.
- *Color: 6-color LED light source.
- *Focus: support the integrated function of manual focus and electric focus, and support the function of setting arbitrary focus and clear positioning.
- *Cutter: 4 pieces of cutting pieces, any angle cutting graphics adjustment.
- *Strobe: up to 25Hz, random strobe or pulse strobe optional.
- *Aperture: manual, scrolling linear aperture, support arbitrary spot size scaling.
- *Dimming curve: with 4 kinds of dimming curves to adapt to different occasions
- *Color calibration system: ensure color consistency and good gray scale adjustment
- *Display interface: a 3.5-inch widescreen LCD interface in Chinese and English, the hierarchical menu structure and graphical interface are user-friendly; it supports normal operations of the touch screen, including click, double click, and slide, etc.
- *Intelligent heat dissipation: Using wind direction drainage and temperature intelligent monitoring technology, according to the temperature of different parts of the lamp, the cooling fan inside the lamp is automatically driven to effectively cool the lamp components.
- *Quick replacement of lens modules: The lamp body and optical module are designed with a quick lock device, which is convenient for debugging and replacement of various optical modules.

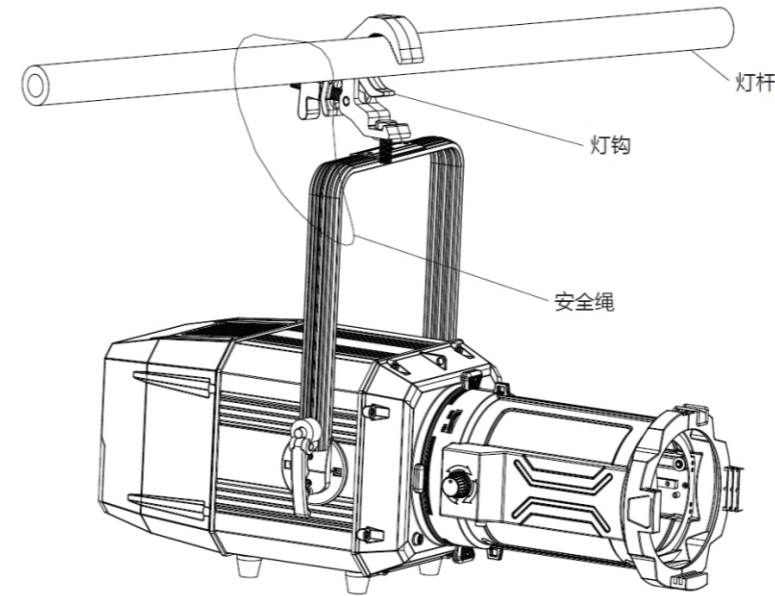
Specification

Input voltage	AC110V-240V 50/60Hz 600W
Light source	1pcs 6-color LED
Average lifespan	50000H
Color temperature	2700-10000K
Beam angle	19°(26°optional)
Control mode	DMX512 protocol, support RDM protocol and program online update function, support Art-net Ethernet data interface (DMX wireless function optional)
Channel	11/13 channels
Fixture material	High temperature resistant plastic + molded alloy material
Protection class	Ip20
Fixture size (L×W×H)	784×349×272mm
Package size (L×W×H)	860×345×430mm
Gross weight	20.1kg
Net weight	17.8kg

Product Size



Installation



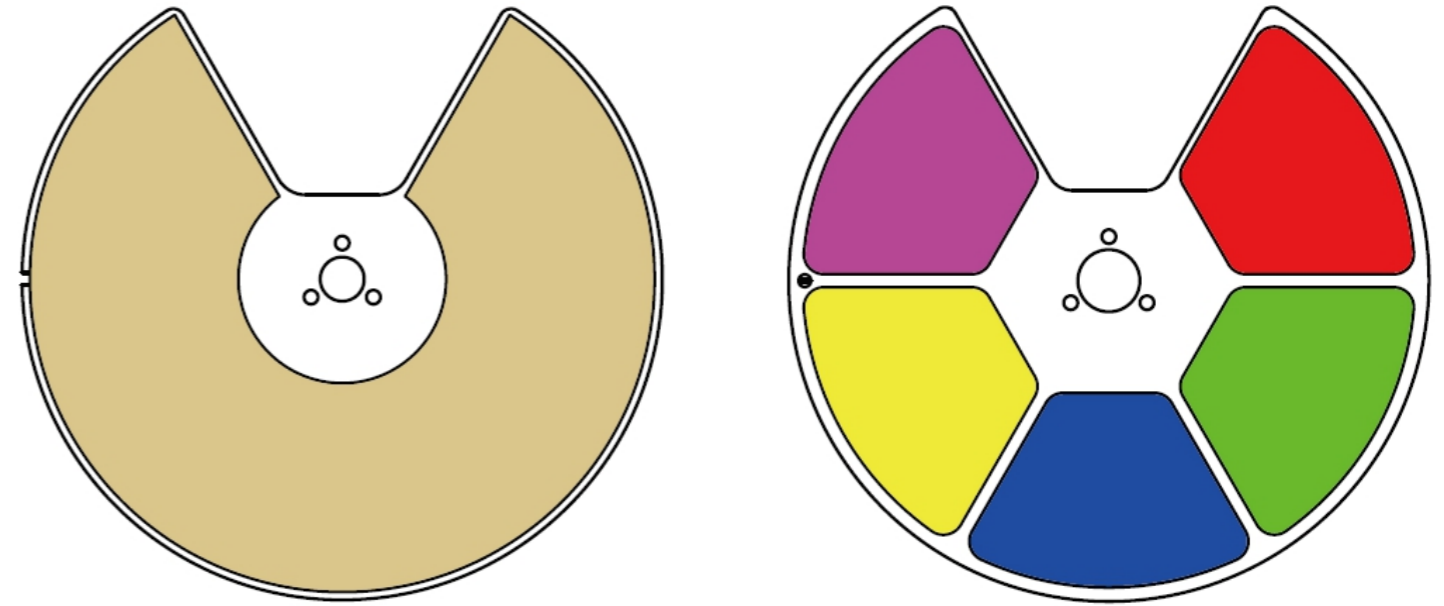


Follow Spot Light

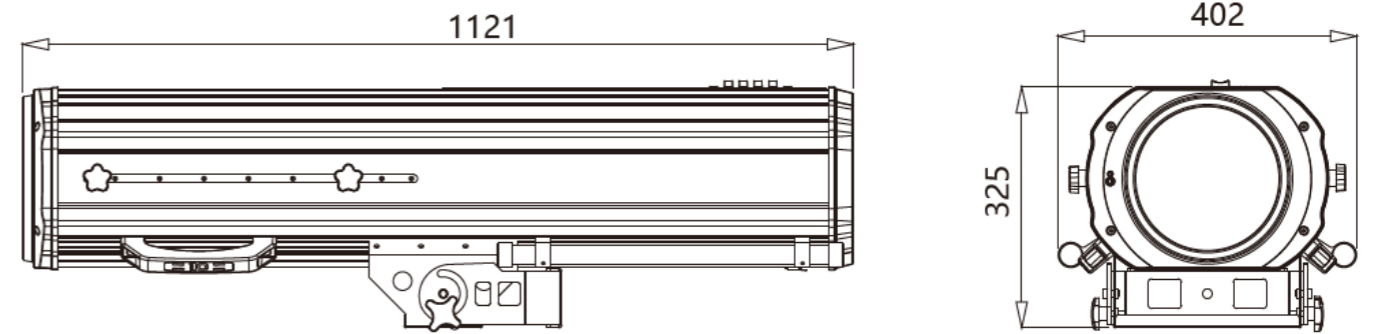
TL-SL393



Color disc



Product Size



Features

- *Color mixing system: CTO stepless linear change.
- *Color wheel: 5 colors, 1 white light.
- *Aperture function: White light linear scaling function.
- *Focus: Linear adjustment manual focus.
- *Zoom in: Manual zoom.
- *Display interface: adopts 1.5-inch LCD screen display interface.
- *Intelligent heat dissipation: Using wind direction drainage and intelligent temperature monitoring technology, built-in NTC temperature control function, when the fault causes the LED to overheat, the output power of the LED will be intelligently reduced.

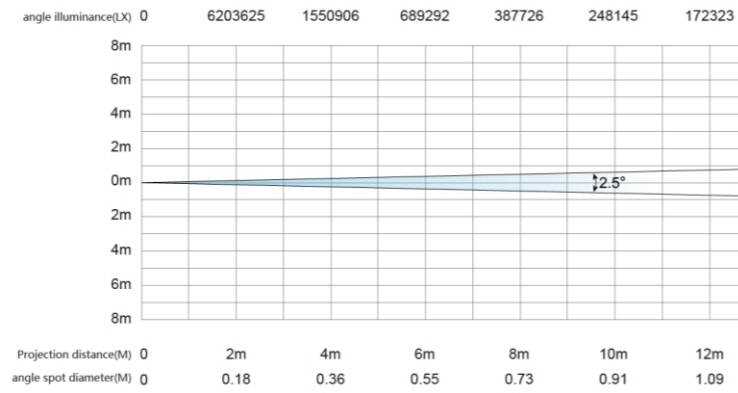
Specification

Input voltage	AC110V-240V 50/60Hz 630W
LED light source	600W LED
LED light source	50000H
Color temperature	6200K
Beam angle	9~14°
Control mode	DMX512 protocol, support RDM protocol and program online update function
Channel	6 channels
Fixture material	High temperature resistant plastic + molded alloy material
Protection class	Ip30
Fixture size (L×W×H)	1121×402×425mm
Package size (L×W×H)	1190×470×400mm
Gross weight	29.5kg
Net weight	27.9kg

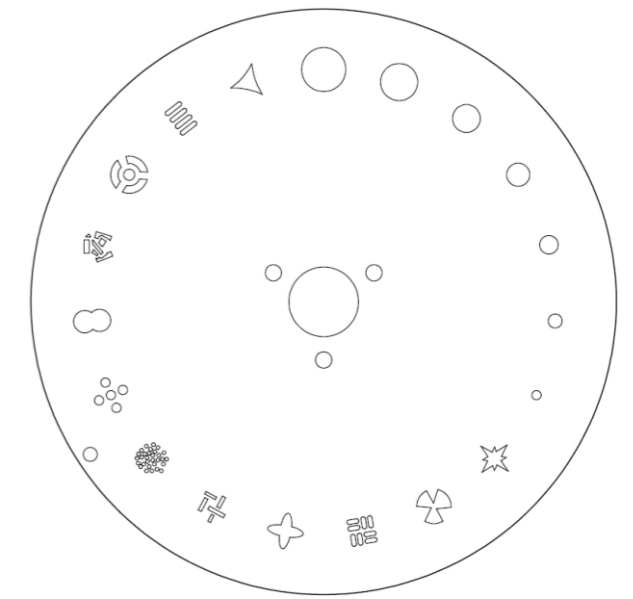
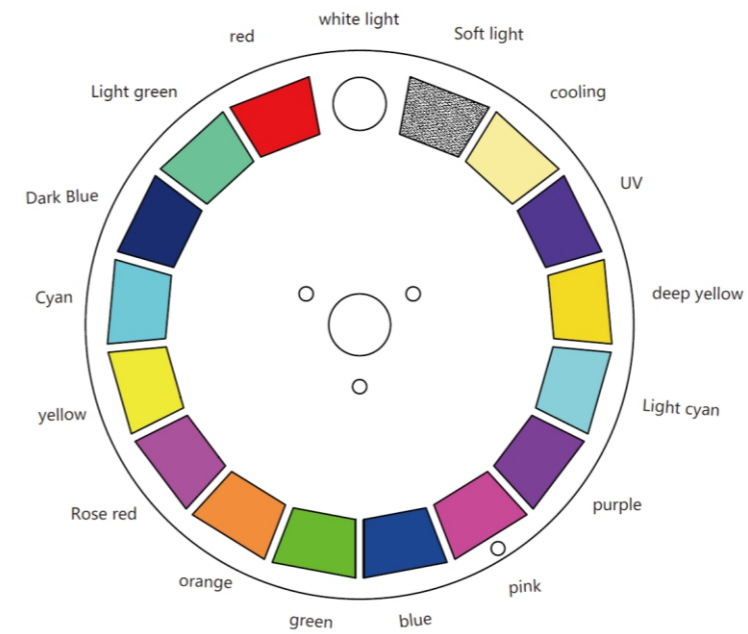


Moving Head Beam Light

TL-LT803



Color wheel



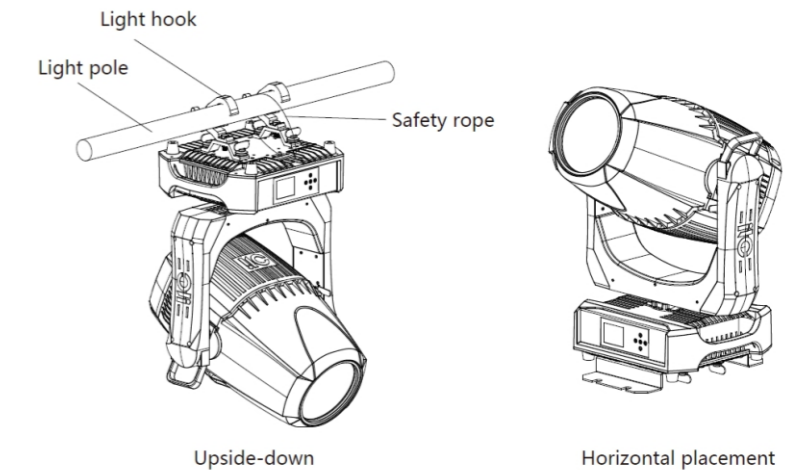
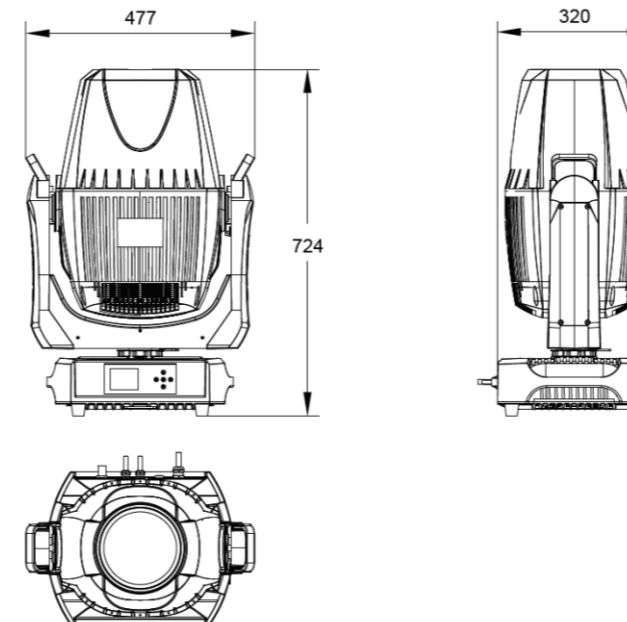
Features

- *Color: 1 color wheel, 16 colors + 1 white light.
- *Fixed pattern: 18 fixed gobo wheel + 1 white light, with flow, index, and shaking functions.
- *Focus: DMX linear focusing, ultra-fine and smooth focus adjustment.
- *Prism (standard): eight prisms + four row lens, sixteen prisms, support variable-speed bidirectional rotation and superimposition.
- *Strobe: Double-chip strobe 0.3-25 times/s, with synchronous, asynchronous and random strobe modes, and the speed is adjustable.
- *Scanning range: X-axis 540°/4.5 S, Y-axis 270°/2.8 S, with automatic return function.
- *Display interface: adopt widescreen 2.8-inch LCD interface in Chinese and English, with flip function;
- *The input signal has isolation protection function to ensure stable signal transmission without interference.
- *Support high temperature intelligent protection, automatically turn off the light if the temperature is too high;
- *Support automatic power reduction of ballast in closed light state;
- *Support software upgrade through DMX data cable;
- *Support to display lamp usage time, bulb usage time and software version number.

Specification

Input voltage	AC110V-240V 50/60Hz · 600W
Ballast	Electronic ballast
Light source	SIRIUS HRI® 420W
Average lifespan	2500H
Color temperature	7850K±300K
Beam angle	2.5°
Control mode	DMX512 protocol ;support RDM protocol and program online update function (optional for DMX wireless function)
Channel	12/15 channels
Fixture material	High temperature engineering plastic + cast aluminum material
Protection class	Ip66
Fixture size (L×W×H)	477×320×724mm
Package size (L×W×H)	630×550×660mm
Gross weight	40kg
Net weight	34.5kg

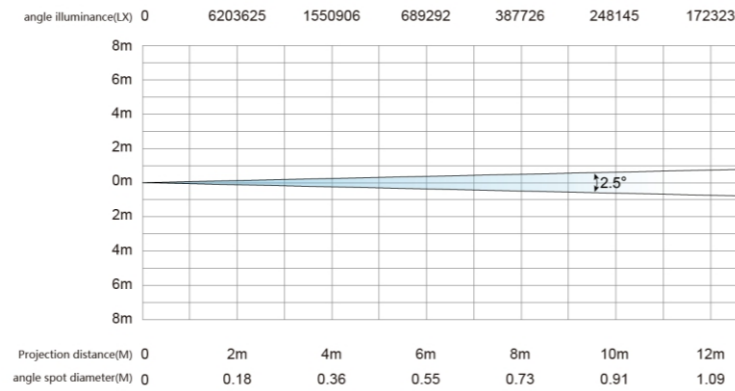
Dimension diagram(mm)



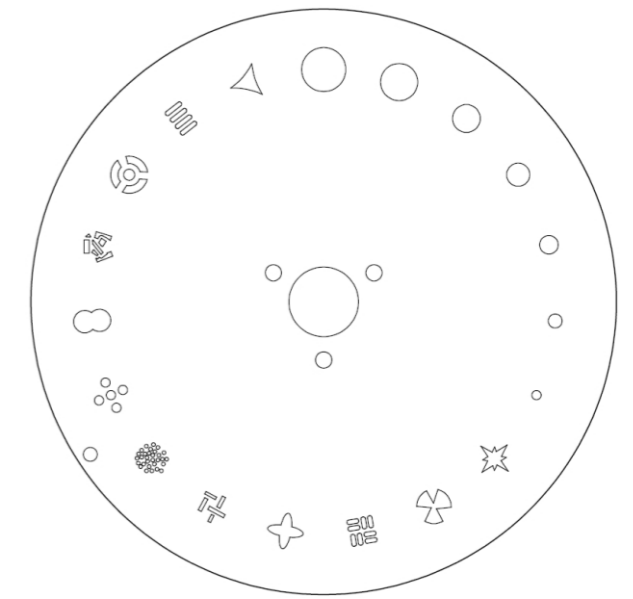
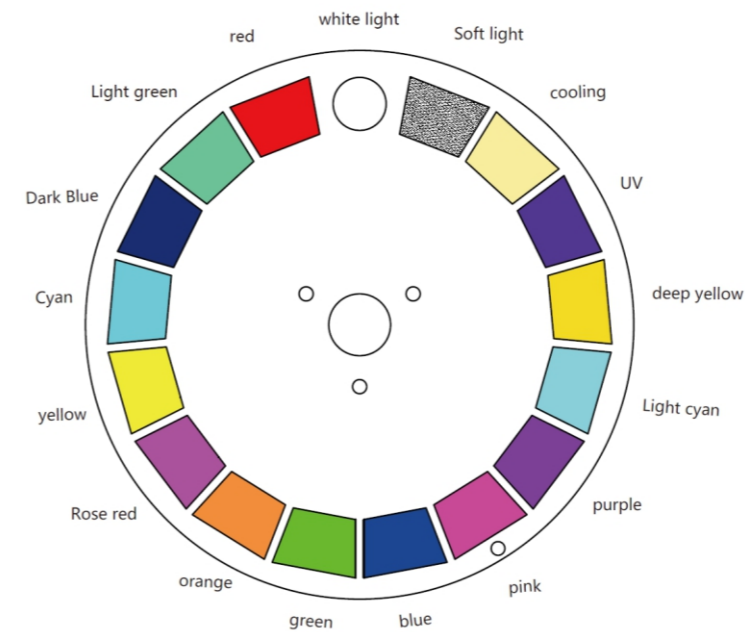


Moving Head Beam Light

TL-LT804



Color wheel



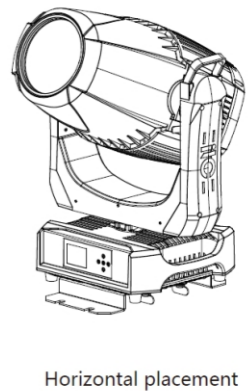
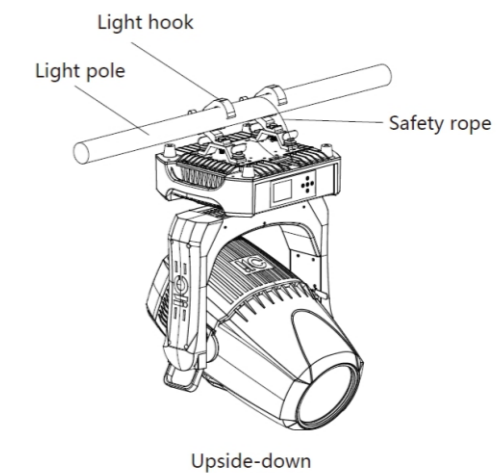
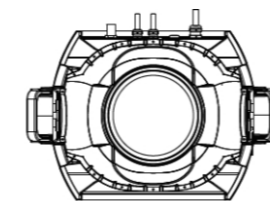
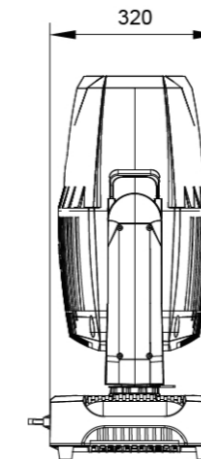
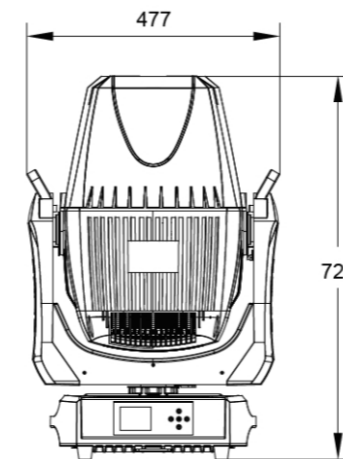
Features

- *Color: 1 color wheel, 16 colors + 1 white light.
- *Fixed pattern: 18 fixed gobo wheel + 1 white light, with flow, index, and shaking functions.
- *Focus: DMX linear focusing, ultra-fine and smooth focus adjustment.
- *Prism (standard): eight prisms + four row lens, sixteen prisms, support variable-speed bidirectional rotation and superimposition.
- *Strobe: Double-chip strobe 0.3-25 times/s, with synchronous, asynchronous and random strobe modes, and the speed is adjustable.
- *Scanning range: X-axis 540°/4.5 S, Y-axis 270°/2.8 S, with automatic return function.
- *Display interface: adopt widescreen 2.8-inch LCD interface in Chinese and English, with flip function;
- *The input signal has isolation protection function to ensure stable signal transmission without interference.
- *Support high temperature intelligent protection, automatically turn off the light if the temperature is too high;
- *Support automatic power reduction of ballast in closed light state;
- *Support software upgrade through DMX data cable;
- *Support to display lamp usage time, bulb usage time and software version number.

Specification

Input voltage	AC110V-240V 50/60Hz ,750W
Ballast	Electronic ballast
Light source	SIRIUS HRI® 550W S
Average lifespan	1500H
Color temperature	7700K
Beam angle	2.5°
Control mode	DMX512 protocol ;support RDM protocol and program online update function (optional for DMX wireless function)
Channel	12/15 channels
Fixture material	High temperature engineering plastic + cast aluminum material
Protection class	Ip66
Fixture size (L×W×H)	477×320×724mm
Package size (L×W×H)	630×550×660mm
Gross weight	40kg
Net weight	34.5kg

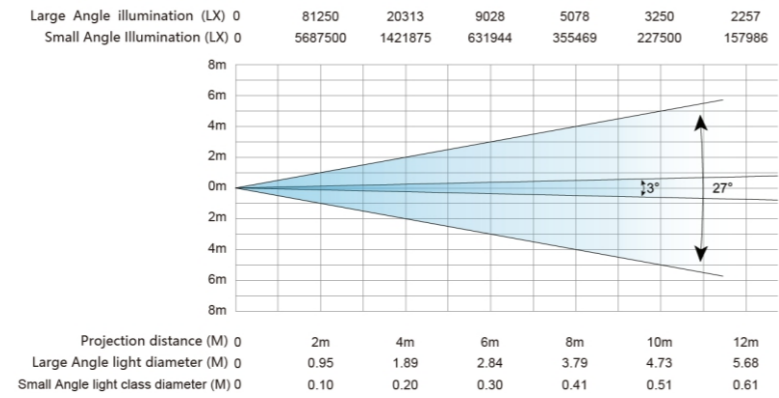
Dimension diagram(mm)



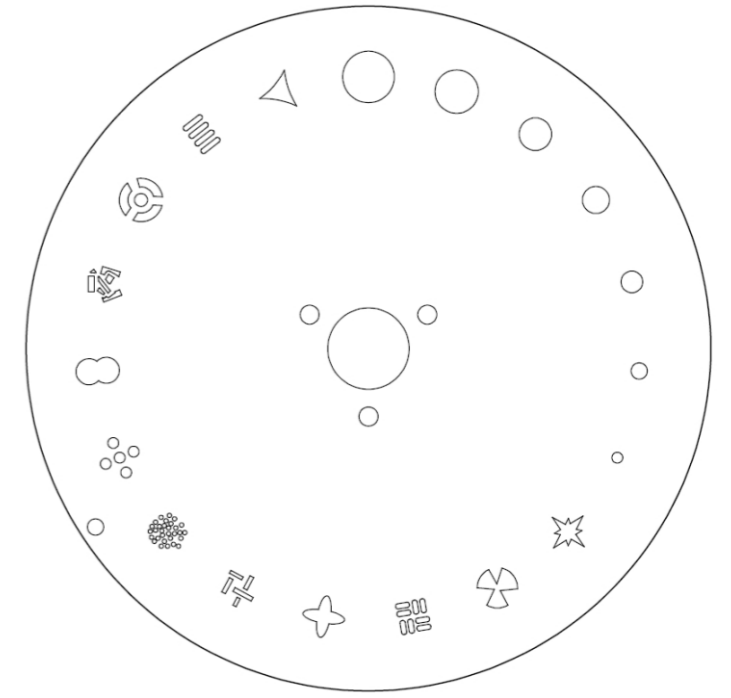
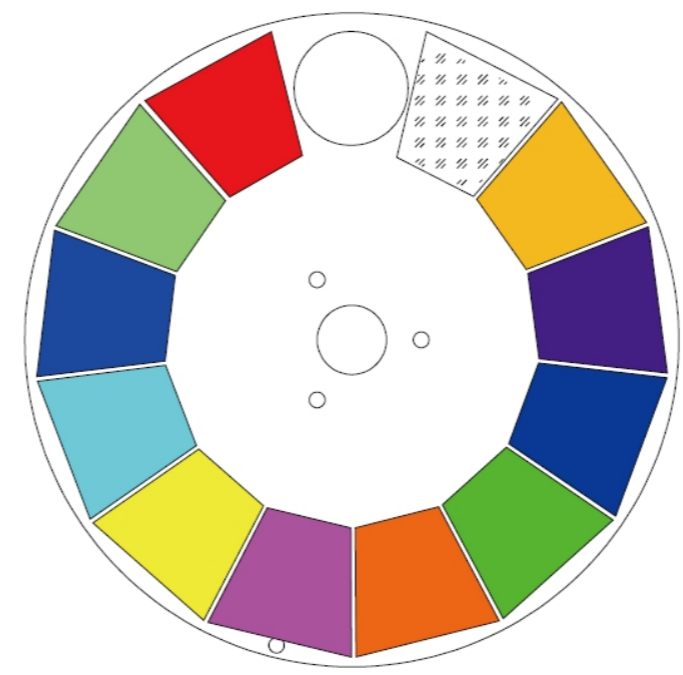


460W Waterproof Moving Head Beam Light

TL-LT812



Color wheel



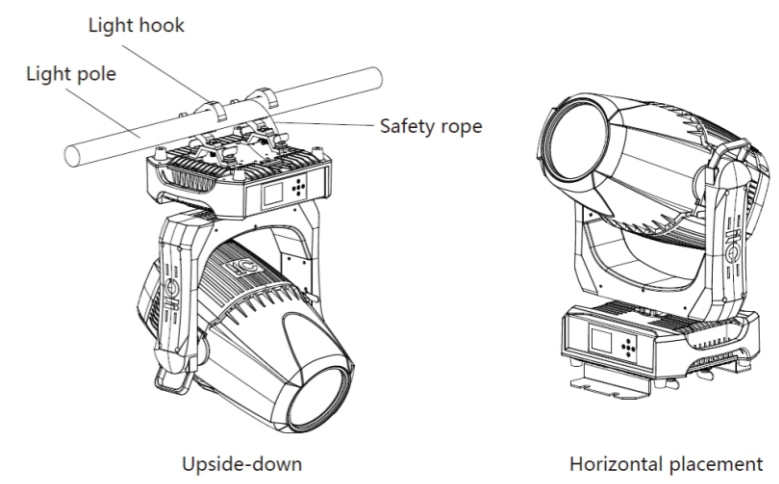
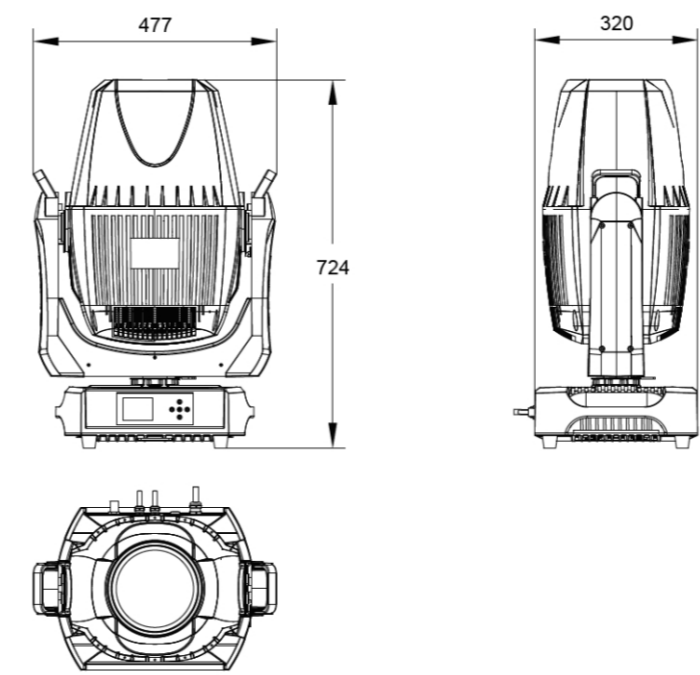
Features

- * Color: CMY linear color mixing system, with macro function, independent linear color temperature reduction system; 1 color wheel: 12 color gels + 1 white light
- * Rotating gobo wheel: 7 rotatable gobos + 1 white light, two-way rotation, dithering and two-way variable speed flow effect.
- * Effect wheel: 1 pattern effect wheel, two-way variable-speed flow effect.
- * Zooming and focusing: DMX linear adjustment, ultra-smooth focusing adjustment.
- * Prism (standard): octagonal prism + 4-row lens, hexadecagon prism + atomization lens, support two-way rotation, superimposition, and adjustable speed.
- * Strobe: double-chip strobe 0.3-25 times/s, support synchronous, asynchronous, random stroboscopic mode, and adjustable speed.
- * Scan range: X-axis 540°/4.5 s, Y-axis 270°/2.8 s, with automatic return function.
- * Display interface: adopt 2.8-inch widescreen LCD interface in Chinese and English, with flipping function;
- * Other functions: the input signal has isolation protection function to ensure stable signal transmission without interference; support high temperature intelligent protection, the lamp will be automatically turned off when it is overheated; the ballast will automatically reduce the power when the light is off; the software will be upgraded through the DMX data line; the lamp usage time, bulb usage time and software version number will be displayed.

Specification

Input voltage	AC110V-240V 50/60Hz, 650W
Ballast	PHILIPS/SVD/H460
Light source	PHILIPS/MSD/Silver/460W
Color temperature	7800K
Average lifespan	1500H
Beam angle	3°~27°
Control mode	International standard DMX512 signal, 3-core signal line (five-core optional) DMX512 interface; DMX wireless function optional; fixture self-propelled mode, master and slave mode; support RDM protocol and program online update function.
Channel	21/26 channel
Fixture material	High temperature resistant plastic + molded alloy material
Protection level	Ip66
Fixture size (L×W×H)	477×320×724mm
Package size (L×W×H)	630×550×660mm
Gross weight	46kg
Net weight	40.5Kg

Dimension diagram(mm)

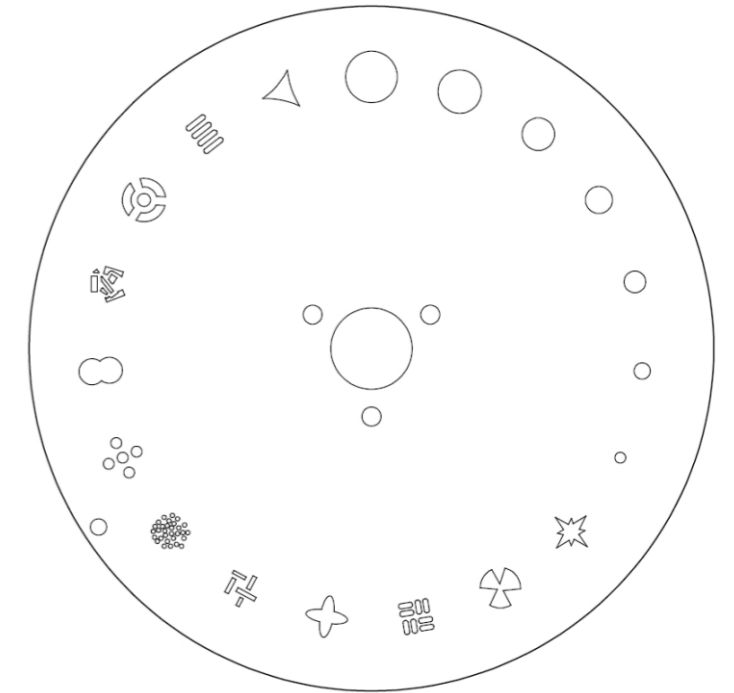
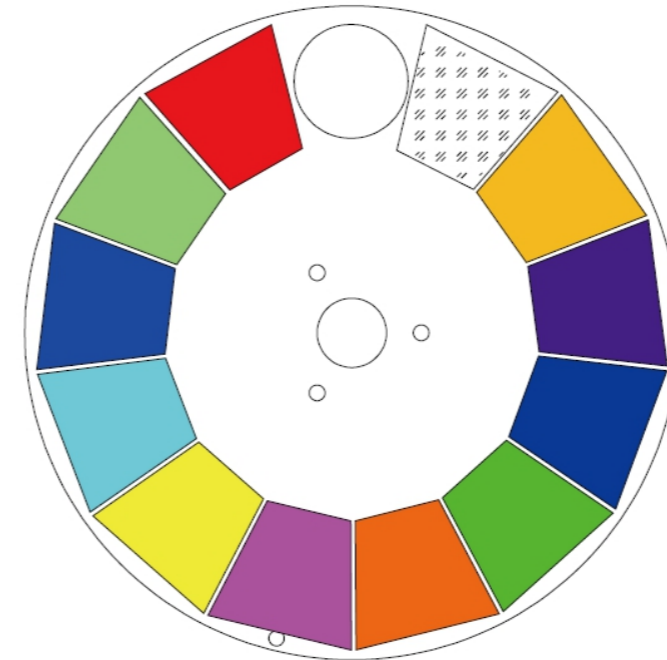
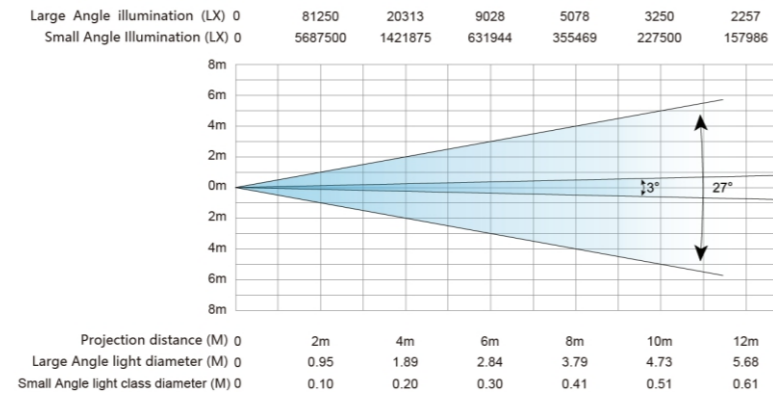




Moving Head Beam Light

TL-LT813

Color wheel



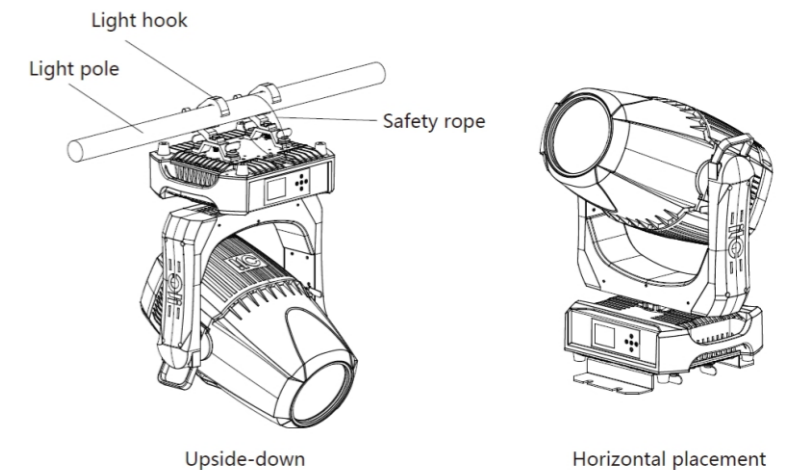
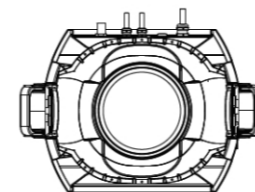
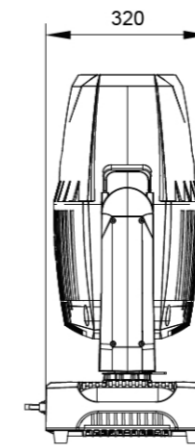
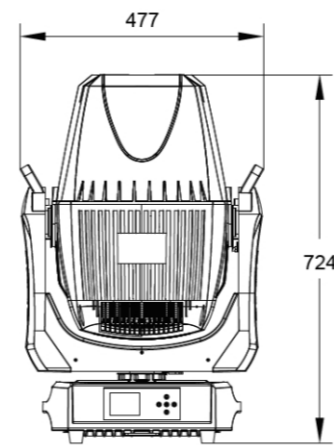
Features

- *Color: CMY linear color mixing system, with macro function, independent linear color temperature reduction system; 1 color wheel: 12 color gels + 1 white light.
- *Fixed gobo wheel: 18 fixed gobos + 1 white light, with pattern dithering, bidirectional variable-speed flow effect, adjustable speed, and flexible positioning function.
- *Rotating gobo wheel: 7 rotatable gobos + 1 white light, two-way rotation, dithering and bidirectional variable-speed flow effect.
- *Effect wheel: 1 pattern effect wheel, two-way variable-speed flow effect.
- *Zooming and focusing: DMX linear adjustment, ultra-smooth focusing adjustment.
- *Prism (standard): octagonal prism + 4-row lens, hexadecagon prism + atomization lens, support two-way rotation, superimposition, and adjustable speed.
- *Strobe: double-chip strobe 0.3-25 times/s, support synchronous, asynchronous, random stroboscopic mode, and adjustable speed.
- *Scan range: X-axis 540°/4.5 s, Y-axis 270°/2.8 s, with automatic return function.
- *Display interface: adopt a 2.8-inch widescreen LCD interface in Chinese and English, with flipping function;
- *Other functions: the input signal has isolation protection function to ensure stable signal transmission without interference; support high temperature intelligent protection, the lamp will be automatically turned off when it is overheated; the ballast will automatically reduce the power when the light is off; the software will be upgraded through the DMX data line; the lamp usage time, bulb usage time and software version number will be displayed.

Specification

Input voltage	AC110V-240V 50/60Hz, 650W
Ballast	Electronic ballast
Light source	SIRIUS-HRI-482W
Color temperature	7500K
Average lifespan	1500H
Beam angle	3°~27°
Control mode	International standard DMX512 signal, 3-pin signal line (five-pin optional) DMX512 interface; DMX wireless function optional; lamp self-propelled mode, master and slave mode; support RDM protocol and program online update function
Channel	21/26 channels
Fixture material	High temperature resistant plastic + molded alloy material
Protection level	Ip66
Fixture size (L×W×H)	477×320×758mm
Package size (L×W×H)	665×520×660mm
Gross weight	46kg
Net weight	40.6Kg

Dimension diagram(mm)

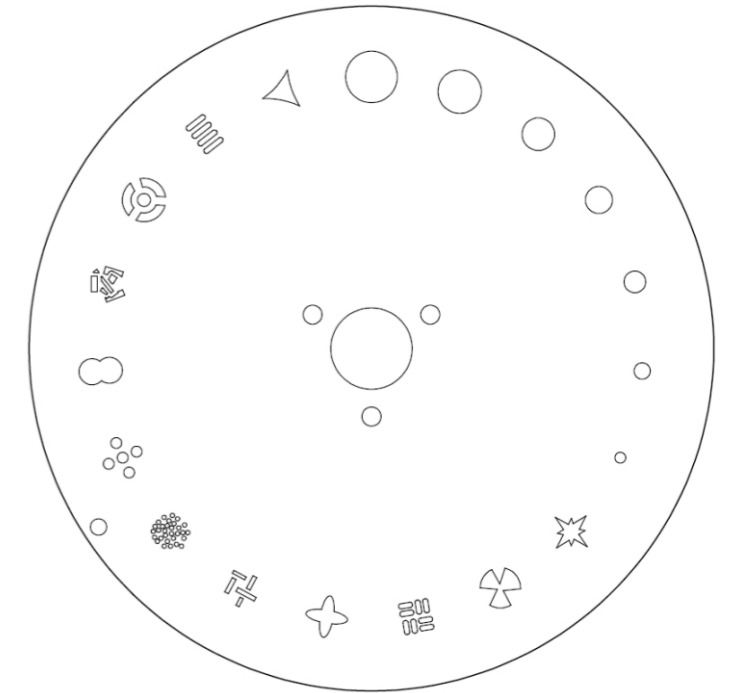
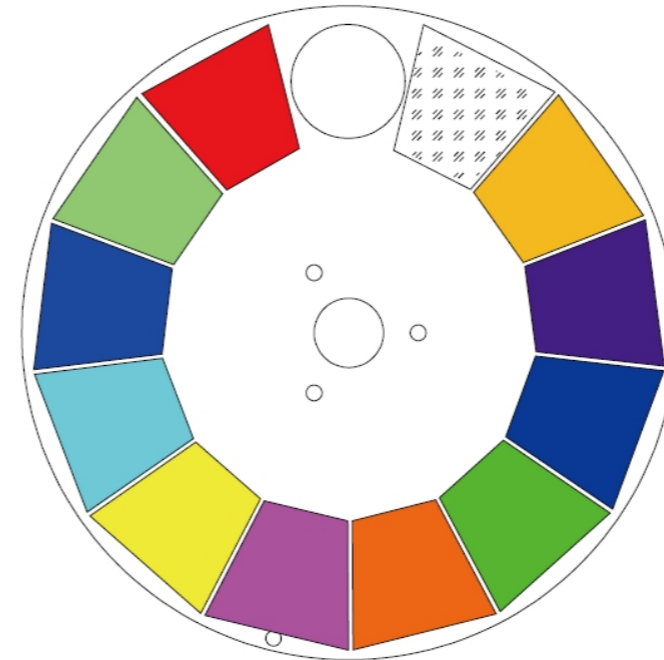
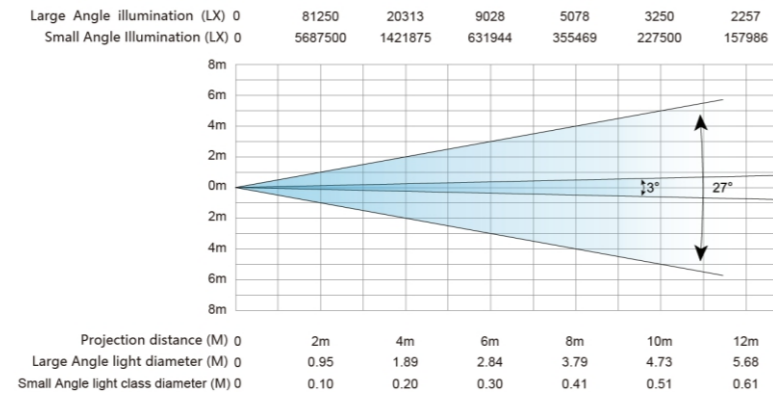




Moving Head Beam Light

TL-LT814

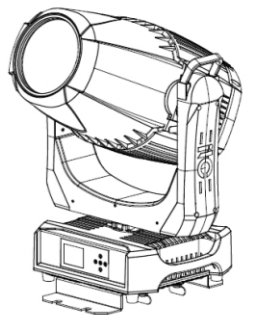
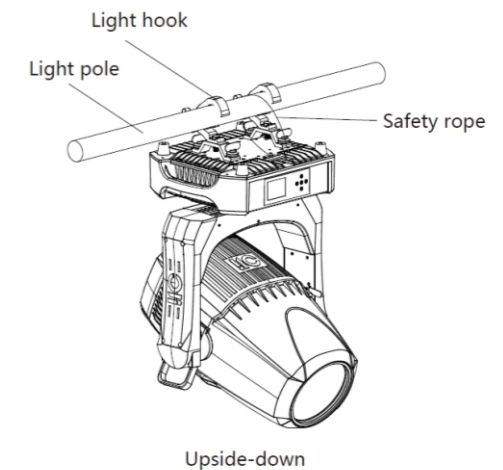
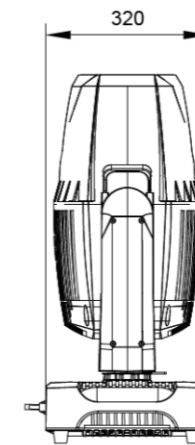
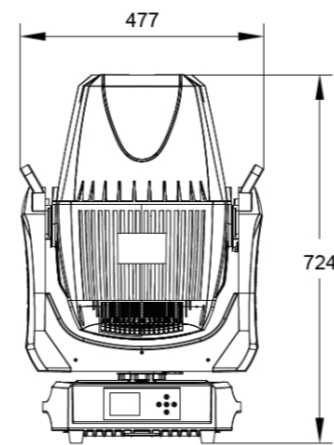
Color wheel



Features

- *Color: CMY linear color mixing system, with macro function, independent linear color temperature reduction system; 1 color wheel: 12 color gels + 1 white light.
- *Fixed gobo wheel: 18 fixed gobos + 1 white light, with pattern dithering, bidirectional variable-speed flow effect, adjustable speed, and flexible positioning function.
- *Rotating gobo wheel: 7 rotatable gobos + 1 white light, two-way rotation, dithering and bidirectional variable-speed flow effect.
- *Effect wheel: 1 pattern effect wheel, two-way variable-speed flow effect.
- *Zooming and focusing: DMX linear adjustment, ultra-smooth focusing adjustment.
- *Prism (standard): octagonal prism + 4-row lens, hexadecagon prism + atomization lens, support two-way rotation, superimposition, and adjustable speed.
- *Strobe: double-chip strobe 0.3-25 times/s, support synchronous, asynchronous, random stroboscopic mode, and adjustable speed.
- *Scan range: X-axis 540°/4.5 s, Y-axis 270°/2.8 s, with automatic return function.
- *Display interface: adopt a 2.8-inch widescreen LCD interface in Chinese and English, with flipping function;
- *Other functions: the input signal has isolation protection function to ensure stable signal transmission without interference; support high temperature intelligent protection, the lamp will be automatically turned off when it is overheated; the ballast will automatically reduce the power when the light is off; the software will be upgraded through the DMX data line; the lamp usage time, bulb usage time and software version number will be displayed.

Dimension diagram(mm)



Specification

Input voltage	AC110V-240V 50/60Hz 740W
Ballast	Electronic ballast
Light source	SIRIUS-HRI-550W-S
Color temperature	6000K
Average lifespan	1500H
Beam angle	3°~27°
Control mode	International standard DMX512 signal, 3-pin signal line (five-pin optional) DMX512 interface; DMX wireless function optional; lamp self-propelled mode master and slave mode; support RDM protocol and program online update function
Channel	21/26 channels
Fixture material	High temperature resistant engineering plastic + cast aluminum material
Protection level	Ip66
Fixture size (L×W×H)	477×320×758mm
Package size (L×W×H)	665×520×660mm
Gross weight	46kg
Net weight	40.6kg



Moving Head Beam Light

TL-LT821



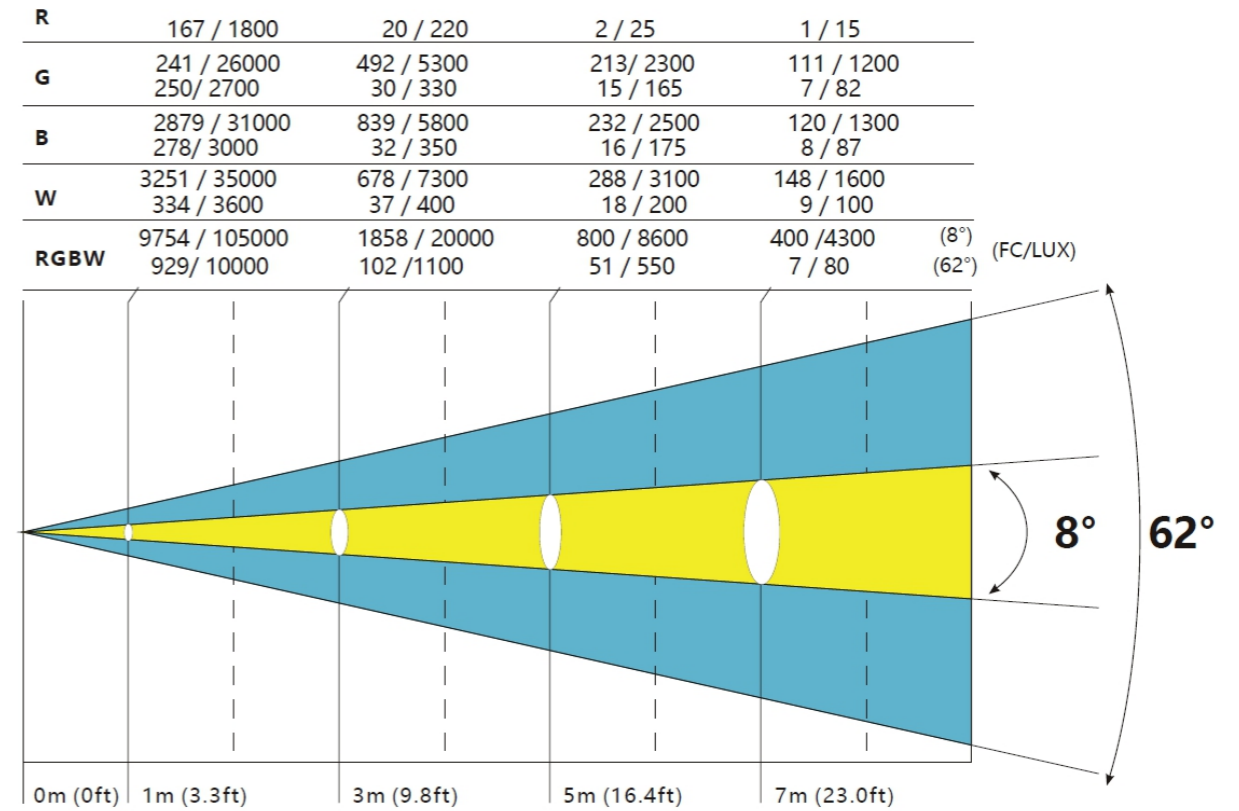
Features

- * Various preset dynamic virtual pattern effects, bidirectional rotation, adjustable speed.
- * Various preset static virtual pattern effects.
- * The foreground color of the dynamic/static virtual pattern is optional, the color temperature is adjustable, and it supports dimming.
- * The background color of the dynamic/static virtual pattern is optional, the color temperature is adjustable, and it supports dimming.
- * Dimming system 0~100% smooth linear LED dimming.
- * Support horizontal/vertical rotation and correction.
- * RGBW stepless color mixing.
- * Uniform light spot, pure color mixing, delicate and full light color.
- * Built-in 33 color macro function effects.
- * 7 built-in self-propelled programs.
- * The screen is equipped with a battery, and can be used for the address code setting and other settings in the menu.
- * With DMX signal monitoring indicator.
- * The screen can be flipped by 180°.
- * Automatic screen off function.
- * High-efficient and noise-free five-fan natural cooling system, cooling aluminum/copper + liquid/fan.
- * Support the display and management of the working temperature of the light.
- * The over temperature protection function can reduce the lamp bead power to ensure the normal use.

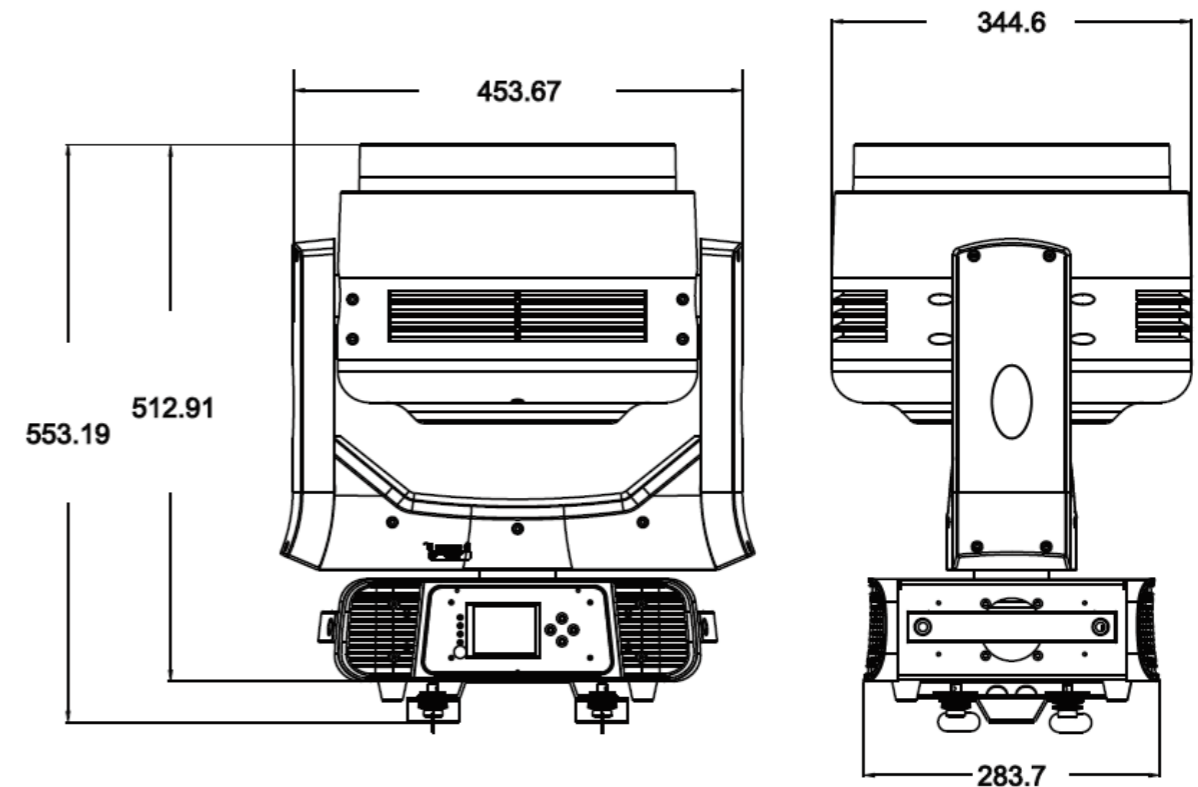
Specification

Input voltage	AC110V-240V 50/60Hz, 960W
Light source	19*40W LED
Color temperature	2800K-3200K tungsten lamp simulation effect, 3200K-8000K linear color temperature adjustment
Average lifespan	20000H
Beam angle	5.5-50°
Control mode	International standard DMX512 signal; DMX512, master-slave, voice control or self-propelled operation, Art-NET control (optional) built-in imported DMX wireless receiver (optional)
Channel	14/20/30/37 channel
Power supply	Waterproof power line input and output, with switch and fuse holder
Signal input	Input signal isolation protection function to ensure stable signal transmission without interference
Network interface	Waterproof RJ45 Ethernet connector input and output (optional)
Signal line	Waterproof signal line input and output
Screen	2.4-inch HD TFT LCD touch screen
Working temperature	-25°C-45°C
Protection class	Ip65
Fixture size (L*W*H)	324.5*444*591mm
Package size (L*W*H)	530*650*700mm
Gross weight	27kg
Net weight	24kg

Light effect diagram



Dimension diagram(mm)





Moving Head Gobo Light

TL-LT865



Large angle illuminance(Lx)	0	9279	2320	1031	580	371	258
Small angle illuminance(Lx)	0	322332	80583	35815	20146	12893	8954

Projection distance(M)	0	2m	4m	6m	8m	10m	12m
Large angle spot diameter(M)	0	1.76	3.51	5.27	7.03	8.79	10.54
Small angle spot diameter(M)	0	0.22	0.44	0.66	0.88	1.11	1.33

Color wheel



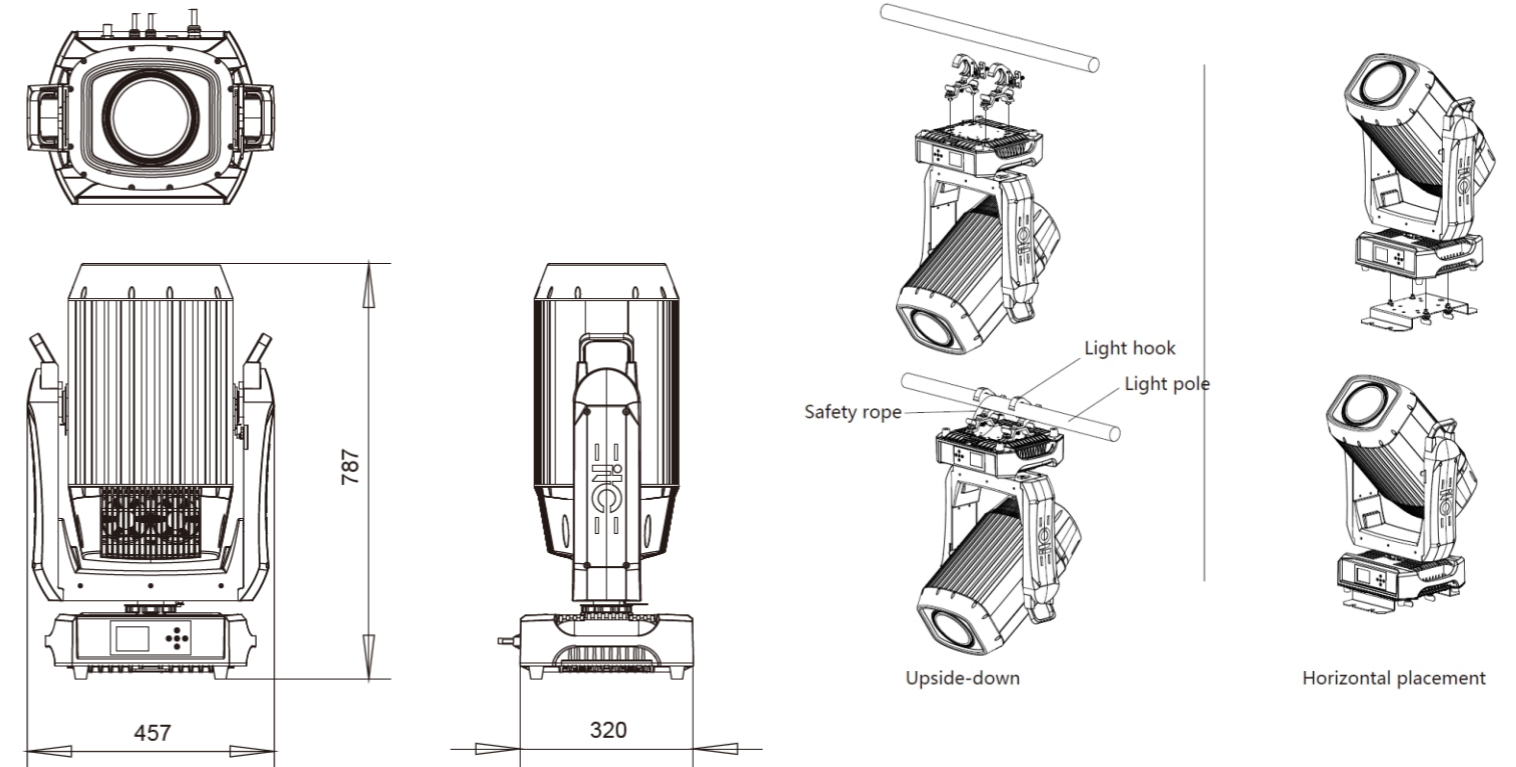
Features

- *Dimming: 0-100% linear dimming.
- *Color wheel: 7 color gels + white light, bidirectional stepless rotation, magnet positioning, color index, half-color and other functions.
- *Gobo wheel: 6 rotating gobo wheels, 6 gobos; gobo positioning, rotation, dithering and other effects.
- *Effect wheel: 1 pattern effect wheel, bidirectional variable speed flow effect.
- *Adjustable focus: DMX linear focusing, ultra-fine and smooth focus adjustment.
- *Prism: Optional triangular prism, rectangular prism, and four-row lens, etc.
- *Atomization: 10%-100%.
- *Strobe: Electronic strobe, 0-25 times/sec (built-in pulse strobe effect).
- *Scanning range: X-axis 540°/4.5 S, Y-axis 270°/2.8 S, with auto return function.
- *Display interface: 2.8-inch LCD widescreen Chinese and English interface, with flip function.
- *Other functions: The input signal has an isolation protection function to ensure stable signal transmission without interference; built-in NTC temperature control function, when the LED is overheated, the output power of the LED will be intelligently reduced; it supports software upgrade through the DMX data line; the lamp usage time, bulb usage time and software version number can be displayed.

Specification

Input voltage	AC110V-240V, 50/60Hz
Rated power	930W@220V
Light source	one 650W white light LED module
Color temperature	7500K
Average lifespan	20000H
Beam angle	5° - 50° linear focusing
Control mode	International standard DMX512 signal, 3-pin signal line (five-pin optional) DMX512 interface; DMX wireless function optional; lamp self-propelled mode, master and slave mode; support RDM protocol and program online update function.
Channel	19/16 channels
Fixture material	High temperature resistant engineering plastic + cast aluminum/drawn aluminum material + copper tube radiator + waterproof fan for heat dissipation
Protection class	Ip66
Fixture size (L×W×H)	457×320×787mm
Package size (L×W×H)	730×670×545mm
Gross weight	47kg
Net weight	42.5Kg

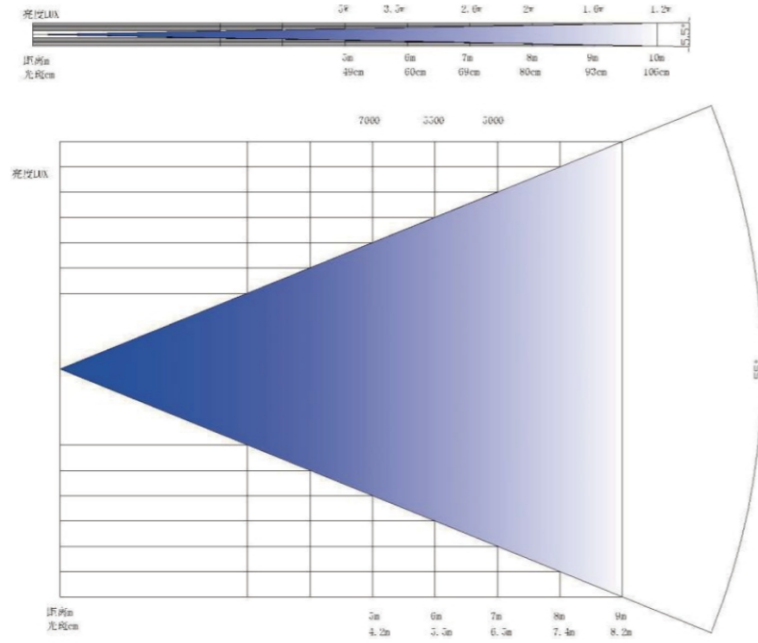
Dimension diagram(mm)





Moving Head Beam Light TL-LT881

TL-LT881



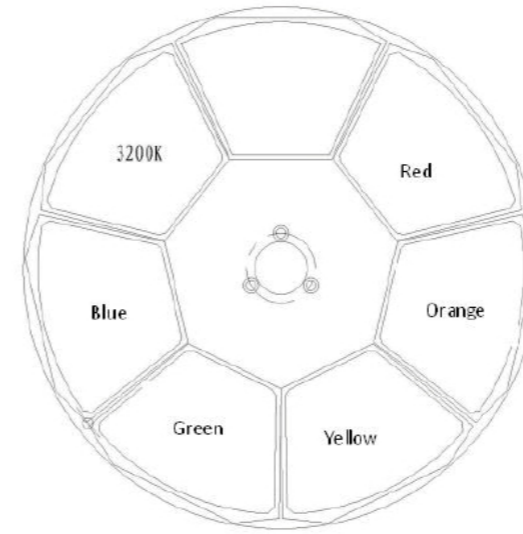
Features

- *Color: 6 colors + white light, half-color effect.
- *Fixed gobo wheel: 6 fixed gobos + 2 white light.
- *Rotatable gobo wheel: 6 replaceable and rotatable glass gobos +1 white light.
- *Prism: rotating triangular prism effect.
- *Cutting wheel: professional independent cutting module can cut various patterns in eight directions; with independent aperture mode, the patterns can be scaled up/down.
- *Optical lens: high-precision glued optical lens.
- *Focusing: linear focusing.
- *Dimming: 0-100% linear adjustment.
- *Strobe: electronic strobe.
- *Scanning: Y-axis adjustable angle.
- *LED screen + button control.

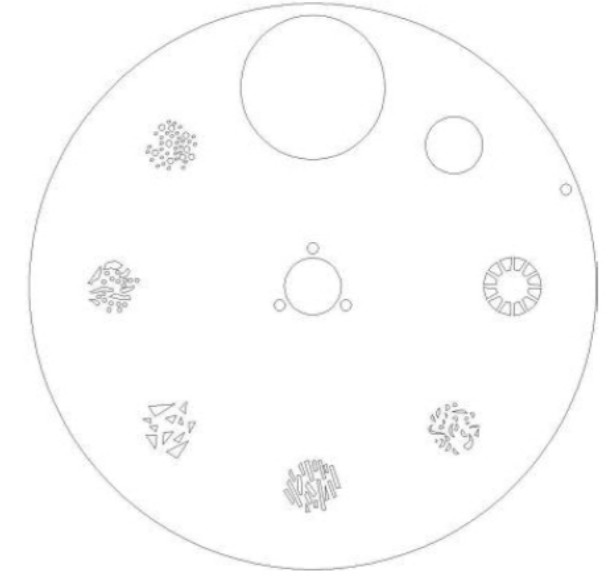
Specification

Input voltage	AC110V-240V 50/60Hz, 800W
Light source	Appotronics LED640W light source
Color temperature	8000K
Average lifespan	20000H
Beam angle	5.5-50°
Motor	A total of 19 ultra-quiet high-temperature resistant low-volatility motors
Control mode	International standard DMX512 signal; support RDM protocol, support customized wireless signal
Channel	28 channels
Fixture material	High temperature resistant anti-ultraviolet anti-oxidation alloy plastic + national standard die-casting
Protection class	Ip66
Fixture size (L×W×H)	385.8×290.5×669.5mm
Net weight	30.36kg

Function

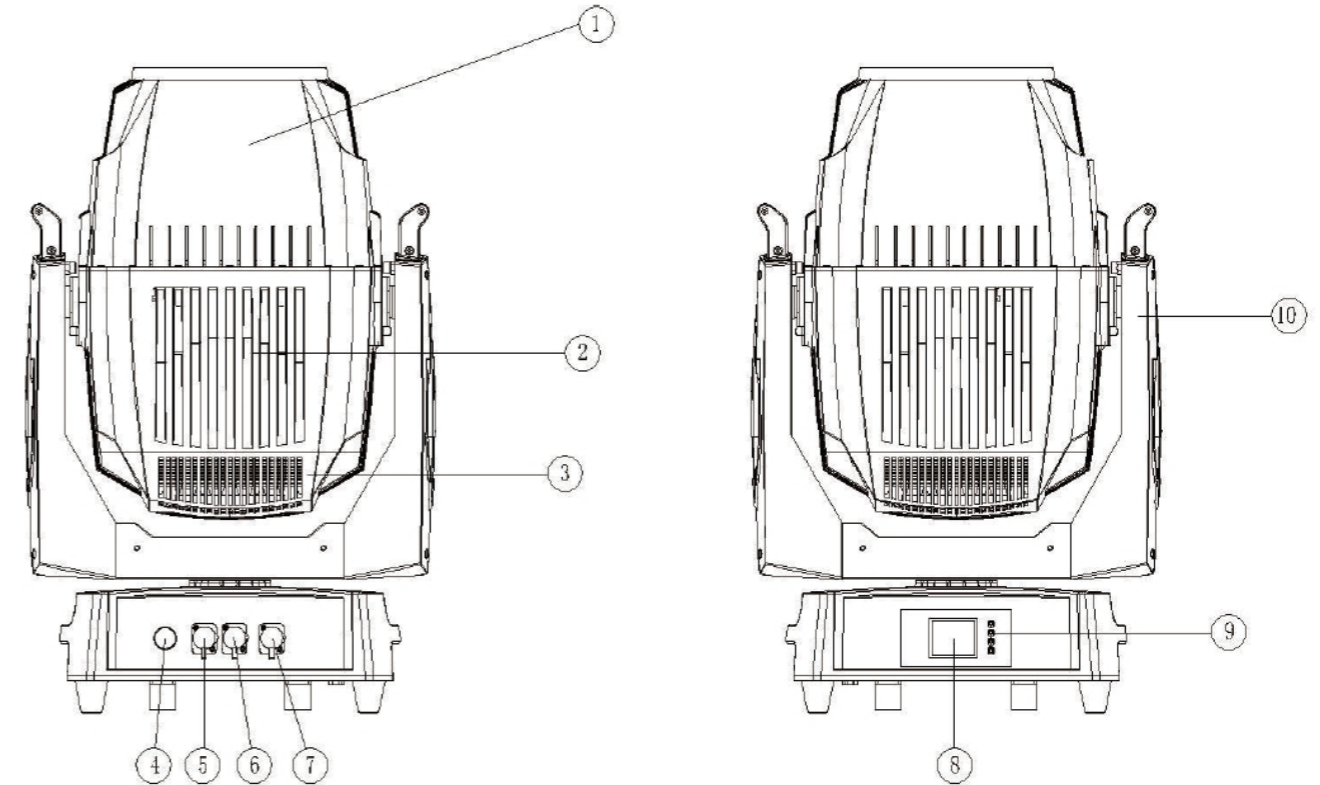


Color panel



Pattern panel

Schematic diagram



- 1: lens
- 2: die casting fixture
- 3: back cover
- 4: wireless plug
- 5: waterproof 3-core input
- 6: waterproof 3-core output
- 7: waterproof power input
- 8: display
- 9: button
- 10: another view of the fixture



Moving Head Profile Light

TL-LT886A



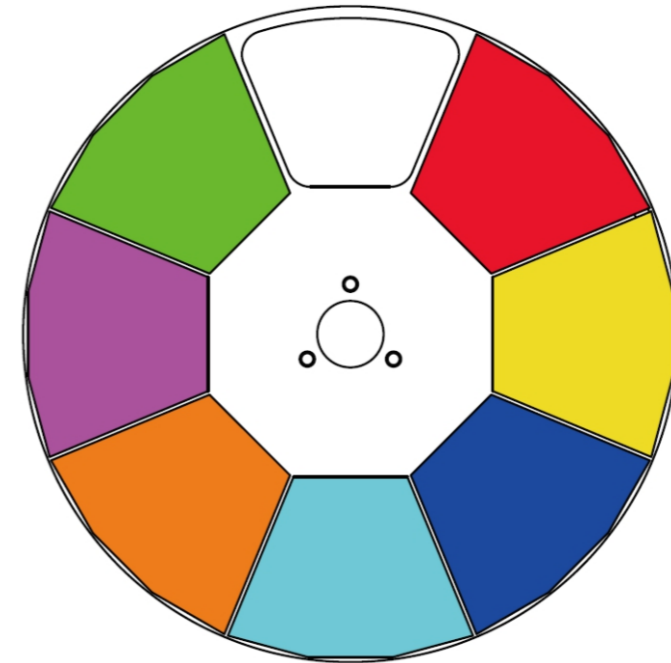
Features

- *Dimming: 0-100% linear dimming.
- *Color wheel: 7 color gels + white light, bidirectional stepless rotation, magnet positioning, color index, half-color and other functions.
- *Gobo wheel: 6 rotating gobo wheels, 6 gobos; gobo positioning, rotation, dithering and other effects.
- *Cutting system: It can cut graphics including triangles, squares, parallelograms, and semicircles; the cutter pattern supports bidirectional 90° rotation and flexible positioning functions according to the scene.
- *Aperture function: Zoom-in and zoom-out dynamic effects can be achieved.
- *Adjustable focus: DMX linear focusing, ultra-fine and smooth focus adjustment.
- *Prism: Optional triangular prism, rectangular prism, and four-row lens, etc.
- *Atomization: 10%-100%.
- *Strobe: Electronic strobe, 0-25 times/sec (built-in pulse strobe effect).
- *Scanning range: Horizontal 540°, vertical 270°, with auto return function.
- *Display interface: 2.8-inch LCD widescreen Chinese and English interface, with flip function.
- *Other functions: The input signal has an isolation protection function to ensure stable signal transmission without interference; built-in NTC temperature control function, when the LED is overheated, the output power of the LED will be intelligently reduced; it supports software upgrade through the DMX data line; the lamp usage time, bulb usage time and software version number can be displayed.

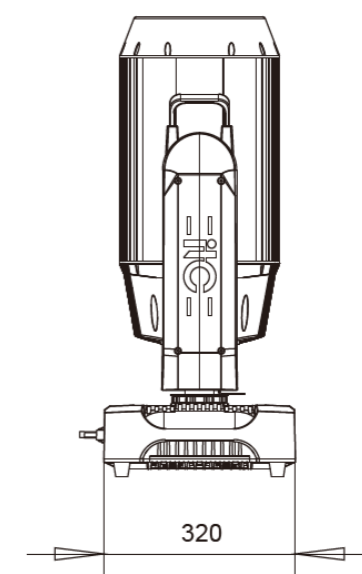
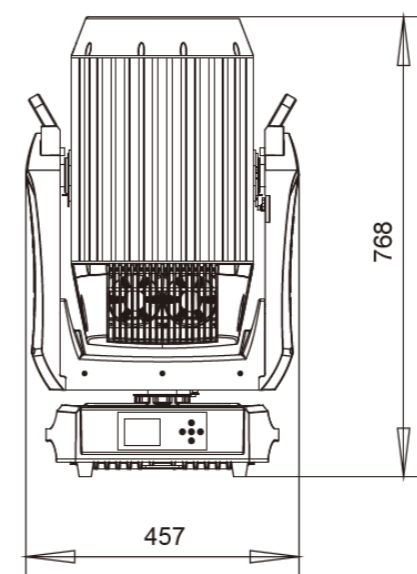
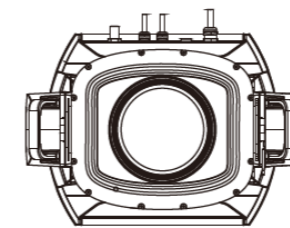
Specification

Input voltage	110V~240V AC, 50/60Hz
Rated power	1300W@220V
Light source	1pcs 1050W white light LED module Osram chip
Color temperature	6800K±300K, CRI ≥ 95
Service lifespan	≥20000H
Beam angle	5°-50°
Control mode	International standard DMX512 signal, 3-core signal line (five-core optional) DMX512 interface; DMX wireless function optional; 4 operation modes (DMX mode, self-propelled mode, manual mode, stand-alone editing mode); support RDM protocol and program online update function
Channel	28/14 channels
Fixture material	High temperature resistant engineering plastic + cast aluminum/wire-drawing aluminum material + copper tube radiator + waterproof fan for heat dissipation
Working temperature	-20°C~45°C
Protection class	Ip66
Fixture size (L×W×H)	457×320×768mm
Package size (L×W×H)	690×540×735mm
Gross weight	51KG
Net weight	45KG

Color wheel



Schematic diagram





Moving Head Profile Light

TL-LT886



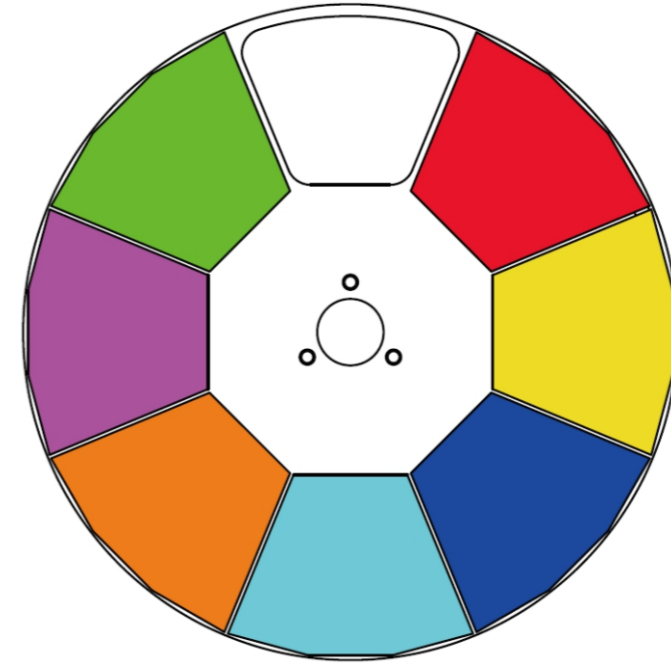
Features

- *Dimming: 0-100% linear dimming.
- *Color wheel: 7 color gels + white light, bidirectional stepless rotation, magnet positioning, color index, half-color and other functions.
- *Gobo wheel: 6 rotating gobo wheels, 6 gobos; gobo positioning, rotation, dithering and other effects.
- *Cutting system: It can cut graphics including triangles, squares, parallelograms, and semicircles; the cutter pattern supports bidirectional 90° rotation and flexible positioning functions according to the scene.
- *Aperture function: Zoom-in and zoom-out dynamic effects can be achieved.
- *Adjustable focus: DMX linear focusing, ultra-fine and smooth focus adjustment.
- *Prism: Optional triangular prism, rectangular prism, and four-row lens, etc.
- *Atomization: 10%-100%.
- *Strobe: Electronic strobe, 0-25 times/sec (built-in pulse strobe effect).
- *Scanning range: Horizontal 540°, vertical 270°, with auto return function.
- *Display interface: 2.8-inch LCD widescreen Chinese and English interface, with flip function.
- *Other functions: The input signal has an isolation protection function to ensure stable signal transmission without interference; built-in NTC temperature control function, when the LED is overheated, the output power of the LED will be intelligently reduced; it supports software upgrade through the DMX data line; the lamp usage time, bulb usage time and software version number can be displayed.

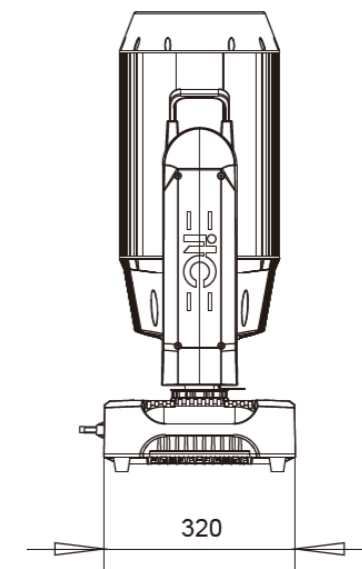
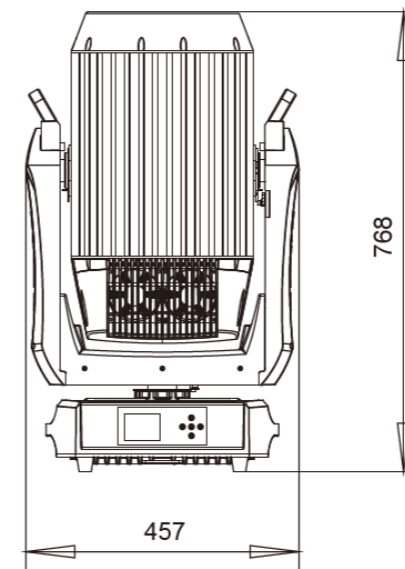
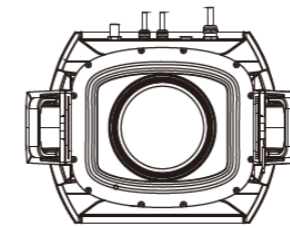
Specification

Input voltage	110V~240V AC, 50/60Hz
Rated power	900W@220V
Light source	1pcs 650W white light LED module Osram chip
Color temperature	8000K±300K, CRI≥95
Service lifespan	≥20000H
Beam angle	5°-50°
Control mode	International standard DMX512 signal, 3-core signal line (five-core optional) DMX512 interface; DMX wireless function optional; 4 operation modes (DMX mode, self-propelled mode, manual mode, stand-alone editing mode); support RDM protocol and program online update function
Channel	28/14 channels
Fixture material	High temperature resistant engineering plastic + cast aluminum/wire-drawing aluminum material + copper tube radiator + waterproof fan for heat dissipation
Working temperature	-20°C~45°C
Protection class	Ip66
Fixture size (L×W×H)	457×320×768mm
Package size (L×W×H)	690×540×735mm
Gross weight	51kg
Net weight	45KG

Color wheel



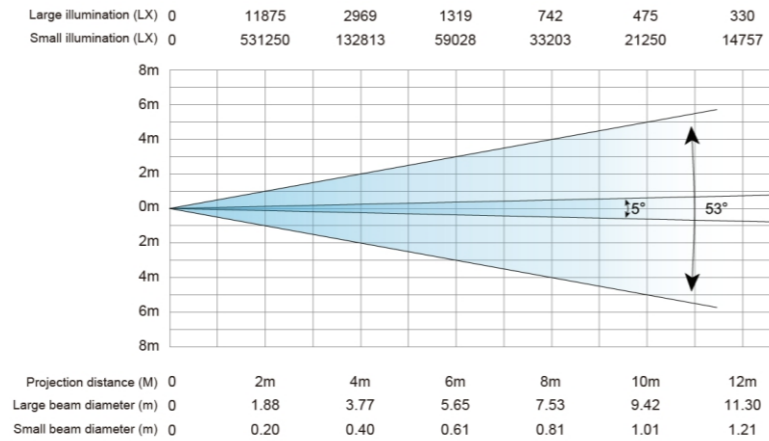
Schematic diagram



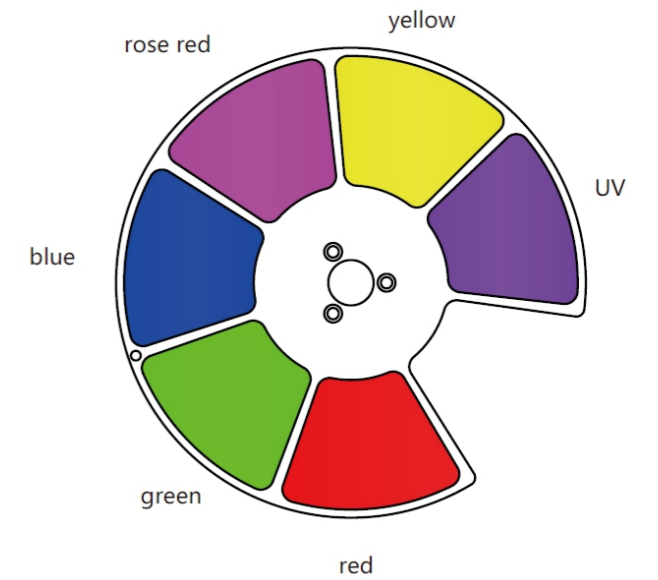


Moving Head Light

TL-LT887



Color disc



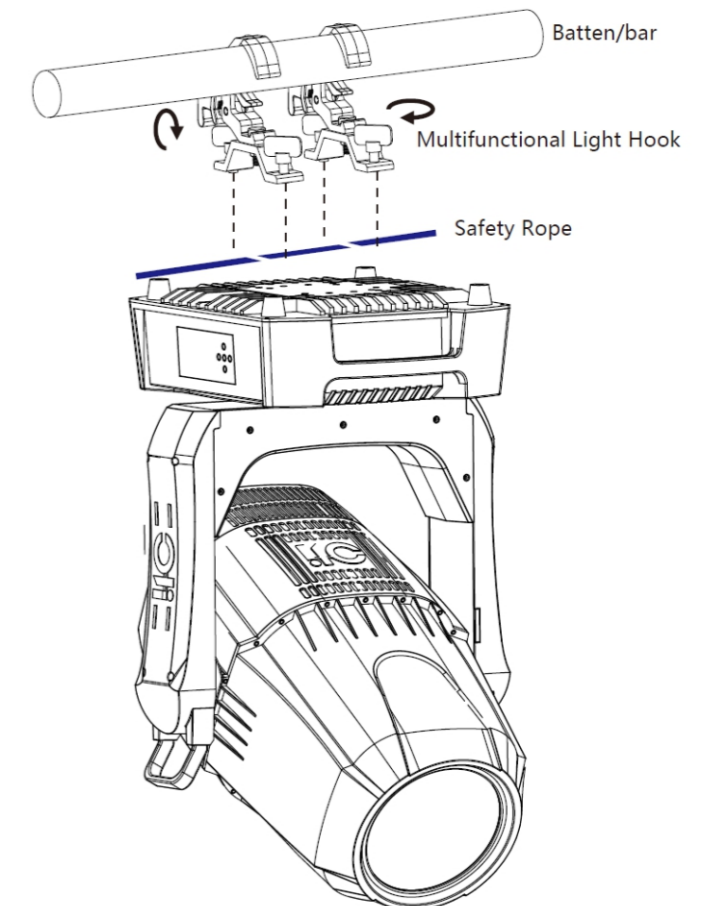
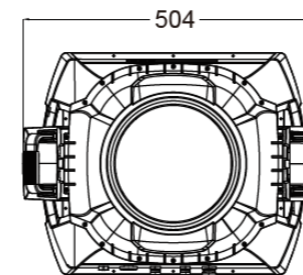
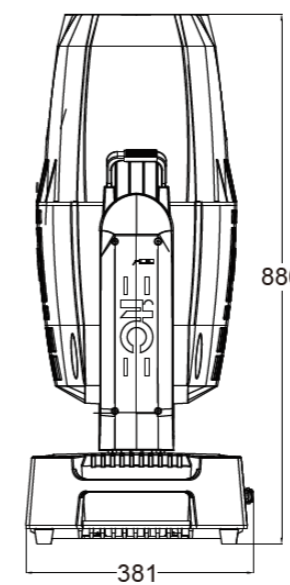
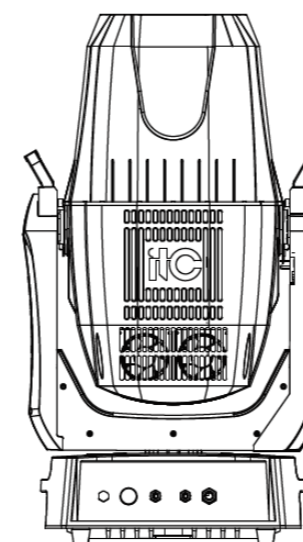
Features

1. Color mixing system: CMY+CTO color mixing system stepless color change.
2. Color wheel: 1 color wheel: 6 color gels + white light, half-color effect, arbitrary positioning, rainbow effect with bidirectional rotation function.
3. Fixed plug-in gobo wheel: 7 gobos, 1 white light, adjustable speed, arbitrary positioning function.
4. Rotating gobo wheel: 6 replaceable gobos + white light, bidirectional rotation and positioning function.
5. Pattern cutting system: Including triangles, squares, parallelograms, semi-circles; the cutting pattern supports 90° bidirectional rotation and arbitrary positioning function according to the scene.
6. Focusing: Adjustable linear focusing.
7. Prism: A triangular prism, bidirectional rotation and positioning function.
8. Zoom: 10× zoom 5-50°.
9. Atomization: 1 atomization wheel.
10. Scanning range: X-axis 540~630°/5 S, Y-axis 250°/3 S, precise scanning positioning, non-contact magnetic rotary encoder positioning, signal feedback, absolute position memory.
11. Display interface: Touch buttons, 2.4-inch LCD display interface in Chinese and English, with rechargeable battery, you can enter the menu to set the address code and perform other settings without powering on.
12. Intelligent heat dissipation: Using wind direction drainage and intelligent temperature monitoring technology, built-in NTC temperature control function, when the LED is overheated, the output power of the LED is intelligently reduced.
13. Aperture function: Zoom in and zoom out dynamic effects.
14. Lightning protection electronic control technology: Built-in enhanced lightning surge protection module.

Specification

Input voltage	AC110V-240V 50/60Hz, 1380W
LED light source	High power 1000W, white LED
Average lifespan	>20000H
Color temperature	6500K
Beam angle	5~53°
Control mode	DMX512 protocol, support RDM protocol and program online update function, support Art-net Ethernet data interface (DMX wireless function optional)
Channel	14/34 channels
Fixture material	Outdoor high temperature plastic + die-casting aluminum alloy material
Protection class	Ip66
Fixture size (L×W×H)	504×381×886mm
Flight case size (L×W×H)	778×627×958mm
Gross weight	108kg
Net weight	63kg

Product Size



LED Flood Light



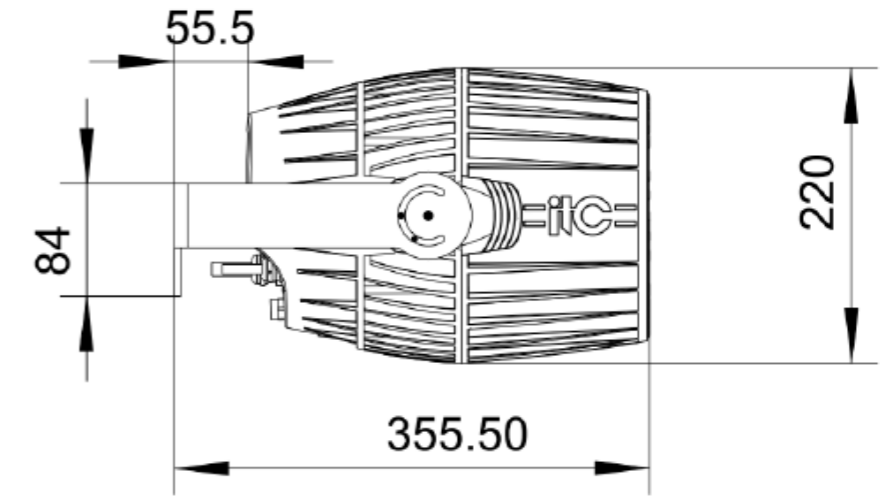
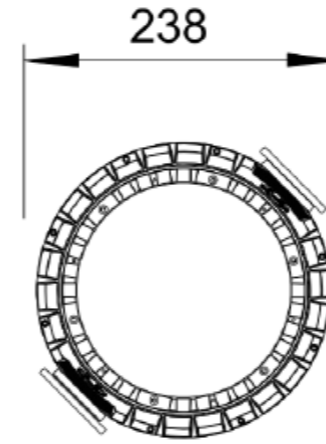


280W LED Flood Light

TL-LT601



Fixture size drawing (mm)

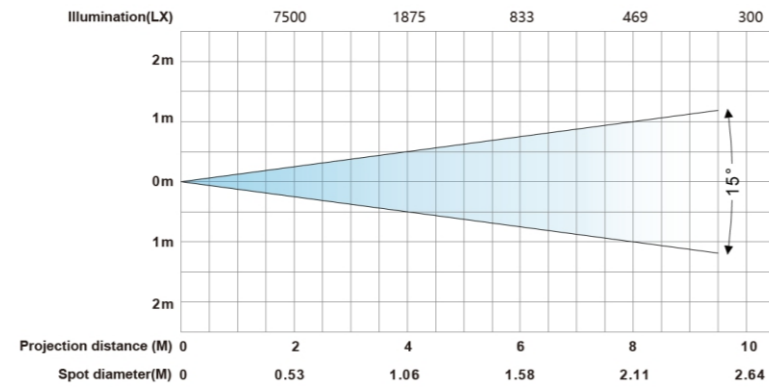


Features

- * Color: RGBW color mixing system.
- * Strobe: electronic strobe, 0-25 times/sec (built-in pulse stroboscopic effect).
- * Dimming: 0-100% linear adjustment.
- * Over-temperature protection function: built-in NTC temperature control function. When the LED is overheated, the output power will be intelligently reduced.
- * DMX512 port program update, convenient and fast software upgrade through DMX data cable.

Specification

Input voltage	AC 110-240V 50/60Hz, 280W
Light source	Seven 40W OSRAM RGBW 4 in 1 lamp beads
Average lifespan	50000H
Color temperature	7000K
Beam angle	10°~40°linear adjustment
Control mode	Comply with the international standard DMX512 signal control protocol, 3-core (5-core optional) DMX512 signal interface; master-slave synchronous control mode, support RDM protocol and program online update function
Operation mode	DMX mode, user program mode, built-in program mode
Channel	5/9 channels
Fixture material	High-strength die-cast aluminum alloy + copper tube radiator + a waterproof fan to assist heat dissipation
Protection class	Ip67
Working temperature	-20°C~45°C
Fixture size (L×W×H)	230×180×367mm
Package size (L×W×H)	270×250×455mm
Gross weight	10.0kg
Net weight	7.5kg



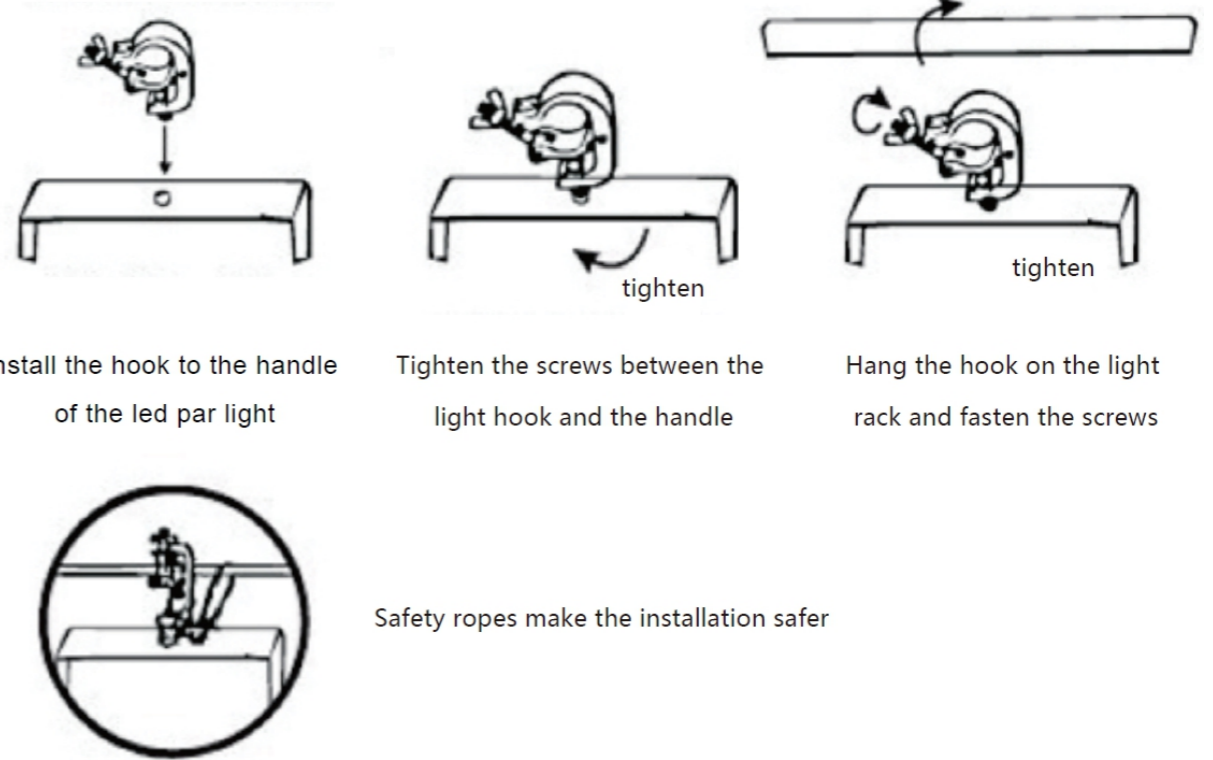
Features

- * Strobe: independent electronic strobe 1-25Hz.
- * Color mixing: RGB (red, green and blue) linear color mixing, 16.7 million colors (0-100% saturation adjustment), and built-in macro function.
- * Electronic dimming: 0-100% independent electronic linear dimming, lifelike and flicker-free camera video, the master-slave self-propelled automatic synchronization function, and the console normally controls the self-propelled permanent synchronization.
- * LCD menu: invoke various scenes, built-in programs can be directly invoked and executed.
- * Fixture connection: 3-core signal line IN/OUT and power line IN/OUT.
- * Cast aluminum housing, high luminous efficiency, uniform light mixing, and stable performance; equipped with a 1.3m hand-in-hand power line and signal line of 1 in and 1 out.
- * Over-temperature protection function: built-in NTC temperature control function. When the LED is overheated, the output power will be intelligently reduced.

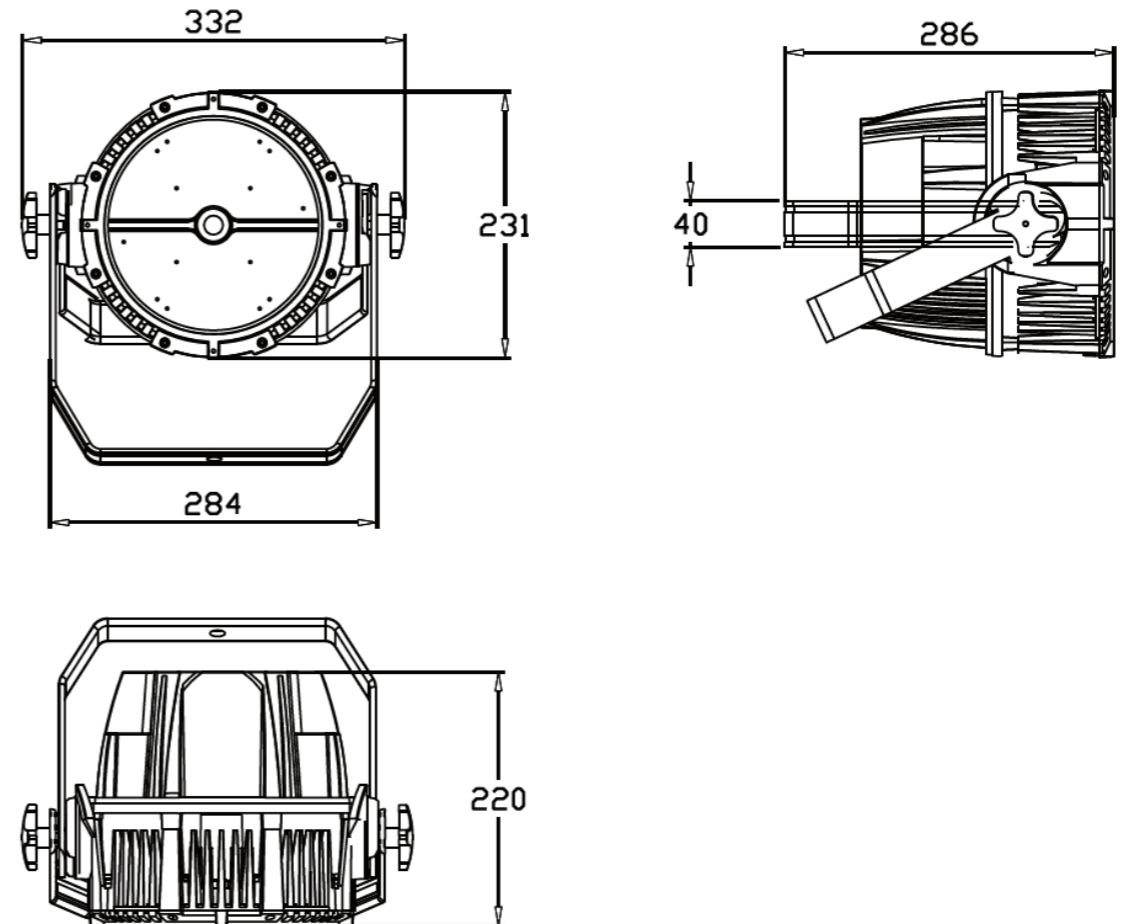
Specification

Input voltage	AC 110-240V 50/60Hz, 120W
Light source	54×3W LED(3IN1)
Average lifespan	50000H
Color temperature	3200K-7200K linear adjustment
Lens angle	25°(15°, 45° optional)
Control mode	DMX512, built-in program self-propelled, master-slave online mode, support RDM protocol and program online update function
Channel	3/7 channels
Lamp material	Cast aluminum housing
Protection level	Fireproof V-1, protection Ip65
Lamp size (L × W × H)	320×230×290mm
Packaging size (L × W × H)	295×295×330mm
Gross weight	6.75kg
Net weight	5.95kg
Working environment temperature	-20°C~45°C

Fixture Installation

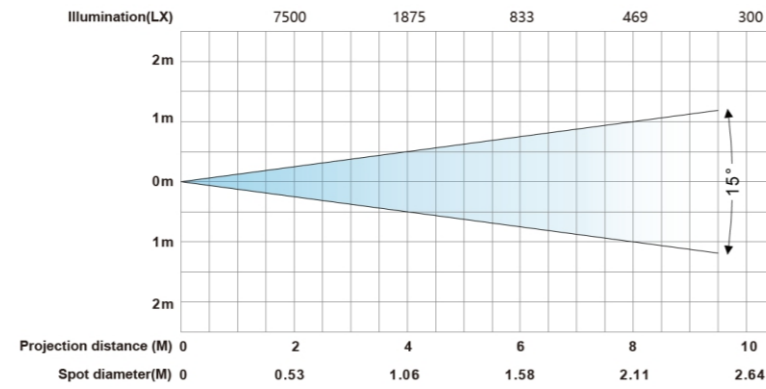


Fixture size drawing (mm)



itc LED Flood Light

TL-LT603B



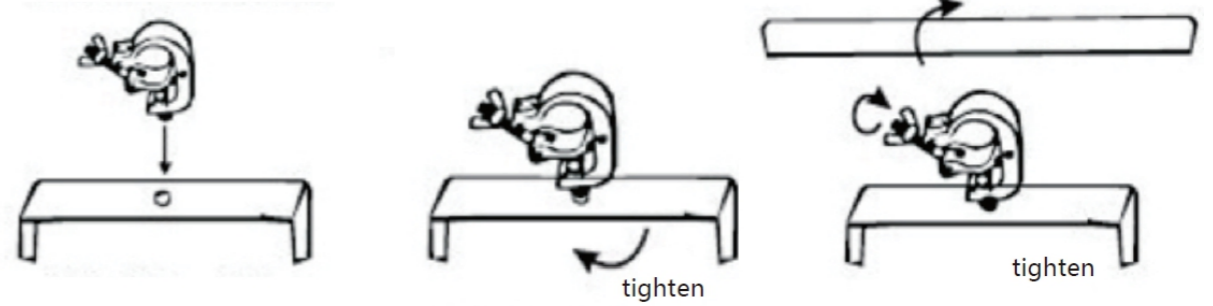
Features

1. Strobe: Independent electronic strobe 1-25Hz.
2. Color mixing: RGBW (red green blue white) linear color mixing, 16.7 million colors (0-100% saturation adjustable), built-in macro function.
3. Electronic dimming: 0-100% independent electronic linear dimming, real and flickerless camera video, master-slave automatic synchronization function, normal control of the control console for automatic synchronization.
4. LCD display menu: Call various scenarios, and built-in programs can be directly called and executed.
5. Lamp connection: Three core signal line IN/OUT power line IN/OUT.
6. Features: Cast aluminum shell, high light efficiency, uniform light mixing, stable performance, equipped with one in one out handle, 1 meter long power and signal cable.
7. Over temperature protection function: Equipped with NTC temperature control function, it intelligently reduces the output power of the LED when it overheats.

Specification

Input voltage	AC 110-240V 50/60Hz, 120W
Light source	54 × 3W LED (R14G14B14W12)
Average lifespan	50000H
Color temperature	3200K-7200 K linear adjustment
Lens angle	25 ° (15 °, 45 ° optional)
Control mode	DMX512, built-in program self running, master-slave online mode, supporting RDM protocol and program online update function
Channel	4/8 channels
Lamp material	cast aluminum shell
Protection level	fire-proof V-1, protection Ip65
Lamp size (L × W × H)	320 × 230 × 290mm
Packaging size (L × W × H)	295 × 295 × 330mm
Gross weight	6.75kg
Net weight	5.95kg
Working environment temperature	-20°C~45°C

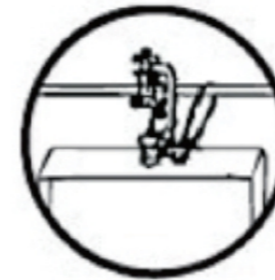
Fixture Installation



Install the hook to the handle of the led par light

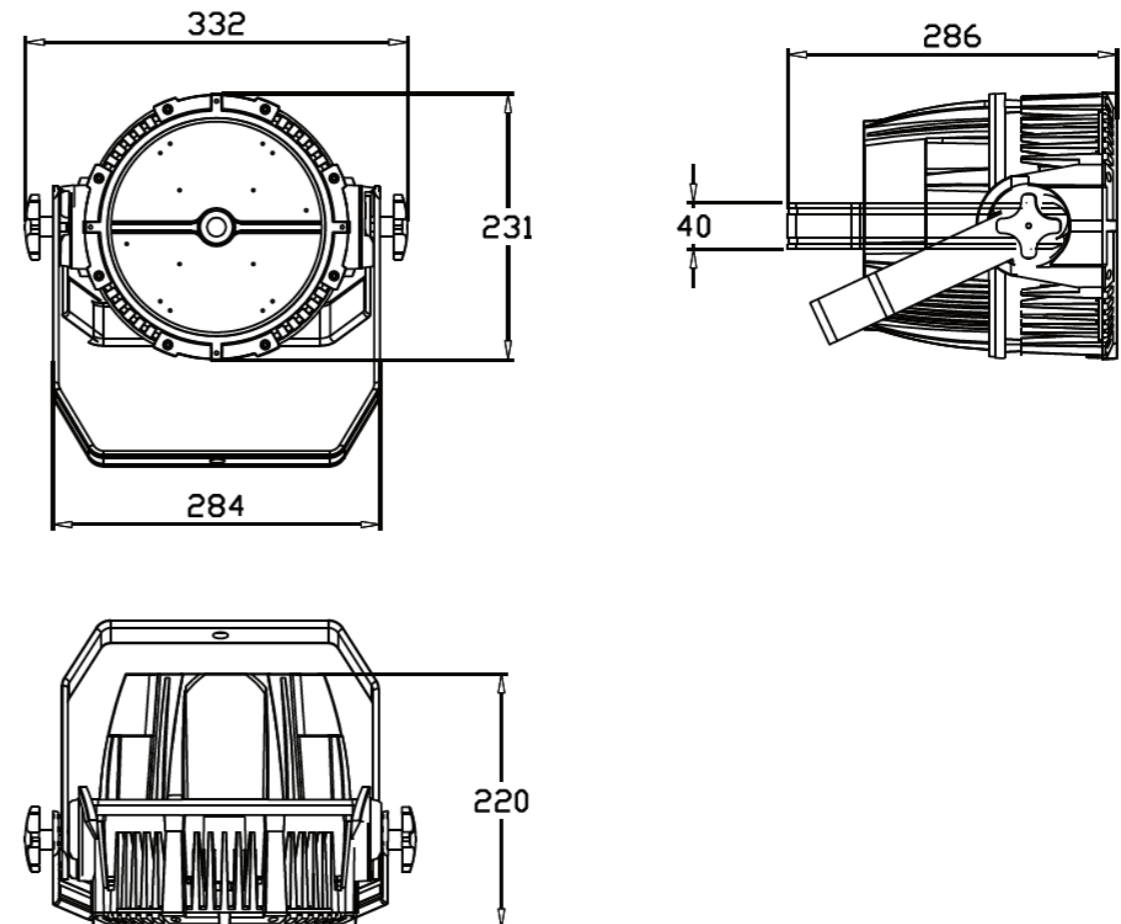
Tighten the screws between the light hook and the handle

Hang the hook on the light rack and fasten the screws



Safety ropes make the installation safer

Fixture size drawing (mm)





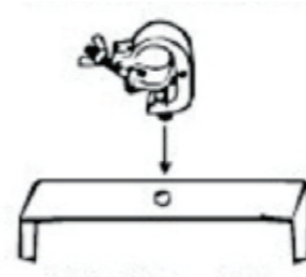
Features

- * Strobe: independent electronic strobe 1-25Hz.
- * Color mixing: RGBW (red, green, blue and white) linear color mixing, 16.7 million colors (0-100% saturation adjustment), and built-in macro function.
- * Electronic dimming: 0-100% independent electronic linear dimming, lifelike and flicker-free camera video, the master-slave self-propelled automatic synchronization function, and the console normally controls the self-propelled permanent synchronization.
- * LCD menu: invoke various scenes, built-in programs can be directly invoked and executed.
- * Fixture connection: 3-core signal line IN/OUT and power line IN/OUT.
- * Cast aluminum housing, high luminous efficiency, uniform light mixing, and stable performance; equipped with a 1.3m hand-in-hand power line and signal line of 1 in and 1 out.
- * Over-temperature protection function: built-in NTC temperature control function. When the LED is overheated, the output power will be intelligently reduced.

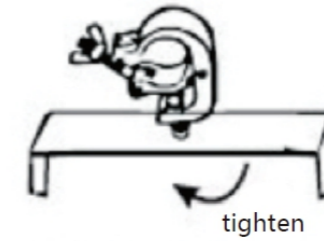
Specification

Input voltage	AC 110-240V 50/60Hz, 120W
Light source	18×10W LED(4IN1)
Average lifespan	50000H
Color temperature	3200K-7200K linear adjustment
Lens angle	25°(15°, 45°optional)
Control mode	DMX512, built-in program self-propelled, master-slave online mode, support RDM protocol and program online update function
Channel	4/8 channels
Lamp material	Cast aluminum housing
Protection level	Fireproof V-1, protection Ip65
Lamp size (L × W × H)	320×230×290mm
Packaging size (L × W × H)	295×295×330mm
Gross weight	6.6kg
Net weight	5.95kg
Working environment temperature	-20°C~45°C

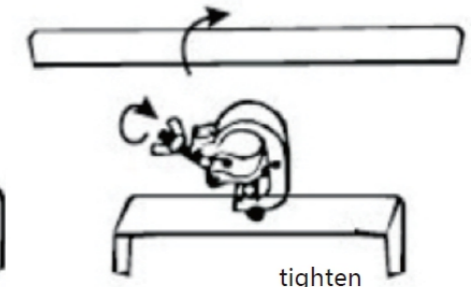
Fixture Installation



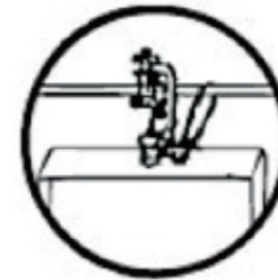
Install the hook to the handle of the led par light



Tighten the screws between the light hook and the handle



Hang the hook on the light rack and fasten the screws

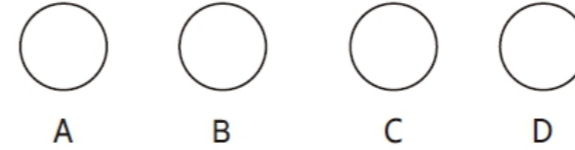


Safety ropes make the installation safer



Key Description

Graphical part



- A . Function button
- B . "Add" button
- C . "Reduce" button
- D . "Confirm" button

Operation instructions: Press function key A will cycle out eight different function effects, the first two digits of the digital tube represent the current function (refer to the function table). The last two digits represent the parameters of the address code or speed at which the function is located. Press B or C to modify its parameter value. Press D to confirm.

Features

- * Strobe: independent electronic strobe 1-25Hz, support random strobe, pulse strobe, synchronous and asynchronous strobe, single color and mixed color temperature strobe.
- * Color mixing: RGBW (red, green, blue and white) linear color mixing, 16.7 million colors (0-100% saturation adjustment), and built-in macro function.
- * Electronic dimming: 0-100% independent electronic linear dimming, lifelike and flicker-free camera video, the master-slave self-propelled automatic synchronization function, and the console normally controls the self-propelled permanent synchronization.
- * LCD menu: invoke various scenes, built-in programs can be directly invoked and executed.
- * Fixture connection: three-pin signal line IN/OUT and power line IN/OUT.
- * Cast aluminum housing, high light efficiency, uniform light mixing, stable performance; equipped with 1m hand in hand power supply and signal line of 1 in and 1 out; 1024-level ultra-high grayscale dimming is softer.

Specification

Input voltage	AC 110-240V 50/60Hz, 360W
Light source	108×3W LED(R27G27B27W27)
Average lifespan	50000H
Color temperature	3200K ~ 7200K linear adjustment
Beam angle	25°(8/15/45/60°optional)
Control mode	Multiple voice control, DMX512, built-in program self-propelled, master-slave connection mode
Channel	3/7 channels
Fixture material	Cast aluminum housing
Protection class	Fireproof V-1, protection Ip65
Fixture size (L×W×H)	715×310×340mm
Net weight	18.5kg
Working temperature	-20°C ~ 45 °C



720W LED Flood Light

TL-LT612



Features

- * Strobe: independent electronic strobe 1-25Hz, support random strobe, pulse strobe, synchronous and asynchronous strobe, single color and mixed color temperature strobe.
- * Color mixing: RGBW (red, green, blue and white) linear color mixing, 16.7 million colors (0-100% saturation adjustment), and built-in macro function.
- * Electronic dimming: 0-100% independent electronic linear dimming, lifelike and flicker-free camera video, the master-slave self-propelled automatic synchronization function, and the console normally controls the self-propelled permanent synchronization.
- * LCD menu: invoke various scenes, built-in programs can be directly invoked and executed.
- * Fixture connection: three-core signal line IN/OUT and power line IN/OUT.
- * Cast aluminum housing, high light efficiency, uniform light mixing, stable performance; equipped with 1m hand in hand power line and signal line of 1 in and 1 out; 1024-level ultra-high grayscale dimming is softer.

Specification

Input voltage	AC 110-240V 50/60Hz, 720W
Light source	216×3W LED (R27°G27°B27°W27°)*2
Average lifespan	50000H
Color temperature	3200K ~ 7200K linear adjustment
Beam angle	25°(8/15/45/60° optional)
Control mode	Multiple voice control, DMX512, built-in program self-propelled, master-slave connection mode
Channel	3/7 channels
Fixture material	Cast aluminum housing
Protection class	Fireproof V-1, protection Ip65
Fixture size (L×W×H)	715×450×340mm
Net weight	30kg
Working temperature	-20°C ~ 45 °C

Safety instruction

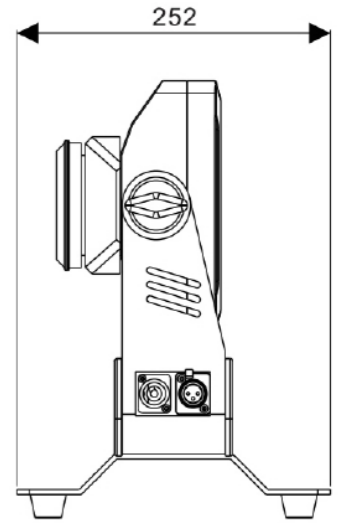
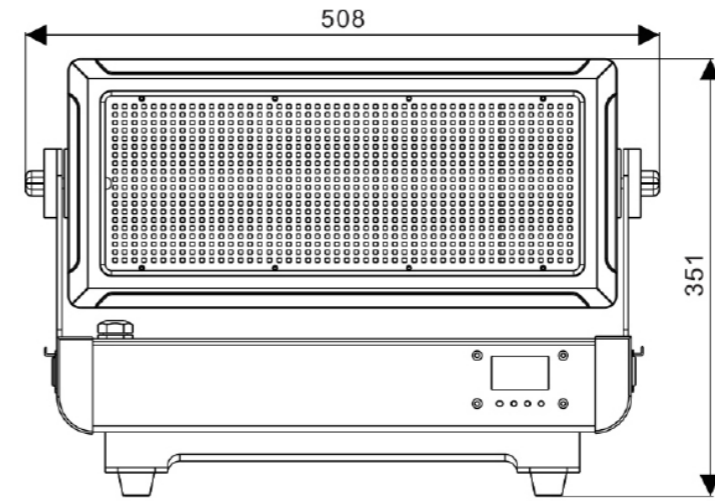
Warning: danger of serious injury or death	Warning: consult the manual before installation, power on, or repair	Warning: fatal or serious electric shock hazard	Warning: fire	Warning: hot surface is dangerous to burn, do not touch	Warning: danger of eye injury, please wear goggles	Warning: danger of hand injury, please wear gloves
Only suitable for lights directly installed on the surface of non-combustible materials	Replace all shattered protective covers	Shortest distance from the illuminated object (m)	Rated maximum ambient temperature	Indoor use only	Do not point the lens towards the sun or strong light	Operation is not allowed during running



200W LED Flood Light

TL-LT613

Fixture size drawing (mm)



Features

* Effect: 12-band colorful strobe effect and uniform RGB stepless color mixing system, support dyeing and producing the rainbow effect.

Specification

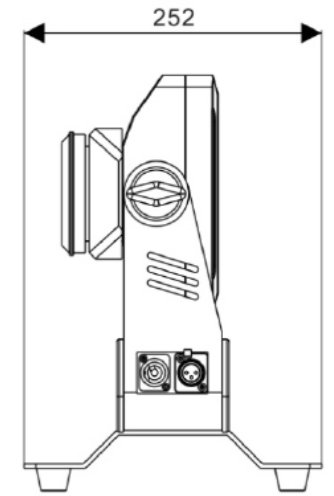
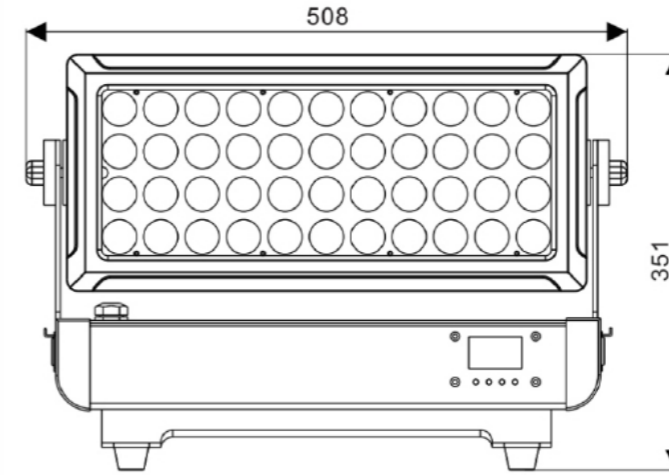
Input voltage	AC 110-240V 50/60Hz, 200W
Light source	960pcs 0.2W RGB 3 in 1 LED
Average lifespan	50000H
Control mode	DMX 512/master-slave/self-propelled
Channel	3/8/41CH
Protection class	Ip65
Package size (L×W×H)	508×252×351mm
Net weight	11.5kg
Working temperature	-20°C~45°C



200W LED Flood Light

TL-LT614

Fixture size drawing (mm)



Features

- * Strobe: independent electronic strobe 1-25Hz.
- * Electronic dimming: 0-100% independent electronic linear dimming.
- * Color mixing: RGBW (red, green, blue and white) linear color mixing.

Specification

Input voltage	AC 110-240V 50/60Hz, 250W
Light source	44*15W RGBW 4 in 1 LED
Average lifespan	50000H
Control mode	DMX 512/Master-slave/Self-propelled/RDM
Beam angle	25°
Channel	4/8CH
Protection class	Ip65
Package size (L×W×H)	508×252×351mm
Net weight	12.5kg
Working temperature	-20°C~45°C

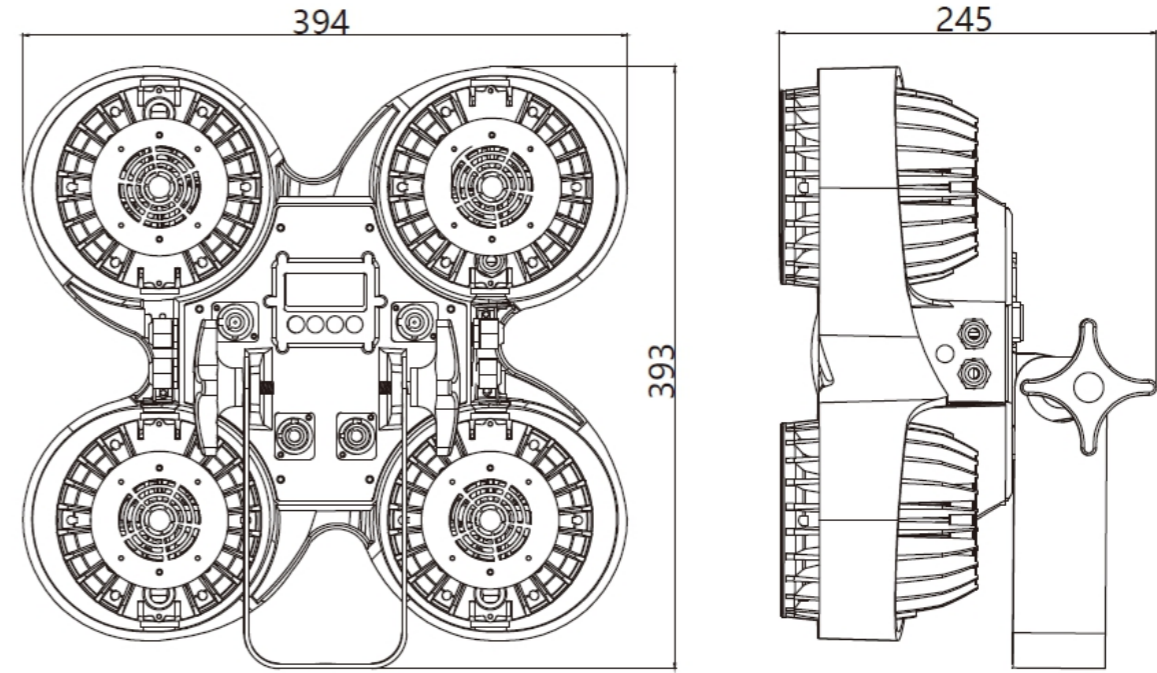


LED Flood Light

TL-LT615



Fixture size drawing (mm)

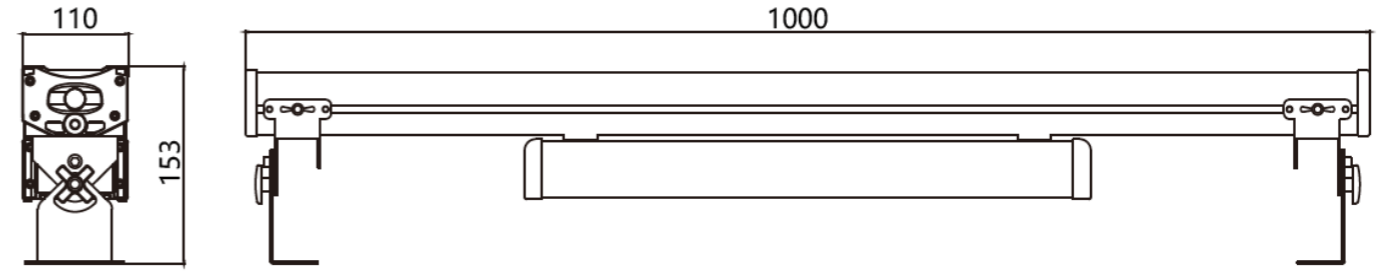


Features

- *Strobe: 0-25 times/second.
- *Dimming: Linear dimming 0-100%.
- *Optimal projection distance: 15-30m.
- *Function: Lighting, adjustable cold and warm light, running light program, burst flash, dimmable.

Specification

Input voltage	AC 110-240V 50/60Hz 330W
Light source	4pcs 100W two-in-one super bright high power LED beads (warm white/white adjustable)
Average lifespan	50000H
Color temperature	3100K · 6500K adjustable
Beam angle	40°
Spot angle	60°
Control mode	International standard DMX512, or master-slave mode, manual mode
Channel	2/4/6/8/12channels
Fixture material	High strength die-casting aluminum alloy + 4 waterproof fans to assist cooling
Protection class	Ip65
Operating temperature	-20°C~45°C
Fixture size(L×W×H)	394×393×245mm
Package size(L×W×H)	470×450×300mm
Gross weight	14.7kg
Net weight	13.0kg



Features

- *Strobe: 0-25 times/second.
- *Dimming: Linear dimming 0-100%.
- *Optimal projection distance: 15-30m.
- *Function: Lighting, adjustable cold and warm light, running light program, burst flash, dimmable.
- *Suitable scope of use: entertainment venues such as large stages, theaters, outdoor outdoor parties, bars, weddings, etc.

Specification

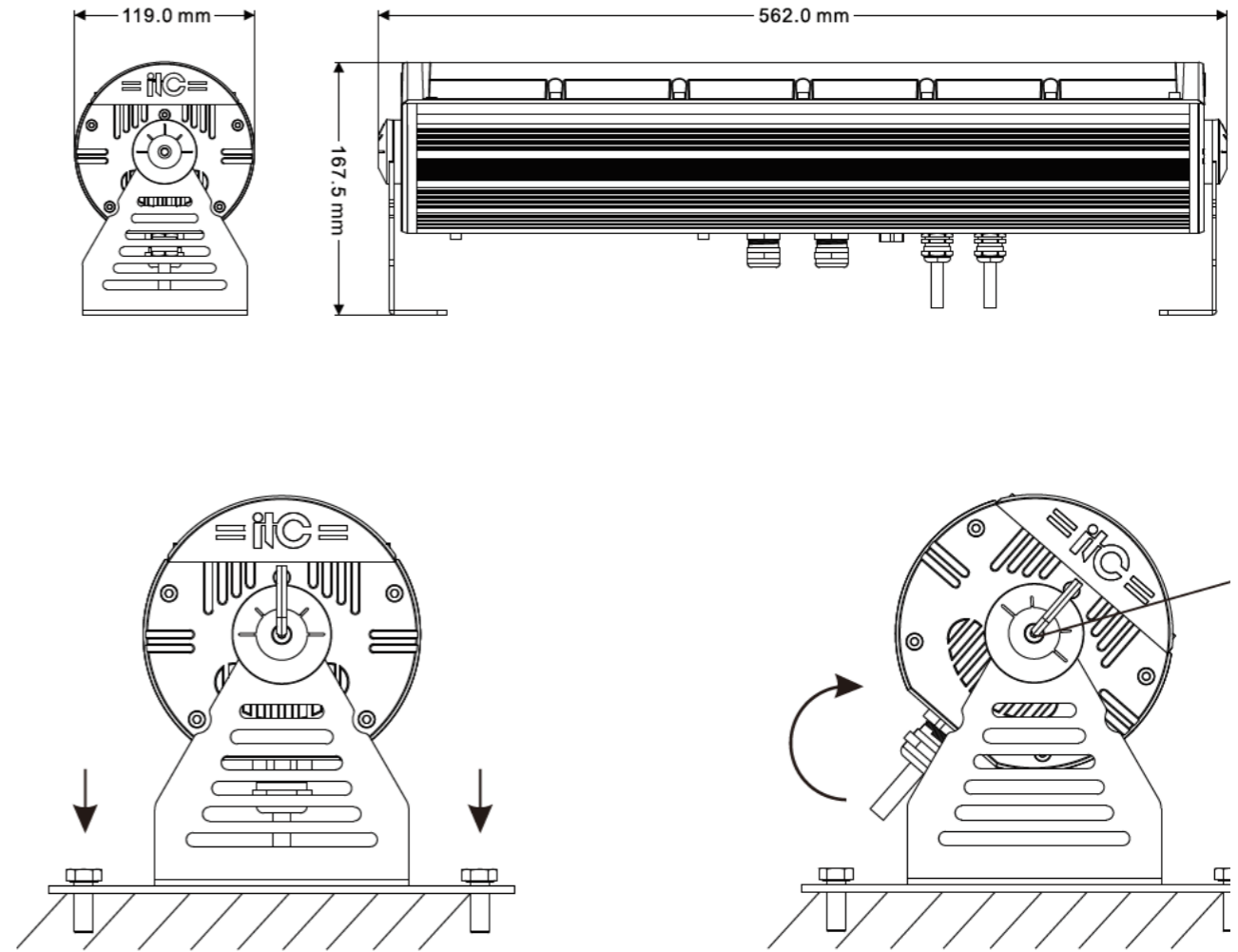
Input voltage	AC 110-240V 50/60Hz 250W
Light source	230 pcs 1W white light, 460 pcs 0.3WRGB
Average lifespan	50000H
Color temperature	3100K,6500K adjustable
Beam angle	90°
Spot angle	130°
Control mode	International standard DMX512, master-slave mode, manual mode
Channel	4/16/85/161CH
Fixture material	High strength aluminum alloy
Protection class	Ip65
Fixture size (L×W×H)	1000×110×153mm
Package size (L×W×H)	1100×370×260mm
Net weight	6.8kg
Gross weight	17.3kg
Working temperature	-20℃~45℃



LED Wall Washer

TL-LT621A

Fixture size drawing (mm)



Features

- * Color: RGBW stepless color mixing.
- * Dimming: 0-100% linear adjustment.
- * Strobe: electronic strobe, 0-25 times/sec.
- * DMX512 port program update, convenient and fast software upgrade through DMX data cable.
- * Over-temperature protection function: built-in NTC temperature control function, when the LED is overheated, the output power is intelligently reduced.
- * Starry sky effect: light and dark linear transformation of starry sky respiratory effect.

Specification

Input voltage	AC 110-240V 50/60Hz, 80W
Light source	6*15W (RGBW) 4IN1 LED + 3*1W Monochrome Laser (R1 G1 B1)
Average lifespan	50000H
Color temperature	6500K
Beam angle	20°
Control mode	The control box is required, in line with the international standard DMX512 signal control protocol, 3-pin DMX512 signal interface; master-slave synchronous control mode, support RDM protocol and program online update function
Operating mode	Built-in 3 operating modes (DMX mode, user program mode, built-in program mode)
Channel	7/13/33 channels
Fixture material	High-strength extruded aluminum + die-cast aluminum alloy end cover
Protection class	Ip65
Working temperature	-20°C~45°C
Fixture size (L×W×H)	562×119×167.5mm
Package size (L×W×H)	635×240×190mm
Gross weight	5.5kg
Net weight	4.6kg



18*10W LED Wall Washer

TL-LT622



Safety instruction

Warning: danger of serious injury or death	Warning: consult the manual before installation, power on, or repair	Warning: fatal or serious electric shock hazard	Warning: fire	Warning: hot surface is dangerous to burn, do not touch	Warning: danger of eye injury, please wear goggles	Warning: danger of hand injury, please wear gloves
Only suitable for lights directly installed on the surface of non-combustible materials	Replace all shattered protective covers	Shortest distance from the illuminated object (m)	Rated maximum ambient temperature	Indoor use only	Do not point the lens towards the sun or strong light	Operation is not allowed during running

Features

- 1.Strobe: Independent electronic strobe 1-25Hz, random strobe, pulse strobe, synchronous and asynchronous strobe, single color, mixed color temperature strobe.
- 2.Color mixing: RGBW (red, green, blue and white) linear color mixing, 16.7 million colors (adjustable 0-100% saturation), built-in macro function.
- 3.Electronic dimming: 0-100% independent electronic linear dimming, life-real and flicker-free picture, master-slave automatic synchronization function. The console normally controls self-propelled permanent synchronization.
- 4.LCD menu: invoke various scenes, the built-in program can be directly invoked and executed.
- 5.Fixture connection: three-core signal line IN/OUT power line IN/OUT.
- 6.Cast aluminum housing, high light efficiency, uniform light mixing, stable performance, with one-in-one-out hand-in-hand 1m power line and signal line, 1024-level ultra-high grayscale makes dimming softer.
- 7.Voice control sensitivity: 65-130dB.

Specification

Input voltage	AC 110-240V 50/60Hz, 200W
Light source	18*10W LED (4IN1)
Average lifespan	50000H
Color temperature	3200K ~ 7200K linear adjustment
Lens angle	25°
Control mode	voice control, DMX512, built-in program self-propelled, master-slave online mode, pixel control
Channel	9/27/81/72 channels
Fixture material	cast aluminum housing
Protection class	fire proof V-1, protection Ip65
Fixture size (L*W*H)	1060×105×165mm
Package size (L*W*H)	1100×300×220mm
Gross weight	8.5kg
Net weight	7.1kg
Working environment temperature	-20°C ~ 45 °C

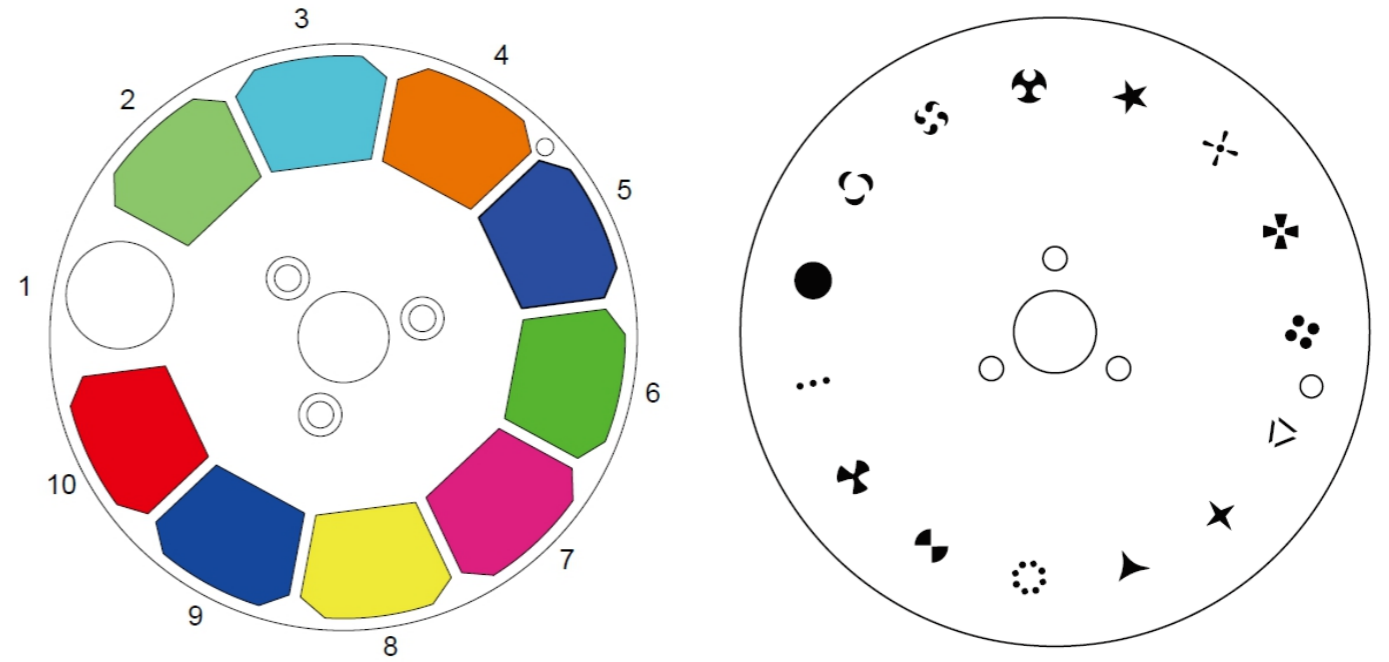


LED Flood Light

TL-LT621A



Color disc



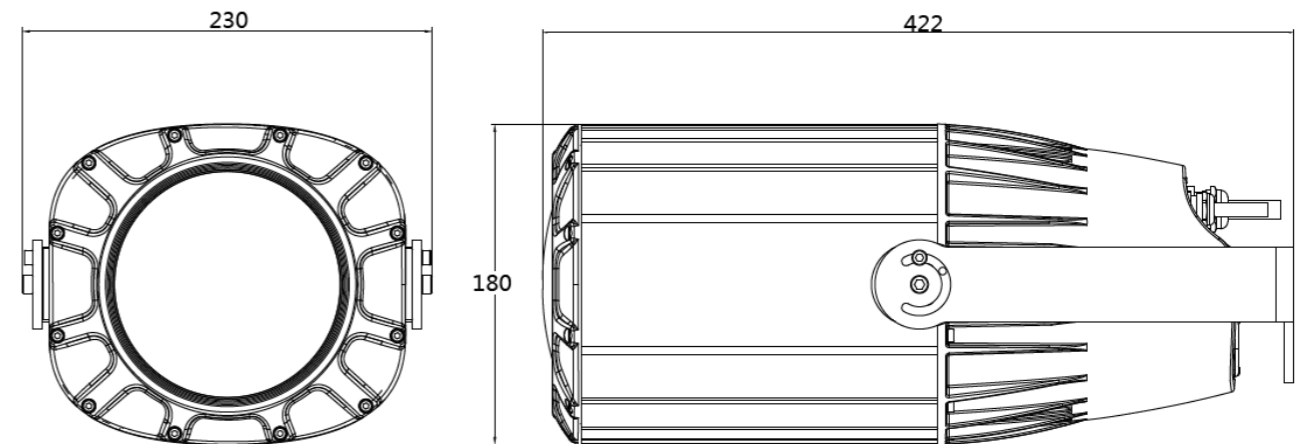
Features

- * Color: one 9+1 fixed color wheel, two-way stepless rotation, magnet positioning, color index, half color and other functions.
- * Function: one 14+1 fixed gobo wheel, independent rotation and two-way stepless rotation.
- * Focusing: electric focusing.
- * Dimming: 0-100% linear dimming.
- * Strobe: electronic strobe, 0-25 times/sec (built-in pulse strobe effect).
- * Display interface: LCD blue screen.
- * Software update: DMX512 port program update, convenient and fast software upgrade through DMX data cable.
- * Over-temperature protection function: built-in NTC temperature control function, when the LED is overheated, the output power of the LED will be intelligently reduced.
- * The screen can display the lamp usage time, software version number, reverse subtitle display, etc.

Specification

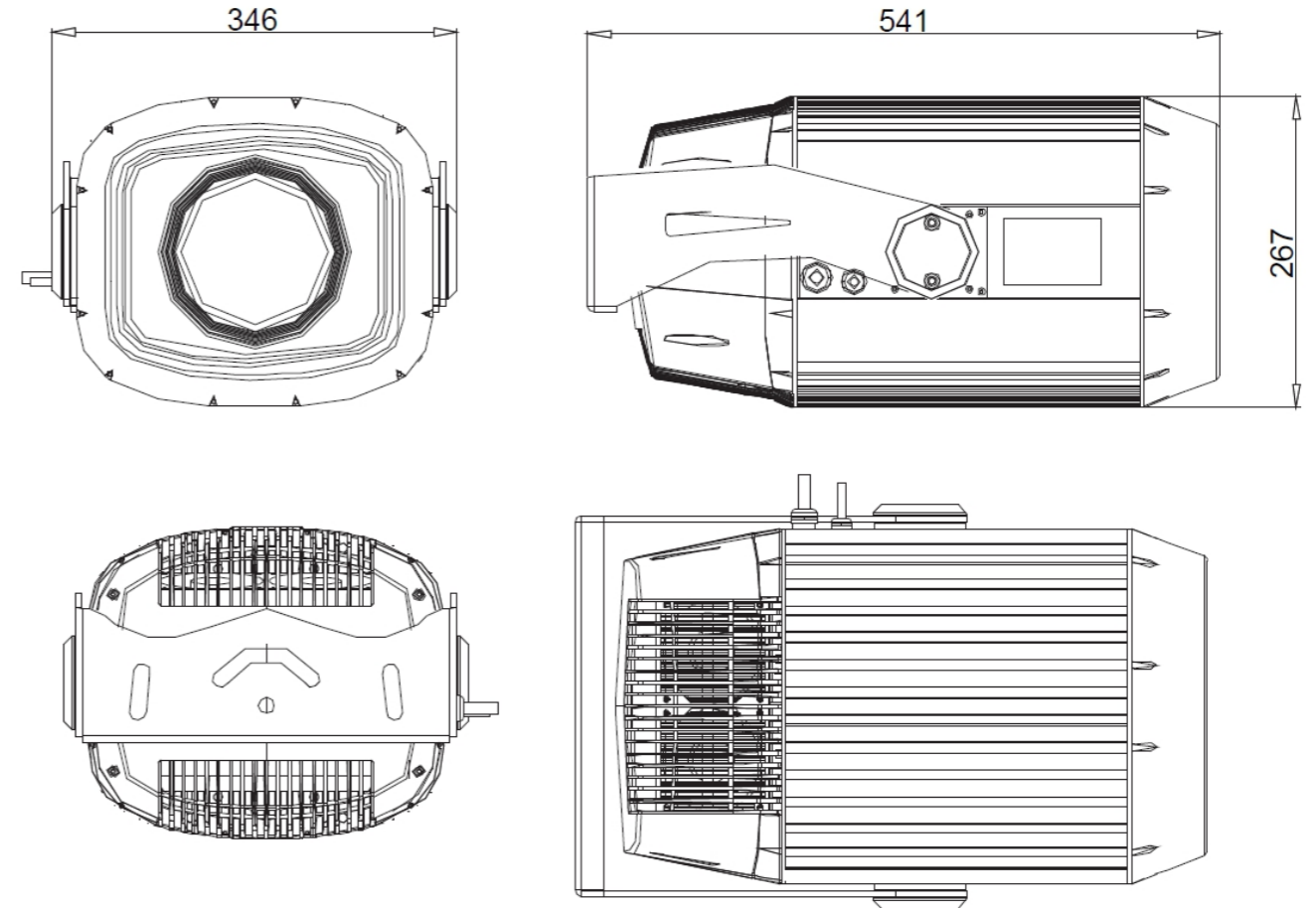
Input voltage	AC 110V-240V 50/60Hz, 110W
Light source	80W white LED Optical Module
Average lifespan	20000H
Color temperature	5200K
Beam angle	2.5°
Control mode	Comply with the international standard DMX512 signal control protocol, 3-pin (optional 5-pin) DMX512 signal interface; master-slave synchronous control mode
Operation mode	DMX mode, user program mode, built-in program mode
Channel	7 channels
Fixture material	High-strength die-casting aluminum alloy, copper tube radiator
Protection class	Ip67
Fixture size (L×W×H)	230×180×420mm
Package size (L×W×H)	275×255×500mm
Net weight	8.9kg
Gross weight	9.5kg

Fixture size drawing (mm)





Fixture size drawing (mm)



Features

- * Color wheel: 7 color gels + white light, two-way stepless rotation, magnet positioning, color index, half-color and other functions.
- * Cutting wheel: professional independent cutting module, cut graphics in eight directions, independent aperture mode, adjustable graphics size.
- * Function: a dynamic effect wheel, two-way stepless rotation.
- * Prism: optional triangular prism, rectangular prism, four-row lens, etc.
- * Atomization, 10%-100%.
- * Light spot changes, high-speed electric linear zoom.
- * Dimming: 0-100% linear adjustment.
- * DMX512 port program update, convenient and fast software update via DMX data cable.
- * Over-temperature protection function: built-in NTC temperature control function, when the LED is overheated, the output power of the LED is intelligently reduced.
- * LCD blue screen can display the fixture usage time, software version number, etc.

Specification

Input voltage	AC 110-240V 50/60Hz, 800W
Light source	1 650W white light LED OSRAM chip
Average lifespan	50000H
Color temperature	7500K
Beam angle	5°-50° linear zoom
Control mode	Comply with the international standard DMX512 signal control protocol, 3-core (optional 5-core) DMX512 signal interface; master-slave synchronous control mode, support RDM protocol and program online update function
Operation mode	DMX mode, user program mode, built-in program mode
Channel	16 channels
Fixture material	High temperature resistant aluminum alloy + high temperature resistant / UV resistant engineering plastic + copper tube radiator + 1 waterproof fan to assist heat dissipation
Protection class	Ip67
Working temperature	-20℃~45℃
Fixture size	541*346*267mm
Package size	405*355*690mm
Gross weight	28.1KG
Net weight	26KG

LED Studio Light





220W Settudio spotlight(full color)

TL-BS201



Features

1. Color temperature: 2700-10000K adjustable, adjustable by console and manual knob. When adjusting the color temperature with the knob, the corresponding color temperature value will be displayed on the display. Each 100K color temperature gear, the brightness error during the color temperature adjustment process from 2700K to 10000K does not exceed 10%, the average color temperature error at large and small angles does not exceed 3%, the average color temperature error at the center and edge of the spot does not exceed 3%
2. Color temperature and color mixing consistency of multiple products: LED full-color spotlights have greater misunderstandings about the color temperature and color mixing consistency of multiple products than LED full-color panel lights. Because the spotlight will pass through multiple optical components during the light emitting process, the light source and optical parts have certain errors, so the LED full-color spotlight will have a larger error than the LED full-color flat panel light.
3. CRI: average ≥ 94
4. TLCI: average ≥ 93
5. DUV: It can be adjusted positively or negatively. The average range can be adjusted from +0.018 to - 0.02. It can be adjusted by the console and manual knob. When the knob adjusts DUV, the positive and negative range will be displayed on the display.
6. Color: Support 360° hue adjustment, and can also be mixed into various colors through 4 monochrome adjustments of red, green, blue, and warm white.
7. Product output luminous flux: 2700K/7100 lm, 3200K/7200lm, 5600K/7000 lm, single red /750 lm, single green /1860 lm, Single blue /520 lm
8. Light angle: 16-60° adjustable
9. Optical system: The outside uses ϕ 162 Fresnel lens, and the inside uses self-developed super uniform color mixing optical components
10. Control mode: DMX signal control or manual button and knob operation, with knob dimming, color temperature adjustment, DUV adjustment, and focus adjustment functions
11. Dimming: more than 16 bits, smooth linear dimming output without jitter, no delay in dimming, dimming refresh frequency above 20K(20000Hz)
12. Color temperature adjustment: The color temperature adjustment process is smooth and linear without jitter. The color temperature can also be adjusted at 0.5% brightness.
13. Focusing method: electronic focusing or manual knob focusing. The external lens is telescopic for focusing. It can also be customized to keep the external lens stationary and the inner optical component to telescopic for focusing.
14. Motor reset: The motor will not reset automatically every time the product is powered on. If the product is powered on after the last set focusing position, the product will directly maintain the original focusing position and the motor will not reset again.
15. Noise protection: without fan cooling;

Specification

Input voltage	AC 110-240V 50/60Hz
Rated power	220W
Light source	The whole lamp uses a module light source composed of 24 5050 RGBW LED light sources. The power of a single 5050 RGBW LED light source: red 3W, green 5W, blue 5W, warm white 10W
Average life	50000 H
Total luminous flux output	7200 Lm
Spot angle	16-60°
CRI	ra: ≥ 94 , r9: ≥ 90
Color temperature	2700-10000K linear adjustment
Control mode	DMX512, built-in program self-propelled, master-slave online mode, supports RDM protocol.
Channel	5/11 channel
Protection level	Ip20
Fixture structure	aluminum alloy
Fixture size (L×W×H)	55X28.5X28.5CM
Packing size (L×W×H)	62X34X40CM
Gross weight	13kg
Net weight	11.2kg

Safety instruction

Warning: danger of serious injury or death	Warning: consult the manual before installation, power on, or repair	Warning: fatal or serious electric shock hazard	Warning: fire	Warning: hot surface is dangerous to burn, do not touch	Warning: danger of eye injury, please wear goggles	Warning: danger of hand injury, please wear gloves
Only suitable for lights directly installed on the surface of non-combustible materials	Replace all shattered protective covers	Shortest distance from the illuminated object (m)	Rated maximum ambient temperature	Indoor use only	Do not point the lens towards the sun or strong light	Operation is not allowed during running



220W Zoom Ellipsoidal spotlight (full color)

TL-BS301



Features

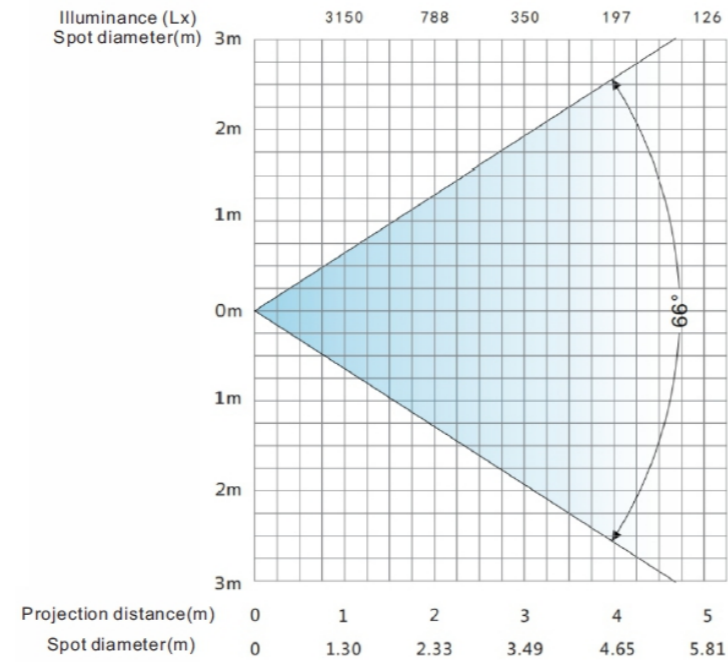
1. Color temperature: 2700-10000K adjustable, adjustable by console and manual knob. When adjusting the color temperature with the knob, the corresponding color temperature value will be displayed on the display. Each 100K color temperature gear, the brightness error during the color temperature adjustment process from 2700K to 10000K does not exceed 10%, the average color temperature error at large and small angles does not exceed 3%, the average color temperature error at the center and edge of the spot does not exceed 3%
2. Color temperature and color mixing consistency of multiple products: LED full-color spotlights have greater misunderstandings about the color temperature and color mixing consistency of multiple products than LED full-color panel lights. Because the spotlight will pass through multiple optical components during the light emitting process, the light source and optical parts have certain errors, so the LED full-color spotlight will have a larger error than the LED full-color flat panel light.
3. CRI: average ≥ 94
4. TLCI: average ≥ 93
5. DUV: It can be adjusted positively or negatively. The average range can be adjusted from +0.018 to - 0.02. It can be adjusted by the console and manual knob. When the knob adjusts DUV, the positive and negative range will be displayed on the display.
6. Color: Support 360° hue adjustment, and can also be mixed into various colors through 4 monochrome adjustments of red, green, blue, and warm white.
7. Product output luminous flux: 2700K/7100 lm, 3200K/7200lm, 5600K/7000 lm, single red /750 lm, single green /1860 lm, Single blue /520 lm
8. Light angle: 16-60° adjustable
9. Optical system: The outside uses ϕ 162 Fresnel lens, and the inside uses self-developed super uniform color mixing optical components
10. Control mode: DMX signal control or manual button and knob operation, with knob dimming, color temperature adjustment, DUV adjustment, and focus adjustment functions
11. Dimming: more than 16 bits, smooth linear dimming output without jitter, no delay in dimming, dimming refresh frequency above 20K(20000Hz)
12. Color temperature adjustment: The color temperature adjustment process is smooth and linear without jitter. The color temperature can also be adjusted at 0.5% brightness.
13. Focusing method: electronic focusing or manual knob focusing. The external lens is telescopic for focusing. It can also be customized to keep the external lens stationary and the inner optical component to telescopic for focusing.
14. Motor reset: The motor will not reset automatically every time the product is powered on. If the product is powered on after the last set focusing position, the product will directly maintain the original focusing position and the motor will not reset again.
15. Noise protection: without fan cooling;

Specification

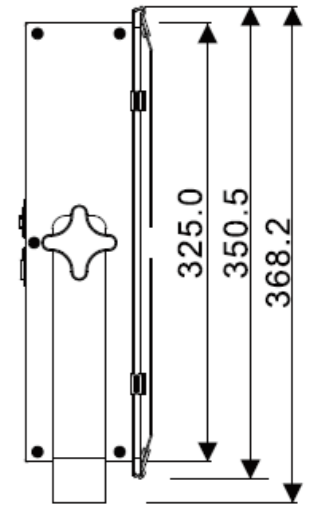
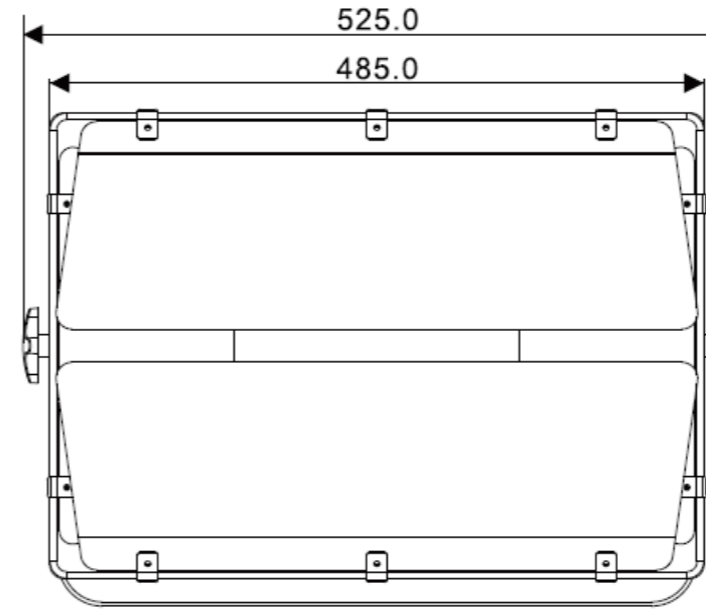
Input voltage	AC 110-240V 50/60Hz
Rated power	220W
Light source	The whole lamp uses a module light source composed of 24 5050 RGBW LED light sources. The power of a single 5050 RGBW LED light source: red 3W, green 5W, blue 5W, warm white 10W
Average life	50000 H
Total luminous flux output	7200 Lm
Spot angle	16-60°
CRI	ra: ≥ 94 , r9: ≥ 90
Color temperature	2700-10000K linear adjustment
Control mode	DMX512, built-in program self-propelled, master-slave online mode, supports RDM protocol.
Channel	5/11 channel
Protection level	Ip20
Fixture structure	aluminum alloy
Fixture size (L×W×H)	55X28.5X28.5CM
Packing size (L×W×H)	62X34X40CM
Gross weight	13kg
Net weight	11.2kg

Safety instruction

Warning: danger of serious injury or death	Warning: consult the manual before installation, power on, or repair	Warning: fatal or serious electric shock hazard	Warning: fire	Warning: hot surface is dangerous to burn, do not touch	Warning: danger of eye injury, please wear goggles	Warning: danger of hand injury, please wear gloves
Only suitable for lights directly installed on the surface of non-combustible materials	Replace all shattered protective covers	Shortest distance from the illuminated object (m)	Rated maximum ambient temperature	Indoor use only	Do not point the lens towards the sun or strong light	Operation is not allowed during running



Dimension



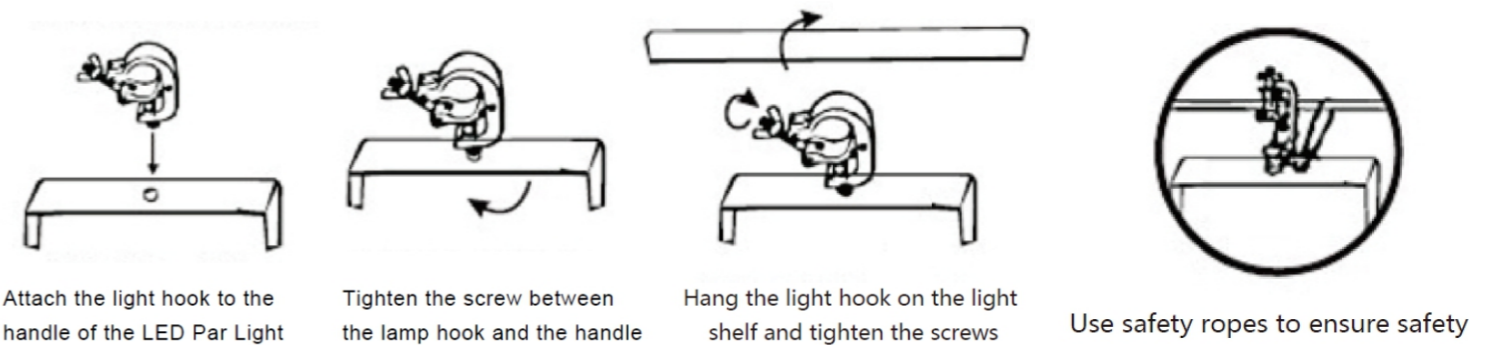
Features

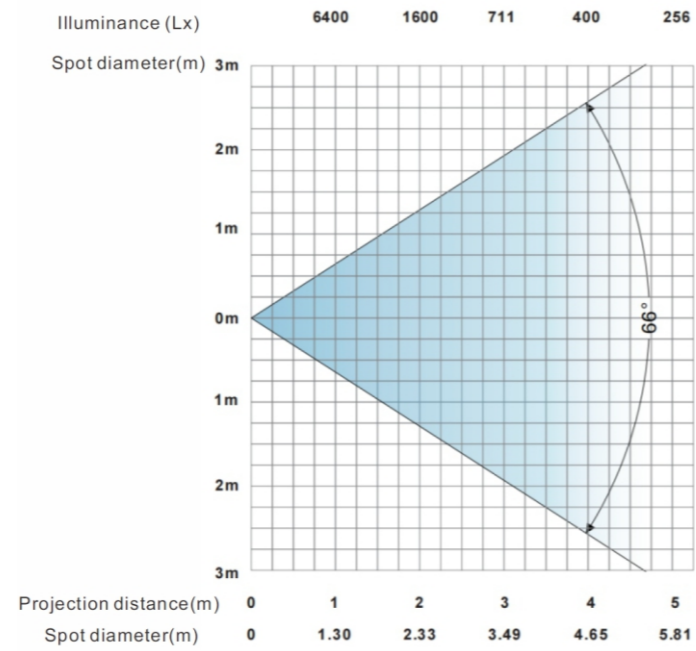
1. Color: warm white and cold white, adjustable color temperature.
2. Dimming: 0~100% smooth linear dimming without dithering.
3. Overheat protection: built-in NTC temperature control function. When the LED is overheated, the output power will be intelligently reduced.

Specification

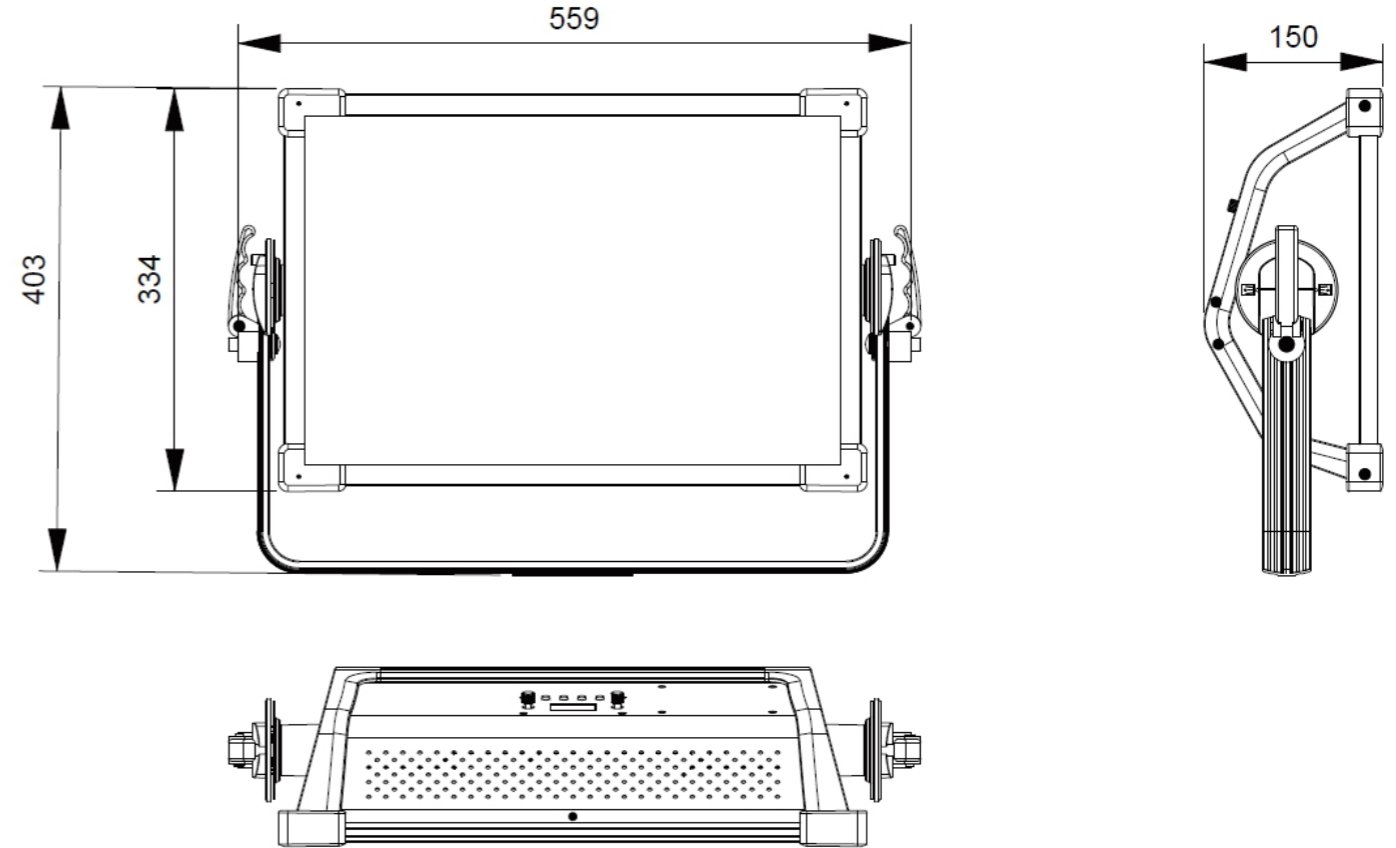
Model	TL-SL301
Input voltage	AC 110-240V 50/60Hz, 120W
Light source	300 warm white and 330 cold white 0.2W 2835 LED
Average lifespan	30000H
Color temperature	3000-6500K, CRI≥97, TLCI≥95
Channel	2/5CH
Control mode	DMX signal control or manual button control, support RDM protocol and program online update function
Protection class	Ip20
Fixture size (L×W×H)	525×368×94mm
Package size (L×W×H)	575×165×440mm
Gross weight	11.8kg
Net weight	9.8kg

Installation





Product size



Features

1. Color: warm white + cold white can be mixed.
2. Dimming: 0-100% smooth linear dimming without jitter above 16 bits.
3. Over temperature protection function: built in NTC temperature control and measurement function. When the LED is overheated, it can intelligently reduce the output power of the LED.

Specification

Input voltage	AC 110-240V, 50 / 60Hz, 300W
Light source	630 2835 / 0.5W led warm white + cold white light sources are used
Average service life	100000h
Color temperature	3200-6500k adjustable, CRI ≥ 95, TLCI ≥ 95
Channel	2 / 6 / 7 channels
Control mode	DMX signal control or manual key control can adjust the color temperature manually, and support RDM protocol and program online update function
Protection grade	Ip20
Lamp size (L) × W × H	559 × 354 × 155mm
Package size (L) × W × H	640 × 390 × 215mm
Gross weight	12kg
Net weight	10.2kg

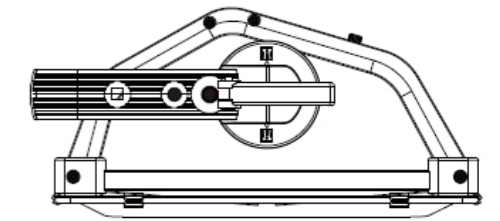
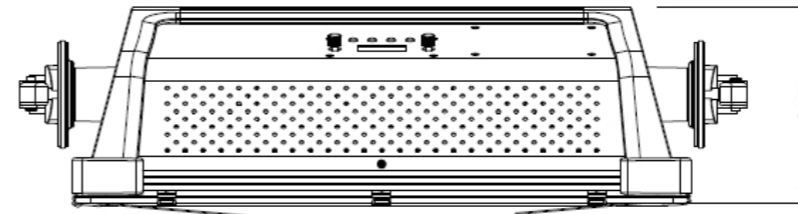
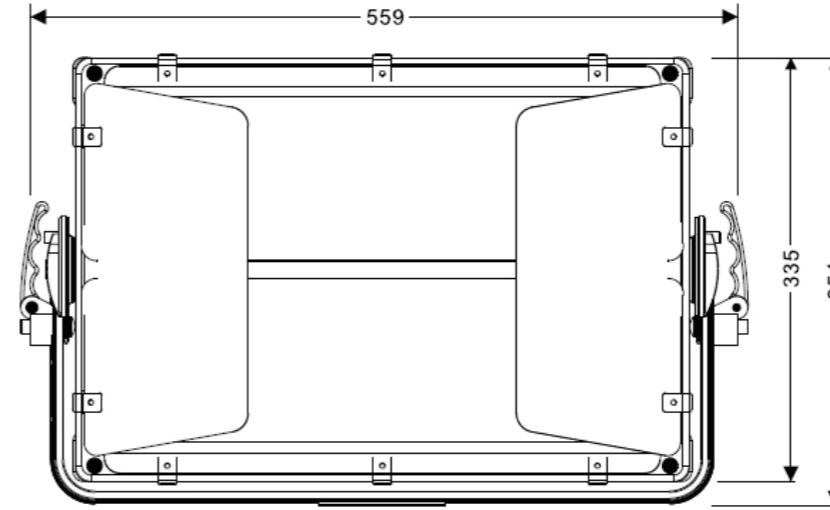


LED Studio Light

TL-SL303



Product size

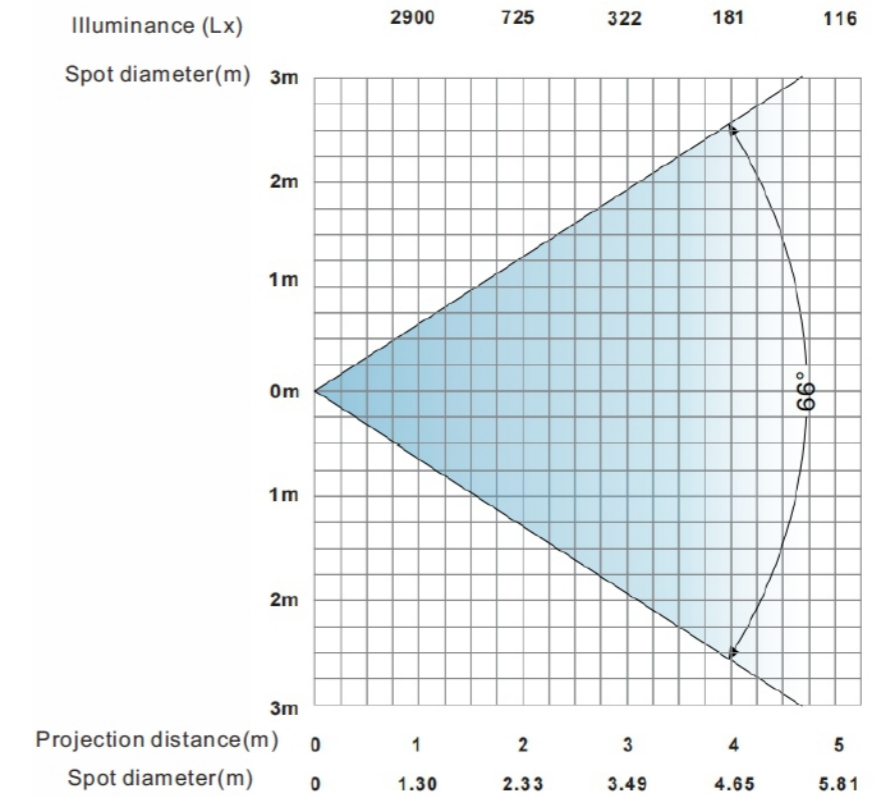


Features

- * Color: red, green, blue and white, which can be mixed into various colors.
- * Dimming : 0~100% smooth linear dimming without dithering above 16 bits.
- * Overheat protection: built-in NTC temperature control function. When the LED is overheated, the output power will be intelligently reduced.

Specification

Model	TL-SL303
Input voltage	AC 110-240V 50/60Hz, 200W
Light source	522 5050/0.4W four-in-one LED
Average lifespan	100000H
Color temperature	2700-6500K, CRI≥80, TLCI≥80
Channel	4/8/9 channels
Control mode	DMX signal control or manual button control; support individual color temperature manual adjustment
Fixture material	Aluminum alloy
Protection class	Ip20
Fixture size (L×W×H)	559×354×155mm
Package size (L×W×H)	640×395×210mm
Gross weight	12kg
Net weight	10.2kg



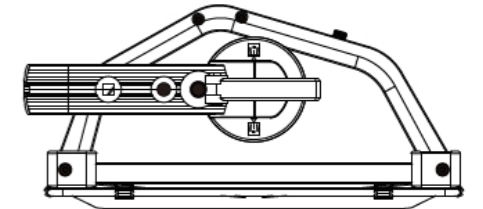
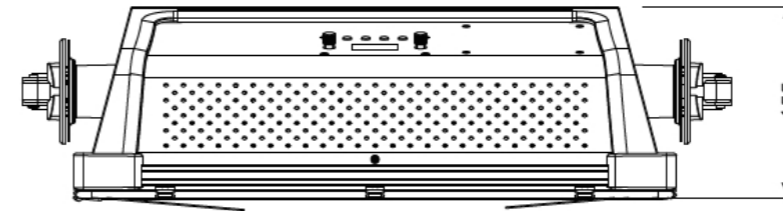
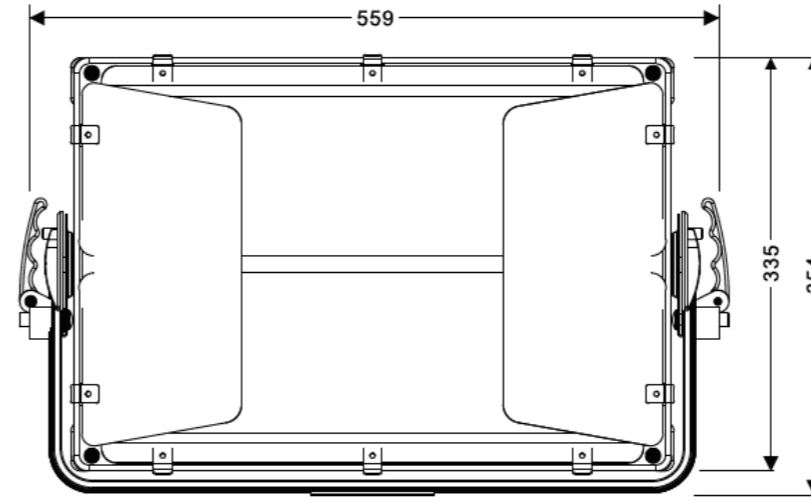


LED Studio Light

TL-SL303A



Product size



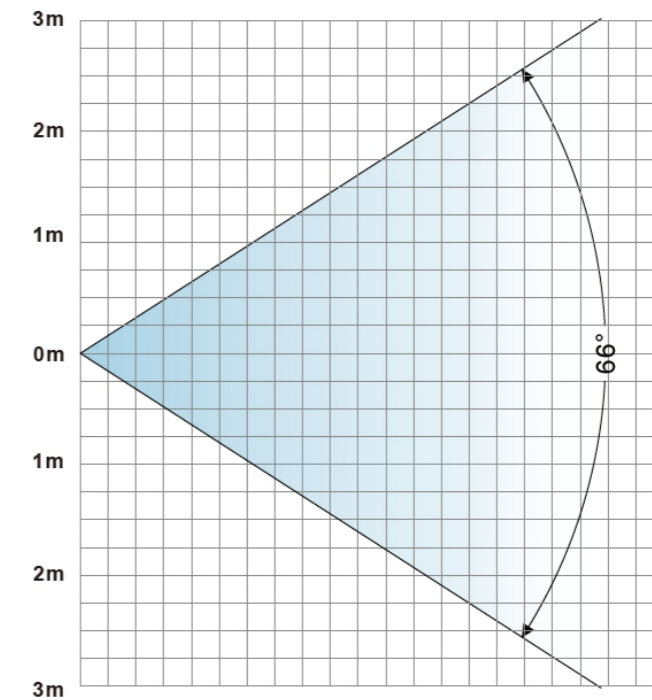
Features

- *Color mixing system: With color correction function, it can maintain the color consistency of lamps.
- *Color: Red, green, blue, and white, which can be mixed into various colors via control and adjustment.
- *Dimming: 0-100% jitter-free smooth linear dimming above 16bits.

Specification

Model	TL-SL303A
Input voltage	AC 110-240V 50/60Hz, 200W
Light source	Using 522pcs 5050/0.4W 4IN1 LED light sources
Average lifespan	100000H
Color temperature	2700-10000K, CRI≥90, TLCI≥90
Channel	5/7/11 channels
Control mode	DMX signal control or manual button control; individual color temp can be manually adjusted; support RDM protocol and program online update function
Protection class	Ip20
Fixture size (L×W×H)	559×354×155mm
Package size (L×W×H)	640×395×210mm
Gross weight	12kg
Net weight	10.2kg

illumination(LX) 2900 725 322 181 116



Projection distance(M)	0	1	2	3	4	5
beam diameter(M)	0	1.30	2.33	3.49	4.65	5.81

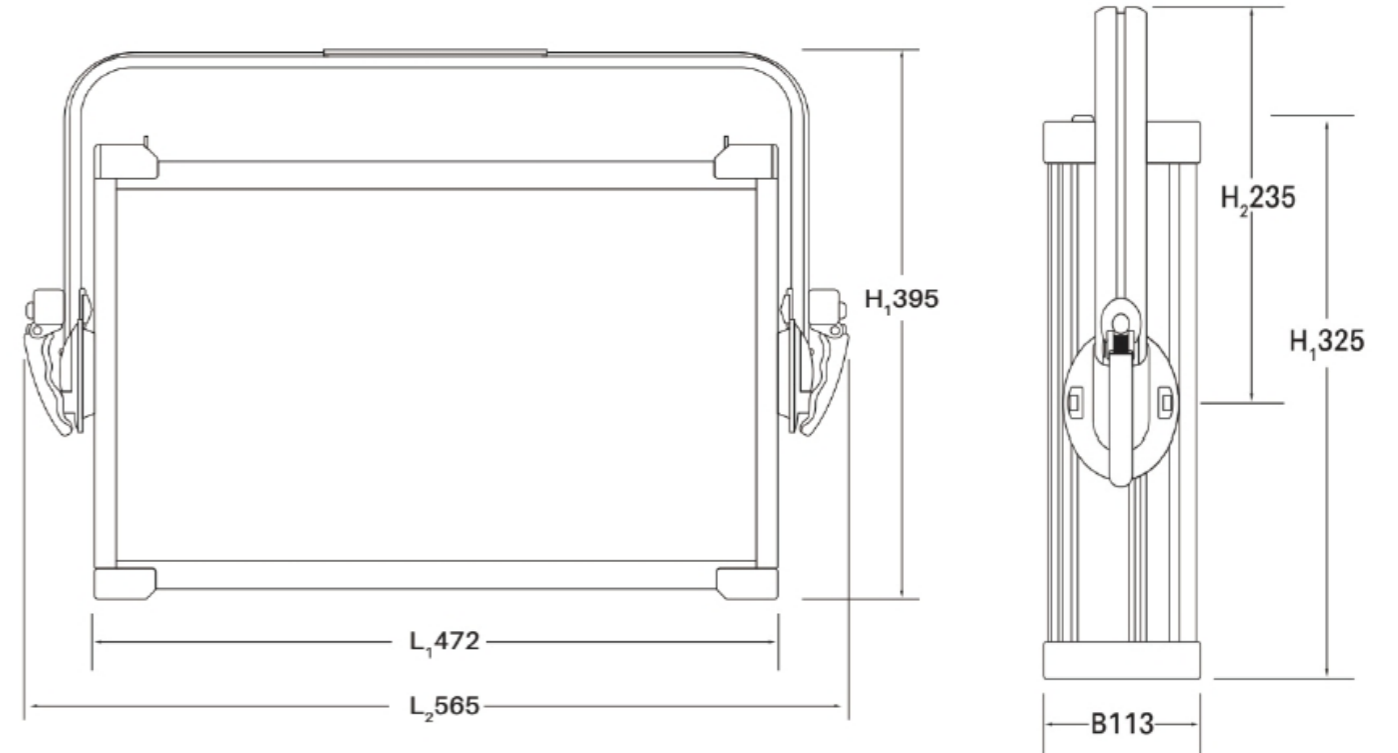


LED Studio Light

TL-SL304



Fixture size drawing (mm)



Features

- *Color: red, green, blue and warm white, which can be mixed into various colors.
- *Dimming: 0~100% smooth linear dimming without dithering above 16 bits.

Specification

Model	TL-SL304
Input voltage	AC 110-240V 50/60Hz, 320W
Light source	OSRAM 0.5WLED, 240 red, 240 green, 240 blue, and 480 warm white LED
Light lifespan	100000H
Color temperature	2700-10000K, CRI≥93, TLCI≥93
Channel	2/5/7 channels
Control mode	DMX signal control or manual button control
Fixture material	Aluminum alloy
Protection class	Ip20
Fixture size (L×W×H)	590×350×160mm
Package size (L×W×H)	645×405×220mm
Gross weight	14kg
Net weight	12.3kg



LED Studio Light

TL-SL305



Safety instruction

Warning: danger of serious injury or death	Warning: consult the manual before installation, power on, or repair	Warning: fatal or serious electric shock hazard	Warning: fire	Warning: hot surface is dangerous to burn, do not touch	Warning: danger of eye injury, please wear goggles	Warning: danger of hand injury, please wear gloves
Only suitable for lights directly installed on the surface of non-combustible materials	Replace all shattered protective covers	Shortest distance from the illuminated object (m)	Rated maximum ambient temperature	Indoor use only	Do not point the lens towards the sun or strong light	Operation is not allowed during running

Features

- *Color mixing: RGBW stepless color mixing, 16.7 million colors, adjustable speed.
- *Electronic dimming: 0-100% linear adjustment, 16Bit dimming.
- *Electronic strobe: 0.5-25 times/sec, with synchronous, asynchronous, random strobe mode, adjustable speed.
- *Data transmission: RDM two-way data transmission.
- *Refresh rate: 4K refresh rate, no flickering or ripples when taking photos and videos in weak light.
- *Display mode: Digital display.
- *Software upgrade: Support software version upgrade via DMX.
- *Heat dissipation method: Support heat conduction through high-quality metal materials, plus a silent fan.
- *Overheating protection: Using thermal probe to monitor the lamp bead temperature in real time.

Specification

Input voltage	AC100V-240V, 50/60Hz, 350W
Light source	LED480*1W 3000-6000K&LED27*10W RGBW
Average lifespan	100000H
Color rendering index	Ra≥90
Color temperature	3000K-6000K
Beam angle	120°&25° (120°&45° optional)
Control mode	DMX512 control, master-slave mode, stand-alone mode
Channel mode	12CH (Custom)
Protection class	Ip20
Exterior color	Black metal (White optional)
Ambient temperature	45°C; the max surface temperature<80
Noise level	45-55dB(Ultra quiet mode optional)
Fixture size (L×W×H)	530×310×110mm
Package size (L×W×H)	550×350×130mm
Net weight	12kg
Gross weight	13kg



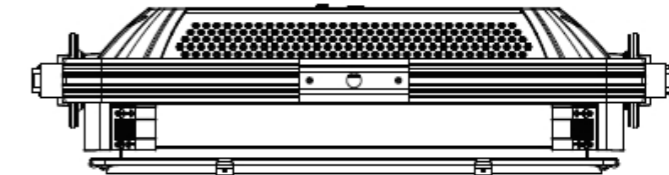
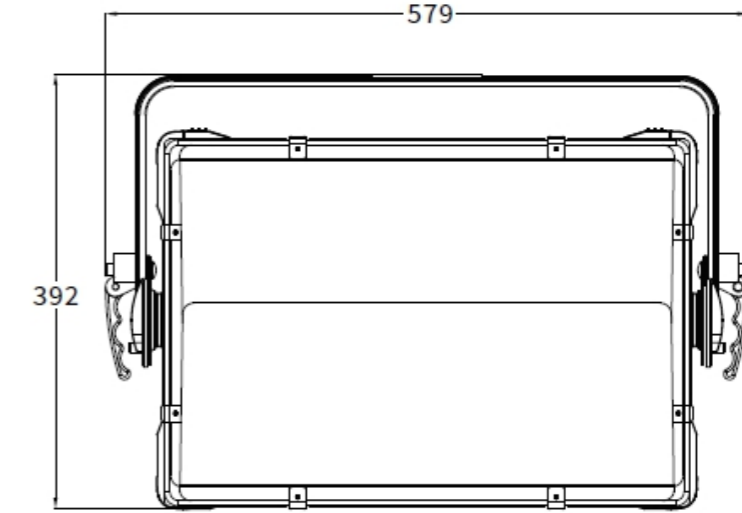
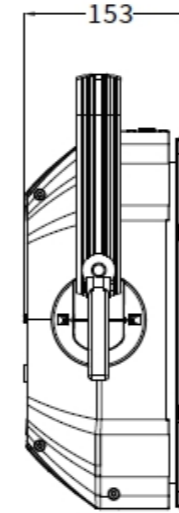
Features

- *Electronic strobe: 1-25Hz.
- *Preset effects: Equipped with four preset effects (jump, gradient, breathing, cycle) to meet different needs.
- *Operation mode: Equipped with three operation modes (regular mode, low speed mode, silent mode) to adapt to different usage scenarios.
- *Software update: Support DMX signal update and cloud server remote online update. Software update is fast and convenient.
- *Color macro: Call any color through the palette, providing rich color choices and providing more possibilities for creativity.
- *Dimming curve: Support 4 types of dimming curves (square curve, inverse curve, straight line and S curve) to meet the needs of different occasions.
- *Temperature protection: adopting a silent fan, support intelligent speed regulation and intelligent temperature control, effectively extending the service life of the lamp and improving the reliability of the lamp.
- *Menu display: 2.8-inch full-touch LCD display, equipped with a new visual UI interface, providing an intuitive operating experience, and can easily adjust parameters such as color, color temperature and brightness; support free switching between Chinese and English languages, and a 180° font inversion display function .
- *Intelligent color management system: Support automatic color correction system to ensure stable and consistent color and color temperature and pure color.
- *Scene editing: Equipped with 20 independent editable scenes, support offline scene recording function, and can edit changing scene lighting effects.
- *Pop-up warning: Support pop-up warning function, which automatically pops up a warning window when equipment operation fails or has other problems, promptly reminding users of equipment problems so that users can take timely measures.
- *Real-time monitoring: Real-time monitoring of fan speed can visually display the fan's rotation status and speed on the display, helping users better understand the operating status and heat dissipation of the device.
- *High-frequency dimming: support 1,000-25,000Hz high-frequency dimming, no flicker under high-definition cameras.
- *Screensaver mode: Supports six screen saver modes. When the display screen has no activity for a period of time, it will automatically enter the screen saver mode to save power and protect the display.

Specification

Input voltage	AC 110-240V 50/60Hz
Rated power	400W
Light source	1350 0.9W full spectrum CW+WW LEDs (675 pcs each of single color)
Average lifespan	50000 H
Lamp output luminous flux	35016 Lm
Spot angle	110°
Color rendering index	Ra≥96
Color temperature	1800-10000K linear adjustment
Control method	DMX512, built-in program self-propelled, master-slave online mode, Art-net Ethernet data interface, support RDM protocol and program online update function.
Channel	6/4 channel
IP level	Ip30
Lamp body structure	Aluminum alloy + injection molded shell
Lamp size (L×W×H)	579×392×153mm
Packaging size (L×W×H)	645×460×230mm
Gross weight	13.8kg
Net weight	11.9kg

Fixture size drawing (mm)





LED Studio Light

TL-SL307



Safety instruction

Warning: danger of serious injury or death	Warning: consult the manual before installation, power on, or repair	Warning: fatal or serious electric shock hazard	Warning: fire	Warning: hot surface is dangerous to burn, do not touch	Warning: danger of eye injury, please wear goggles	Warning: danger of hand injury, please wear gloves
Only suitable for lights directly installed on the surface of non-combustible materials	Replace all shattered protective covers	Shortest distance from the illuminated object (m)	Rated maximum ambient temperature	Indoor use only	Do not point the lens towards the sun or strong light	Operation is not allowed during running

Features

*Illumination: 2M 1200LUX, 5M 300LUX.

*Application: suitable for conference rooms, studios, stages and other places.

Specification

Input voltage	AC 220V±10% 50/60Hz, 220W
Light source	Lamp 55W*4
Average lifespan	10000H
Color temperature	5600K
Fixture size (L×W×H)	640×180×300mm
Package size (L×W×H)	710×440×290mm(2pcs)
Gross weight	12.2kg
Net weight	5.5kg



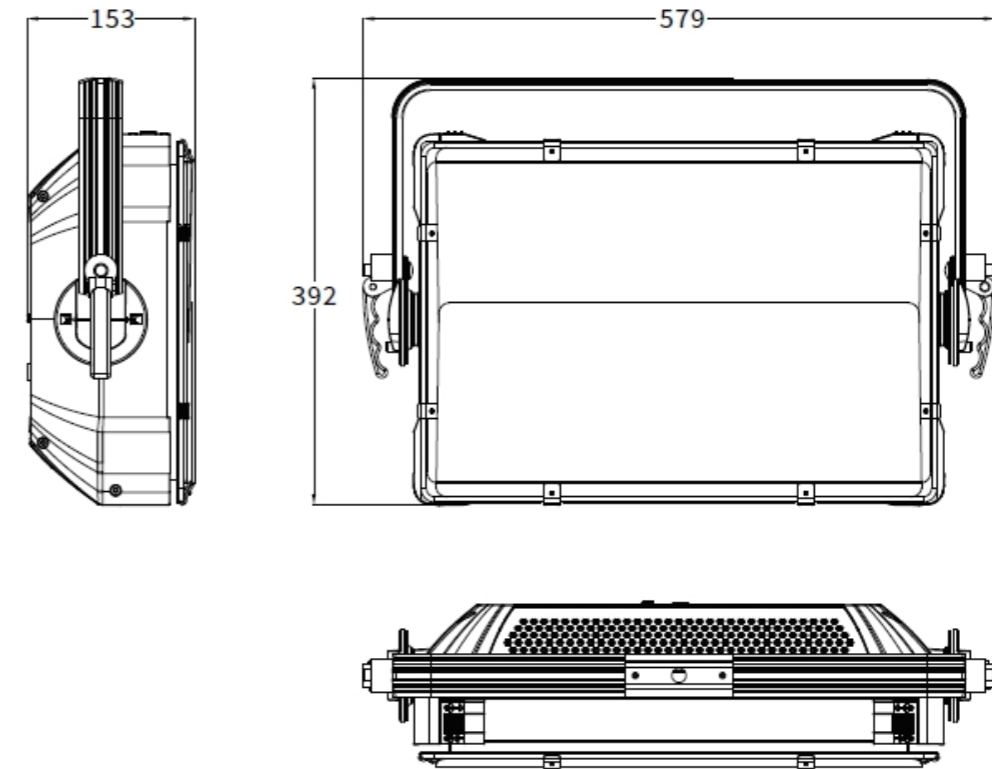
Features

- *Electronic strobe: 1-25Hz.
- *Preset effects: Equipped with four preset effects (jump, gradient, breathing, cycle) to meet different needs.
- *Operation mode: Equipped with three operation modes (regular mode, low speed mode, silent mode) to adapt to different usage scenarios.
- *Software update: Support DMX signal update and cloud server remote online update. Software update is fast and convenient.
- *Color macro: Call any color through the palette, providing rich color choices and providing more possibilities for creativity.
- *Dimming curve: Support 4 types of dimming curves (square curve, inverse curve, straight line and S curve) to meet the needs of different occasions.
- *Temperature protection: adopting a silent fan, support intelligent speed regulation and intelligent temperature control, effectively extending the service life of the lamp and improving the reliability of the lamp.
- *Menu display: 2.8-inch full-touch LCD display, equipped with a new visual UI interface, providing an intuitive operating experience, and can easily adjust parameters such as color, color temperature and brightness; support free switching between Chinese and English languages, and a 180° font inversion display function.
- *Intelligent color management system: Support automatic color correction system to ensure stable and consistent color and color temperature and pure color.
- *Scene editing: Equipped with 20 independent editable scenes, support offline scene recording function, and can edit changing scene lighting effects.
- *Pop-up warning: Support pop-up warning function, which automatically pops up a warning window when equipment operation fails or has other problems, promptly reminding users of equipment problems so that users can take timely measures.
- *Real-time monitoring: Real-time monitoring of fan speed can visually display the fan's rotation status and speed on the display, helping users better understand the operating status and heat dissipation of the device.
- *High-frequency dimming: support 1,000-25,000Hz high-frequency dimming, no flicker under high-definition cameras.
- *Screensaver mode: Supports six screen saver modes. When the display screen has no activity for a period of time, it will automatically enter the screen saver mode to save power and protect the display.

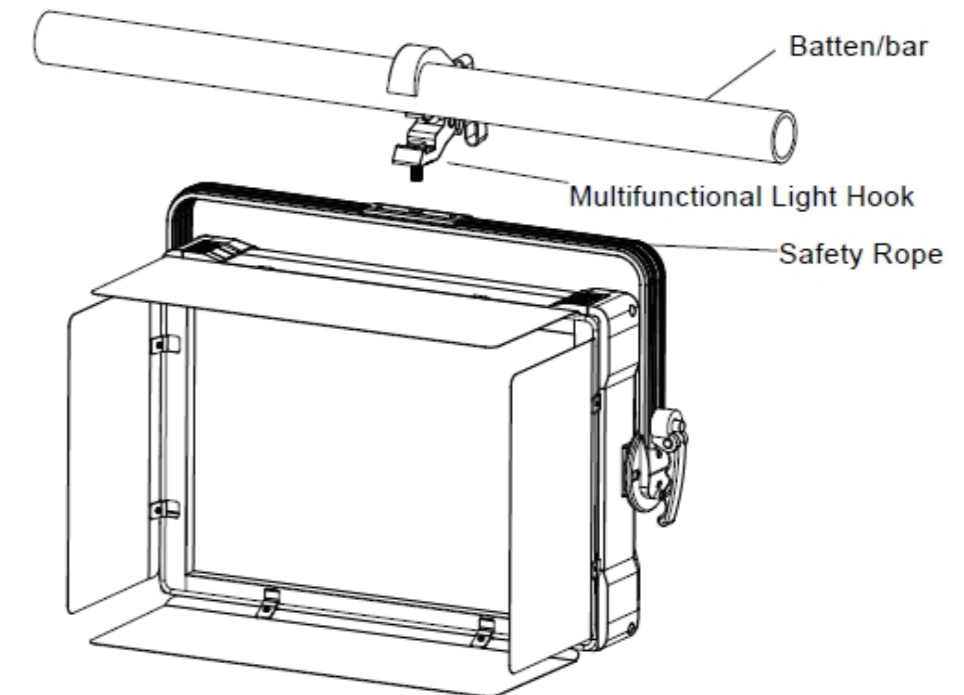
Specification

Input voltage	AC 110-240V 50/60Hz
Rated power	400W
Light source	2112*0.5W LED light source (352 pcs each of R/G/B/W/L/C)
Average lifespan	50000 H
Lamp output luminous flux	20250 Lm
Beam angle	66°
Spot angle	110°
Color rendering index	Ra:≥98
Color temperature	1800-10000K linear adjustment
Control method	DMX512, built-in program self-propelled, master-slave online mode, Art-net Ethernet data interface, support RDM protocol and program online update function.
Aisle	11/14 channel
IP level	Ip30
Lamp body structure	Aluminum alloy + injection molded shell
Lamp size (L×W×H)	579×392×153mm
Packaging size (L×W×H)	645×460×230mm
Gross weight	13.8kg
Net weight	11.9kg

Dimension



Installation

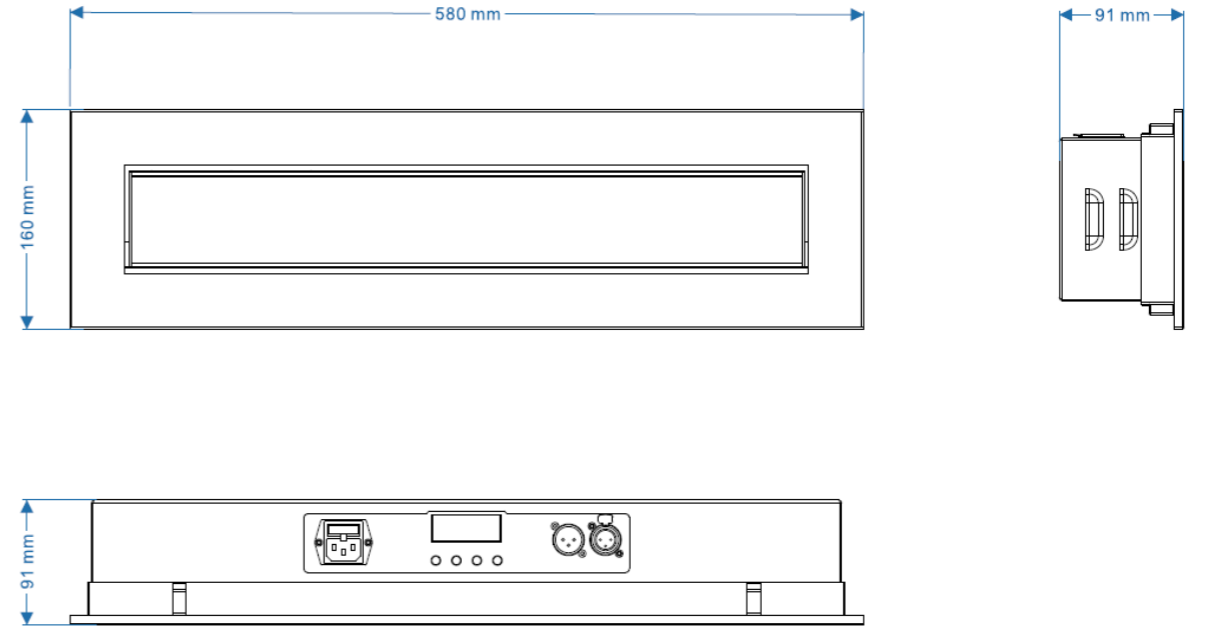




LED Studio Light

TL-SL311

Dimension



Features

*Dimming: 0-100% linear adjustment.

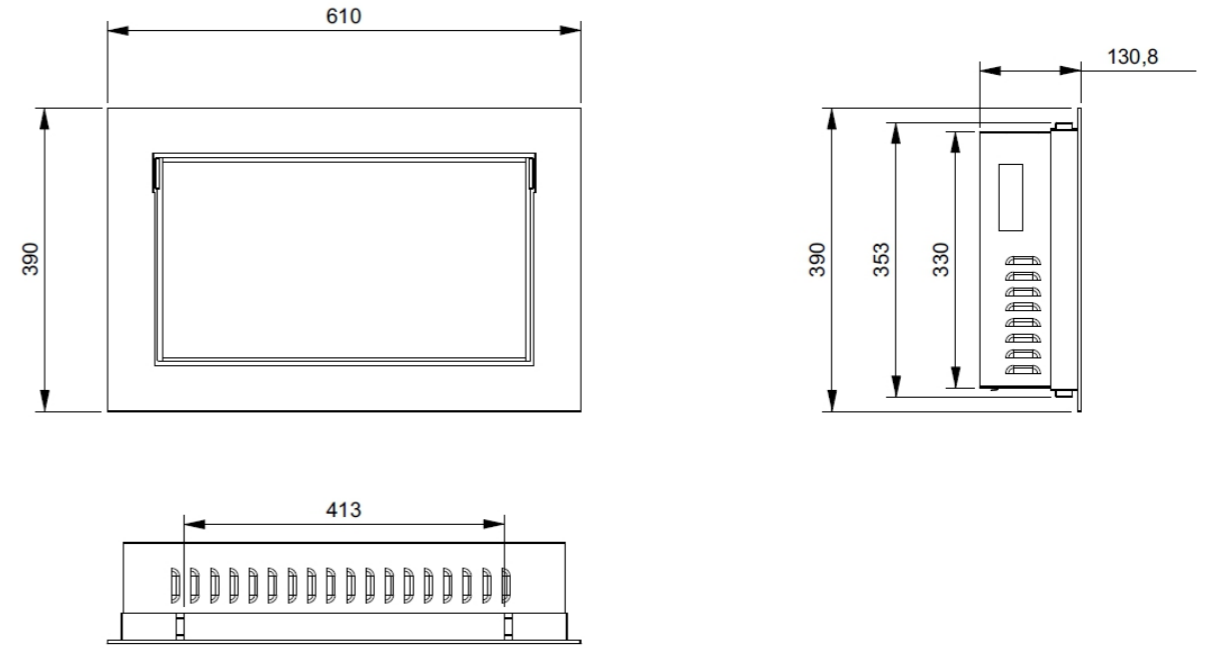
*Color rendering index: Ra>97.

Specification

Input voltage	AC 110-240V 50/60Hz, 50W
Light source	48 warm white and cold white 2835/0.5W LED
Average lifespan	50000H
Color temperature	3200-6500K
Beam angle	70°
Adjustment angle	0-60°electric adjustment
Control mode	DMX512/manual control
Channel	3/6CH
Fixture material	Die-casting aluminum + iron
Protection class	Ip30
Opening size	560×145mm
Fixture size (L×W×H)	580×160×91mm
Package size (L×W×H)	635×230×165mm
Gross weight	5.3kg
Net weight	4.9kg



Dimension



Features

- * Dimming: 0-100% linear adjustment.
- * Heat dissipation mode: fan and natural heat dissipation.
- * Color rendering index: Ra>96
- * Over-temperature protection function: built-in NTC temperature control function. When the LED is overheated, the output power will be intelligently reduced.

Specification

Input voltage	AC 110-240V 50/60Hz, 200W
Light source	364PCS 5050/0.4W four in one LED
Light lifespan	100000H
Beam angle	120°
Control mode	DMX512 control/manual control/RDM protocol and program online upgrade function
Channel	4/8/9CH
Fixture material	Aluminum alloy
Accessory	Installation frame, power cable, signal cable
Protection class	Ip20
Opening size	585×360mm
Fixture size (L×W×H)	610×390×130mm
Package size (L×W×H)	740×210×510mm
Gross weight	16.3kg
Net weight	14.4kg

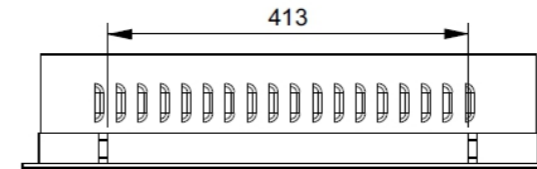
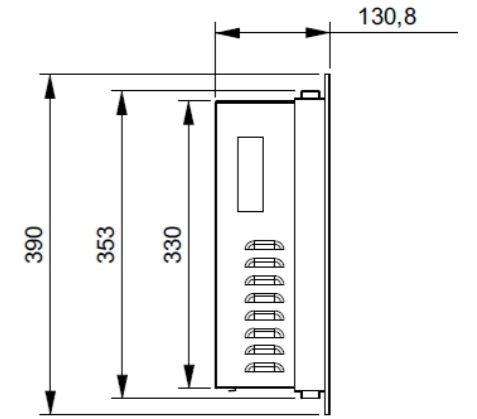
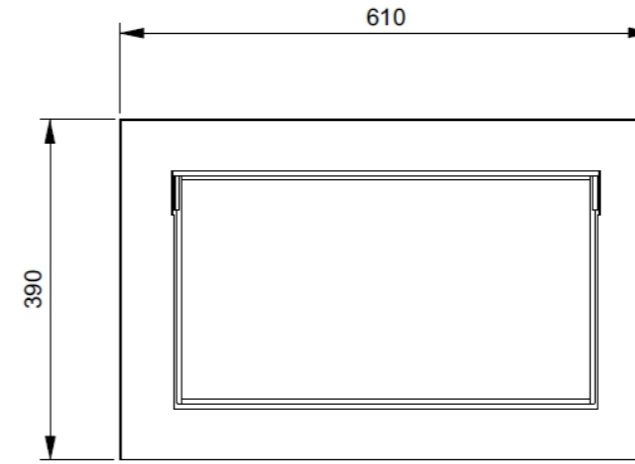


LED Studio Light

TL-SL313



Dimension



Features

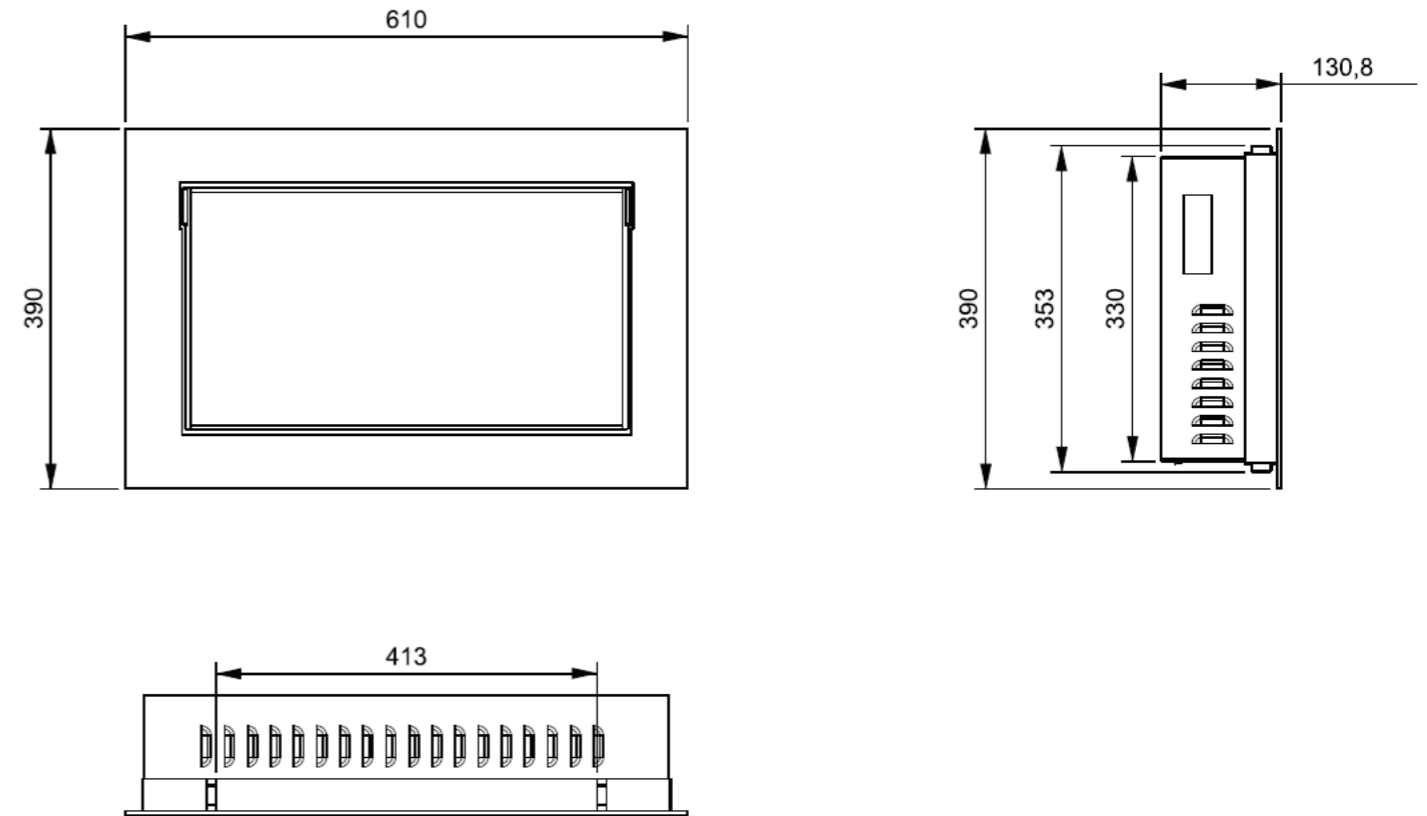
- * Dimming: 0-100% linear adjustment.
- * Heat dissipation mode: fan and natural heat dissipation.
- * Color rendering index: Ra>96.
- * Over-temperature protection function: built-in NTC temperature control function. When the LED is overheated, the output power will be intelligently reduced.

Specification

Input voltage	AC 110-240V 50/60Hz, 200W
Light source	805PCS 2835 high CRI LED arrays
Average lifespan	100000H
Color temperature	3000K-7200K
Beam angle	120°
Control mode	DMX512/manual control/support RDM protocol and program online upgrade function
Channel	2/5CH
Fixture material	Aluminum alloy
Protection class	Ip20
Opening size	585×360mm
Fixture size (L×W×H)	610×390×130mm
Package size (L×W×H)	740×210×510mm
Gross weight	16.3kg
Net weight	14.4kg



Fixture size drawing (mm)



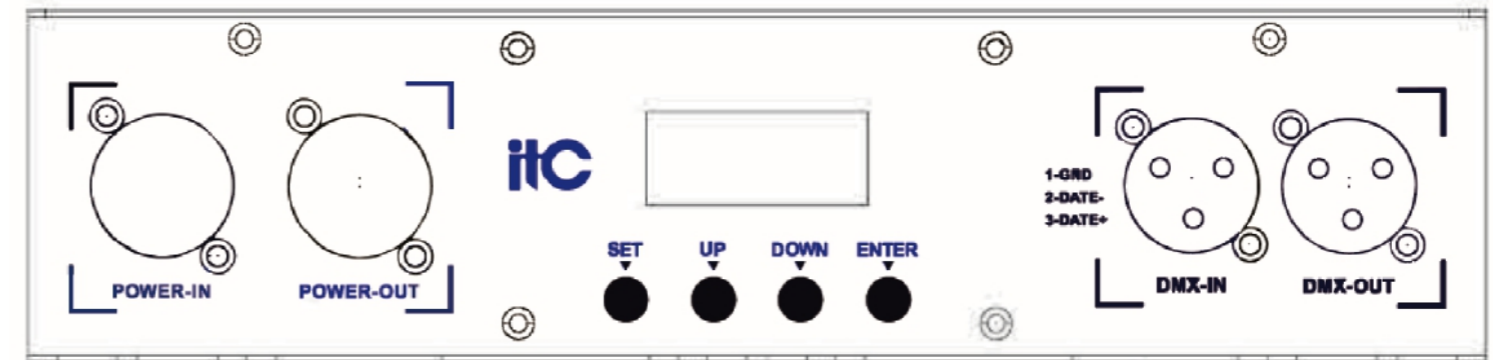
Features

1. Dimming: 0-100% linear adjustment.
2. Heat dissipation mode: fan and natural heat dissipation.
3. Color rendering index: Ra>96.
4. Over-temperature protection function: built-in NTC temperature control function, when the LED is overheated, the output power will be intelligently reduced.

Specification

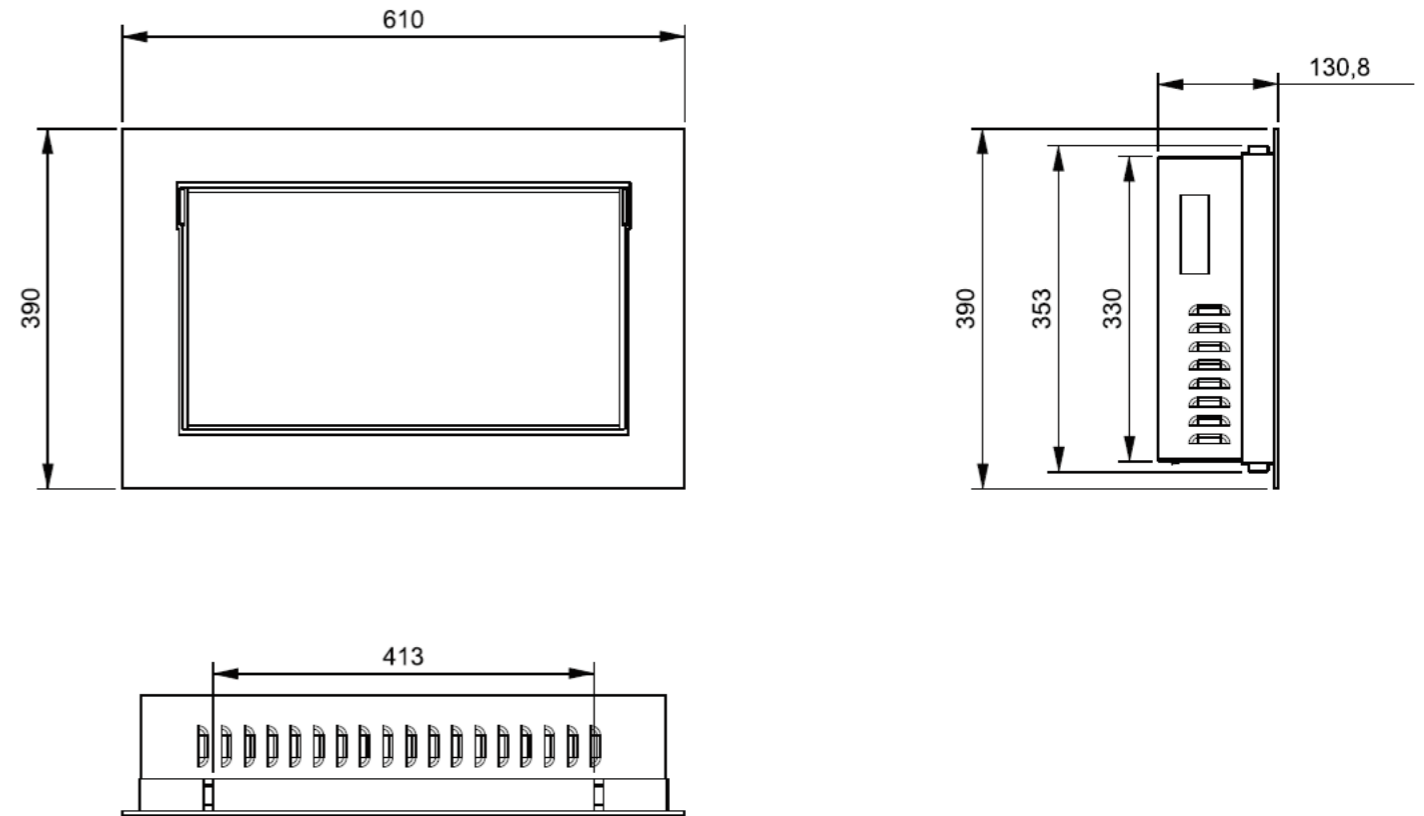
Input voltage	AC 110-240V 50/60Hz, 200W
Light source	805PCS 2835 high CRI LED arrays
Light lifespan	100000H
Color temperature	3000K-7200K color temperature adjustable
Beam angle	120°
Adjustable angle	0-65° electric adjustment
Control mode	DMX512 control/manual control, support RDM protocol and program online upgrade function
Channel	3/6/7 channel
Lamp material	aluminum alloy
Protection class	Ip20
Accessory	installation frame, power line, signal line
Opening size	585×360mm
Fixture size (L×W×H)	610×390×130mm
Package size (L×W×H)	740×210×510mm
Gross weight	17.8kg
Net weight	16kg

Wiring diagram





Fixture size drawing (mm)



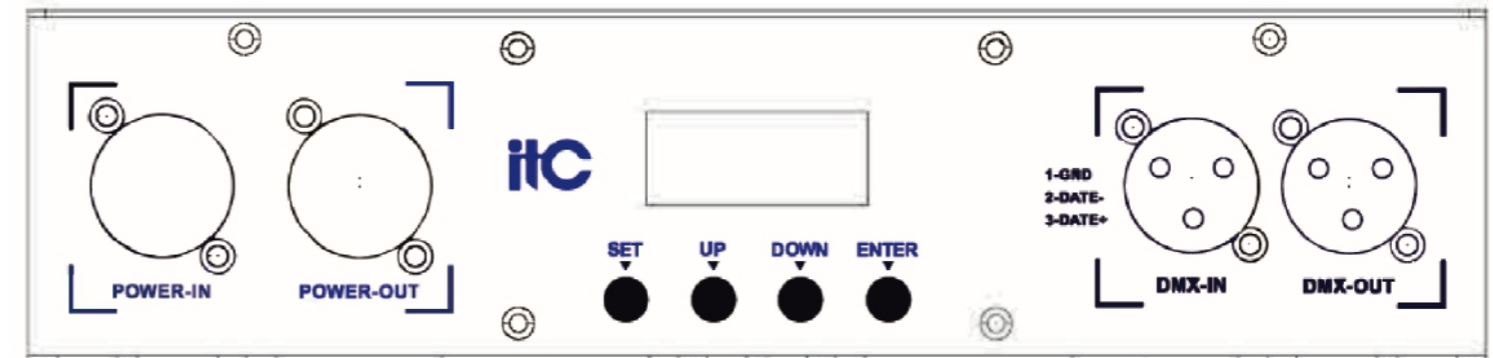
Features

- * Dimming: 0-100% linear adjustment.
- * Heat dissipation mode: fan and natural heat dissipation.
- * Color rendering index: Ra>96.
- * Over-temperature protection function: built-in NTC temperature control function. When the LED is overheated, the output power will be intelligently reduced.

Specification

Input voltage	AC 110-240V 50/60Hz, 200W
Light source	364PCS 5050/0.4W four in one LED
Average lifespan	100000H
Beam angle	120°
Adjustment angle	0-65° electric adjustment
Control mode	DMX512 control/manual control/ support RDM protocol and program online upgrade function
Channel	5/9/10CH
Fixture material	Aluminum alloy
Accessory	Installation frame, power cable, signal cable
Protection class	Ip20
Opening size	585×360mm
Fixture size (L×W×H)	610×390×130mm
Package size (L×W×H)	740×210×510mm
Gross weight	17.8kg
Net weight	16kg

Wiring diagram





LED Studio Light

TL-SL321



Safety instruction

Warning: danger of serious injury or death	Warning: consult the manual before installation, power on, or repair	Warning: fatal or serious electric shock hazard	Warning: fire	Warning: hot surface is dangerous to burn, do not touch	Warning: danger of eye injury, please wear goggles	Warning: danger of hand injury, please wear gloves
Only suitable for lights directly installed on the surface of non-combustible materials	Replace all shattered protective covers	Shortest distance from the illuminated object (m)	Rated maximum ambient temperature	Indoor use only	Do not point the lens towards the sun or strong light	Operation is not allowed during running

Specification

Input voltage	AC 90-240V 50/60Hz, 100W
Light source	COB white light 100W LED 3200K
Average lifespan	50000H
Color temperature	3200K
Beam angle	19° (26° optional)
Control mode	LCD screen, DMX512 control
Channel	2CH
Fixture material	Die-casting aluminum
Signal input/output	3P-XLR input/output, DMX512 signal
Protection class	Ip20
Working temperature	-20°C~40°C
Fixture size(L×W×H)	380×185×130mm
Net weight	2.8kg



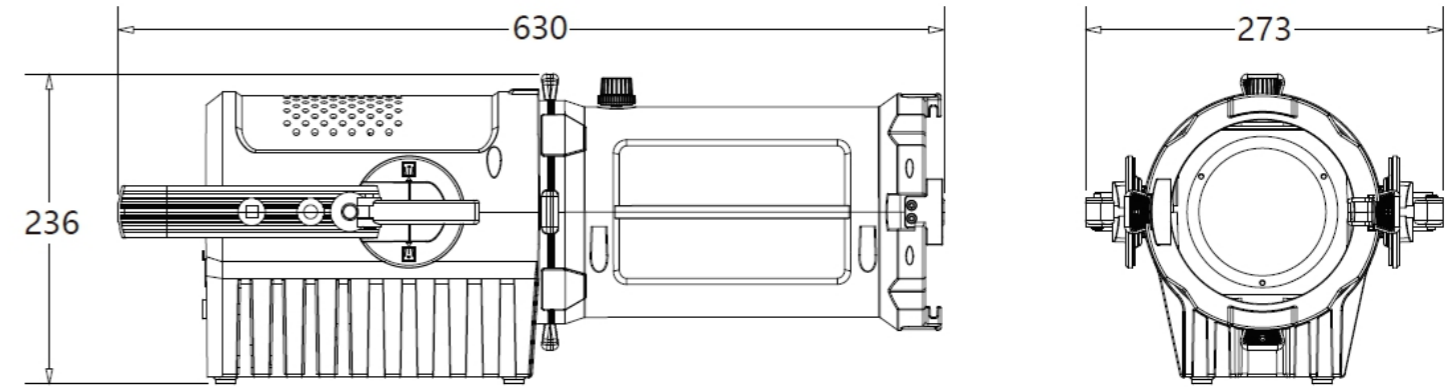
Features

1. Optics: high precision glass optical lens (7 layers of coating), two groups of glued lenses.
2. Optical angle: 19 degrees (26 degrees optional)
3. Manual knob type focus
4. Light source: COB white light 200W LED 3200K
5. Dimming: 0-100% linear dimming.
6. Control protocol: DMX512, RDM / upgrade through the DMX data line.
7. Display interface: LCD liquid crystal display + four keys Support English and Chinese switching
8. Intelligent heat dissipation: With the adoption of copper tube radiator wind diversion and temperature intelligent monitoring technology, it can automatically drive the cooling fan in different parts of the luminaires inside to effectively cool the luminaire components according to the temperature of different locations of the luminaires.

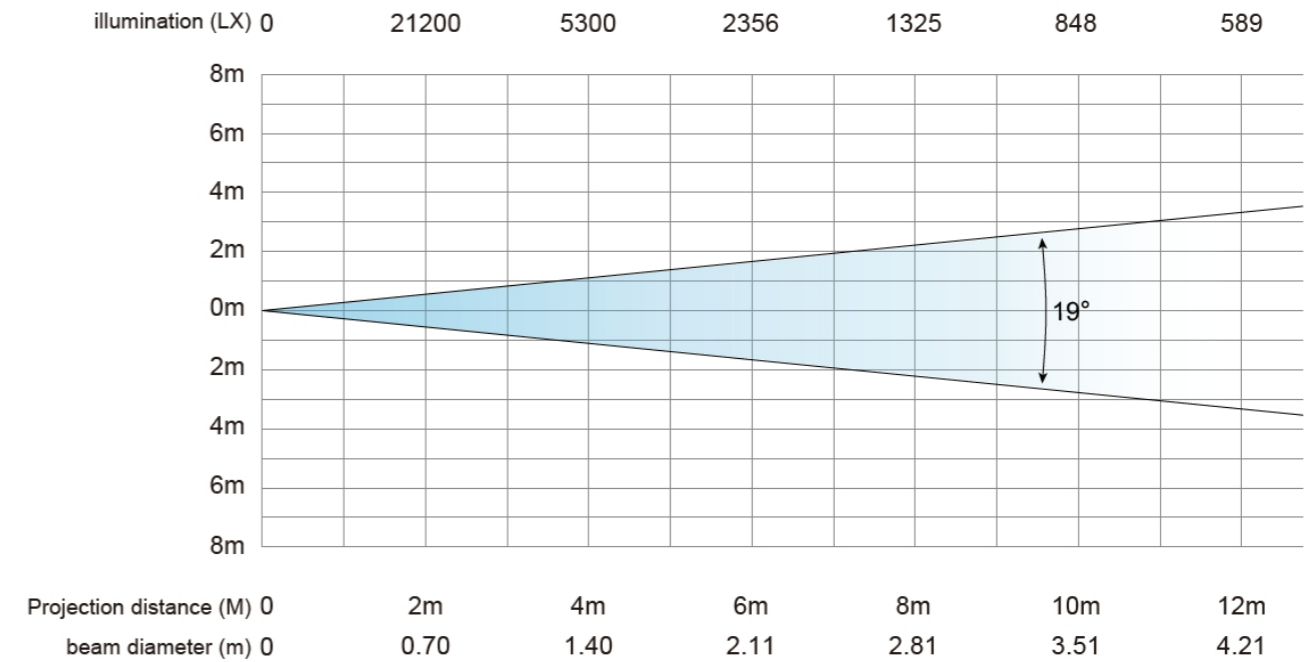
Specification

Input voltage	AC 110-240V 50/60Hz, 200W
Light source	COB white light 200W LED 3200K
Average life	50000H
Color temperature	3200K apparent value Ra ≥ 90
Optical angle	19 degrees (26 degrees optional)
Display interface	LCD liquid crystal display + four keys / Support English and Chinese switching
Signal input / output	3P-XLR input / output, DMX512 signal.
Channel	2 channels
Luminaire material	die-casting aluminum
Working environment	-20°C~45°C
Protection level	Ip20
Luminaire size (L×W×H)	630×273×236mm
Package size (L×W×H)	700×330×300mm
Gross weight	9.4KG (1PCS)
Net weight	7.7KG

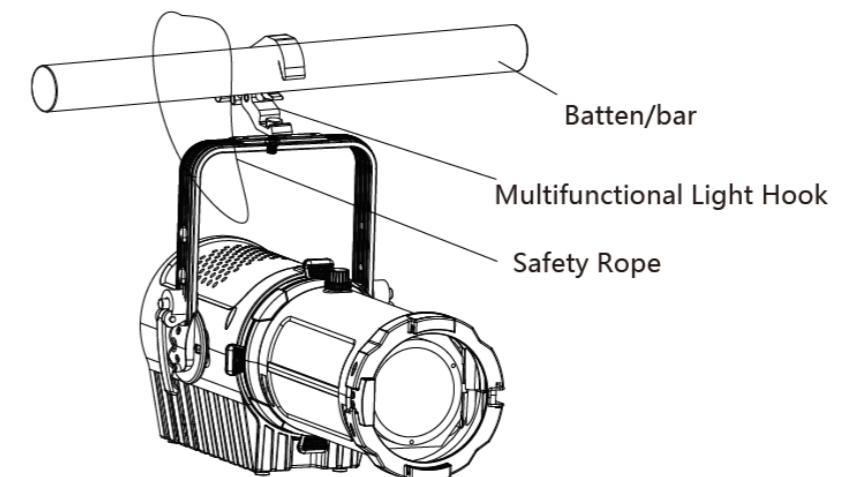
Fixture size drawing (mm)



Light effect diagram



Installation



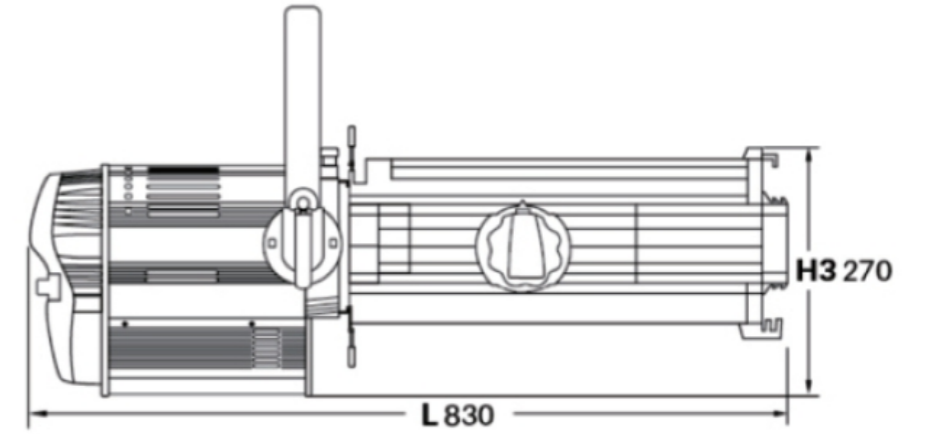
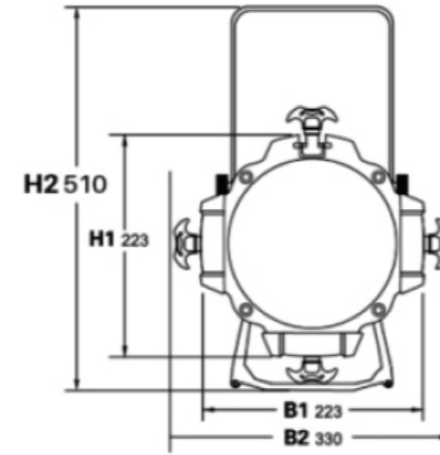


LED Studio Light

TL-SL326



Fixture size drawing (mm)



Features

- * Dimming: DMX signal dimming or manual button dimming.
- * Color [rendering index](#): Ra>92%.

Specification

Model	TL-SL326
Input voltage	AC 110-240V 50/60Hz, 240W
Light source	56PCS (3030/3535) 3-5W white light LED
Color temperature	5600K
Beam angle	10-20°
Channel	1
Fixture material	Die-casting aluminum
Protection class	Ip20
Fixture size (L×W×H)	840×290×280mm
Package size (L×W×H)	990×300×315mm
Gross weight	16.75kg
Net weight	14.75kg

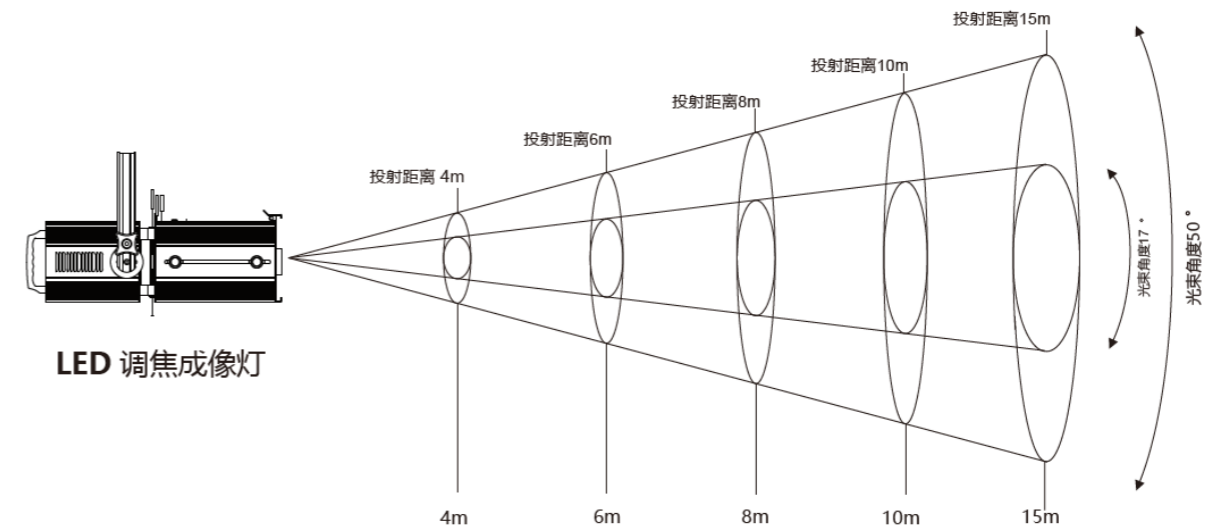
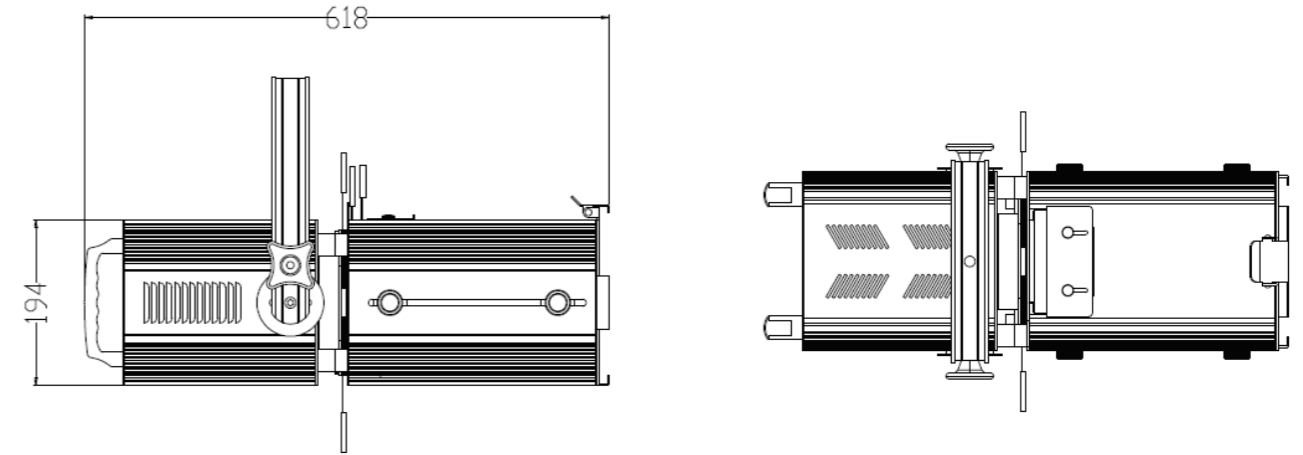


LED Studio Light

TL-SL326B



Fixture size drawing (mm)



Specification

Input voltage	AC 110-240V 50/60Hz, 250W
Light source	COB200W LED 5600K
Color temperature	5600K
Beam angle	17-50°
Channel	3CH
Fixture material	Die-casting aluminum
Signal input/output	3P-XLR input/output, DMX512 signal
Protection class	Ip20
Fixture size (L×W×H)	618×280×194mm
Package size (L×W×H)	740×350×325mm
Gross weight	12.85kg
Net weight	11kg

5600k

Illumination Center/Lux	4020	1850	1070	750	550	Beam angle 17°
Beam Diameter/cm	120	179	240	299	449	
Illumination Center/Lux	1200	540	340	270	150	Beam angle 50°
Beam Diameter/cm	225	378	429	631	946	



LED Studio Light

TL-SL327



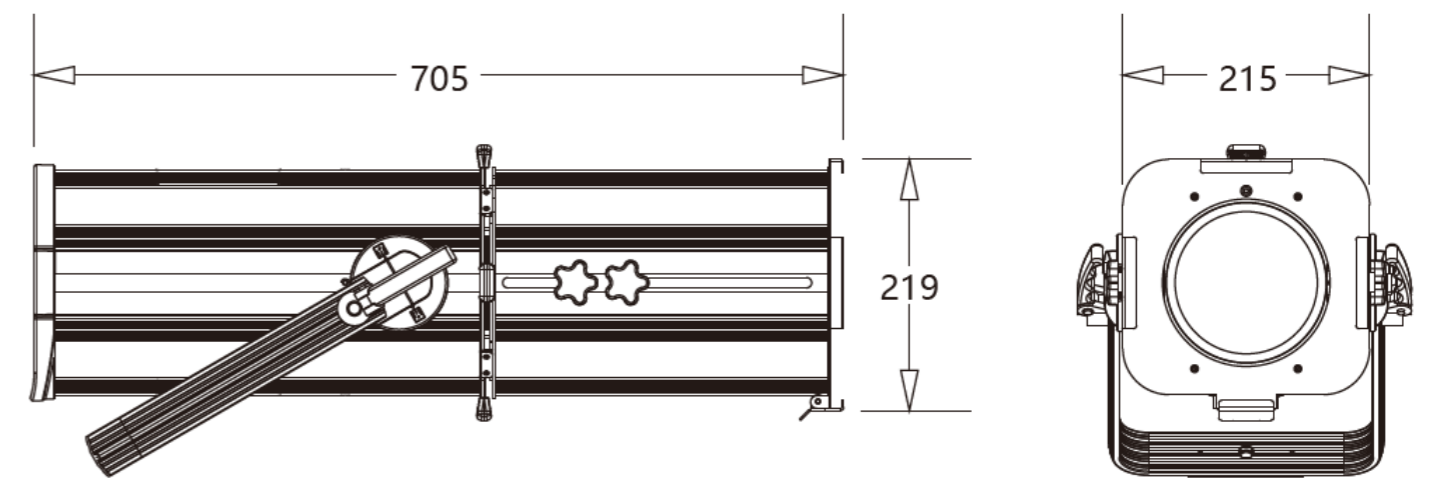
Features

1. Focusing method: Manually slide the knob to focus.
2. Dimming method: DMX signal dimming or manual button dimming.
3. Color rendering index: Ra>97.
4. Over temperature protection function: Equipped with NTC temperature control function, it intelligently reduces the output power of the LED when it overheats.

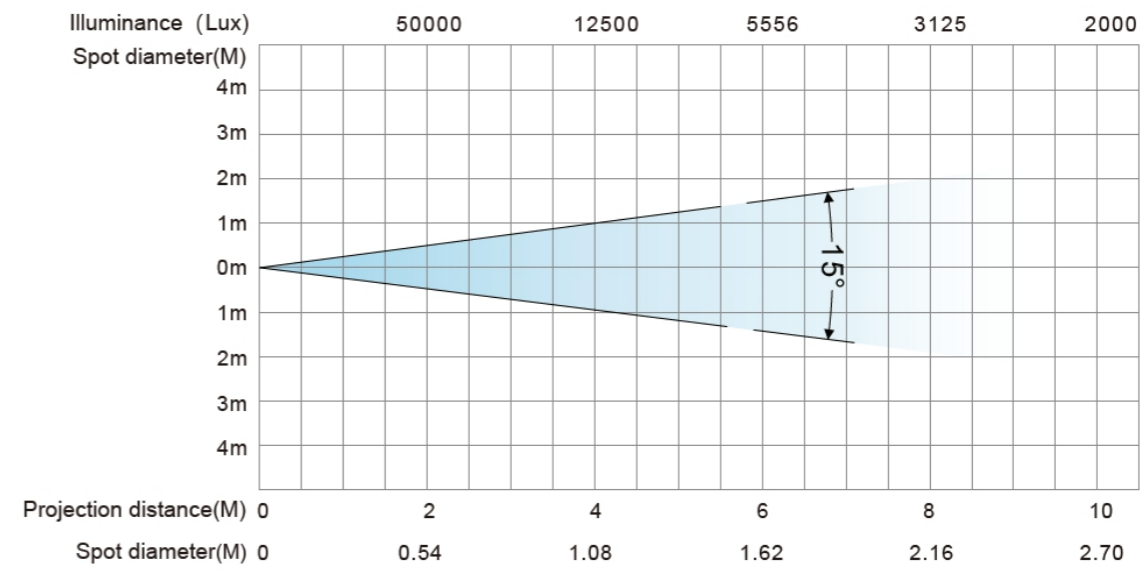
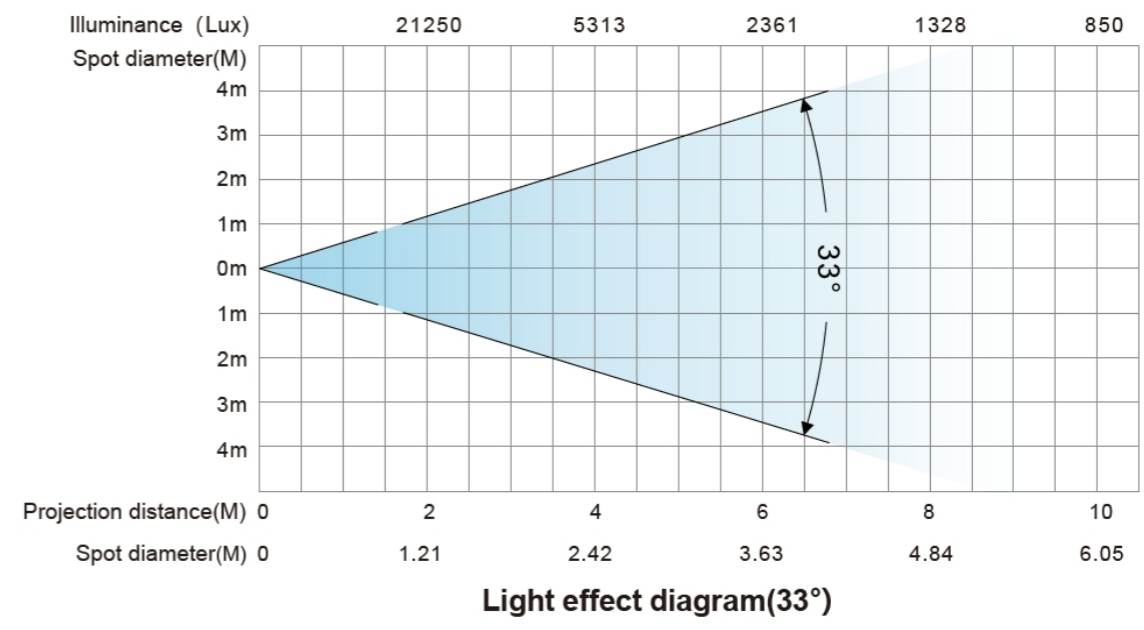
Specification

Input voltage	AC 110-240V 50/60Hz, 300W
Light source	COB white light 300W LED 5600K
Average lifespan	50000H
Color temperature	5600K
Beam angle	adjustable from 15-33 degrees
Signal input/output	3P-XLR input/output, DMX512 signal, supporting RDM protocol and program online update function
Channel	2 channels
Lamp material	die-cast aluminum
Protection level	Ip20
Lamp size (L x W x H)	705 * 219 * 215mm
Packaging size (L x W x H)	810 * 350 * 340mm
Gross weight	16.3kg
Net weight	13.9kg

Fixture size drawing (mm)



Light effect diagram





LED Studio Light

TL-SL333



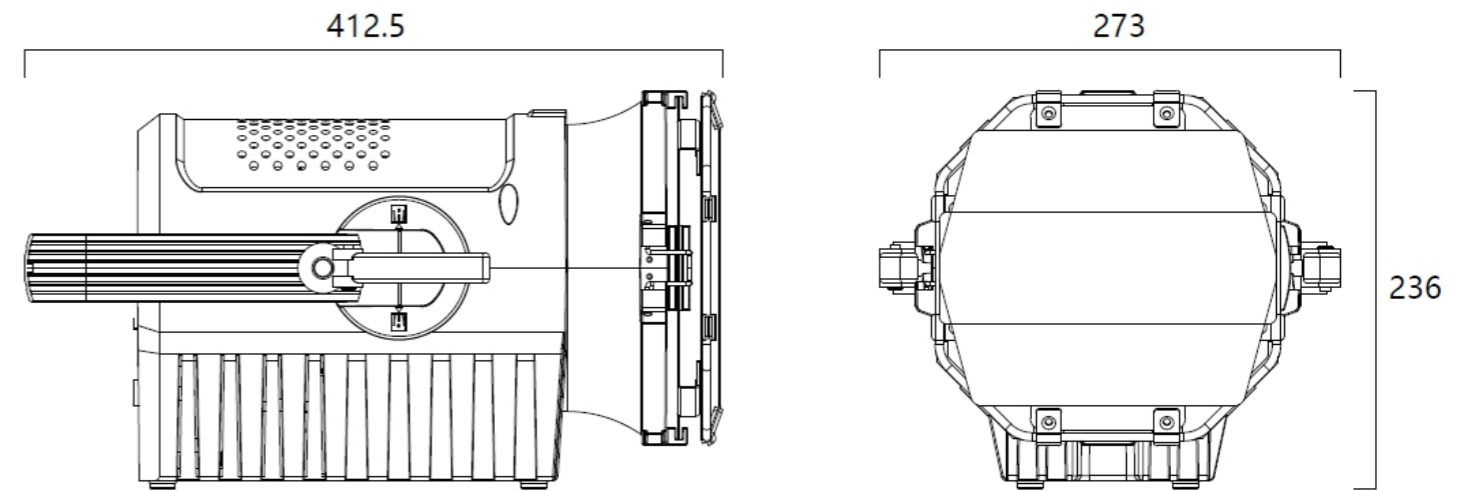
Features

- * Control panel: LCD screen + four buttons.
- * Color rendering index: Ra>94.
- * Dimming mode: 0-100% linear dimming.
- * Heat dissipation method: copper tube radiator.

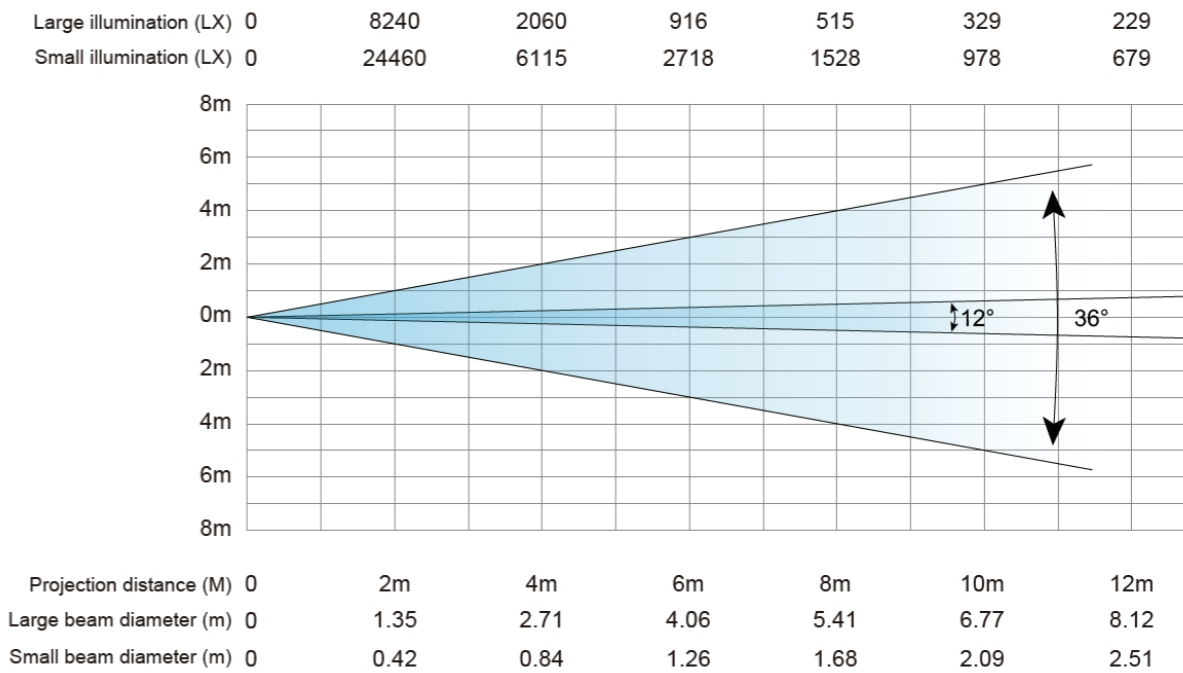
Specification

Input voltage	AC 110-240V 50/60Hz, 220W
Light source	High CRI COB LED lamp bead
Average lifespan	100000H
Color temperature	3000K-6000K
Beam angle	15-60° manual focusing
Channel	3/4CH
Fixture material	Aluminum alloy
Control mode	DMX512/manual control
Protection class	Ip20
Fixture size (L×W×H)	455×265×292mm
Package size (L×W×H)	715×675×475mm (4pcs)
Gross weight	35kg
Net weight	6.9kg

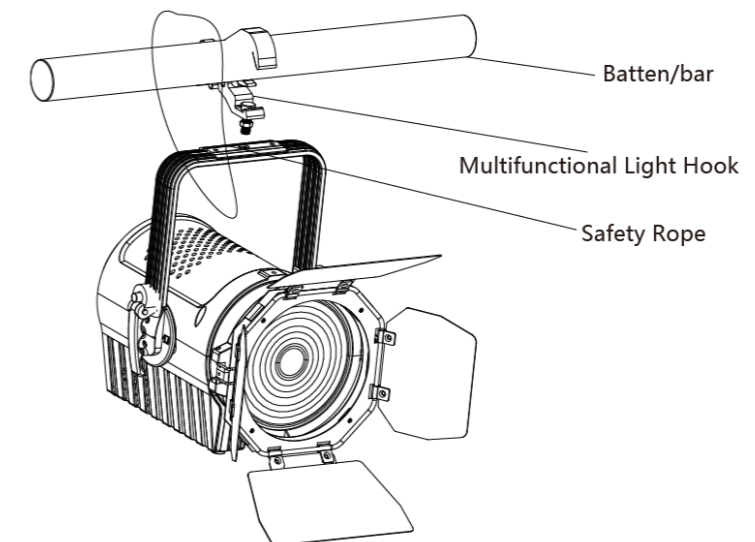
Fixture size drawing (mm)



Light effect diagram



Installation



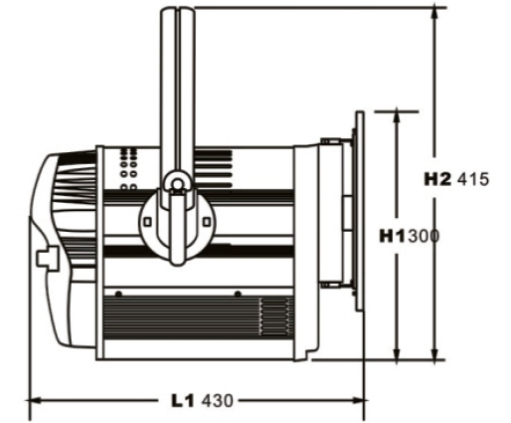
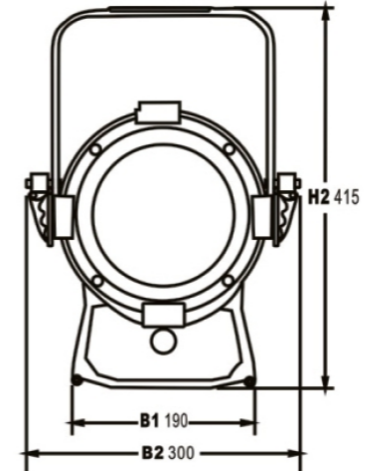


LED Studio Light

TL-SL334



Fixture size drawing (mm)



Features

- * Dimming: smooth dimming without dithering above 16 bits; no flicker in camera video.
- * Color rendering index: 6500K (70%/80%).
- * Focusing: DMX motor/manual button focusing.
- * Ultra mute fan with low noise.

Specification

Input voltage	AC 110-240V 50/60Hz, 230W
Light source	Imported LED
Average lifespan	50000H
Color temperature	6500K
Beam angle	18-65°
Channel	3CH
Fixture material	Die-cast aluminum
Control mode	DMX512/manual control
Protection class	Ip20
Fixture size (L×W×H)	460×290×270mm
Package size (L×W×H)	535×345×335mm
Gross weight	10.5kg
Net weight	8.5kg

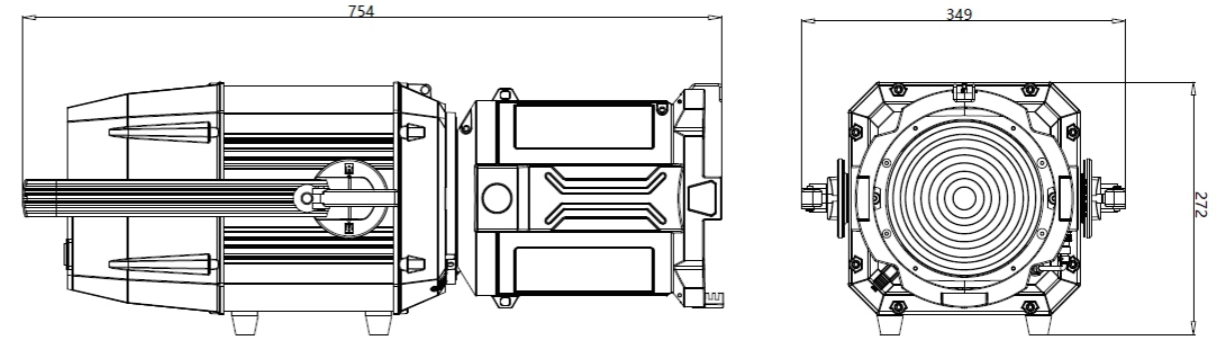


LED Studio Light

TL-SL335



Fixture size drawing (mm)



Features

- *Optics: two sets of high-precision glass optical lens (3-layer coating film).
- *Zoom: any angle optional
- *Strobe: 1-25 times/sec strobe frequency, with synchronous strobe mode, adjustable speed.
- *Display interface: a 3.5-inch widescreen LCD interface in Chinese and English, the hierarchical menu structure and graphical interface are user-friendly.
- *Intelligent heat dissipation: adopt wind direction drainage and intelligent temperature monitoring technology; according to the temperature of different parts of the light, the cooling fans in different parts are automatically started to cool the light components down.
- *Dimming curve: with 4 kinds of dimming curves to adapt to different occasions.
- *Quick replacement of lens modules: The lamp body and optical module are designed with a quick lock device, which is convenient for debugging and replacement of various optical modules.

Specification

Input voltage	AC110V-240V 50/60Hz 650W
Light source	1pcs 500W white LED
Average lifespan	20000H
Color temperature	7500K
Beam angle	18-43°
Control mode	DMX512 protocol, support RDM protocol and program online update function; (Art-net Ethernet data interface, DMX wireless function optional)
Channel	5 channels
Fixture material	High temperature resistant plastic + molded alloy material
IP rate	Ip20
Fixture size (L×W×H)	340×240×506mm
Package size (L×W×H)	400×375×525mm
Gross weight	18.0kg
Net weight	15.5kg

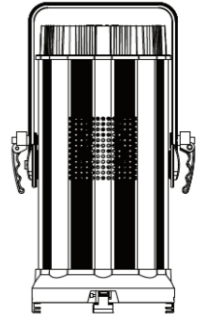
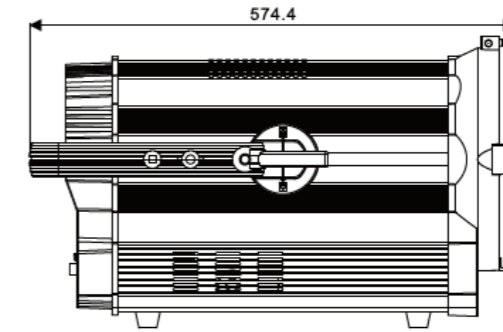
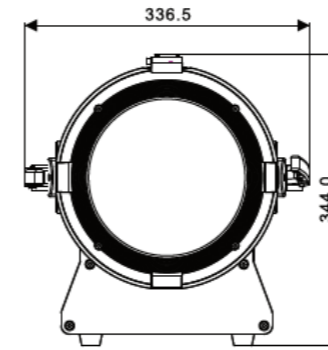


LED Studio Light

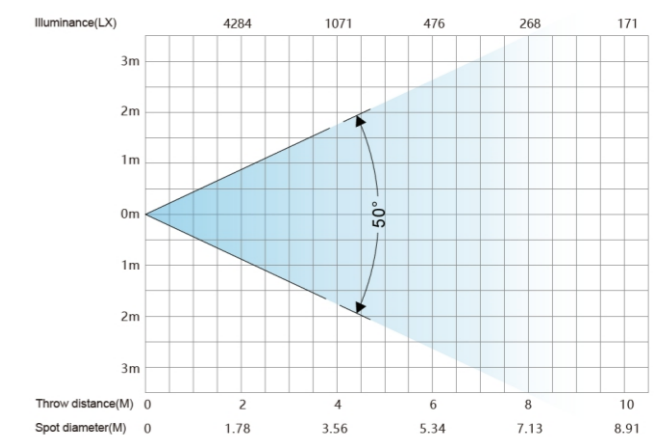
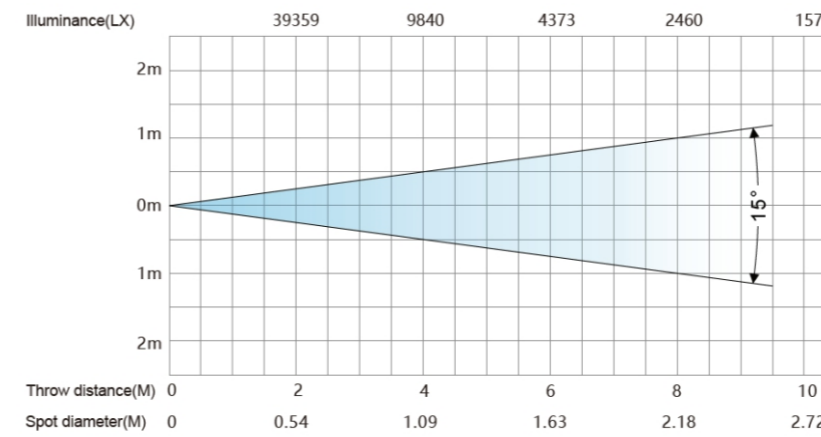
TL-SL336



Fixture size drawing (mm)



Light effect diagram



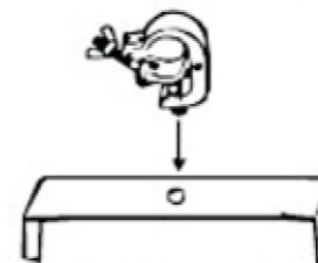
Features

- * Dimming: 0-100% independent electronic linear dimming; lifelike and flicker-free camera video.
- * Color rendering index: Ra>95.
- * Focusing: DMX motor/manual button focusing.
- * Over-temperature protection function: built-in NTC temperature control function. When the LED is overheated, the output power will be intelligently reduced.

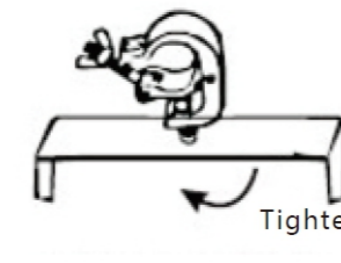
Specification

Model	TL-SL336
Input voltage	AC 110-240V 50/60Hz, 320W
Light source	300W LED
Average lifespan	50000H
Color temperature	2700-6500K
Beam angle	15-50°
Channel	3/7CH
Fixture material	Die-cast aluminum
Control mode	DMX512/manual control, support RDM protocol and program online upgrade function
Protection class	Ip20
Fixture size (L×W×H)	575×337×344mm
Package size (L×W×H)	690×385×410mm
Gross weight	14.0kg
Net weight	11.5kg

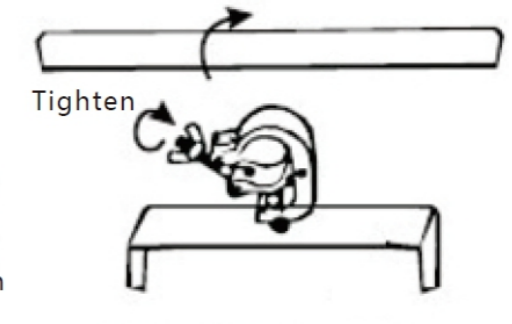
Installation



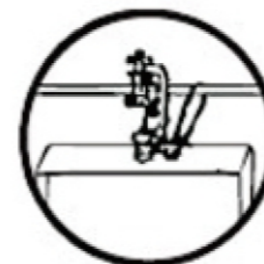
Attach the lamp hook to the handle of the lamp



Tighten the screw between the lamp hook and the handle



Mount the light hook on the light shelf and tighten the screws



Use safety ropes to make lamps safer



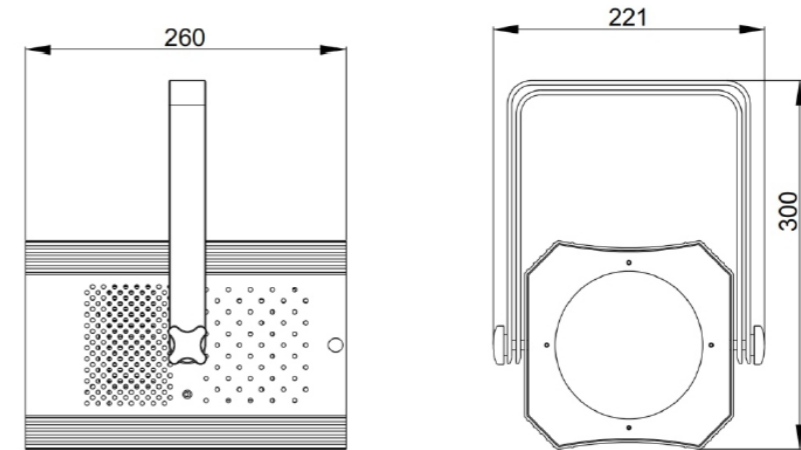
Features

- * Strobe: independent electronic strobe 1-25Hz.
- * Color mixing: WW/CW(warm white/cold white) linear color mixing, and built-in macro function.
- * Electronic dimming: 0-100% independent electronic linear dimming, lifelike and flicker-free camera video, the master-slave self-propelled automatic synchronization function, and the console normally controls the self-propelled permanent synchronization.
- * LCD menu: invoke various scenes; the built-in program can be directly invoked and executed.
- * Cast aluminum housing, high luminous efficiency, uniform light mixing, stable performance; equipped with a 1.5m power line and signal line.
- * Fixture connection: three-core signal line IN/OUT and power line IN/OUT.
- * Voice control sensitivity: 65-130dB.
- * Over-temperature protection function: built-in NTC temperature control function. When the LED is overheated, the output power will be intelligently reduced..

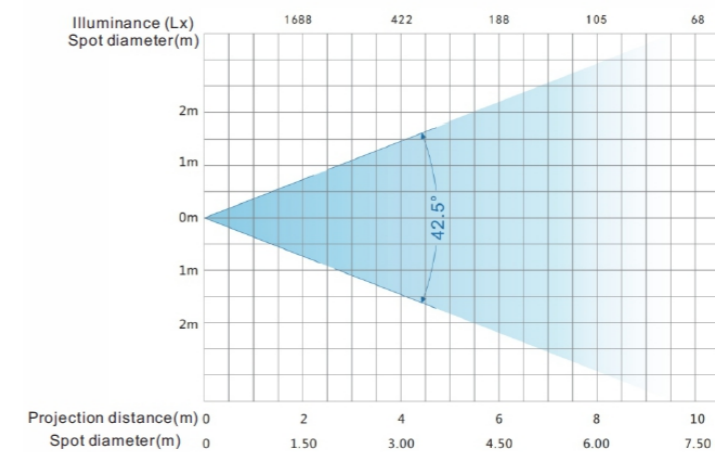
Specification

Input voltage	AC 110-240V 50/60Hz, 200W
Light source	200W LED(warm white/cold white)
Average lifespan	50000H
Color temperature	3200K-6500K linear adjustment
Beam angle	60°
Control mode	Multiple voice control, DMX512, self-propelled, master-slave connection mode, wireless module function, support RDM protocol and program online update function
Channel	2/6/7CH
Fixture material	Cast aluminum housing
Protection class	Fireproof V-1, protection Ip20
Fixture size (L×W×H)	260×221×300mm
Package size (L×W×H)	420×285×235mm
Gross weight	4.7kg
Net weight	3.7kg

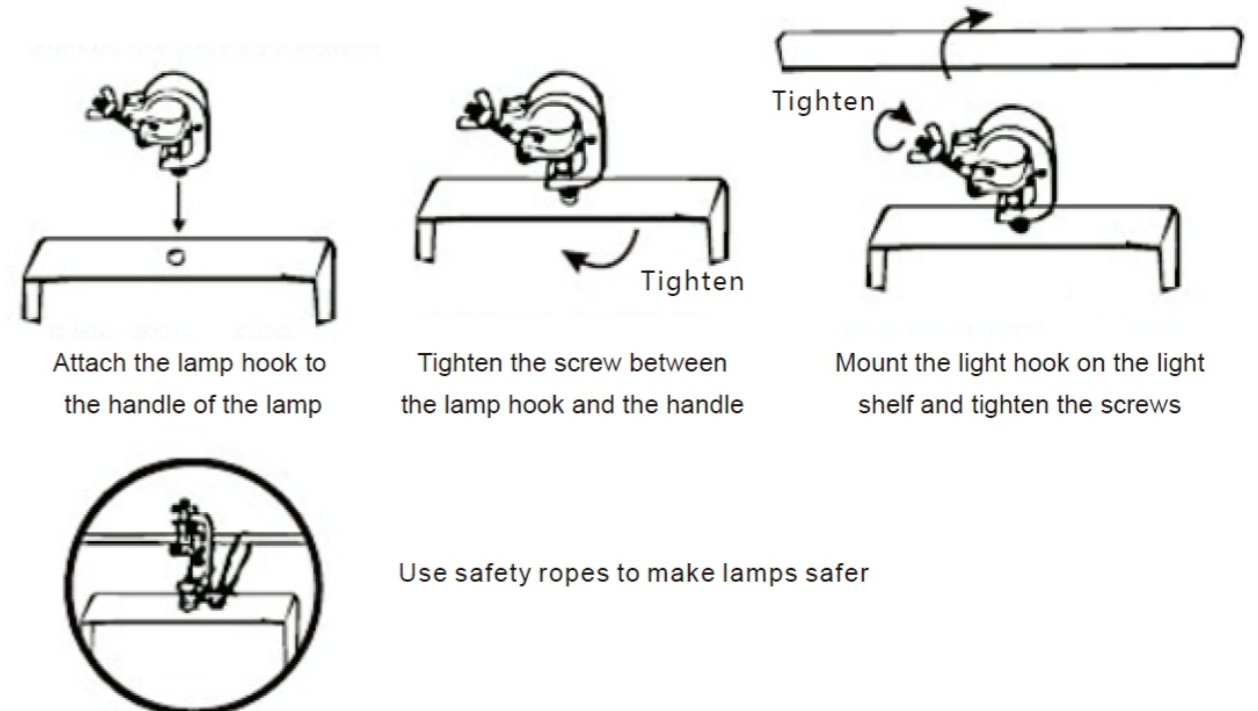
Fixture size drawing (mm)



Light effect diagram



Installation





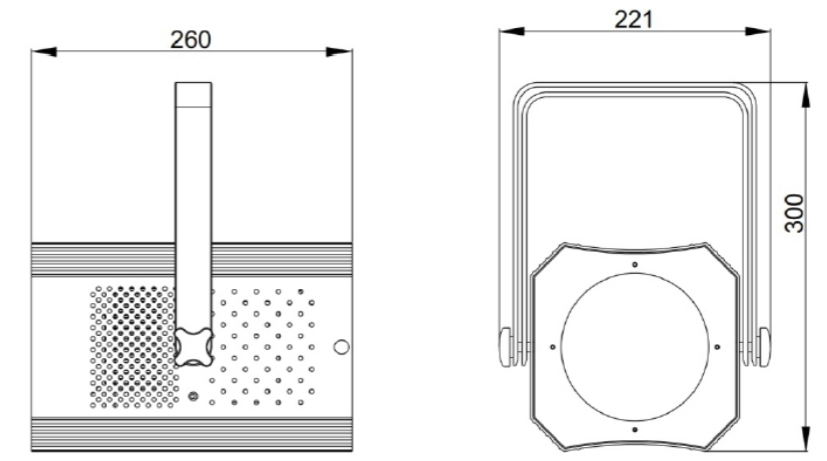
Features

- * Strobe: independent electronic strobe 1-25Hz.
- * Color mixing: WW/CW(warm white/cold white) linear color mixing, and built-in macro function.
- * Electronic dimming: 0-100% independent electronic linear dimming, lifelike and flicker-free camera video, the master-slave self-propelled automatic synchronization function, and the console normally controls the self-propelled permanent synchronization.
- * LCD menu: invoke various scenes; the built-in program can be directly invoked and executed.
- * Cast aluminum housing, high luminous efficiency, uniform light mixing, stable performance; equipped with a 1.5m power line and signal line.
- * Fixture connection: three-core signal line IN/OUT and power line IN/OUT.
- * Voice control sensitivity: 65-130dB.
- * Over-temperature protection function: built-in NTC temperature control function. When the LED is overheated, the output power will be intelligently reduced.

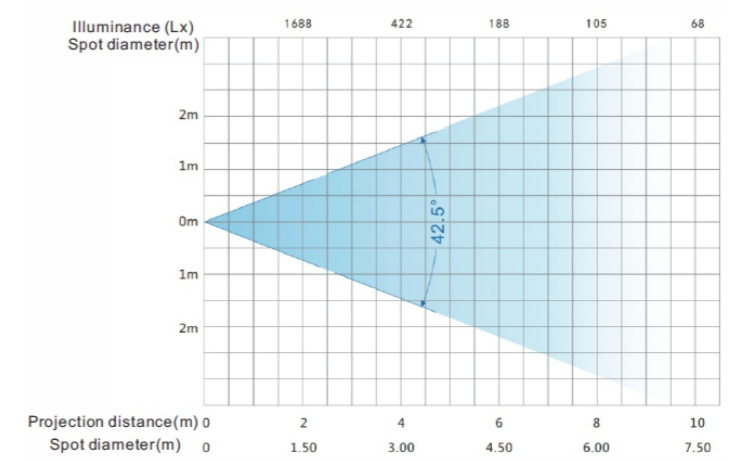
Specification

Input voltage	AC 110-240V 50/60Hz, 200W
Light source	200W LED(warm white/cold white)
Average lifespan	50000H
Color temperature	3200K-6500K linear adjustment
Beam angle	60°
Control mode	Multiple voice control, DMX512, self-propelled, master-slave connection mode, support RDM protocol and program online update function
Channel	2/6/7CH
Fixture material	Cast aluminum housing
Protection class	Fireproof V-1, protection Ip20
Fixture size (L×W×H)	260×221×300mm
Package size (L×W×H)	420×285×235mm
Gross weight	4.7kg
Net weight	3.7kg

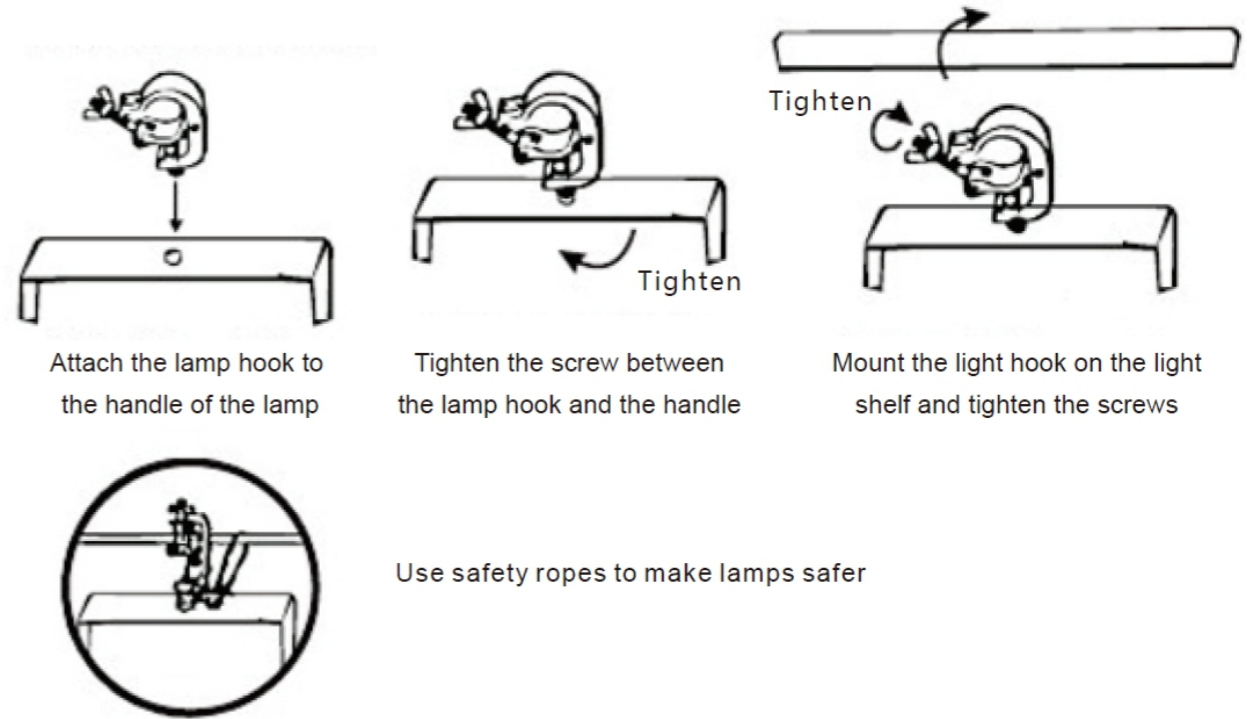
Fixture size drawing (mm)



Light effect diagram



Installation





Features

- * Strobe: independent electronic strobe 1-25Hz.
- * Electronic dimming: 0-100% independent electronic linear dimming, lifelike and flicker-free camera video, the master-slave self-propelled automatic synchronization function, and the console normally controls the self-propelled permanent synchronization.
- * LCD menu: invoke various scenes; the built-in program can be directly invoked and executed.
- * Fixture connection: three-core signal line IN/OUT and power line IN/OUT.
- * Cast aluminum housing, high luminous efficiency, uniform light mixing, stable performance; equipped with 1.3m hand in hand power line and signal line of 1 in and 1 out.
- * Over-temperature protection function: built-in NTC temperature control function. When the LED is overheated, the output power will be intelligently reduced.

Specification

Model	TL-SL343
Input voltage	AC 110-240V 50/60Hz, 200W
Light source	Ultra-bright LED 200W imported dual-color chip. A 100W warm white LED lamp bead, color temperature 3200K, and a 100W white LED
Average lifespan	50000H
Color temperature	3200K ~ 7200K linear adjustment
Beam angle	60°
Control mode	Multiple voice control, DMX512, built-in program self-propelled, master-slave connection mode
Channel	2/6CH
Fixture material	Cast aluminum housing
Protection class	Fireproof V-1, protection Ip20
Fixture size (L×W×H)	290×220×310mm
Package size (L×W×H)	250×250×360mm
Gross weight	4.1kg
Net weight	3.5kg

Safety instruction

Warning: danger of serious injury or death	Warning: consult the manual before installation, power on, or repair	Warning: fatal or serious electric shock hazard	Warning: fire	Warning: hot surface is dangerous to burn, do not touch	Warning: danger of eye injury, please wear goggles	Warning: danger of hand injury, please wear gloves
Only suitable for lights directly installed on the surface of non-combustible materials	Replace all shattered protective covers	Shortest distance from the illuminated object (m)	Rated maximum ambient temperature	Indoor use only	Do not point the lens towards the sun or strong light	Operation is not allowed during running

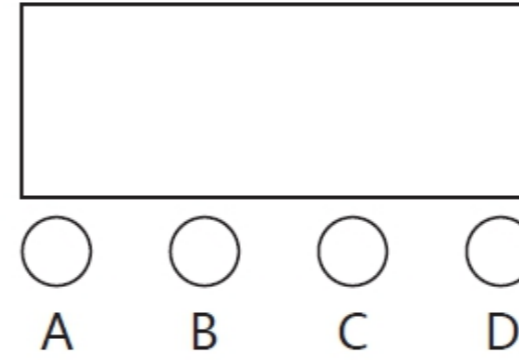


LED Studio Light

TL-SL344



Display panel operation



- A. Function key
- B. Add key
- C. Minus bond
- D. Confirm key

Features

- * Strobe: 0-25 times/sec.
- * Dimming: 0-100% linear dimming.
- * Best projection distance: 15-30m.
- * Function: illumination, cold and warm light adjustment, chase program, strobe, dimming.
- * Application: suitable for large stages, theaters, outdoor parties, bars, weddings and other entertainment venues.

Specification

Model	TL-SL344
Input voltage	AC 110-240V 50/60Hz, 450W
Light source	4PCS 100W two in one super bright and high-power LED lamp beads (warm white/pure white)
Average lifespan	50000H
Luminous flux	8624lm
Color temperature	3200K ~ 5600K
Beam angle	Reflector-Illumination: 960lux (5m)
Control mode	International standard DMX512, master-slave mode, manual mode
Channel	2/4/6/8/12CH
Fixture material	Cast aluminum housing
Protection class	Ip20
Fixture size (L×W×H)	360×360×240mm
Package size (L×W×H)	470×440×300mm
Gross weight	12.2kg
Net weight	11.15kg

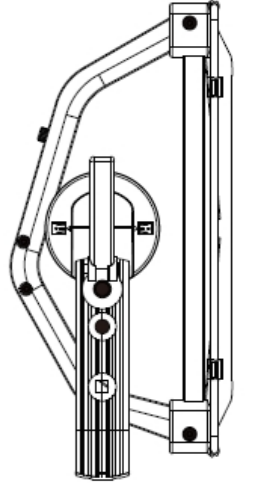
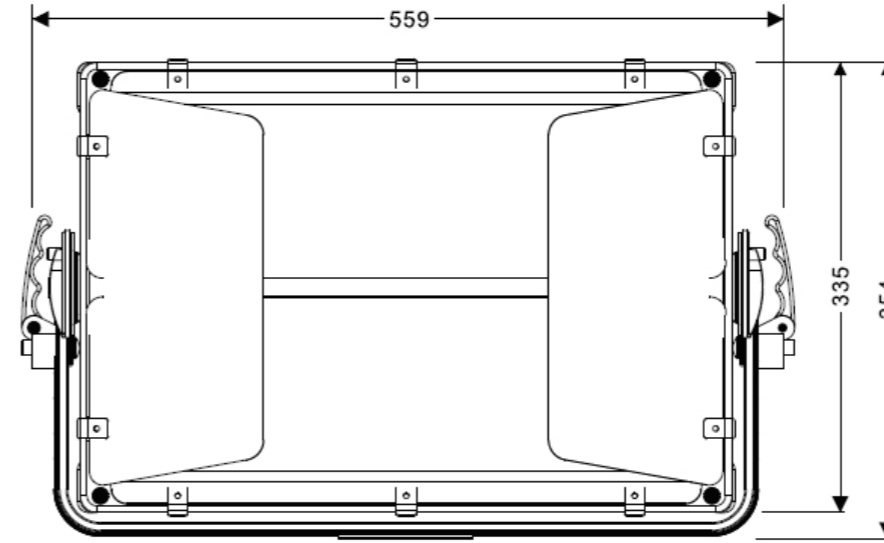


LED Studio Light

TL-SL361



Fixture size drawing (mm)



Features

- * Dimming: 0~100% linear adjustment.
- * Strobe effect: quick strobe (1-30Hz).
- * Over-temperature protection function: built-in NTC temperature control function. When the LED is overheated, the output power will be intelligently reduced.

Specification

Model	TL-SL361
Input voltage	AC 110-240V 50/60Hz, 250W
Light source	108 *3W LED (R27G27B27W27)
Average lifespan	50000H
Color temperature	6500K
Beam angle	60°
Channel	4/8CH
Fixture material	Die-cast aluminum
Control mode	DMX512 signal, self-propelled mode, master-slave mode, RDM protocol and program online upgrade function
Protection class	Ip20
Fixture size (L×W×H)	559×354×155mm
Package size (L×W×H)	640×395×210mm
Gross weight	12.6kg
Net weight	10.6kg



Follow Spot Light

TL-SL391



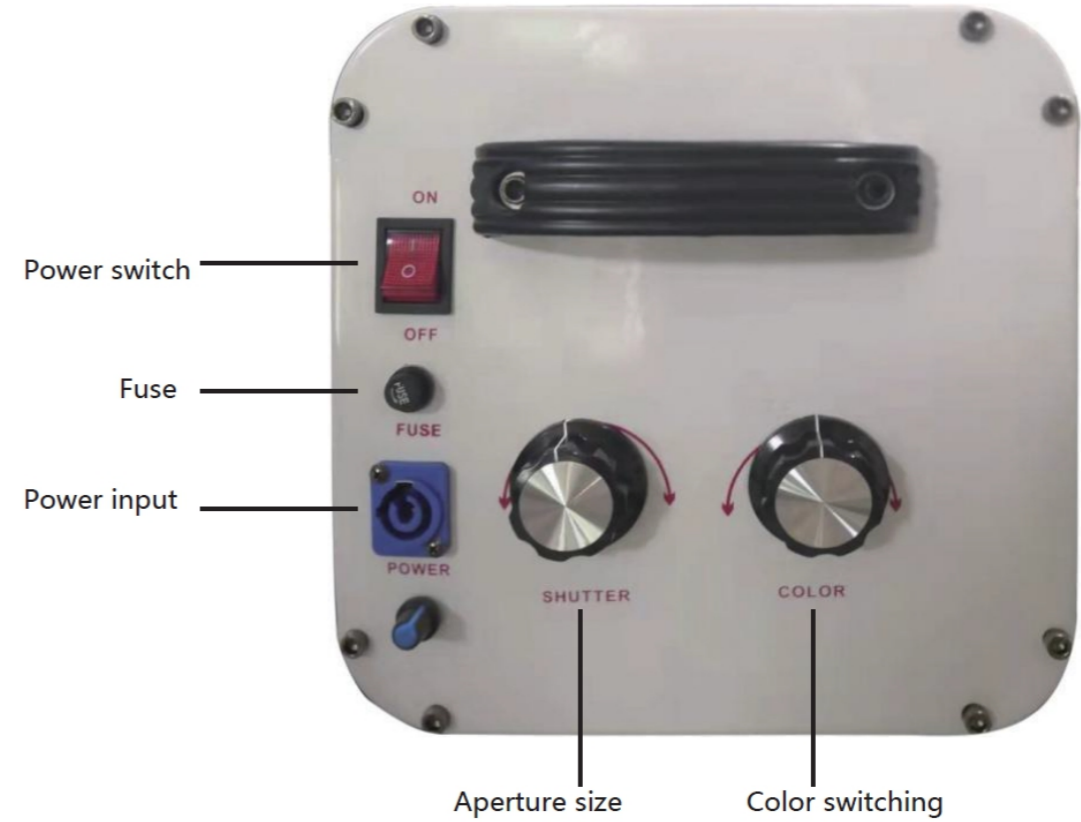
Features

1. No need to preheat, with dual focus linear zoom function. This follow light is perfect combination of humanization and industrial design, with beautiful appearance, lightweight, high illumination, uniform spot. Designed with aluminum alloy and high-temperature resistant engineering plastics, the light body possesses good heat dissipation with the use of super quiet fan cooling. The product is fully compliant with CE standards. The new high-end LED follow light is a kind of high power follow light. In the dark and half dark situation of the whole stage, it mainly uses the light pipe to highlight the actors or other special effects, or fills the light on the actor. It can be changed to a variety of different colors, featured by compact size, light weight, convenience, etc. Very suitable for weddings, large and small performances, catwalks and bars.
2. Control mode: manual, stand-alone mode
3. Optical system: high precision quartz lens aspheric surface combination
4. Aperture effect: adjustable aperture size
5. Projection distance: beam angle of 6-15° projection distance of 80 meters
6. Color: a color wheel with 5 colors (white, red, green, blue, purple, yellow)
7. Heat dissipation system: high-intensity air-cooled + pure copper heat dissipation + nano thermal conductivity + aluminum profile heat dissipation
8. Safety measures: comply with various safety standards, IP20 protection level, the power cord in line with CE20/22 level 3 standards

Specification

Supported voltage	AC90V~240V, 50Hz/60Hz
Power consumption	450W
Light source life	50000H
Control system	self-matching knob control
Control mode	stand-alone manual mode
Protection level	Ip20
Shell	aluminum alloy cladding
Net weight	20KG
Stand weight	4.5KG
Gross weight	50KG
Product dimension	940*350*450mm
Carton size	960*370*470mm
Air box size	860*540*620mm
Air box weight	25KG

Control method (as shown)



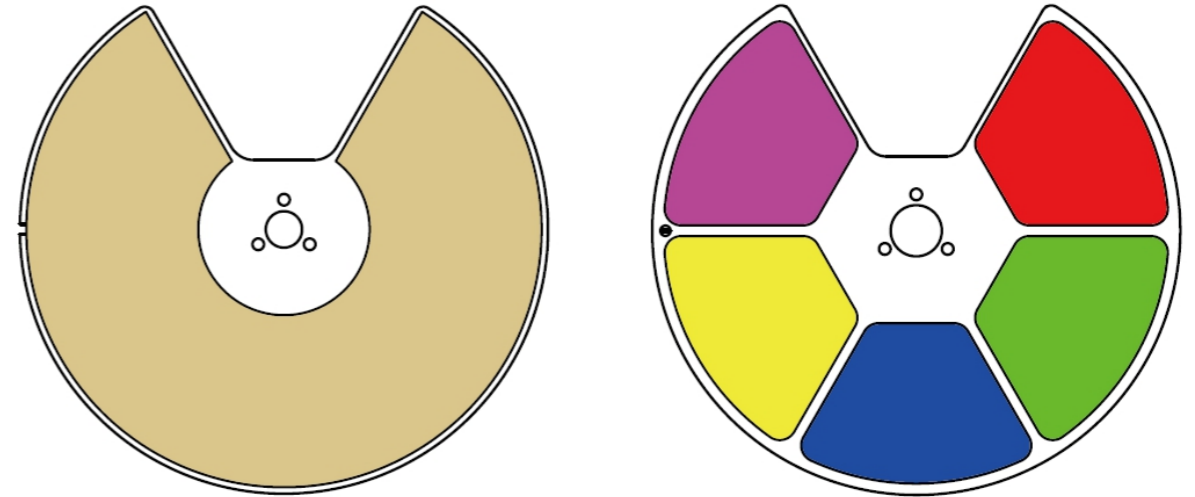


Follow Spot Light

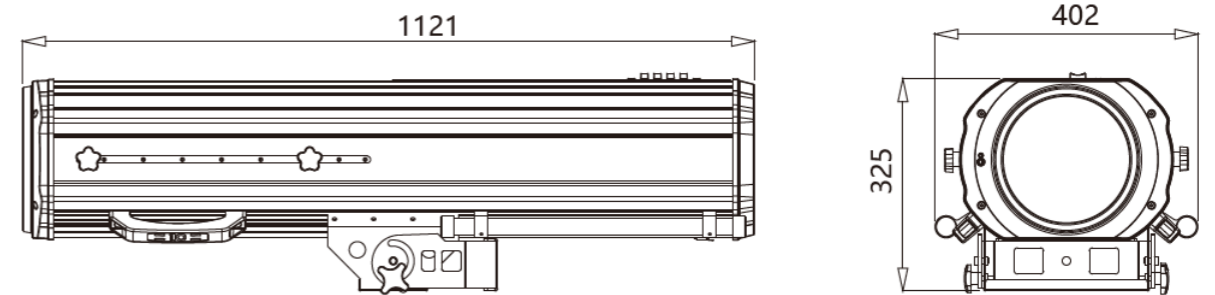
TL-SL393



Color disc



Fixture size drawing (mm)



Features

- *Color mixing system: CTO stepless linear change.
- *Color wheel: 5 colors, 1 white light.
- *Aperture function: White light linear scaling function.
- *Focus: Linear adjustment manual focus.
- *Zoom in: Manual zoom.
- *Display interface: adopts 1.5-inch LCD screen display interface.
- *Intelligent heat dissipation: Using wind direction drainage and intelligent temperature monitoring technology, built-in NTC temperature control function, when the fault causes the LED to overheat, the output power of the LED will be intelligently reduced.

Specification

Input voltage	AC110V-240V 50/60Hz 630W
LED light source	600W LED
LED light source	50000H
Color temperature	6200K
Beam angle	9~14°
Control mode	DMX512 protocol, support RDM protocol and program online update function
Channel	6 channels
Fixture material	High temperature resistant plastic + molded alloy material
Protection class	Ip30
Light size(L×W×H)	1121×402×425mm
Package size(L×W×H)	1190×470×400mm
Fixture size (L×W×H)	29.5kg
Package size (L×W×H)	27.9kg



Follow Spot Light

TL-SL396



Safety instruction

Warning: danger of serious injury or death	Warning: consult the manual before installation, power on, or repair	Warning: fatal or serious electric shock hazard	Warning: fire	Warning: hot surface is dangerous to burn, do not touch	Warning: danger of eye injury, please wear goggles	Warning: danger of hand injury, please wear gloves
Only suitable for lights directly installed on the surface of non-combustible materials	Replace all shattered protective covers	Shortest distance from the illuminated object (m)	Rated maximum ambient temperature	Indoor use only	Do not point the lens towards the sun or strong light	Operation is not allowed during running

Features

- * Color gel: 5 colors + white light.
- * Effect: atomization, heating and cooling functions.
- * Aperture: 5%-100% telescopic function.
- * Focusing: manual focusing.
- * Strobe: single strobe film.
- * Dimming: full manual dimming, 0-100% linear dimming, and 5-100% linear aperture adjustment.
- * Optics: integrated encapsulation of reflective bowl, two sets of imported optical lenses.
- * Function: variable speed fan automatically reduces the lighting power by 60W.
- * Projection distance: 50-80m.

Specification

Input voltage	AC 110-240V 50/60Hz, 350W
Light source	OSRAM 330W
Average lifespan	1000H
Channel	0
Fixture material	Aluminum alloy, stainless steel bracket
Control mode	Manual control
Protection class	Ip20
Package size (L×W×H)	740×275×330mm
Gross weight	11.1kg
Net weight	9.5kg



Follow Spot Light

TL-SL398



Safety instruction

Warning: danger of serious injury or death	Warning: consult the manual before installation, power on, or repair	Warning: fatal or serious electric shock hazard	Warning: fire	Warning: hot surface is dangerous to burn, do not touch	Warning: danger of eye injury, please wear goggles	Warning: danger of hand injury, please wear gloves
Only suitable for lights directly installed on the surface of non-combustible materials	Replace all shattered protective covers	Shortest distance from the illuminated object (m)	Rated maximum ambient temperature	Indoor use only	Do not point the lens towards the sun or strong light	Operation is not allowed during running

Features

- * Color gel: 5 colors + white light.
- * Effect: atomization, heating and cooling functions.
- * Aperture: 5%-100% telescopic function.
- * Focusing: manual focusing.
- * Strobe: single strobe film.
- * Dimming: full manual dimming, 0-100% linear dimming, and 5-100% linear aperture adjustment.
- * Optics: integrated encapsulation of reflective bowl, two sets of imported optical lenses.
- * Function: variable speed fan automatically reduces the lighting power by 60W.
- * Projection distance: 50-80m.

Specification

Input voltage	AC 110-240V 50/60Hz, 4200W
Light source	4000W xenon discharge bulb
Color temperature	5600K
Channel	/
Fixture material	Aluminum alloy, stainless steel bracket
Control mode	Manual control
Protection class	Ip20
Net weight	40kg, power box 10kg

Laser Light





30W Full Color Laser Light

TL-LT701



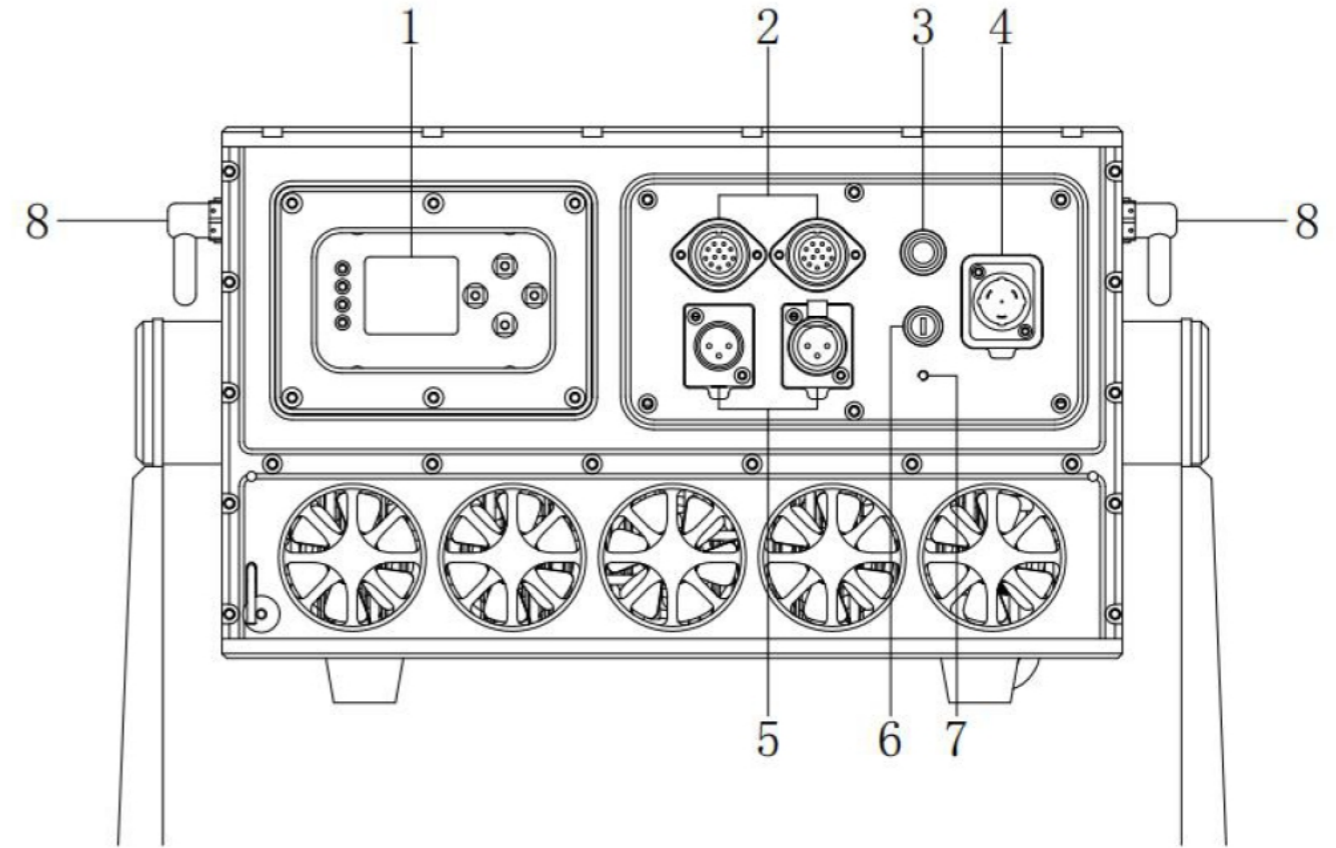
Features

- * Laser source: imported laser, high stability and long service lifespan.
- * Laser design: a power-off protection system, an excellent waterproof, dust-proof, moisture-proof, anti-corrosion, and anti-rust sealing system, and the efficient cooling area covering 50% of the cabinet.
- * Built-in American pangolin FB4 professional laser light control software, support the offline playback of the programmed beam/animation laser programs.
- * Optical platform, optical bracket, special laser lens, special laser light constant temperature device, special aluminum alloy cabinet (with good heat dissipation and corrosion resistance)
- * Full-color animation laser, and high scanning speed. The pattern will be designed with broken pen, strobe, rotating, rolling, moving, stretching, zooming, gradual drawing, speed, color and other effects, adjustable in size. And 128 built-in beams and animation patterns can be used for beam animation shows, laser advertisements, and laser projection.

Specification

Input voltage	AC 110-240V 50/60Hz, 500W
Laser	All solid-state semiconductor laser, full color 30W, R-8W *1 G-10W *1 B-12W*1
Laser tube	Nichia, Japan. Galvo scanner: DT
Scanning speed	+/-30
Galvo scanner	40kpps
Galvo angle	50° standard scanning unit and scanning drive circuit, the maximum speed is 40000PPS
Service lifespan	10,000 hours
Divergence angle	<1.2mrad
Projection distance	400 meters, 480 square meters, adjustable size of animation text. The projection distance is determined according to the environment, and an accurate value cannot be given
Cooling method	Air cooling
Control mode	Voice control/automatic DMX512 control/master-slave synchronization, ILDA interface (support ISHOW software, imported pangolin software, and phoenix software)
Software control	All ILDA signals are converted by electronic switches
Channel	5/17/18/27/52CH
Protection class	Protection Ip66
Outdoor temperature	-40°C~40°C (built-in temperature control, and automatic temperature adjustment)
Fixture size (L×W×H)	515×475×410mm
Package size (L×W×H)	550×580×625mm (flight case)
Net weight	34.9kg
Gross weight	55.5kg

Light Control Panel



No.	Interface Name
1	Menu display
2	ILDA signal interface
3	Power Indicator
4	Power in, Connect the power supply
5	DMX512 in / out interface
6	Fuse
7	Ground
8	Hanger

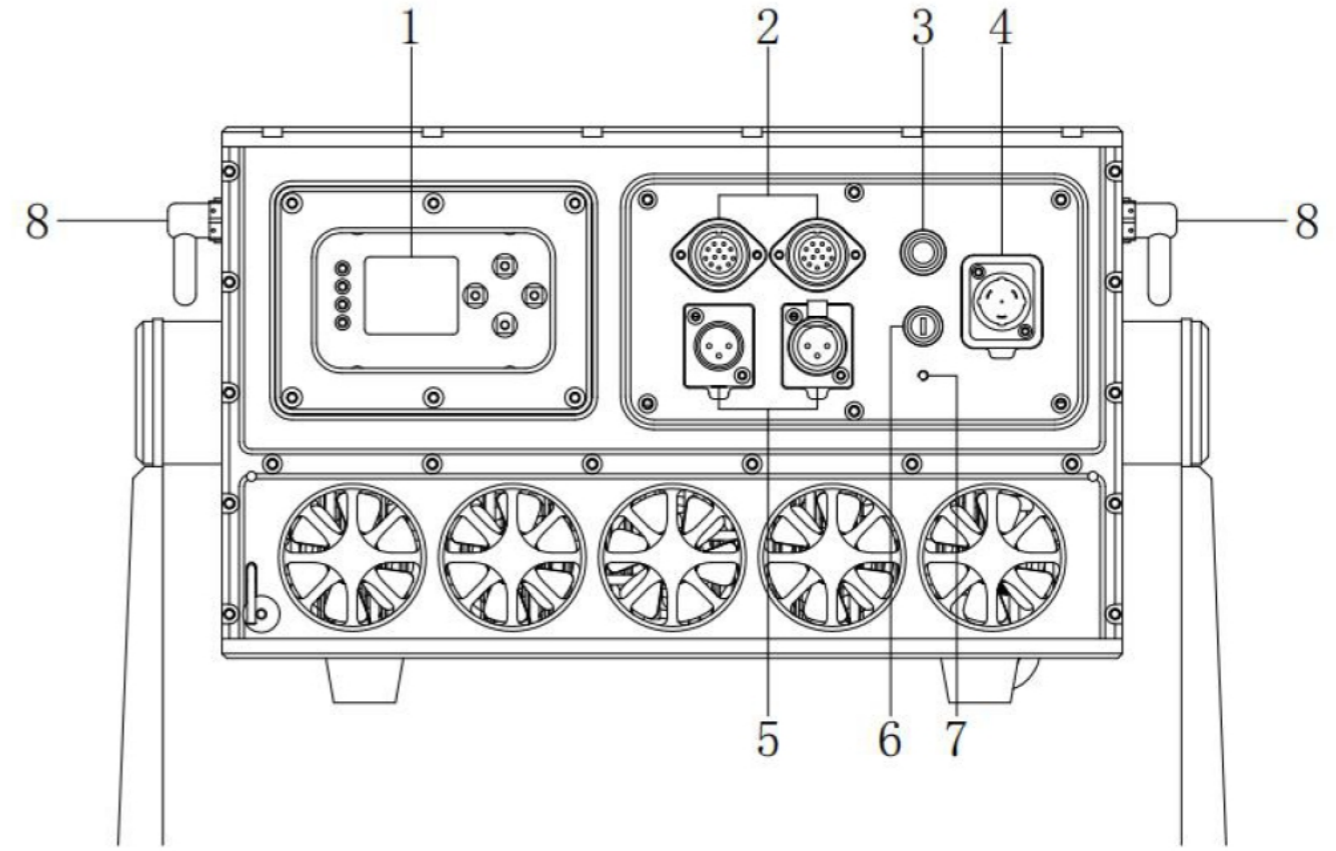


3W Single Green Laser Light

TL-SL501



Light Control Panel



Features

- * Software control: all ILDA signals are converted by electronic switches.
- * Single green animation laser, and high scanning speed. The pattern will be designed with broken pen, strobe, rotating, rolling, moving, stretching, zooming, gradual drawing, speed, color and other effects, adjustable in size. And 128 built-in beams and animation patterns can be used for beam animation shows, laser advertisements, and laser projection.

Specification

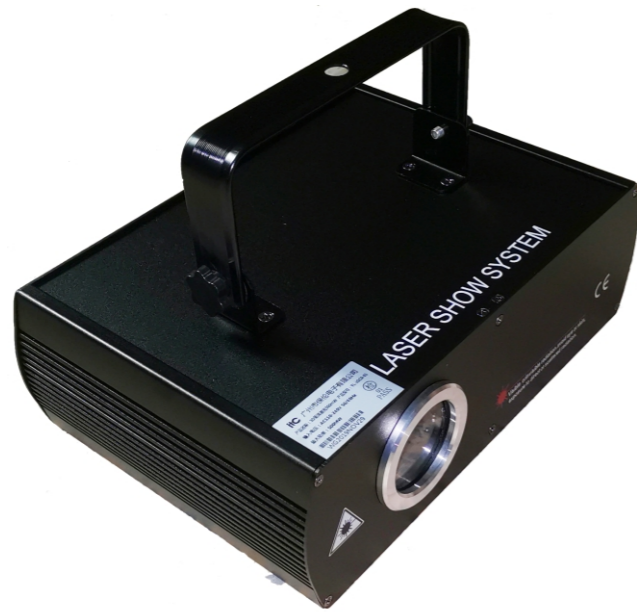
Input voltage	AC 110-240V 50/60Hz, 3000mw
Laser	Pure diode analog laser, 3000mw (G: 3000mw/532nm)
Color	Single green laser
Motor	N1.8 high precision scanner
Scanning speed	+/-30
Galvo scanner	30kpps/40kpps high-speed fiber optic scanner
Cooling method	Air cooling
Control mode	Voice control/automatic DMX512 control/master-slave synchronization, ILDA interface (support ISHOW software, imported pangolin software, and phoenix software)
DMX control function	12-channel control, black frame function, computer interface, compatible with ILDA standard computer laser show
Protection class	Ip20
Fixture size (L×W×H)	380×220×180mm
Package size (L×W×H)	430×300×260mm
Gross weight	10.1kg
Net weight	9.1kg

No.	Interface Name
1	Menu display
2	ILDA signal interface
3	Power Indicator
4	Power in, Connect the power supply
5	DMX512 in / out interface
6	Fuse
7	Ground
8	Hanger

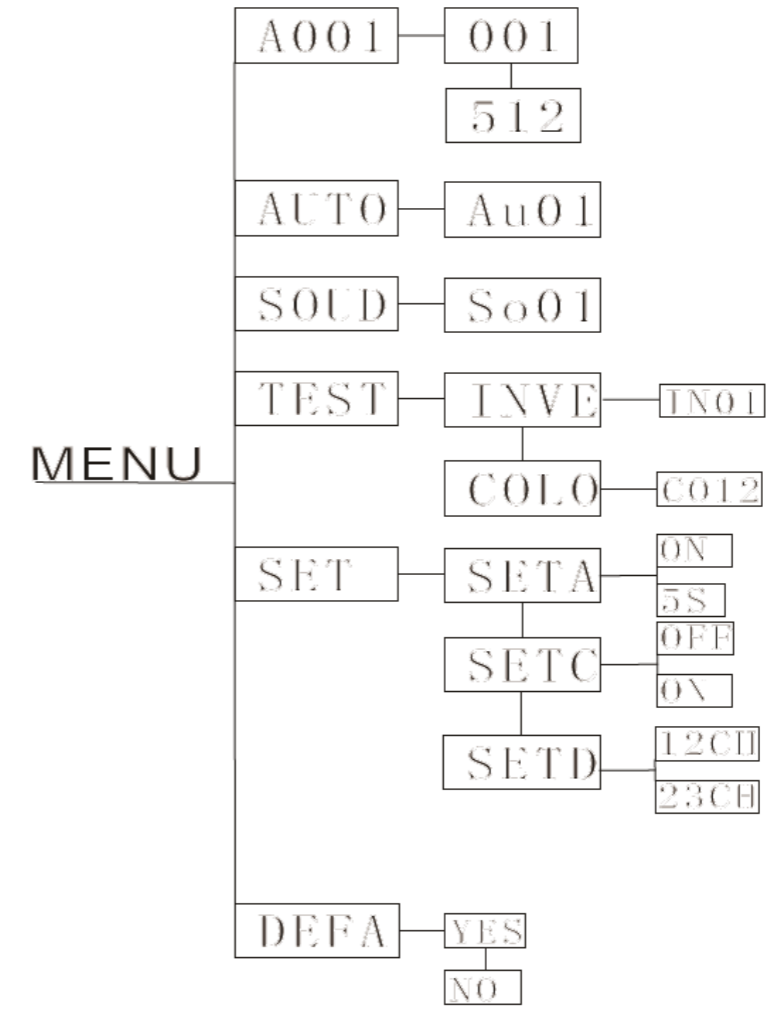


0.5W Full Color Laser Light

TL-SL531



LED Menu Settings



Features

* 15K crystal oscillator system.

Specification

Model	TL-SL531
Input voltage	AC 110-240V 50/60Hz, 500mw
Laser	R: 200mw, G: 200mw, B: 200mw
Control mode	Voice control, DMX512, self-propelled, master-slave
Channel	12CH
Protection class	Ip20
Fixture size (L×W×H)	290×240×160mm
Package size (L×W×H)	530×350×550mm (6pcs)
Gross weight	14.1kg (6pcs)
Net weight	1.7kg



1W Full Color Laser Light

TL-SL532



Features

1. Demonstration effect: The DMXs are equipped with 160 built-in pattern effects (7 sets× 20 animations) and 20 sets of animations (1 set × 20)
2. DMA special effects: The patterns can be broken, strobe, rotated, flipped, split, gradient, color changed, resized, and other functions
3. Instructions for use: A dry and dust-free environment can reduce laser power attenuation and extend the lifespan of the lamp.
4. Suitable places: Diba, bar, nightclub, KTV, family gatherings, advertising promotion, etc

Specification

Input voltage	AC 110-240V 50/60Hz, 100W
Light source	Red 300mw, Green 200w, Blue 500mw
Galvanometer	20K+high-speed scanning galvanometer, optical angle ± 25 °
Beam diameter and divergence angle	1.5mrad
Control mode	voice control/self-propelled/master-slave/DMX512
Channel	5/17/18/27/52CH
Protection level	Ip20
Lamp size (L × W × H)	268 * 223 * 131mm
Packaging size (L × W × H)	330 * 290 * 185mm
Gross weight	4.2kg
Net weight	3.6kg

Built in effect list

	DMX value	Page 1	Page 2	Page 3	Page 4	Page 5	Page 6	Page 7
Cue	0-15	invalid(black)						
Cue 1	16-27	[Pattern]	[Pattern]	[Pattern]	[Pattern]	[Pattern]	[Pattern]	[Pattern]
Cue 2	28-39	[Pattern]	[Pattern]	[Pattern]	[Pattern]	[Pattern]	[Pattern]	[Pattern]
Cue 3	40-51	[Pattern]	[Pattern]	[Pattern]	[Pattern]	[Pattern]	[Pattern]	[Pattern]
Cue 4	52-63	[Pattern]	[Pattern]	[Pattern]	[Pattern]	[Pattern]	[Pattern]	thank you
Cue 6	64-75	[Pattern]	[Pattern]	[Pattern]	[Pattern]	[Pattern]	[Pattern]	[Pattern]
Cue 6	76-87	[Pattern]	[Pattern]	[Pattern]	[Pattern]	[Pattern]	[Pattern]	[Pattern]
Cue 7	88-99	[Pattern]	[Pattern]	[Pattern]	[Pattern]	[Pattern]	[Pattern]	[Pattern]
Cue 8	100-111	[Pattern]	[Pattern]	[Pattern]	[Pattern]	[Pattern]	[Pattern]	[Pattern]
Cue 9	112-123	[Pattern]	[Pattern]	[Pattern]	[Pattern]	[Pattern]	[Pattern]	[Pattern]
Cue 10	124-135	[Pattern]	[Pattern]	[Pattern]	[Pattern]	[Pattern]	[Pattern]	[Pattern]
Cue 11	136-147	[Pattern]	[Pattern]	[Pattern]	[Pattern]	[Pattern]	[Pattern]	[Pattern]
Cue 12	148-159	[Pattern]	[Pattern]	[Pattern]	[Pattern]	[Pattern]	[Pattern]	[Pattern]
Cue 13	160-171	[Pattern]	[Pattern]	[Pattern]	[Pattern]	[Pattern]	[Pattern]	[Pattern]
Cue 14	172-183	[Pattern]	[Pattern]	[Pattern]	[Pattern]	[Pattern]	[Pattern]	[Pattern]
Cue 15	184-195	[Pattern]	[Pattern]	[Pattern]	[Pattern]	[Pattern]	[Pattern]	[Pattern]
Cue 16	196-207	[Pattern]	[Pattern]	[Pattern]	[Pattern]	[Pattern]	[Pattern]	[Pattern]
Cue 17	208-219	[Pattern]	[Pattern]	[Pattern]	[Pattern]	[Pattern]	[Pattern]	[Pattern]
Cue 18	220-231	[Pattern]	[Pattern]	[Pattern]	[Pattern]	[Pattern]	[Pattern]	[Pattern]
Cue 19	232-243	[Pattern]	[Pattern]	[Pattern]	[Pattern]	[Pattern]	[Pattern]	[Pattern]
Cue 10	244-255	[Pattern]	[Pattern]	[Pattern]	[Pattern]	[Pattern]	[Pattern]	[Pattern]



3W Full Color Laser Light

TL-SL533



Installation Notes

1. When install this equipment please make sure there's no flammable surfaces (decorated things, etc) within at least 2.5M and maintain minimum distance of 0.5M from the equipment to the walls.
2. Before installation, please confirm whether the power supply voltage you are using matches the voltage marked by the light.
3. Make sure that the ventilation fan and exhaust passage are not blocked by other equipment or decorative materials, such as newspapers, tablecloths, curtains, etc.
4. The equipment should be fixedly installed. To ensure the stability of its installation point, at least a load-bearing structure that can withstand more than ten times the weight of the product.
5. For safety reasons, this machine should be connected to a main socket with a ground wire.

Specification

Power supply	AC 110~220V 50/60Hz
Rated Power	110W
Source color	RGB
Working mode	Auto/DMX512/ master-slave/sound/ILDA
DMX Control Channel	5CH/17CH/18CH/27CH/52CH
Cool system	Intelligent fan cooling system
Working environment	indoor
Working temperature	0°C- 35°C
N.W./G.W.(2 in1)	3.6kg/9.5KG
2 in1 Package size	33*29*18.5CM/34.5*30.5*40.5CM

Built in effect list

	DMX value	Page 1	Page 2	Page 3	Page 4	Page 5	Page 6	Page 7
Cue	0-15	invalid(black)						
Cue 1	16-27	—	○	□	□	~	☆	—
Cue 2	28-39	⋯	○	□	□	~	☆	—
Cue 3	40-51		○	□	◇	~	☆	—
Cue 4	52-63	⋮	○	☀	□	~	☆	Thank you
Cue 6	64-75	⋯	○	□	□	~	☆	—
Cue 6	76-87	⋯	○	□	□	~	☆	—
Cue 7	88-99	⋯	○	□	▽	~	☆	—
Cue 8	100-111	⋯	○	□	△	~	☆	—
Cue 9	112-123	↗	○	□	☆	~	☆	—
Cue 10	124-135	⋯	○	□	☆	~	☆	—
Cue 11	136-147	⋯	○	□	☆	~	☆	—
Cue 12	148-159	⋯	○	□	☆	~	☆	—
Cue 13	160-171	⋯	○	□	☆	~	☆	—
Cue 14	172-183		○	□	☆	~	☆	—
Cue 15	184-195	—	○	□	☆	~	☆	—
Cue 16	196-207	+	○	□	☆	~	☆	—
Cue 17	208-219	⋯	○	□	☆	~	☆	—
Cue 18	220-231	↗	○	□	☆	~	☆	—
Cue 19	232-243	↗	○	□	☆	~	☆	—
Cue 10	244-255	⋯	○	□	☆	~	☆	—



Special Effects Light

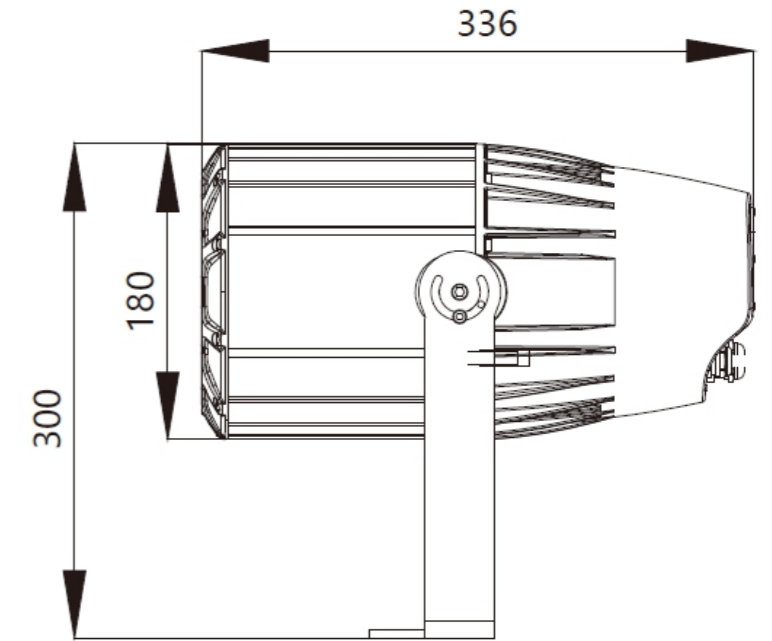
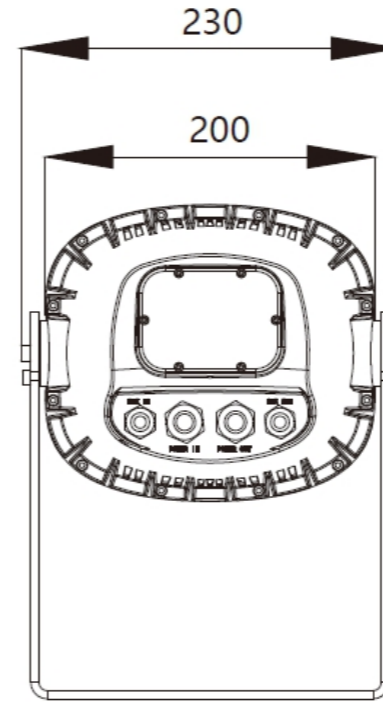


150W Fire Effect Light

TL-LT301



Product Size



Features

- * Color: a 5+1 fixed color wheel, two-way stepless rotation, magnet positioning, color index, half-color and other functions.
- * Function: fire gobo wheel and effect wheel, simulate the fire effect.
- * Electric focusing, the spot can show a variety of firelight effects with the focal length changing.
- * Dimming: 0-100% linear adjustment.
- * Strobe: electronic strobe, 0 -25 times/sec (built-in pulse stroboscopic effect).
- * DMX512 port program update, convenient and fast software upgrade via DMX data cable.
- * Over-temperature protection function: built-in NTC temperature control function. When the LED is overheated, the output power will be intelligently reduced.
- * LCD blue screen display, including the lamp usage time, software version number, etc.

Specification

Input voltage	AC 110-240V 50/60Hz, 170W
Light source	A 150W White Light LED OSRAM Chip
Average lifespan	50000H
Color temperature	7500K
Beam angle	25°/45°/70°(optional)
Control mode	Comply with the international standard DMX512 signal control protocol, 3-core (5-core optional) DMX512 signal interface; master-slave synchronous control mode, support RDM protocol and program online update function
operation modes	DMX mode, user program mode, built-in program mode
Channel	6 channels
Fixture material	High-strength die-cast aluminum alloy + copper tube radiator + a waterproof fan to assist heat dissipation
Protection class	Ip67
Working temperature	-20°C~45°C
Fixture size (L×W×H)	230×180×367mm
Package size (L×W×H)	270×250×455mm
Gross weight	7.9kg
Net weight	7.0kg

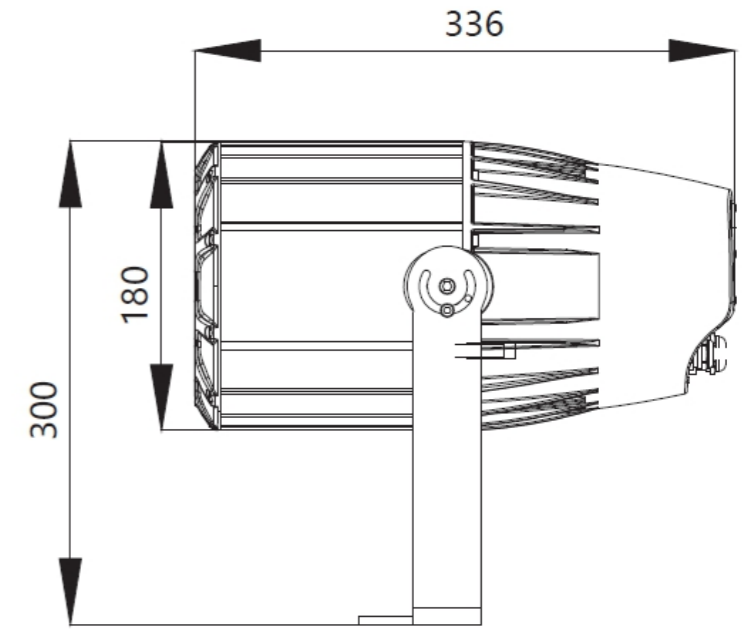
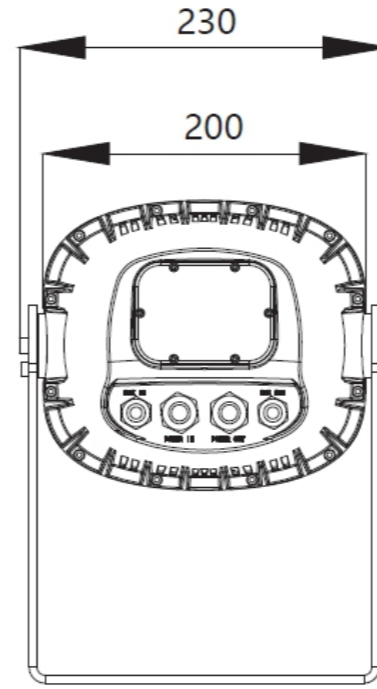


150W Phantom Light

TL-LT302



Product Size



Features

- * Color: a 5+1 fixed color wheel, two-way stepless rotation, magnet positioning, color index, half-color and other functions.
- * Function: phantom gobo wheel and effect wheel, simulate the effect of shade and sunlight.
- * Electric focusing, the spot can show a variety of firelight effects with the focal length changing.
- * Dimming: 0-100% linear adjustment.
- * Strobe: electronic strobe, 0 -25 times/sec (built-in pulse stroboscopic effect).
- * DMX512 port program update, convenient and fast software upgrade via DMX data cable.
- * Over-temperature protection function: built-in NTC temperature control function. When the LED is overheated, the output power will be intelligently reduced.
- * LCD blue screen display. The lamp usage time, software version number and others are displayed.

Specification

Input voltage	AC 110-240V 50/60Hz, 170W
Light source	A 150W White Light LED OSRAM Chip
Average lifespan	50000H
Color temperature	7500K
Beam angle	25°/45°/70°(optional)
Control mode	Comply with the international standard DMX512 signal control protocol, 3-core (5-core optional) DMX512 signal interface; master-slave synchronous control mode, support RDM protocol and program online update function
operation modes	DMX mode, user program mode, built-in program mode
Channel	6 channels
Fixture material	High-strength die-cast aluminum alloy + copper tube radiator + a waterproof fan to assist heat dissipation
Protection class	Ip67
Working temperature	-20°C~45°C
Fixture size (L×W×H)	230×180×367mm
Package size (L×W×H)	270×250×455mm
Gross weight	7.9kg
Net weight	7.0kg

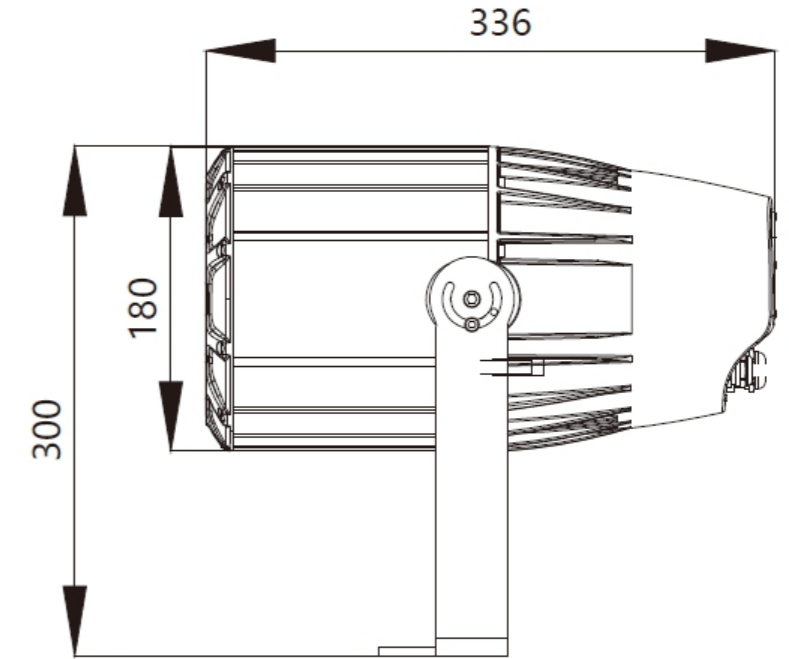
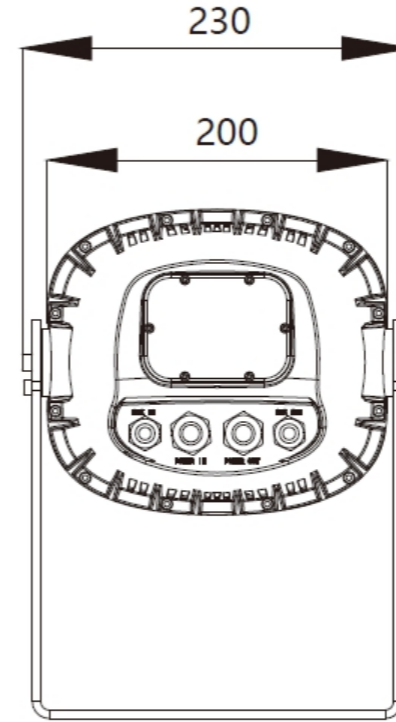


150W Blue Sky Light

TL-LT303



Product Size



Features

- 1.Function: blue sky gobo wheel, simulate the effect of floating white clouds; Electric focusing, the clarity can be remotely adjusted in different projection distance.
- 2.Dimming: 0-100% linear adjustment.
- 3.Strobe: electronic strobe, 0 -25 times/sec (built-in pulse stroboscopic effect).
- 4.DMX512 port program update, convenient and fast software upgrade via DMX data cable.
- 5.Over-temperature protection function: built-in NTC temperature control function. When the LED is overheated, the output power will be intelligently reduced.
- 6.LCD blue screen display. The lamp usage time, software version number and others are displayed.

Specification

Input voltage	AC 110-240V 50/60Hz, 170W
Light source	A 150W White Light LED OSRAM Chip
Average lifespan	50000H
Color temperature	7500K
Beam angle	15°/30°/45°/60°/70°(optional)
Control mode	Comply with the international standard DMX512 signal control protocol, 3-core (5-core optional) DMX512 signal interface; master-slave synchronous control mode, support RDM protocol and program online update function
operation modes	DMX mode, user program mode, built-in program mode
Channel	5 channels
Fixture material	High-strength die-cast aluminum alloy + copper tube radiator + a waterproof fan to assist heat dissipation
Protection class	Ip67
Working temperature	-20°C~45°C
Fixture size (L×W×H)	230×180×367mm
Package size (L×W×H)	270×250×455mm
Gross weight	10.0kg
Net weight	7.5kg

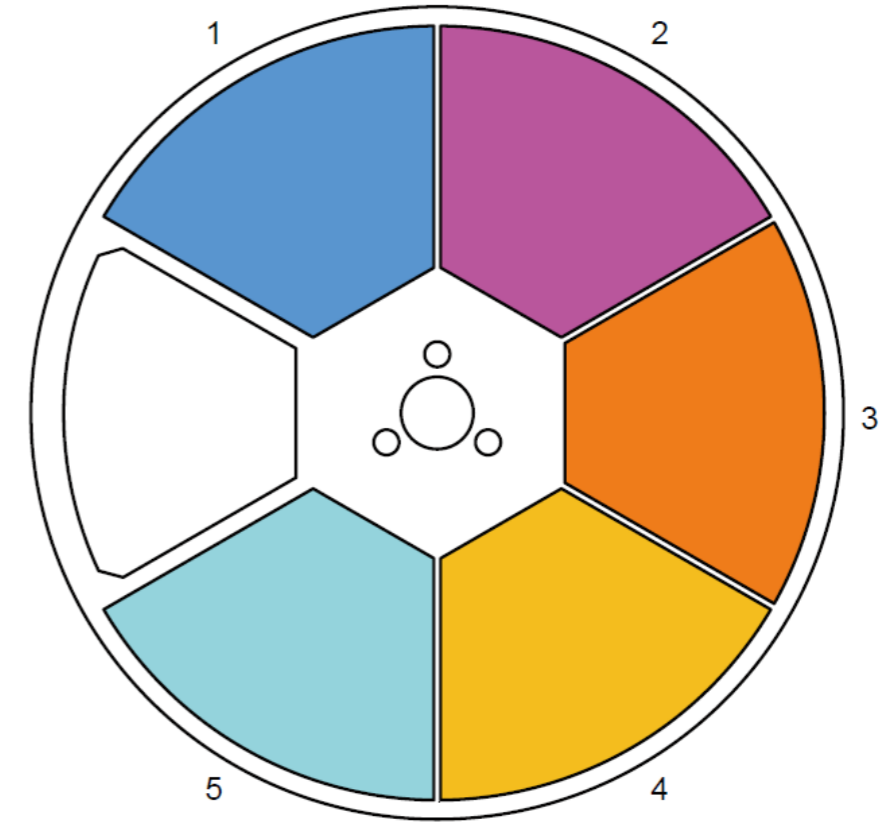


50W Effect Light

TL-LT311



Color wheel



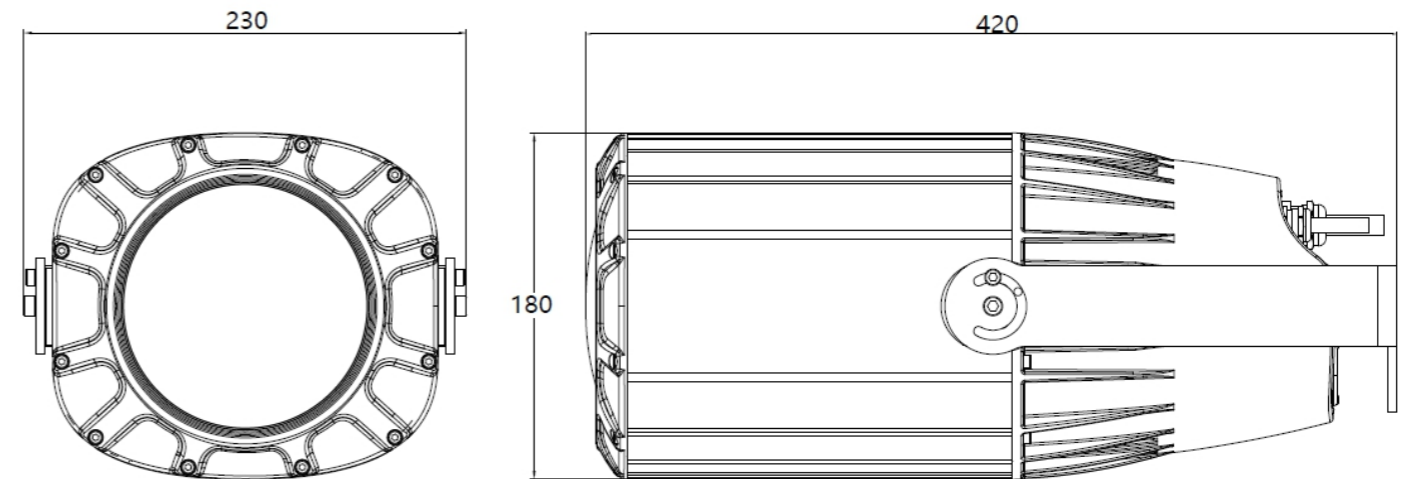
Features

- *Color: a 5+1 fixed color wheel, two-way stepless rotation, magnet positioning, color index, half-color and other functions.
- *Function: 2 dynamic effect disks, independent rotation, infinite forward and reverse, electric focus, focal length changing light spot can present a variety of dynamic effectsDimming: 0-100% linear adjustment.
- *Strobe: electronic strobe, 0 -25 times/sec (built-in pulse stroboscopic effect).
- *DMX512 port program update, convenient and fast software upgrade via DMX data cable.
- *Over-temperature protection function: built-in NTC temperature control function. When the LED is overheated, the output power will be intelligently reduced.
- *Display: LCD 1.6-inch display, including the lamp usage time, software version number, etc.

Specification

Input voltage	AC 110-240V 50/60Hz 50W
Light source	5W laser module
Average lifespan	20000H
Color temperature	RGB
Beam angle	45°(optional:15°/30°/60°
Control mode	Comply with the international standard DMX512 signal control protocol, 3-core (5-core optional) DMX512 signal interface; master-slave synchronous control mode, support RDM protocol and program online update function
operation modes	DMX mode, user program mode, built-in program mode
Channel	13/8 channel
Fixture material	High-strength die-cast aluminum alloy + copper tube radiator + a waterproof fan to assist heat dissipation
Protection class	Ip67
Working temperature	-20°C~45°C
Fixture size (L×W×H)	230×180×420mm
Package size (L×W×H)	275×255×500mm
Gross weight	9.3kg
Net weight	8.3kg

Product Size



Pattern Light



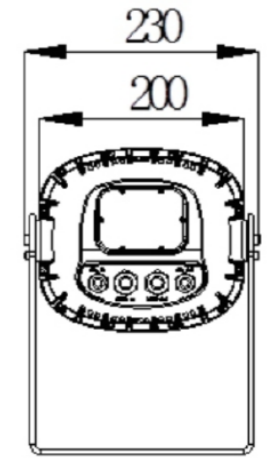
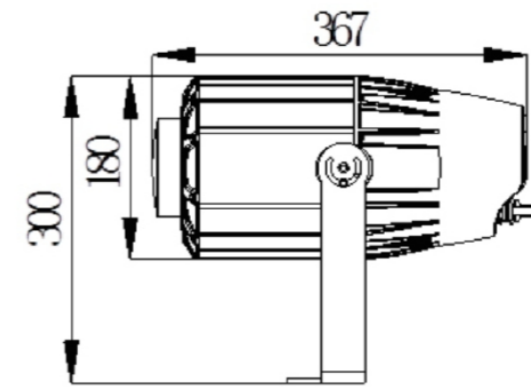
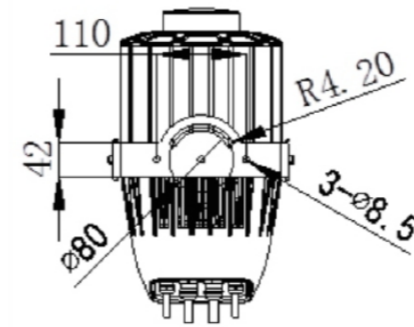


Pattern Light

TL-LT201



Fixture size drawing (mm)



Features

- * Color wheel: 5 color gels + white light, two-way stepless rotation, magnet positioning, color index, half-color and other functions.
- * Gobo wheel: 1 rotatable gobo wheel, 4 gobos; support pattern positioning, rotation, dithering, etc.
- * Dimming: 0-100% linear adjustment.
- * Strobe: electronic strobe, 0-25 times/sec (built-in pulse stroboscopic effect).
- * DMX512 port program update, convenient and fast software upgrade through DMX data cable.
- * Over-temperature protection function: built-in NTC temperature control function. When the LED is overheated, the output power will be intelligently reduced.
- * LCD blue screen display, including the lamp usage time, software version number, etc.

Specification

Input voltage	AC 110-240V 50/60Hz, 170W
Light source	A 150W White Light LED OSRAM chip
Average lifespan	50000H
Color temperature	7500K
Beam angle	15°- 45° linear focusing
Control mode	Comply with the international standard DMX512 signal control protocol, 3-pin (5-pin optional) DMX512 signal interface; master-slave synchronous control mode, support RDM protocol and program online update function
Operation mode	DMX mode, user program mode, built-in program mode
Channel	8/10 channels
Fixture material	High-strength die-cast aluminum alloy + copper tube radiator + a waterproof fan to assist heat dissipation
Protection class	Ip67
Working temperature	-20°C~45°C
Fixture size (L×W×H)	230×180×398mm
Package size (L×W×H)	270×250×455mm
Gross weight	10.8kg
Net weight	8.5kg

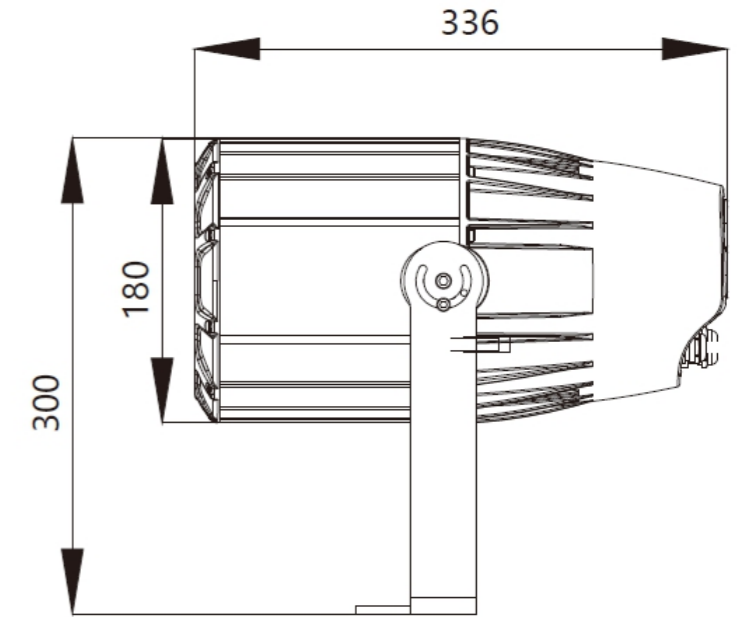
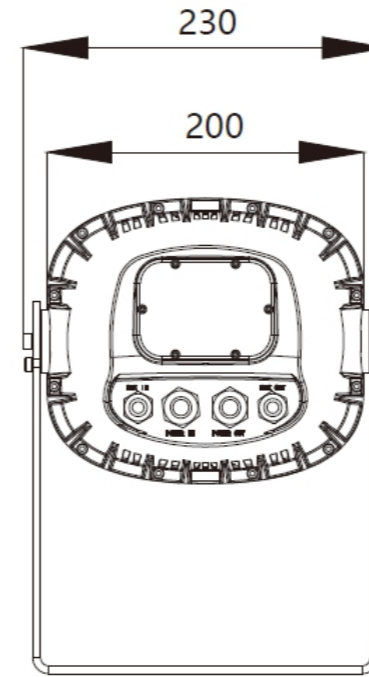


Pattern Light

TL-LT201A



Product Size



Features

- * Color wheel: 5 color gels + white light, two-way stepless rotation, magnet positioning, color index, half-color and other functions.
- * Gobo wheel: 1 rotatable gobo wheel, 4 gobos; support pattern positioning, rotation, dithering, etc.
- * Dimming: 0-100% linear adjustment.
- * Strobe: electronic strobe, 0-25 times/sec (built-in pulse stroboscopic effect).
- * DMX512 port program update, convenient and fast software upgrade through DMX data cable
- * Over-temperature protection function: built-in NTC temperature control function. When the LED is overheated, the output power will be intelligently reduced.
- * LCD blue screen display, including the lamp usage time, software version number, etc. are displayed.

Specification

Input voltage	AC 110-240V 50/60Hz, 170W
Light source	A 150W White Light LED OSRAM chip
Average lifespan	50000H
Color temperature	7500K
Beam angle	30°/45°/60° /75°(optional)
Control mode	Comply with the international standard DMX512 signal control protocol, 3-core (5-core optional) DMX512 signal interface; master-slave synchronous control mode, support RDM protocol and program online update function
Operation mode	DMX mode, user program mode, built-in program mode
Channel	7/9 channels
Fixture material	High-strength die-cast aluminum alloy + copper tube radiator + a waterproof fan to assist heat dissipation
Protection class	Ip67
Working temperature	-20°C~45°C
Fixture size (L×W×H)	230×180×367mm
Package size (L×W×H)	270×250×455mm
Gross weight	9.3kg
Net weight	8.3kg

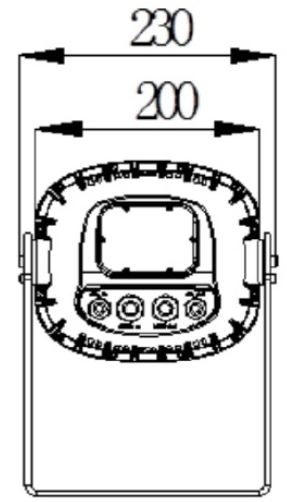
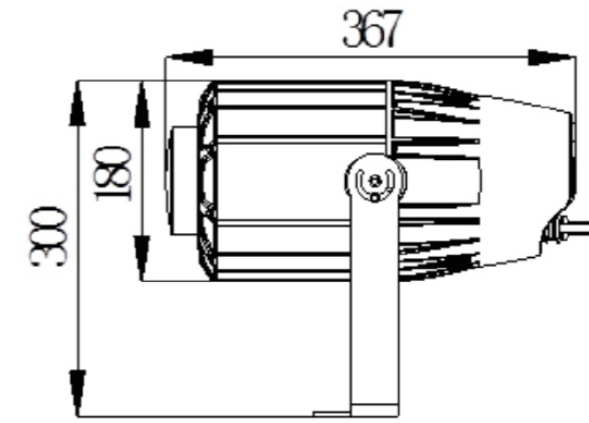
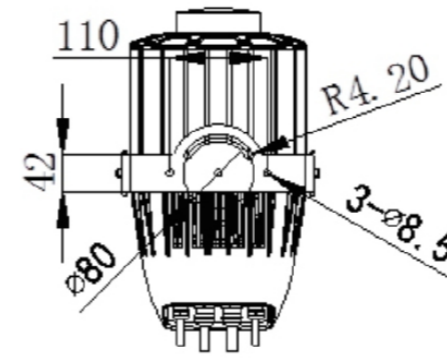


Pattern Light

TL-LT202



Product Size



Features

- * Color wheel: 5 color gels + white light, two-way stepless rotation, magnet positioning, color index, half-color and other functions.
- * Gobo wheel: 1 rotatable gobo wheel, 4 gobos; support pattern positioning, rotation, dithering, etc.
- * Dimming: 0-100% linear adjustment.
- * Strobe: electronic strobe, 0-25 times/sec (built-in pulse stroboscopic effect).
- * DMX512 port program update, convenient and fast software upgrade through DMX data cable
- * Over-temperature protection function: built-in NTC temperature control function. When the LED is overheated, the output power will be intelligently reduced.
- * LCD blue screen display, including the lamp usage time, software version number, etc.

Specification

Input voltage	AC 110-240V 50/60Hz, 240W
Light source	A 200W White Light LED OSRAM chip
Average lifespan	50000H
Color temperature	7500K
Beam angle	15°- 45°linear focusing
Control mode	Comply with the international standard DMX512 signal control protocol, 3-core (5-core optional) DMX512 signal interface; master-slave synchronous control mode, support RDM protocol and program online update function
Operation mode	DMX mode, user program mode, built-in program mode
Channel	8/10 channels
Fixture material	High-strength die-cast aluminum alloy + copper tube radiator + a waterproof fan to assist heat dissipation
Protection class	Ip67
Working temperature	-20°C~45°C
Fixture size (L×W×H)	230×180×398mm
Package size (L×W×H)	270×250×455mm
Gross weight	10.8kg
Net weight	8.5kg

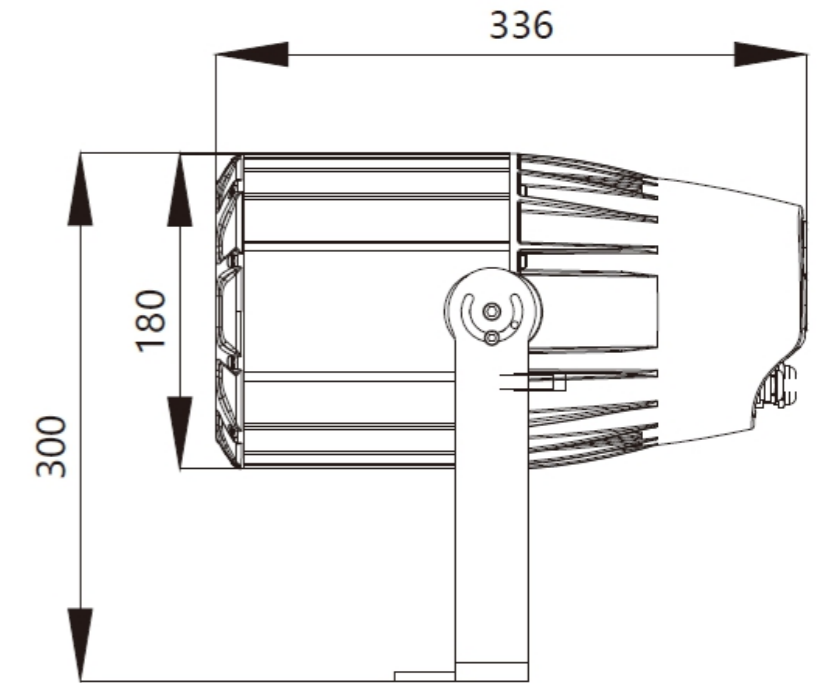
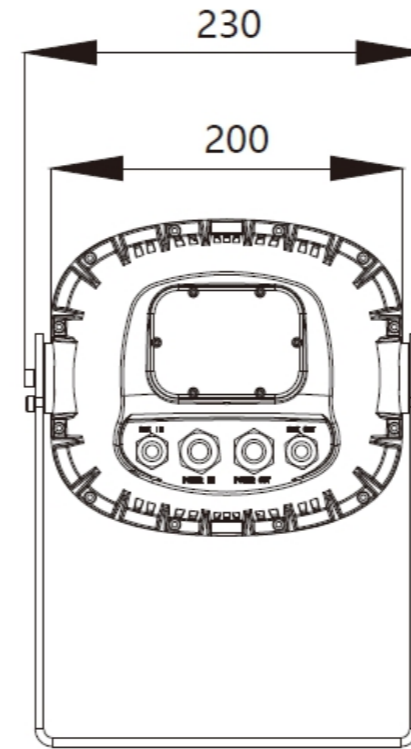


240W Fixed Pattern Light

TL-LT202A



Product Size



Features

1. Color wheel: 5 color gels + white light, two-way stepless rotation, magnet positioning, color index, half-color and other functions.
2. Gobo wheel: 1 rotating gobo wheel, 4 gobos; support pattern positioning, rotation, dithering, etc.
3. Dimming: 0-100% linear adjustment.
4. Strobe: electronic strobe, 0-25 times/sec (built-in pulse stroboscopic effect).
5. DMX512 port program update, convenient and fast software upgrade through DMX data cable
6. Over-temperature protection function: built-in NTC temperature control function. When the LED is overheated, the output power will be intelligently reduced.
7. LCD blue screen, including the display of lamp usage time, software version number, etc.

Specification

Input voltage	AC 110-240V 50/60Hz, 240W
Light source	One 200W White Light LED OSRAM chip
Average lifespan	50000H
Color temperature	7500K
Beam angle	15°/30°/45°/60° /75°(optional)
Control mode	Comply with the international standard DMX512 signal control protocol, 3-core (5-core optional) DMX512 signal interface; master-slave synchronous control mode, support RDM protocol and program online update function
Operation mode	DMX mode, user program mode, built-in program mode
Channel	7/9 channels
Fixture material	High-strength die-cast aluminum alloy + copper tube radiator + one waterproof fan for heat dissipation
Protection class	Ip67
Working temperature	-20°C~ 45 °C
Fixture size (L×W×H)	230×180×367mm
Package size (L×W×H)	270×250×455mm
Gross weight	9.3kg
Net weight	8.3kg

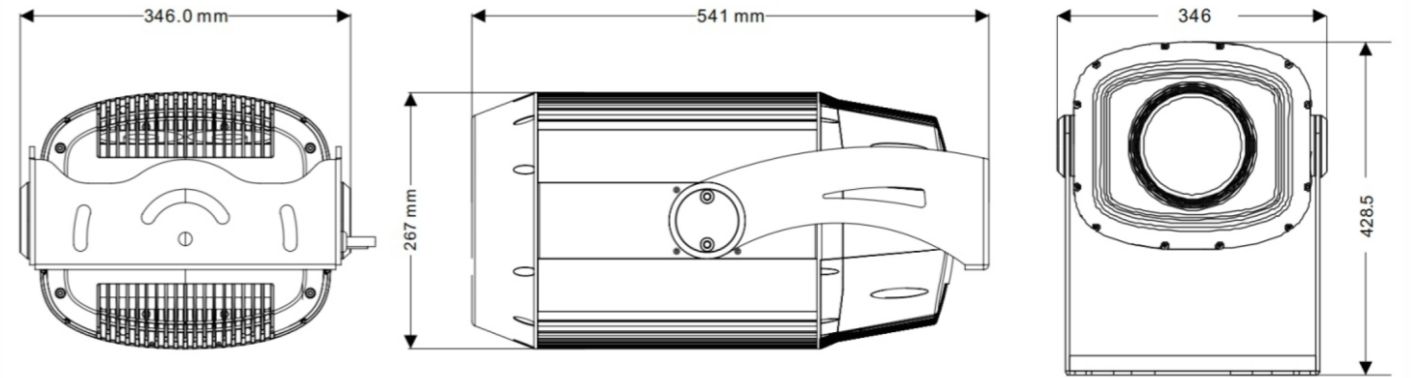


Fixed Pattern Light

TL-LT203



Product Size

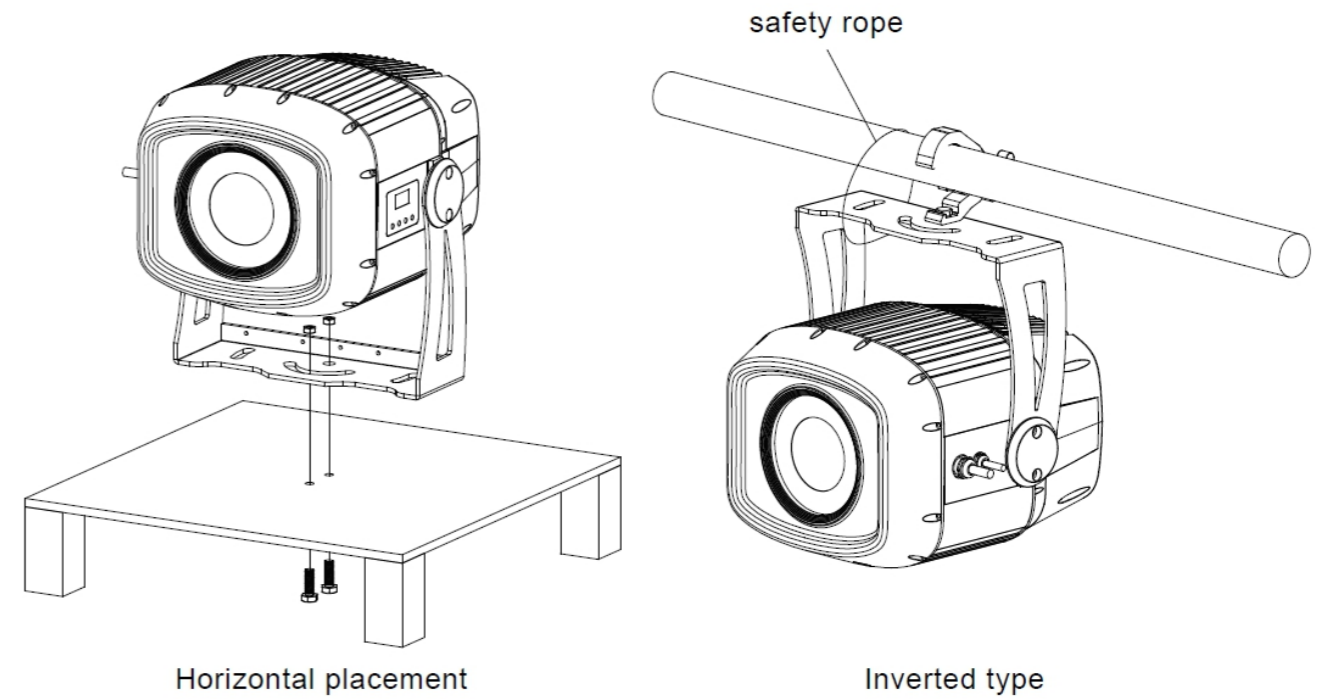


Features

- * Color wheel: 7 color gels + white light, two-way stepless rotation, magnet positioning, color index, half-color and other functions.
- * Gobo wheel: 6 rotatable gobo wheels, 6 gobos; support pattern positioning, rotation, dithering, etc.
- * Function: a dynamic effect wheel, two-way stepless rotation.
- * Prism: triangular prism, quadrilateral prism, four row lens and so on.
- * Atomization, 10%-100%.
- * Light spot changing, and high-speed electric linear zooming.
- * Dimming: 0-100% linear adjustment.
- * DMX512 port program update, convenient and fast software upgrade through DMX data cable.
- * Over-temperature protection function: built-in NTC temperature control function. When the LED is overheated, the output power will be intelligently reduced.
- * LCD blue screen display, including the lamp usage time, software version number, etc.

Specification

Input voltage	AC 110-240V 50/60Hz, 350W
Light source	A 300W White Light LED OSRAM chip
Average lifespan	50000H
Color temperature	7500K
Beam angle	5°- 50°linear focusing
Control mode	Comply with the international standard DMX512 signal control protocol, 3-core (5-core optional) DMX512 signal interface; master-slave synchronous control mode, support RDM protocol and program online update function
Operation mode	DMX mode, user program mode, built-in program mode
Channel	15 channels
Fixture material	High-resistant aluminum alloy + high temperature resistant/UV resistant engineering plastic + copper tube radiator + a waterproof fan to assist heat dissipation
Protection class	Ip67
Working temperature	-20°C~ 45 °C
Fixture size (L×W×H)	541×267×346mm
Net weight	20.5kg

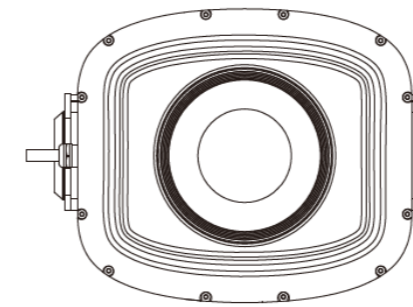
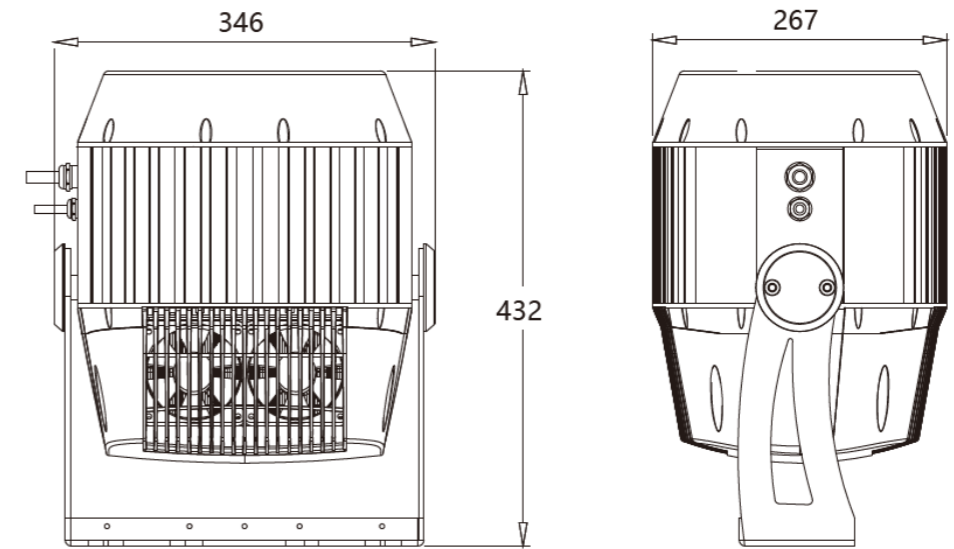
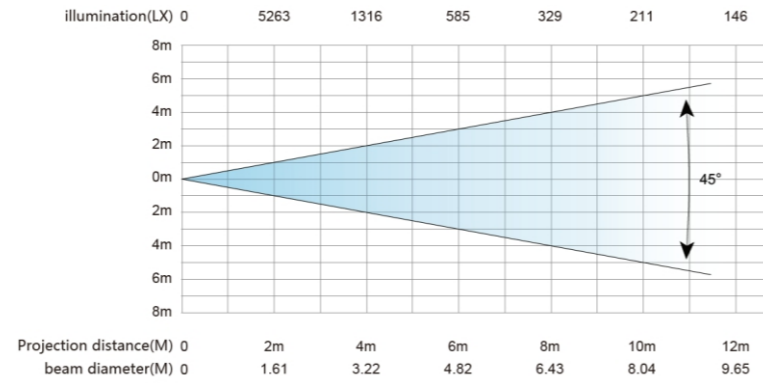




380W Fixed Pattern Light

TL-LT203A

Product Size

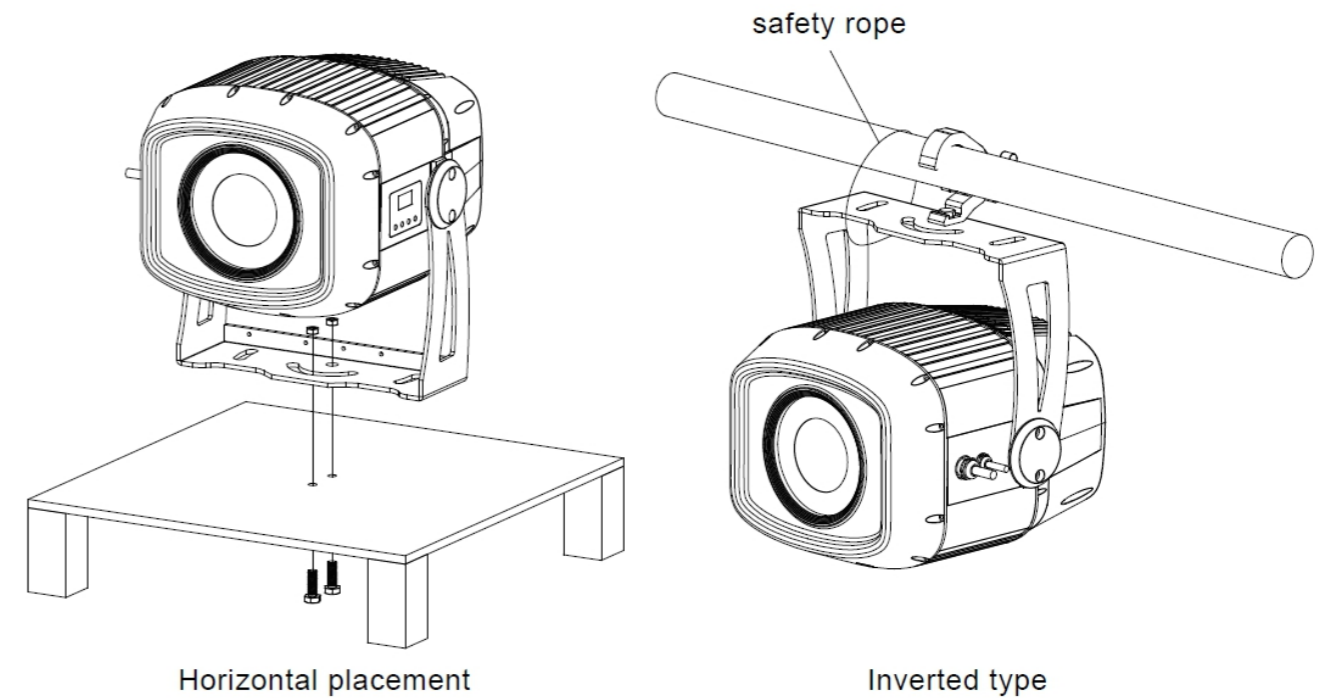


Features

1. Color wheel: 7 color gels + white light, two-way stepless rotation, magnet positioning, color index, half-color and other functions.
2. Gobo wheel: 6 rotatable gobo wheels, 6 gobos; support pattern positioning, rotation, dithering, etc.
3. Dimming: 0-100% linear adjustment.
4. Strobe: electronic strobe, 0-25 times/sec (built-in pulse stroboscopic effect).
5. Focus: electric focus.
6. DMX512 port program update, convenient and fast software upgrade through DMX data cable.
7. Over-temperature protection function: built-in NTC temperature control function. When the LED is overheated, the output power will be intelligently reduced.
8. Full-color display, including the lamp usage time, software version number, reverse display of subtitle, etc.

Specification

Input voltage	AC 100-240V 50/60Hz, 380W
Light source	300W White Light LED Module OSRAM Chip
Average lifespan	50000H
Color temperature	7500K
Beam angle	45° (15°/30°/60° optional)
Control mode	Comply with the international standard DMX512 signal control protocol, 3-core (5-core optional) DMX512 signal interface; master-slave synchronous control mode, optional RDM function
Operation mode	DMX mode, user program mode, built-in program mode
Channel	9 channels
Fixture material	High temperature resistant aluminum alloy/UV resistant engineering plastic+ copper tube radiator + waterproof fan to assist heat dissipation
Protection class	Ip67
Working temperature	-20°C~ 45 °C
Fixture size (L×W×H)	346×267×432mm
Package size (L×W×H)	405×355×515mm
Gross weight	17.1KG
Net weight	15.4KG



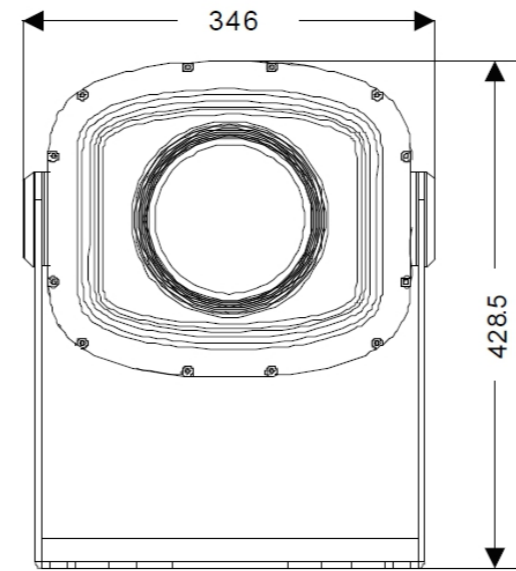
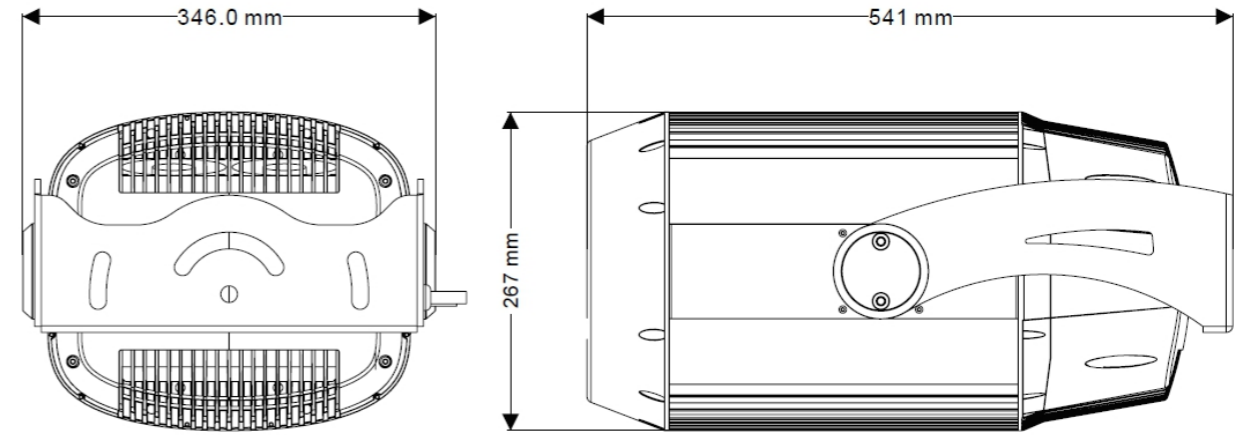


600W Zoom Pattern Light

TL-LT205



Product Size

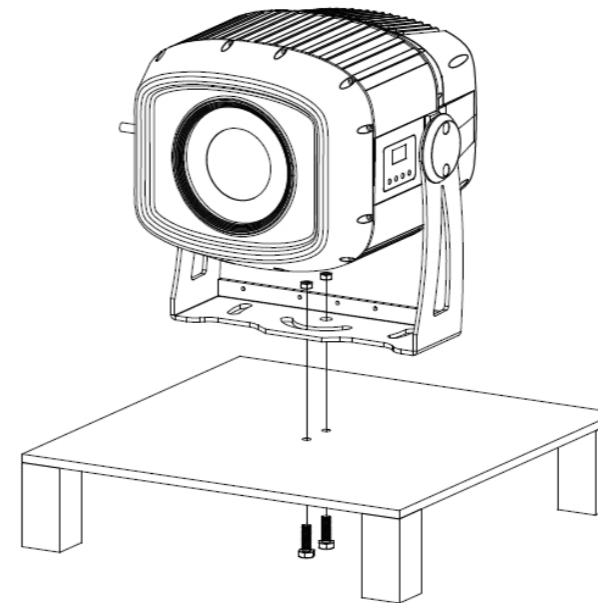


Features

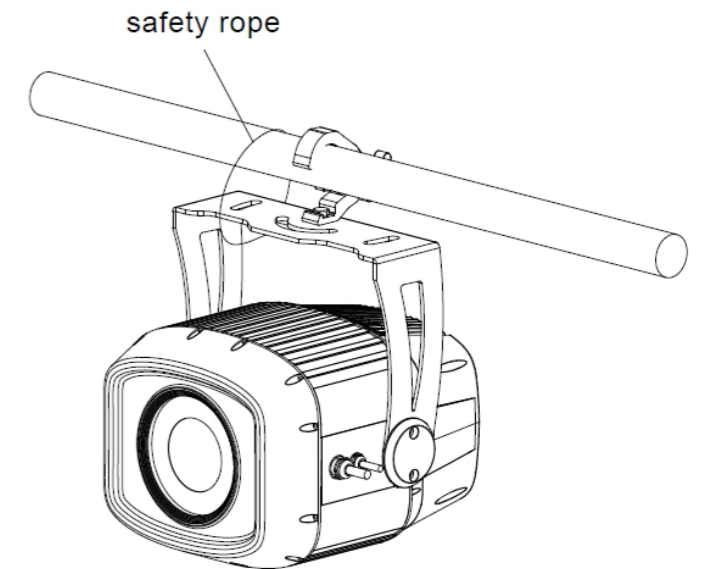
1. Color wheel: 7 color gels + white light, with two-way stepless rotation, magnet positioning, color index, half-color and other functions.
2. Gobo wheel: 1 rotating gobo wheel, 6 gobos (7 gobos optional); with gobo positioning, rotation, dithering and other effects.
3. Function: A dynamic effect wheel, two-way stepless rotation; Prism, optional triangular prism, quadrangular prism, four row lens, etc. Atomization, 10%-100%; Spot change, high-speed motorized linear zoom;
4. Dimming: 0-100% linear adjustment.
5. DMX512 port program update, convenient software upgrade through DMX data cable.
6. Overheat protection function: Built-in NTC temperature control function, when the LED is overheated, it will intelligently reduce the output power of the LED.
7. With a full-color TFT screen, it can display the lamp usage time, software version number, etc.

Specification

Input voltage	AC 110-240V 50/60Hz, 600W
Light source	550W White LED OSRAM Chip
Average lifespan	50000H
Color temperature	7500K
Beam angle	5° - 50° linear adjustment
Control mode	Comply with the international standard DMX512 protocol, 3-core (5-core optional) DMX512 signal interface; master-slave synchronous control mode, support RDM protocol and program online update function
Operation mode	DMX mode, user program mode, built-in program mode
Channel	15 channels
Fixture material	High temperature resistant aluminum alloy + high temperature resistant/ul-traviolet resistant engineering plastic + copper tube radiator + 1 waterproof fan for heat dissipation
Protection class	Ip67
Working temperature	-20°C~ 45 °C
Fixture size (L×W×H)	541×346×267mm
Package size (L×W×H)	405×355×690mm
Gross weight	28.1KG
Net weight	26KG



Horizontal placement



Inverted type

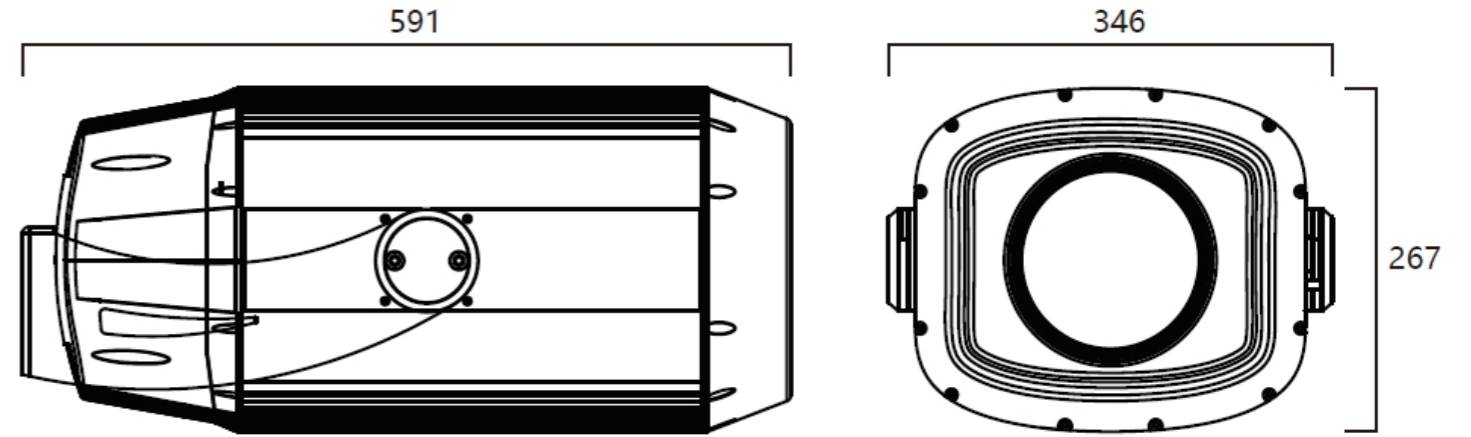


700W Zoom Pattern Light

TL-LT206



Product Size

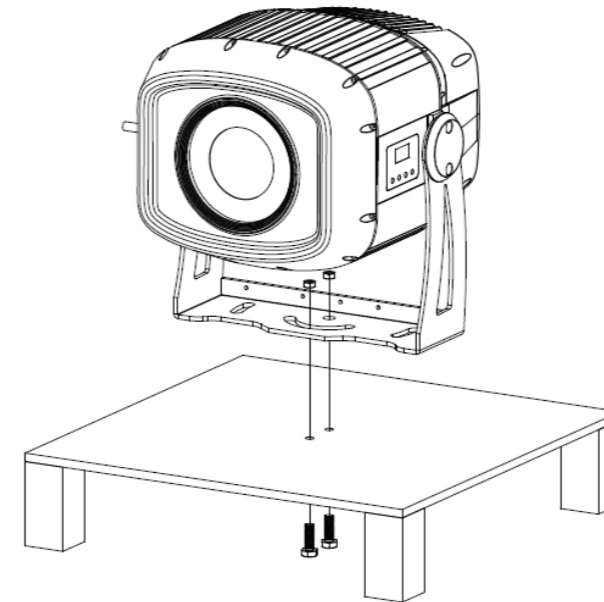


Features

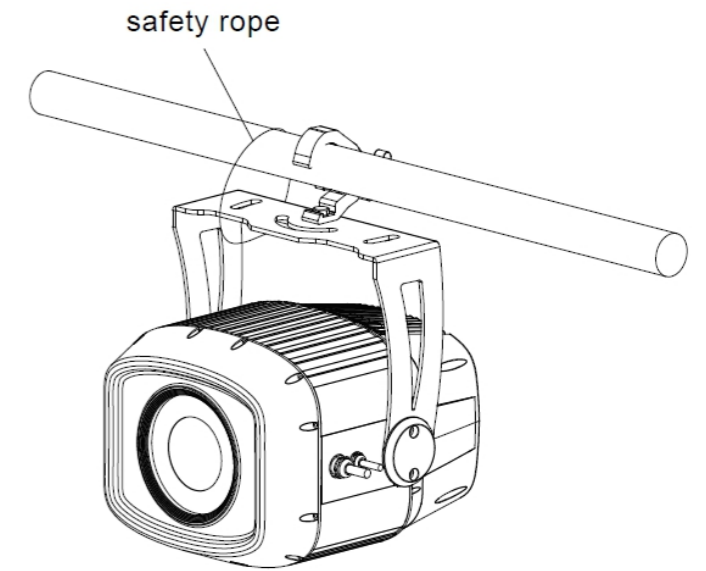
1. Color wheel: 7 color gels + white light, two-way stepless rotation, magnet positioning, color index, half-color and other functions.
2. Gobo wheel: 6 rotatable gobo wheels, 6 gobos; support pattern positioning, rotation, dithering, etc.
3. Function: 1 dynamic effect wheel, two-way stepless rotation. Prism: triangular prism, quadrilateral prism, four row lens and so on. Atomization, 10%-100%. Light spot changing, and high-speed electric linear focusing.
4. Dimming: 0-100% linear adjustment.
5. DMX512 port program update, convenient and fast software upgrade through DMX data cable.
6. Over-temperature protection function: built-in NTC temperature control function. When the LED is overheated, the output power will be intelligently reduced.
7. LCD blue screen display, including the lamp usage time, software version number, etc.

Specification

Input voltage	AC 110-240V 50/60Hz, 800W
Light source	One 650W white LED OSRAM chip
Average lifespan	50000H
Color temperature	7500K
Beam angle	5° - 50° linear zoom
Control mode	Comply with the international standard DMX512 signal control protocol, 3-core (5 cores optional) DMX512 signal interface; master-slave synchronous control mode, support RDM protocol and program online update function
Three operation modes	DMX mode, user program mode, built-in program mode
Channel	15 channels
Fixture material	high-resistant aluminum alloy + high temperature resistant / anti-ultraviolet light engineering plastic + copper tube radiator + 1 waterproof fan
Protection class	Ip67
Working temperature	-20°C~ 45 °C
Fixture size (L×W×H)	591×346×267mm
Package size (L×W×H)	405×355×690mm
Gross weight	28.1KG
Net weight	26KG



Horizontal placement



Inverted type

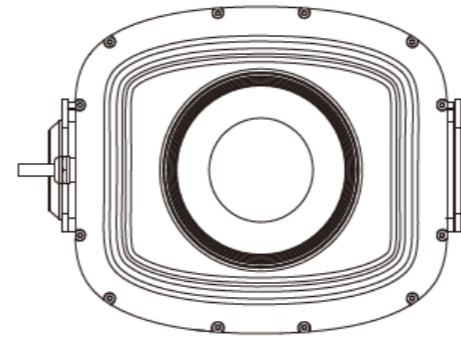
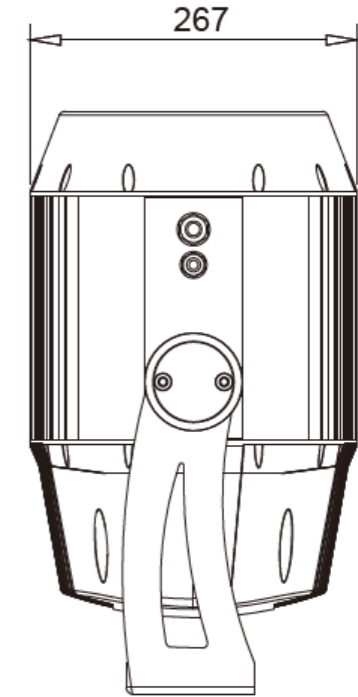
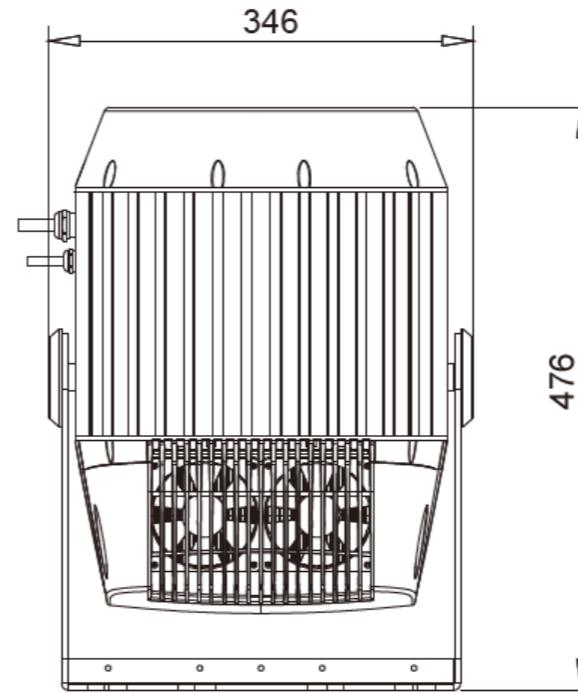


800W Zoom Pattern Light

TL-LT206A



Product Size

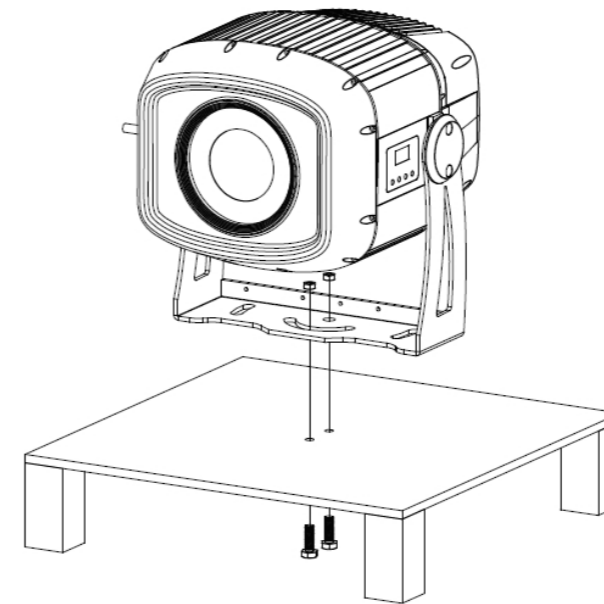


Features

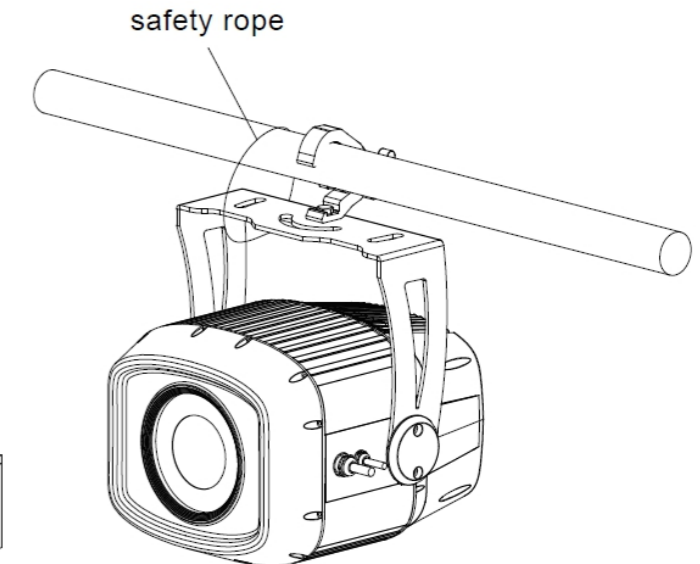
- * Color wheel: 7 color gels + white light, two-way stepless rotation, magnet positioning, color index, half-color and other functions.
- * Gobo wheel: 6 rotatable gobo wheels, 6 gobos; support pattern positioning, rotation, dithering, etc.
- * Dimming: 0-100% linear adjustment.
- * Strobe: electronic strobe, 0-25 times/sec (built-in pulse stroboscopic effect).
- * Focus: electric focus.
- * DMX512 port program update, convenient and fast software upgrade through DMX data cable.
- * Over-temperature protection function: built-in NTC temperature control function. When the LED is overheated, the output power will be intelligently reduced.
- * Full-color display, including the lamp usage time, software version number, reverse display of subtitle, etc.

Specification

Input voltage	AC 100-240V 50/60Hz, 800W
Light source	650W White Light LED Module OSRAM Chip
Average lifespan	50000H
Color temperature	7500K
Beam angle	45° (15°/30°/60° optional)
Control mode	Comply with the international standard DMX512 signal control protocol, 3-core (5-core optional) DMX512 signal interface;
Operation mode	master-slave synchronous control mode, optional RDM function DMX mode, user program mode, built-in program mode
Channel	11 channels
Fixture material	High temperature resistant aluminum alloy/UV resistant engineering plastic + copper tube radiator + waterproof fan to assist heat dissipation
Protection class	Ip67
Working temperature	-20°C~45 °C
Fixture size (L×W×H)	346×267×476mm
Packaging size (L×W×H)	405×355×565mm
Gross weight	21.8KG
Net weight	20.1KG



Horizontal placement



Inverted type

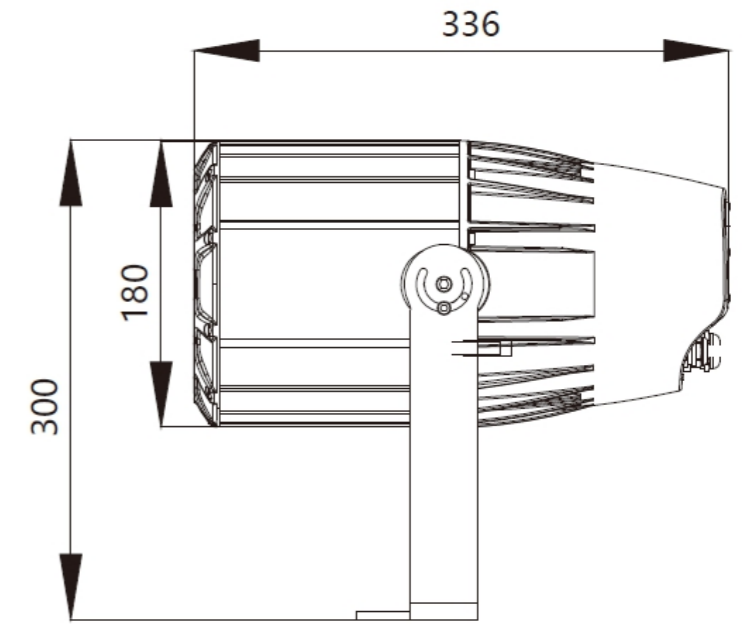
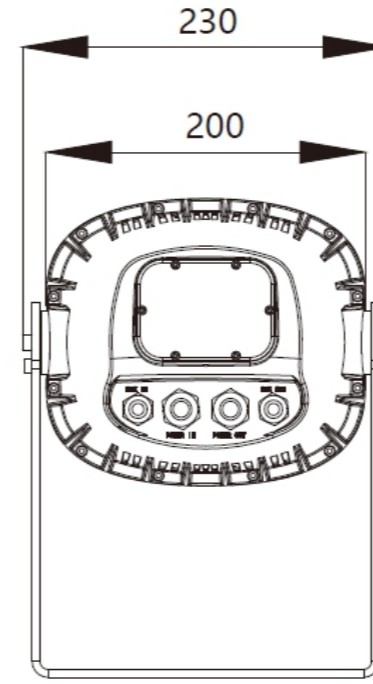


Pattern Light

TL-LT208A



Product Size

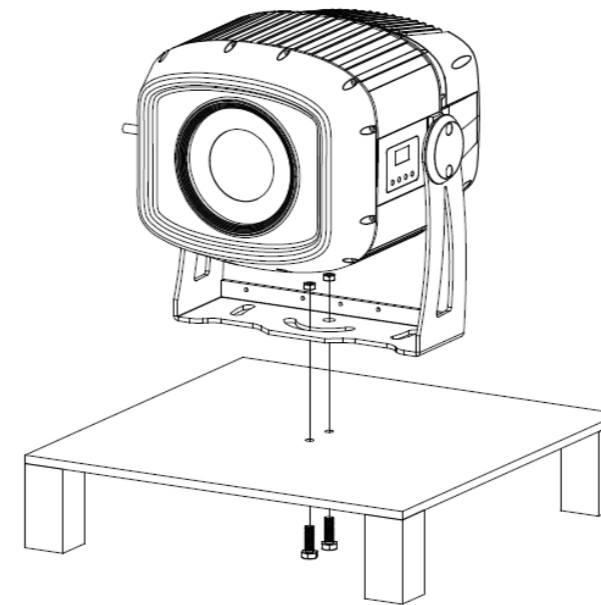


Features

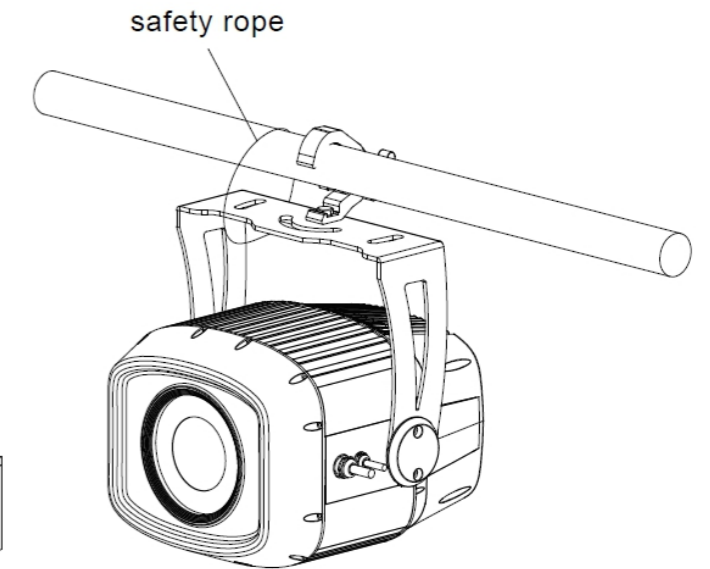
- * Color wheel: 5 color gels + white light, two-way stepless rotation, magnet positioning, color index, half-color and other functions,
- * Gobo wheel: 1 rotatable gobo wheel, 4 gobos; support pattern positioning, rotation, dithering, etc.
- * Dimming: 0-100% linear adjustment.
- * Strobe: electronic strobe, 0-25 times/sec (built-in pulse stroboscopic effect).
- * DMX512 port program update, convenient and fast software upgrade through DMX data cable.
- * Over-temperature protection function: built-in NTC temperature control function. When the LED is overheated, the output power will be intelligently reduced.
- * LCD blue screen display, including the lamp usage time, software version number, etc.

Specification

Input voltage	AC 110-240V 50/60Hz, 100W
Light source	A 80W White Light LED OSRAM chip
Average lifespan	50000H
Color temperature	7500K
Beam angle	30°/45°/60° /75°(optional)
Control mode	Comply with the international standard DMX512 signal control protocol, 3-core (5-core optional) DMX512 signal interface; master-slave synchronous control mode, support RDM protocol and program online update function
Operation mode	DMX mode, user program mode, built-in program mode
Channel	8/6 channels
Fixture material	High-strength die-cast aluminum alloy + copper tube radiator + a waterproof fan to assist heat dissipation
Protection class	Ip67
Working temperature	-20°C~ 45 °C
Fixture size (L×W×H)	230×180×367mm
Package size (L×W×H)	270×250×455mm
Gross weight	9.3kg
Net weight	8.3kg



Horizontal placement



Inverted type



Pattern Light

TL-LT210



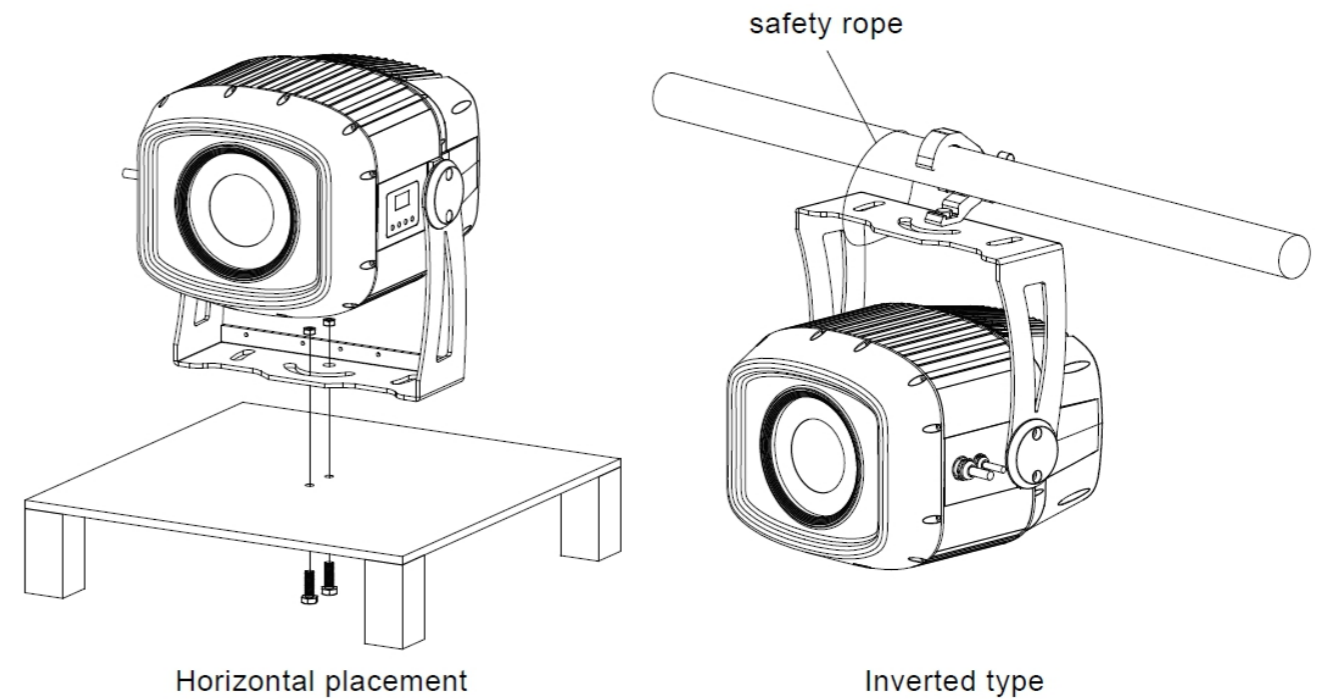
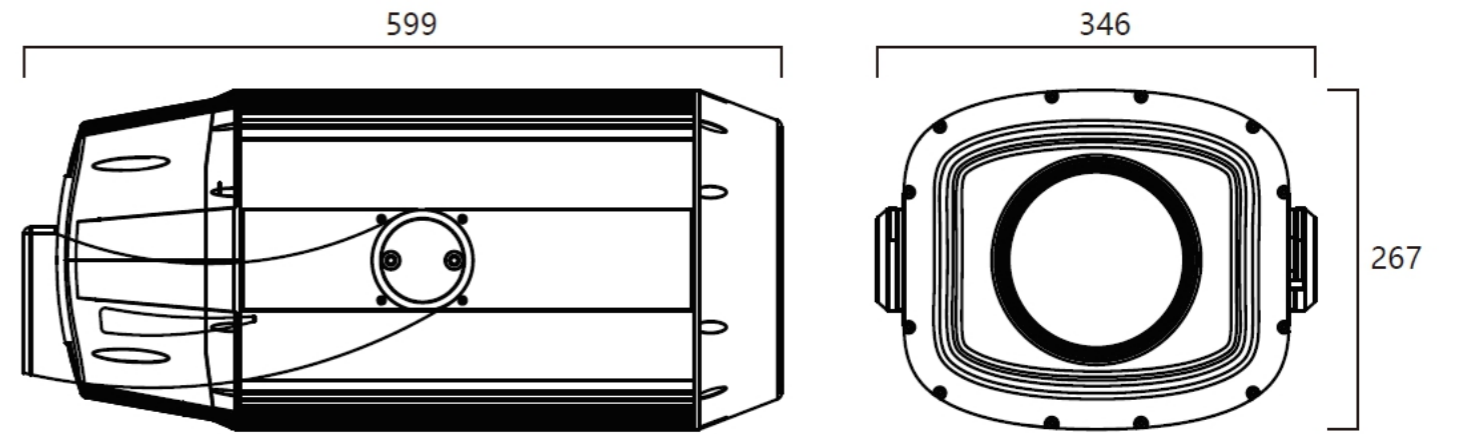
Features

1. Color wheel: 7 color gels + white light, two-way stepless rotation, magnet positioning, color index, half-color and other functions.
2. Gobo wheel: 1 rotatable gobo wheel, 6 gobos (7 gobos optional); support pattern positioning, rotation, dithering, etc.
3. Function: 1 dynamic effect wheel, two-way stepless rotation. Prism: triangular prism, quadrilateral prism, four row lens and so on. Atomization, 10%-100%. Light spot changing, and high-speed electric linear focusing.
4. Dimming: 0-100% linear adjustment.
5. DMX512 port program update, convenient and fast software upgrade through DMX data cable.
6. Over-temperature protection function: built-in NTC temperature control function. When the LED is overheated, the output power will be intelligently reduced.
7. LCD blue screen display, including the lamp usage time, software version number, etc.

Specification

Input voltage	AC 110-240V 50/60Hz, 1300W
Light source	One 1050W White Light LED OSRAM chip
Average lifespan	50000H
Color temperature	7500K
Beam angle	5°- 50°linear zoom
Control mode	Comply with the international standard DMX512 signal control protocol, 3-core (5 cores optional) DMX512 signal interface; master-slave synchronous control mode, support RDM protocol and program online update function
Three operation modes	DMX mode, user program mode, built-in program mode
Channel	15 channels
Fixture material	High-resistant aluminum alloy + high temperature resistant/UV resistant engineering plastic + copper tube radiator + a waterproof fan
Protection class	Ip67
Working temperature	-20°C~45°C
Fixture size (L×W×H)	599×346×267mm
Package size (L×W×H)	405×355×690mm
Gross weight	28.1KG
Net weight	26KG

Product Size



Water Effect Light



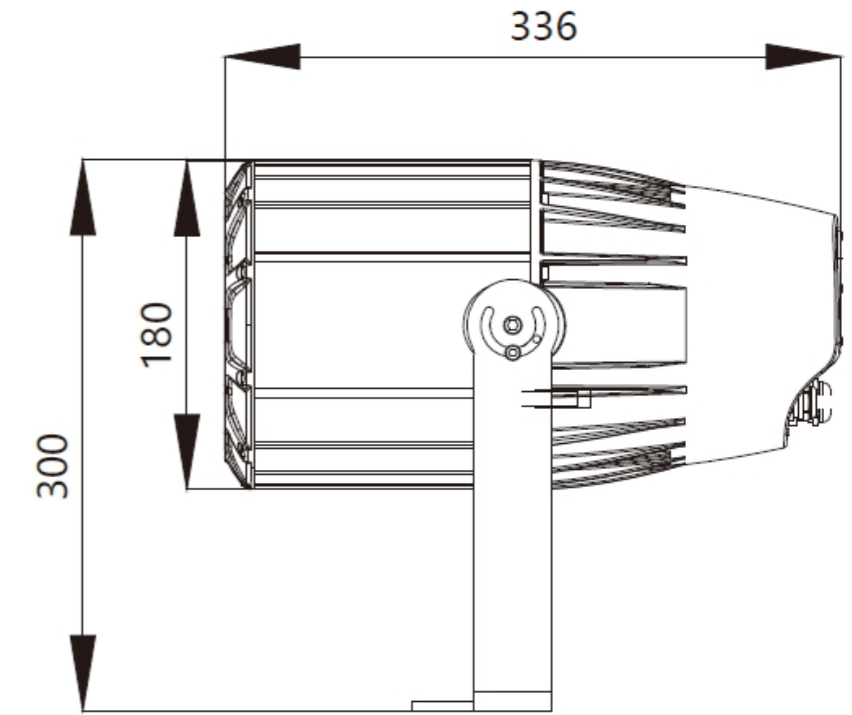
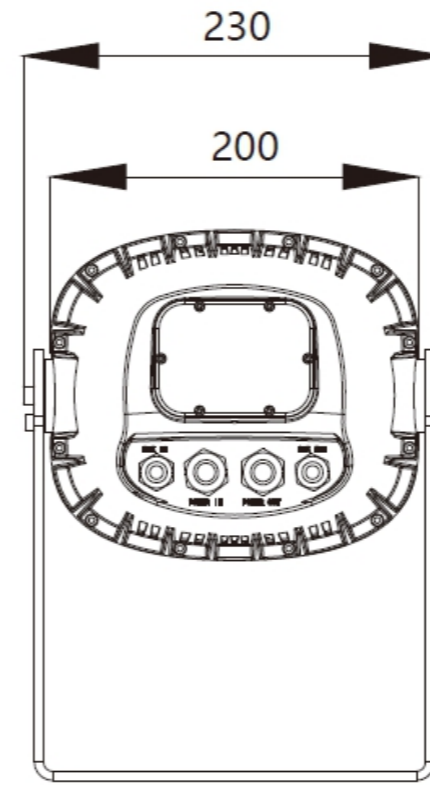


150W Water Effect Light

TL-LT101



Product Size



Features

1. Color: one 5+1 fixed color wheel, two-way stepless rotation, magnet positioning, color index, half-color and other functions.
2. Function: 2 water gobo wheels, independent rotation, two-way stepless rotation, electric focusing, the spot can show various water ripple effects with the focal length changing.
3. Dimming: 0-100% linear adjustment.
4. Strobe: electronic strobe, 0-25 times/sec (built-in pulse stroboscopic effect).
5. DMX512 port program update, convenient and fast software update via DMX data cable.
6. Over-temperature protection function: built-in NTC temperature control function; when the LED is overheated, the output power will be intelligently reduced.
7. LCD blue screen display. The lamp usage time, software version number and others are displayed.

Specification

Input voltage	AC 110-240V 50/60Hz, 170W
Light source	One 150W white light LED OSRAM chip
Average lifespan	50000H
Color temperature	7500K
Beam angle	15°/30°/45°/60°/70° (optional)
Control mode	Comply with the international standard DMX512 signal control protocol, 3-core (5-core optional) DMX512 signal interface; master-slave synchronous control mode, support RDM protocol and program online update function
Operation mode	DMX mode, user program mode, built-in program mode
Channel	7 channels
Fixture material	High-strength die-cast aluminum alloy + copper tube radiator + 1 waterproof fan to assist heat dissipation
Protection class	Ip67
Working temperature	-20°C~45 °C
Fixture size (L×W×H)	230×180×367mm
Package size (L×W×H)	270×250×455mm
Gross weight	7.9kg
Net weight	7.0kg

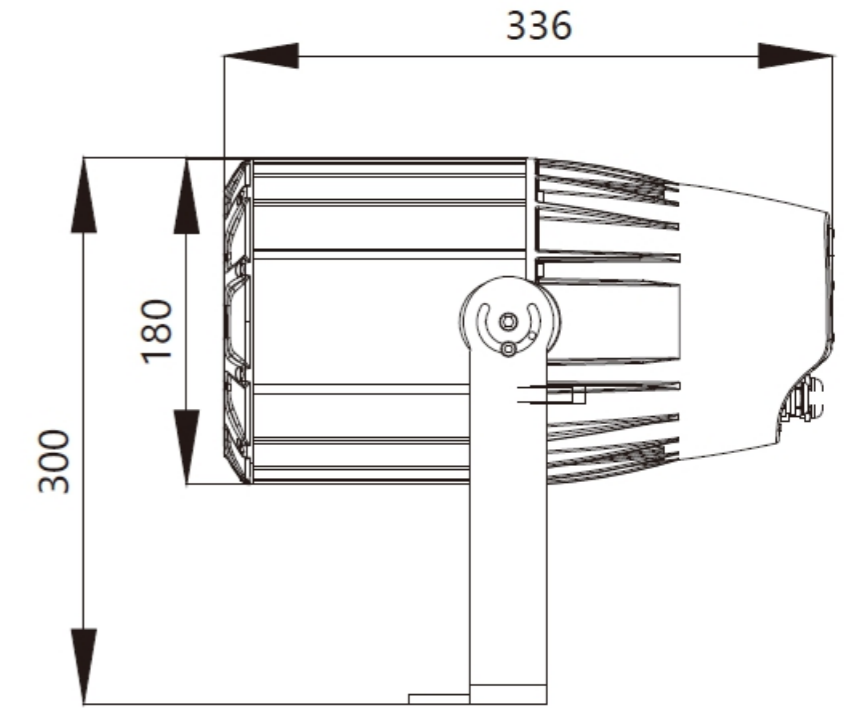
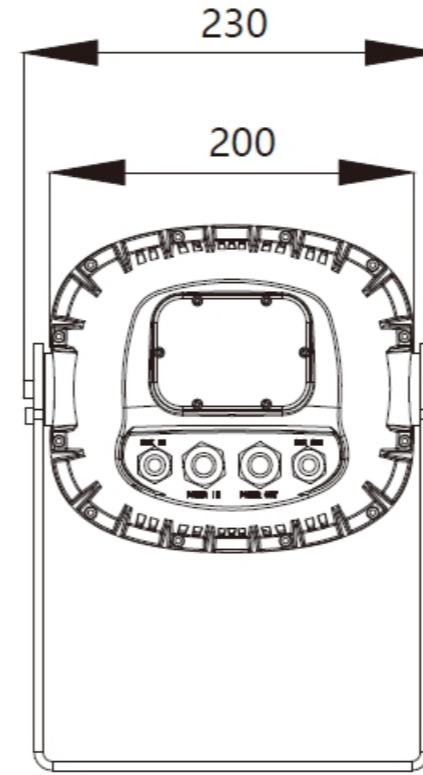


200W Water Effect Light

TL-LT102



Product Size



Features

1. Color: one 5+1 fixed color wheel, two-way stepless rotation, magnet positioning, color index, half-color and other functions.
2. Function: 2 water gobo wheels, independent rotation, two-way stepless rotation. Electric focusing, the spot can show various water ripple effects with the focal length changing.
3. Dimming: 0-100% linear adjustment.
4. Strobe: electronic strobe, 0-25 times/sec (built-in pulse stroboscopic effect).
5. DMX512 port program update, convenient and fast software update via DMX data cable.
6. Over-temperature protection function: built-in NTC temperature control function; when the LED is overheated, the output power will be intelligently reduced.
7. LCD blue screen display. The lamp usage time, software version number and others are displayed.

Specification

Input voltage	AC 110-240V 50/60Hz, 240W
Light source	One 200W white light LED OSRAM chip
Average lifespan	50000H
Color temperature	7500K
Beam angle	15°/30°/45°/60°/70° (optional)
Control mode	Comply with the international standard DMX512 signal control protocol, 3-core (5-core optional) DMX512 signal interface; master-slave synchronous control mode, support RDM protocol and program online update function
Operation mode	DMX mode, user program mode, built-in program mode
Channel	7 channels
Fixture material	High-strength die-cast aluminum alloy + copper tube radiator + 2 waterproof fan to assist heat dissipation
Protection class	Ip67
Working temperature	-20°C~ 45 °C
Fixture size (L×W×H)	230×180×367mm
Package size (L×W×H)	270×250×455mm
Gross weight	7.9kg
Net weight	7.0kg

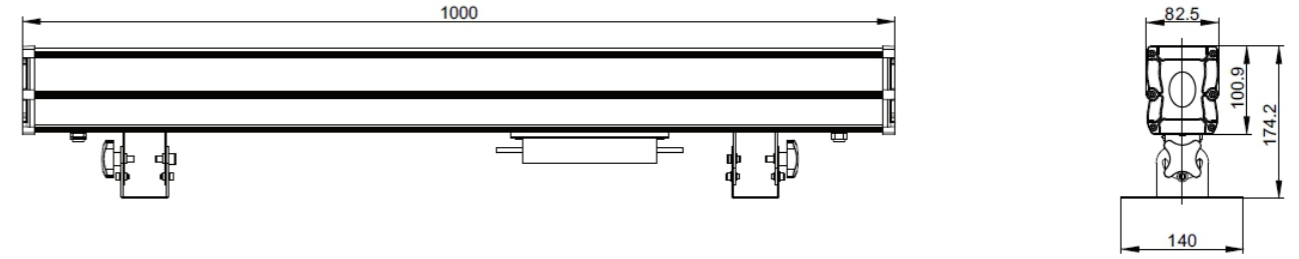


3*40W Water Effect Light

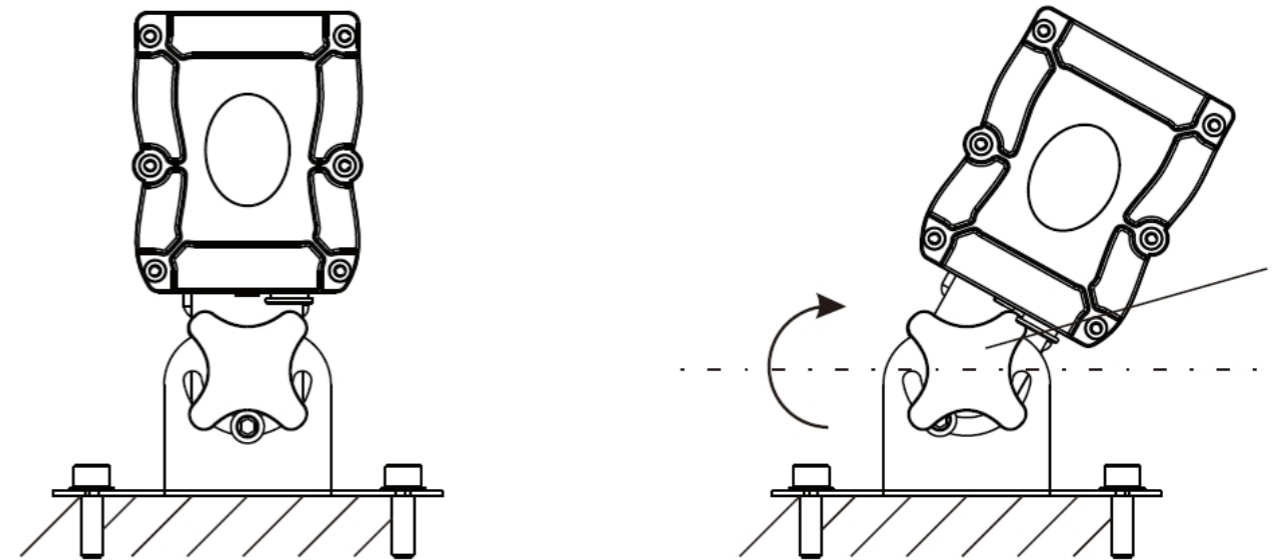
TL-LT103



Product Size



Installation



Features

- *Color: 3*40W (RGBW) red, green, blue and white LED.
- *Function: 1 water glass column, independent rotation, two-way stepless rotation, and adjustable speed.
- *Dimming: 0-100% linear adjustment.
- *Strobe: electronic strobe, 0-25 times/sec (built-in pulse stroboscopic effect).
- *DMX512 port program update, convenient and fast software update via DMX data cable.
- *Over-temperature protection function: built-in NTC temperature control function; when the LED is overheated, the output power will be intelligently reduced.
- *LCD blue screen display. The lamp usage time, software version number and others are displayed.

Specification

Input voltage	AC 110-240V 50/60Hz, 120W
Light source	3 OSRAM 40W (RGBW) red, green, blue and white LED
Average lifespan	50000H
Color temperature	7500K
Beam angle	22.5°
Control mode	Comply with the international standard DMX512 signal control protocol, 3-core (5-core optional) DMX512 signal interface; master-slave synchronous control mode, support RDM protocol and program online update function
Operation mode	DMX mode, user program mode, built-in program mode
Channel	5/9 channels
Fixture material	High-strength extruded aluminum + die-cast aluminum alloy end cover
Protection class	Ip67
Working temperature	-20°C~45°C
Fixture size (L*W*H)	1000*140*174mm
Package size (L*W*H)	1075*250*255mm
Gross weight	9.4kg
Net weight	5.5kg

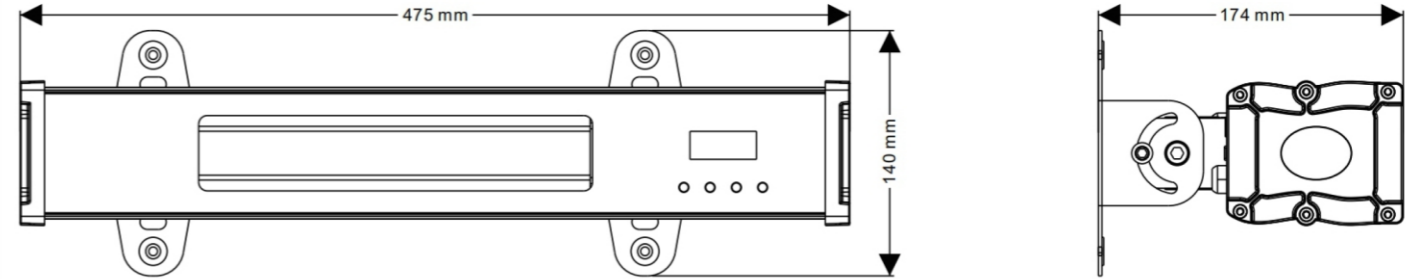


3*20W Water Effect Light

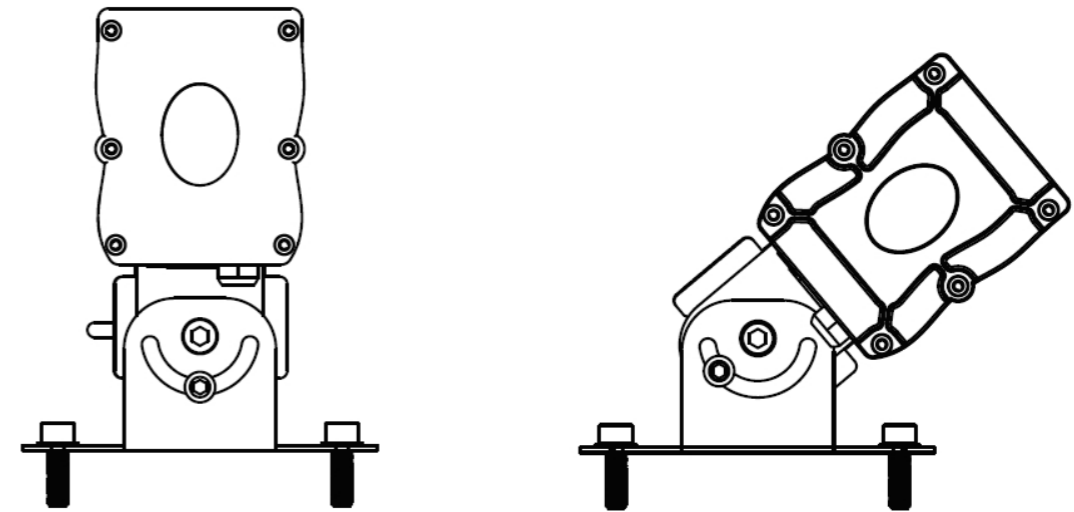
TL-LT104



Product Size



Installation



Features

- *Color: 3*40W (RGBW) red, green, blue and white LED.
- *Function: 1 water glass column, independent rotation, two-way stepless rotation, and adjustable speed.
- *Dimming: 0-100% linear adjustment.
- *Strobe: electronic strobe, 0-25 times/sec (built-in pulse stroboscopic effect).
- *DMX512 port program update, convenient and fast software update via DMX data cable.
- *Over-temperature protection function: built-in NTC temperature control function; when the LED is overheated, the output power will be intelligently reduced.
- *LCD blue screen display. The lamp usage time, software version number and others are displayed.

Specification

Input voltage	AC 110-240V 50/60Hz, 60W
Light source	3 OSRAM 20W (RGBW) red, green, blue and white LED
Average lifespan	50000H
Color temperature	7500K
Beam angle	22.5°
Control mode	Comply with the international standard DMX512 signal control protocol, 3-pin (5-pin optional) DMX512 signal interface; master-slave synchronous control mode, support RDM protocol and program online update function
Operation mode	DMX mode, user program mode, built-in program mode
Channel	5/9 channels
Fixture material	High-strength extruded aluminum + die-cast aluminum alloy end cover
Protection class	Ip67
Working temperature	-20℃ ~45℃
Fixture size (L×W×H)	475×140×174mm
Package size (L×W×H)	530×230×170mm
Gross weight	4.1kg
Net weight	3.4kg

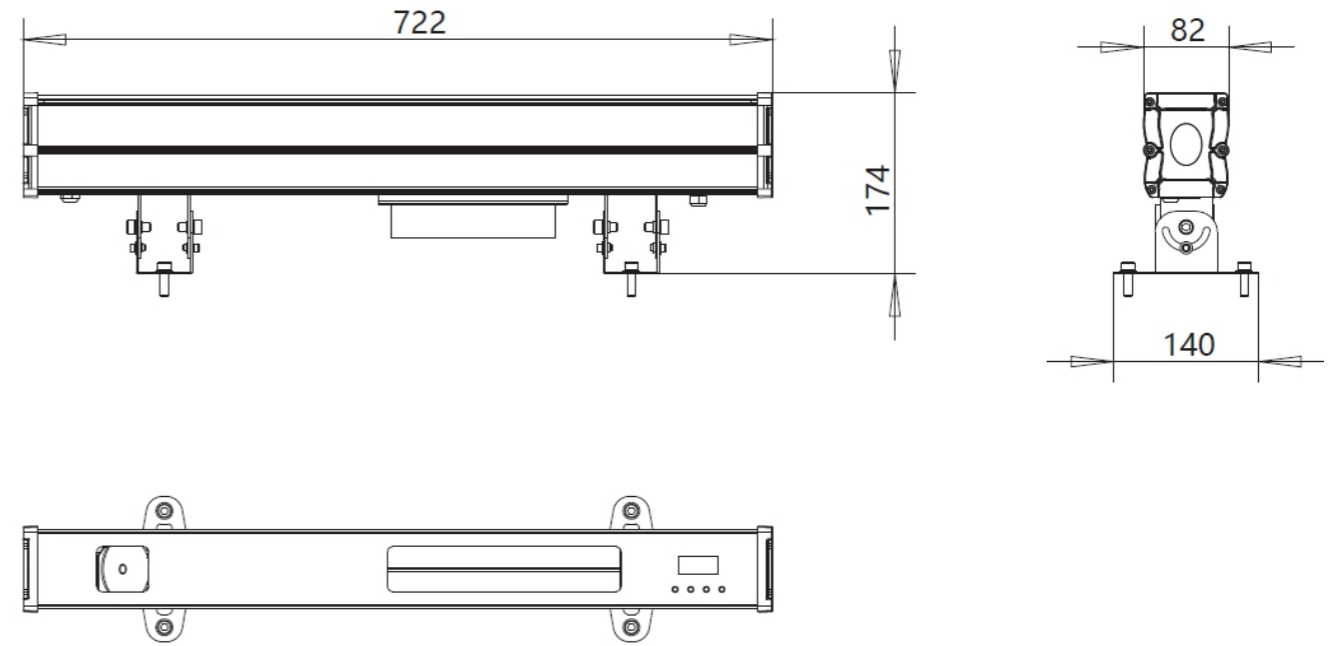


80W Water Effect Light

TL-LT104A



Product Size



Features

- *Color: 3*20W (RGBW) red, green, blue and white light, RGBW color mixing.
- *Function: 1 water pattern glass column, independent rotation, forward and backward stepless rotation, and adjustable speed; dynamic starry sky effect, starry sky forward and backward rotation, and adjustable speed control, light and dark linear transformation.
- *Dimming: 0-100% linear adjustment.
- *Strobe: electronic strobe, 0-25 times/second (built-in pulse strobe effect).
- *DMX512 port program update, convenient and fast software upgrade through DMX data cable.
- *Over-temperature protection function: Built-in NTC temperature control function, when the LED is overheated, it intelligently reduces the output power of the LED.

Specification

Input voltage	AC 110-240V 50/60Hz, 80W
Light source	3 OSRAM 20W (RGBW) red, green, blue and white LED + imported chip 10W laser diode, white light module
Average lifespan	20000H
Color temperature	7500K
Beam angle	22.5° x100°
Control mode	Comply with the international standard DMX512 signal control protocol, 3-pin (optional 5-pin) DMX512 signal interface, master-slave synchronous control mode, support RDM protocol
Operation mode	DMX mode, user program mode, built-in program mode
Channel	7/11 channels
Fixture material	High-strength extruded aluminum + die-cast aluminum alloy end cap
Protection class	Ip67
Working temperature	-20℃ ~45℃
Fixture size (L×W×H)	722×140×174mm
Package size (L×W×H)	790×210×250mm
Gross weight	5.7kg
Net weight	4.8kg

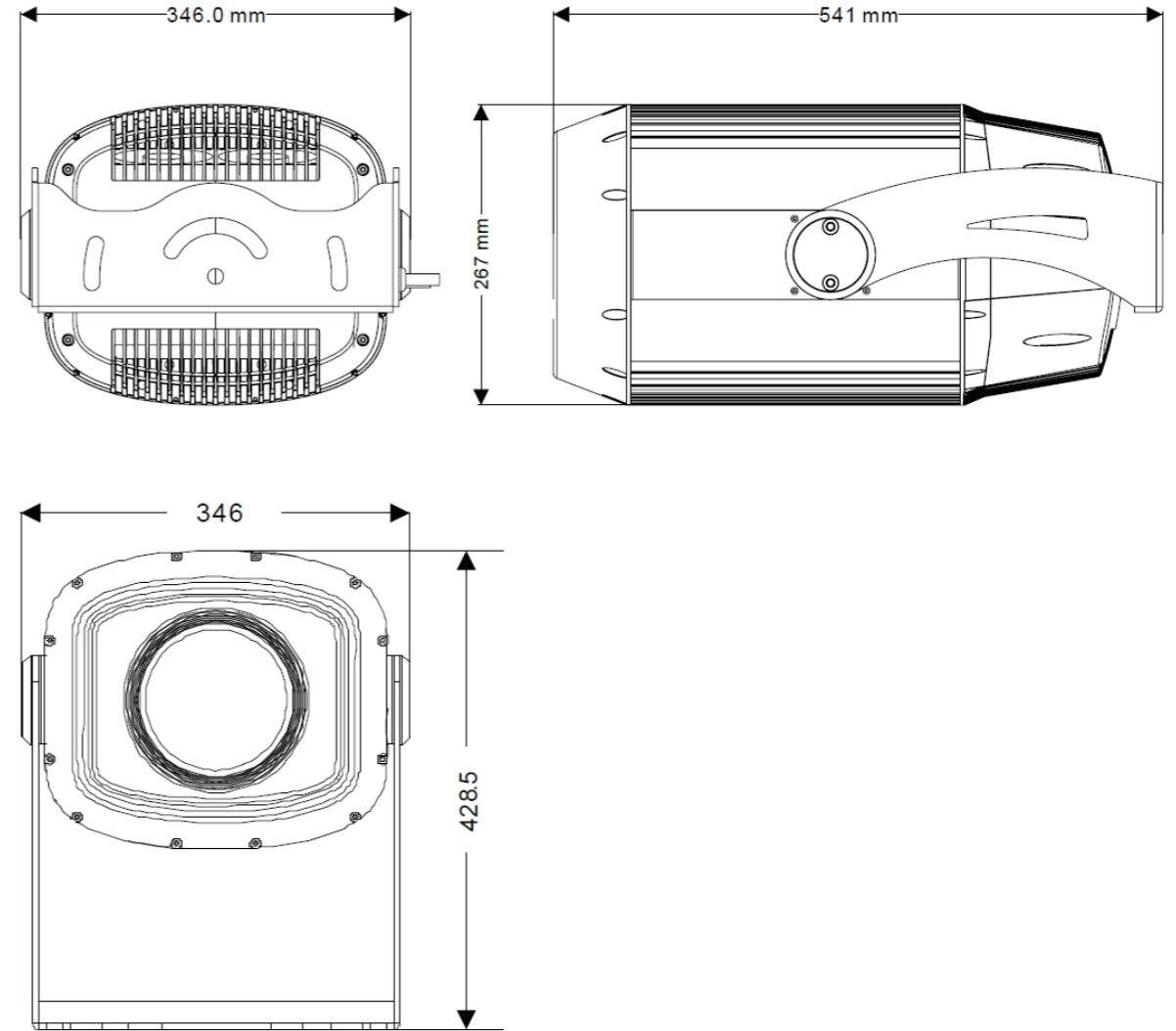


300W Water Effect Light

TL-LT105



Product Size



Features

- * Color: 1 color wheel: 6 colors + cooling film + white light, half-color effect, variable-speed two-way rainbow effect, step/linear color conversion is optional.
- * Function: 2 water gobo wheels, independent rotation, two-way stepless rotation; realize the natural water flow effect with the color changing.
- * Dimming: 0-100% linear adjustment.
- * Strobe: electronic strobe, 0-25 times/sec (built-in pulse stroboscopic effect).
- * Spot: the light spot changes with high-speed electric linear zooming.
- * DMX512 port program update, convenient and fast software update via DMX data cable.
- * Over-temperature protection function: built-in NTC temperature control function; when the LED is overheated, the output power will be intelligently reduced.
- * LCD blue screen display, including the lamp usage time, software version number, etc.

Specification

Input voltage	AC 110-240V 50/60Hz, 350W
Light source	300W white light LED
Average lifespan	50000H
Color temperature	7000K
Beam angle	25°~50° electric adjustment
Control mode	Comply with the international standard DMX512 signal control protocol, 3-core (5-core optional) DMX512 signal interface; master-slave synchronous control mode, support RDM protocol and program online update function
Operation mode	DMX mode, user program mode, built-in program mode
Channel	9 channels
Fixture material	High temperature resistant aluminum alloy + high temperature resistant/UV resistant engineering plastic + copper tube radiator + 1 waterproof fan to assist heat dissipation
Protection class	Ip67
Working temperature	-20°C~45°C
Fixture size (L×W×H)	346×267×541mm



300W Water Effect Light

TL-LT105A



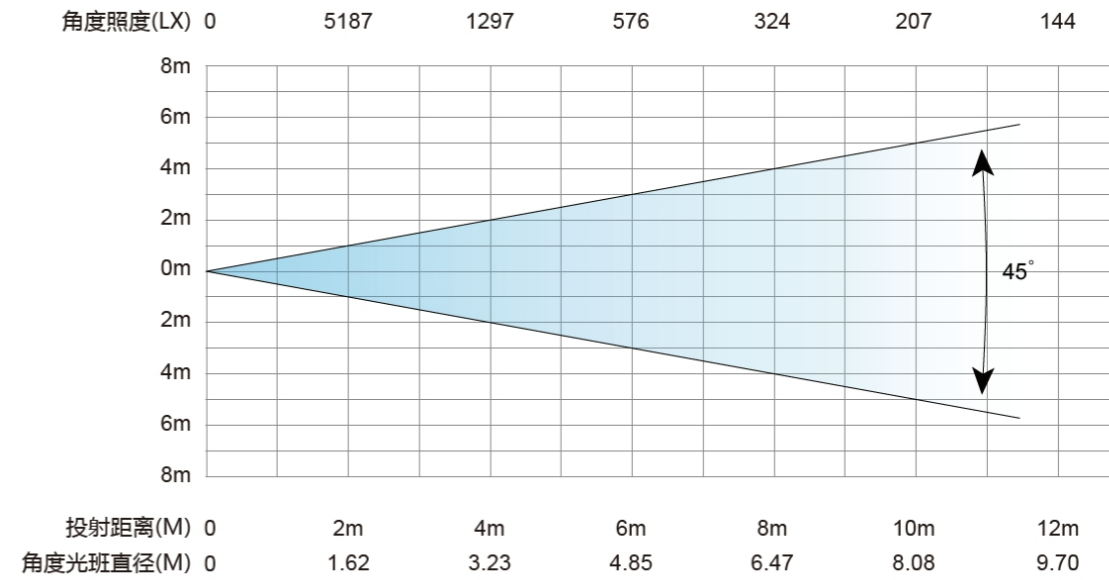
Features

- *Color: 1 color wheel: 7 colors + white light, half-color effect, variable-speed two-way rainbow effect, step/linear color conversion is optional.
- *Function: 2 water gobo wheels, independent rotation, two-way stepless rotation; realize the natural water flow effect with the color changing.
- *Dimming: 0-100% linear adjustment.
- *Strobe: electronic strobe, 0-25 times/sec (built-in pulse stroboscopic effect).
- *Focus: electric focus
- *DMX512 port program update, convenient and fast software update via DMX data cable.
- *Over-temperature protection function: built-in NTC temperature control function; when the LED is overheated, the output power will be intelligently reduced.
- *Full-color display, including the lamp usage time, software version number, reverse display of subtitle, etc.

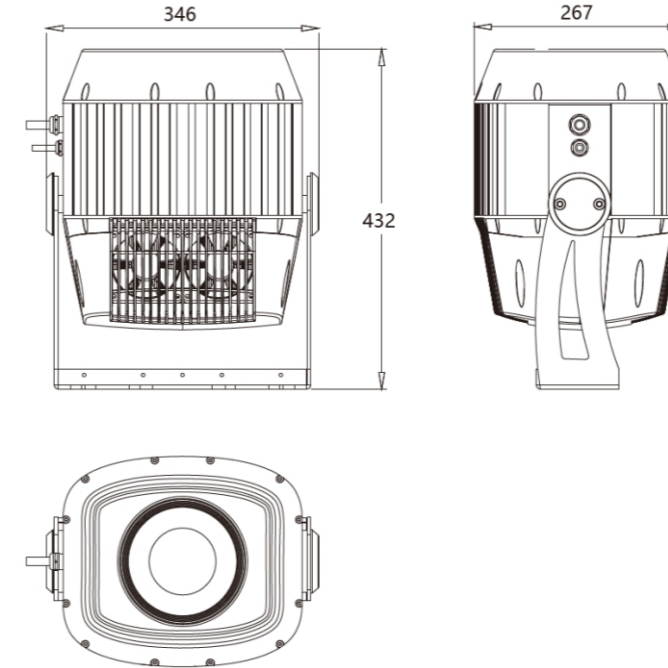
Specification

Input voltage	AC 100-240V 50/60Hz, 380W
Light source	300W White Light LED Module OSRAM Chip
Average lifespan	50000H
Color temperature	7000K
Beam angle	45° (15°/30°/60° optional)
Control mode	Comply with the international standard DMX512 signal control protocol, 3-core (5-core optional) DMX512 signal interface; master-slave synchronous control mode, support RDM protocol and program online update function
Operation mode	DMX mode, user program mode, built-in program mode
Channel	8 channels
Fixture material	High temperature resistant aluminum alloy/UV resistant engineering plastic + copper tube radiator + waterproof fan to assist heat dissipation
Protection class	Ip67
Working temperature	-20°C~40°C
Fixture size (L×W×H)	346×267×432mm
Packaging size (L×W×H)	405×355×515mm
Gross weight	17.1KG
Net weight	15.4KG

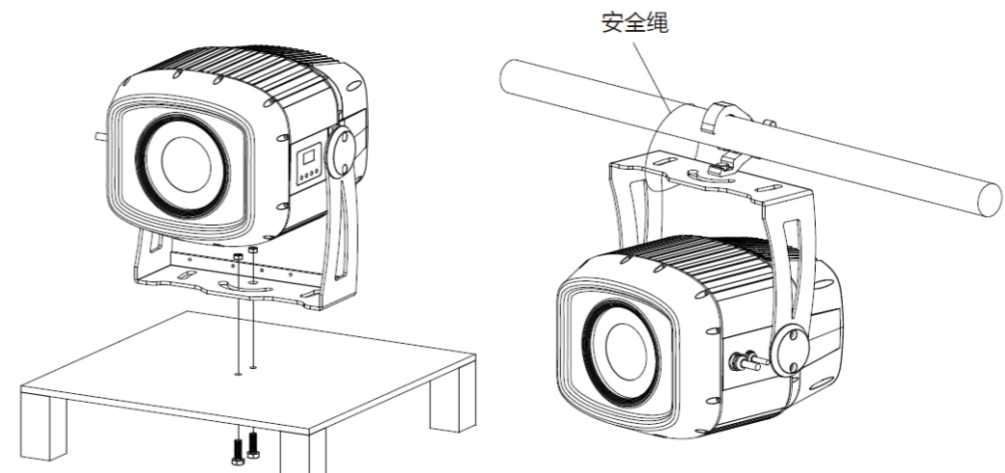
Light effect diagram



Dimension



Installation



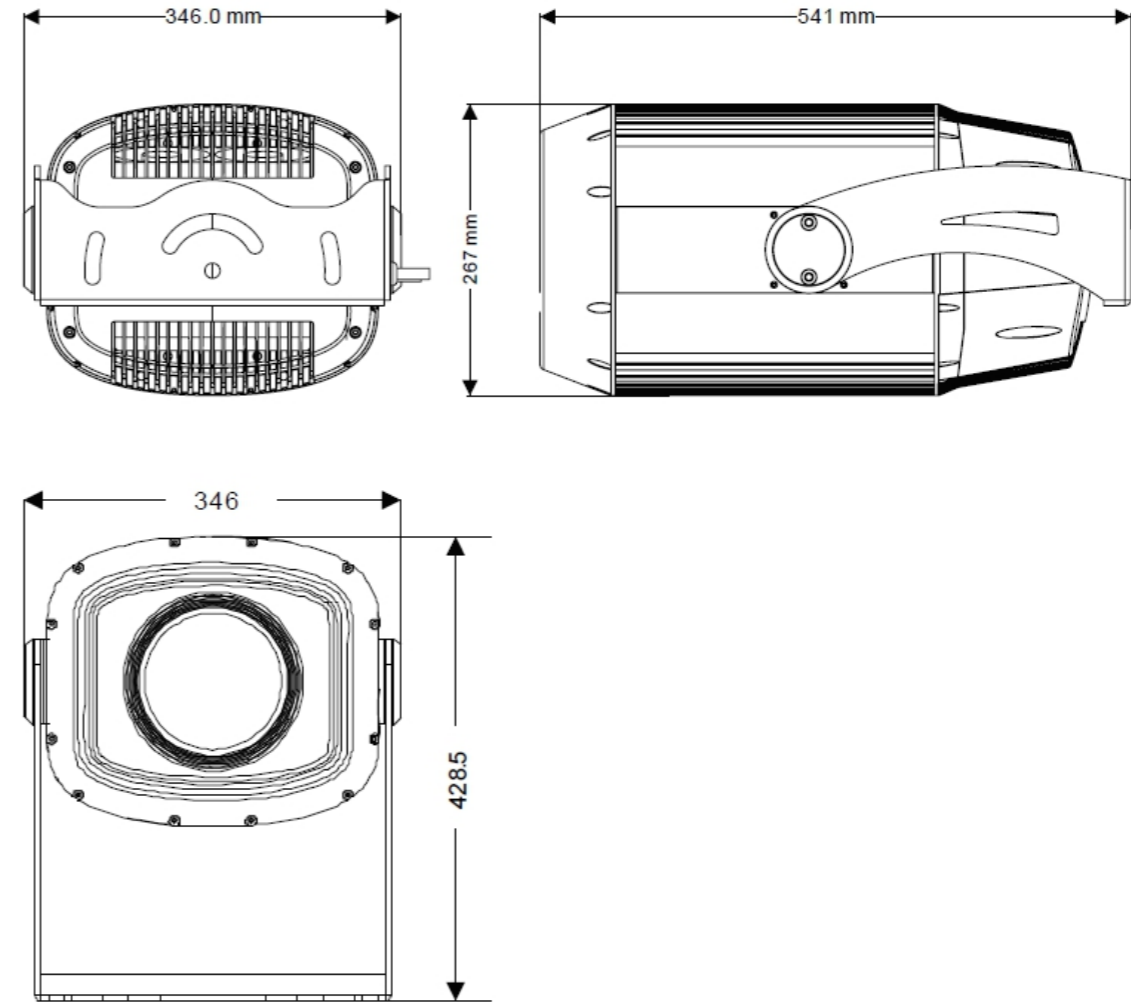


450W Water Effect Light

TL-LT106



Dimension



Features

- * Color: 1 color wheel: 6 colors + cooling film + white light, half-color effect, variable-speed two-way rainbow effect, step/linear color conversion is optional.
- * Function: 2 water gobo wheels, independent rotation, two-way stepless rotation; realize the natural water flow effect with the color changing.
- * Dimming: 0-100% linear adjustment.
- * Strobe: electronic strobe, 0-25 times/sec (built-in pulse stroboscopic effect).
- * Spot: the light spot changes with high-speed electric linear zooming.
- * DMX512 port program update, convenient and fast software update via DMX data cable.
- * Over-temperature protection function: built-in NTC temperature control function; when the LED is overheated, the output power will be intelligently reduced.
- * LCD blue screen display. The lamp usage time, software version number and others are displayed.

Specification

Input voltage	AC 110-240V 50/60Hz, 535W
Light source	450W white light LED
Average lifespan	50000H
Color temperature	7000K
Beam angle	25°~50° electric adjustment
Control mode	Comply with the international standard DMX512 signal control protocol, 3-core (5-core optional) DMX512 signal interface; master-slave synchronous control mode, support RDM protocol and program online update function
Operation mode	DMX mode, user program mode, built-in program mode
Channel	9 channels
Fixture material	High temperature resistant aluminum alloy + high temperature resistant/UV resistant engineering plastic + copper tube radiator + 1 waterproof fan to assist heat dissipation
Protection class	Ip67
Working temperature	-20°C~45°C
Fixture size (L×W×H)	346×267×541mm

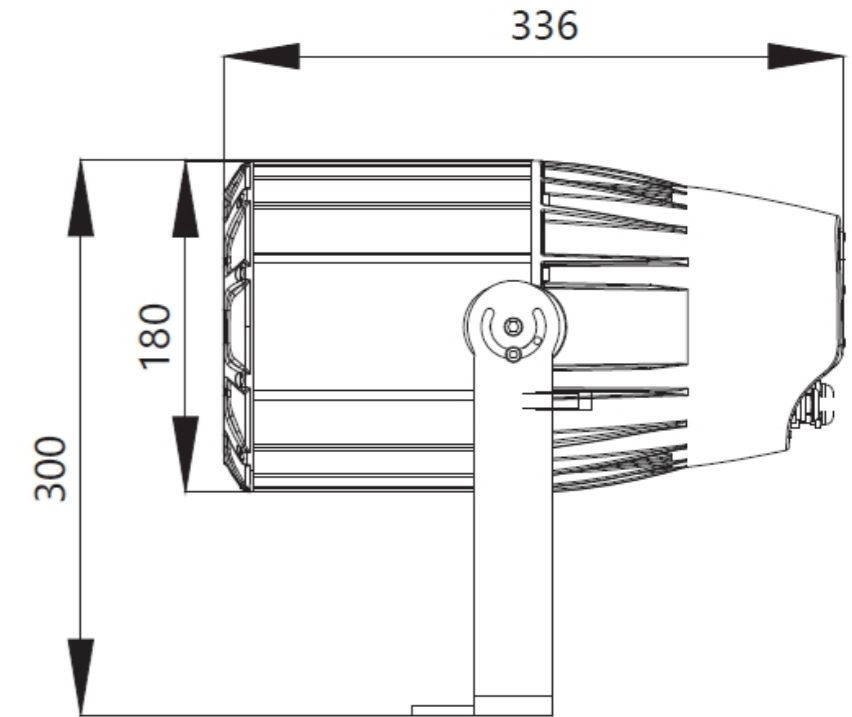
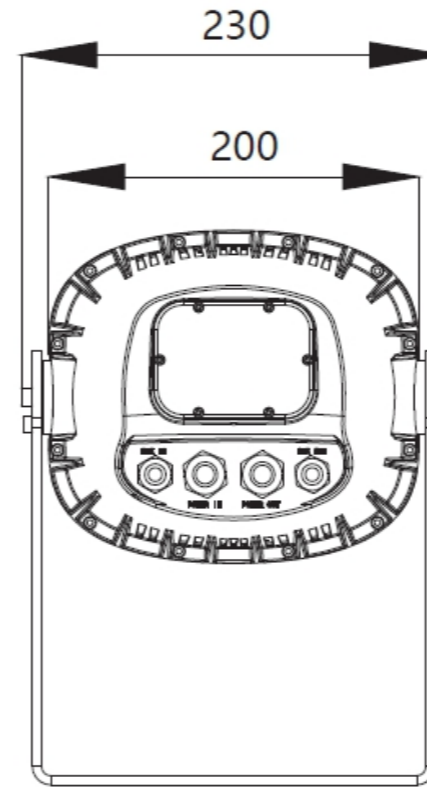


80W Water Effect Light

TL-LT108



Product Size



Features

1. Color: one 5+1 fixed color wheel, two-way stepless rotation, magnet positioning, color index, half-color and other functions.
2. Function: 2 water gobo wheels, independent rotation, two-way stepless rotation.
3. Dimming: 0-100% linear adjustment.
4. Strobe: electronic strobe, 0-25 times/sec (built-in pulse stroboscopic effect).
5. DMX512 port program update, convenient and fast software update via DMX data cable.
6. Over-temperature protection function: built-in NTC temperature control function; when the LED is overheated, the output power will be intelligently reduced.
7. LCD blue screen display, including the lamp usage time, software version number, etc.

Specification

Input voltage	AC 110-240V 50/60Hz, 100W
Light source	One 80W white light LED OSRAM chip
Average lifespan	50000H
Color temperature	7500K
Beam angle	25°/45°/70°(optional)
Control mode	Comply with the international standard DMX512 signal control protocol, 3-core(5-core optional) DMX512 signal interface; master-slave synchronous control mode, support RDM protocol and program online update function
Operation mode	DMX mode, user program mode, built-in program mode
Channel	7 channels
Fixture material	High-strength die-cast aluminum alloy + copper tube radiator + 1 waterproof fan to assist heat dissipation
Protection class	Ip67
Working temperature	-20°C~ 45°C
Fixture size (L×W×H)	230×180×367mm
Package size (L×W×H)	270×250×455mm
Gross weight	7.9kg
Net weight	7.0kg

Starry Sky Light



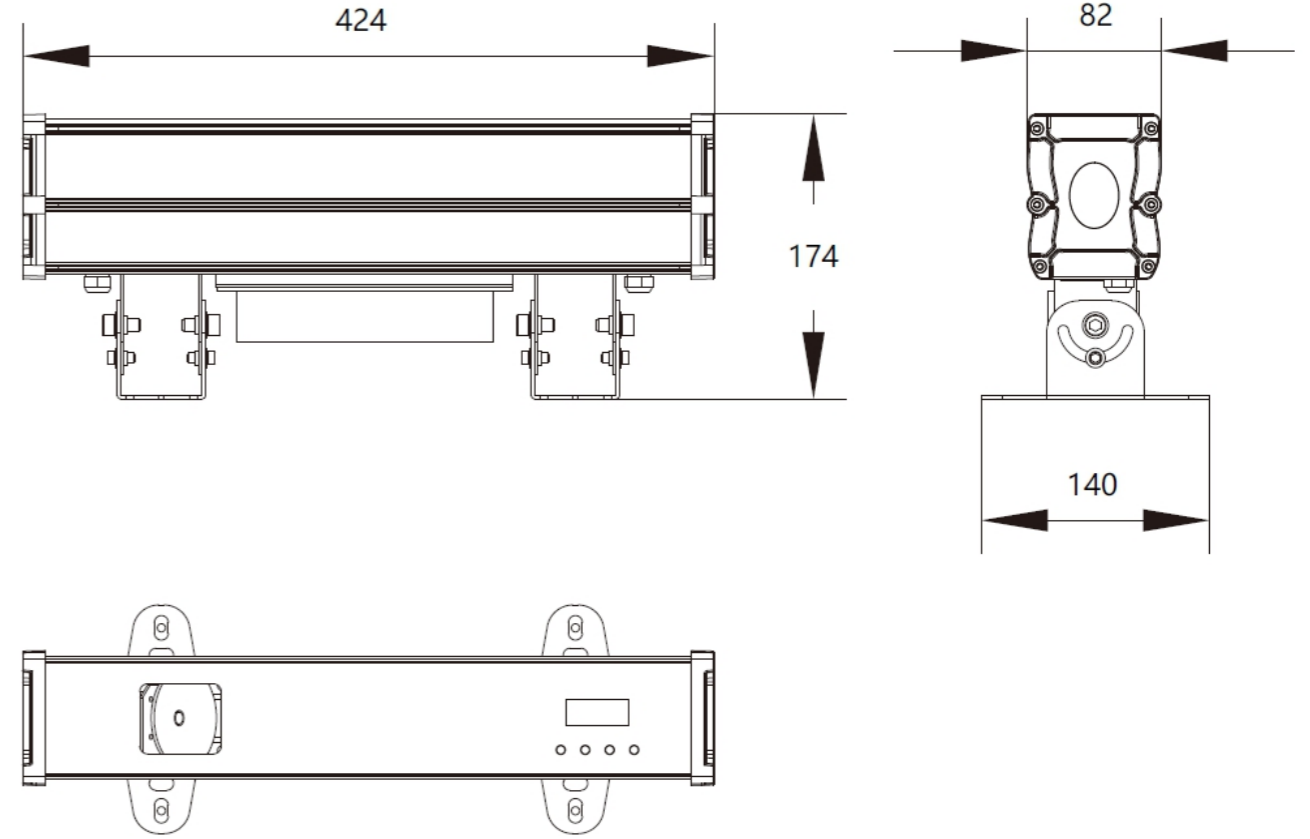


Starry Sky Light

TL-LT401A



Product Size



Features

- *Dynamic starry sky effect, bidirectional rotation, adjustable speed, light and dark linear conversion.
- *Dimming: 0-100% linear adjustment.
- *Strobe: electronic strobe, 0-25 times/second
- *DMX512 port program update, convenient and fast software upgrade through DMX data cable
- *Over-temperature protection function: built-in NTC temperature control function. When the LED is overheated, the output power will be intelligently reduced.

Specification

Input voltage	AC110-240V, 50/60Hz, 10W
Light source	Imported chip, 5W laser diode, white light module
Average lifespan	10000H
Color temperature	7000K
Beam angle	80°
Control mode	Built-in power-on self-propelled program, built-in 3 modes (forward rotation, backward rotation, light and dark linear conversion breathing effect) optional
Channel	3 channels
Fixture material	High-strength die-cast aluminum alloy
Protection class	Ip67
Working temperature	-20°C~45°C
Fixture size (L×W×H)	424×140×174mm
Package size (L×W×H)	490×210×250mm
Gross weight	4kg
Net weight	3.2kg

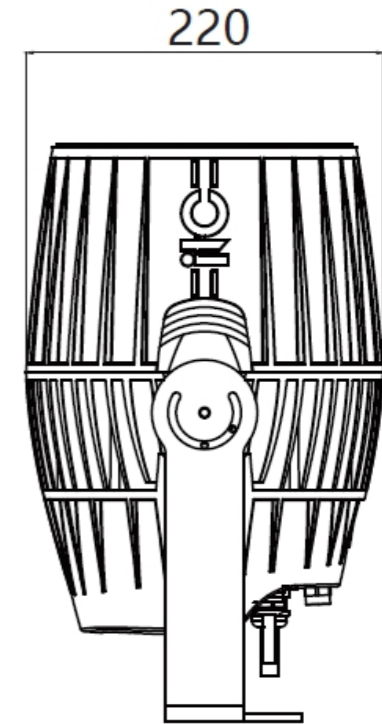
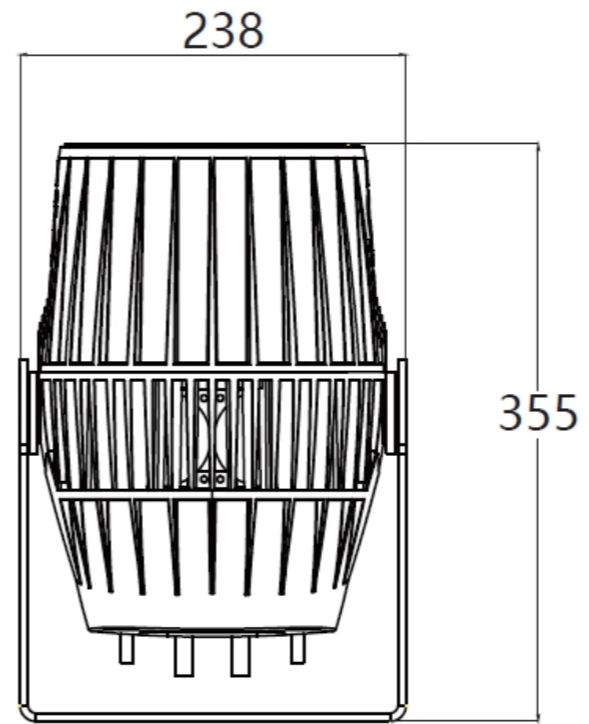


Starry Sky Light

TL-LT402



Product Size



Features

- * Dynamic starry sky effect, bidirectional rotation, adjustable speed, light and dark linear conversion.
- * Dimming: 0-100% linear adjustment.
- * Strobe: electronic strobe, 0-25 times/second
- * DMX512 port program update, convenient and fast software upgrade through DMX data cable
- * Over-temperature protection function: built-in NTC temperature control function. When the LED is overheated, the output power will be intelligently reduced.

Specification

Input voltage	AC 110-240V 50/60Hz, 20W
Light source	Imported chip, 10W laser diode, white light module
Average lifespan	10000H
Color temperature	7000K
Beam angle	80°
Control mode	Built-in power-on self-propelled program, built-in 3 modes (forward rotation, backward rotation, light and dark linear conversion breathing effect) optional
Channel	3 channels
Fixture material	High-strength die-cast aluminum alloy
Protection class	Protection Ip67
Working temperature	-20°C~45°C
Fixture size (L×W×H)	238×220×355mm
Package size (L×W×H)	270×250×455mm
Gross weight	9.3kg
Net weight	6.8kg



Effect Light





Strobe Light

TL-SL418



Safety instruction

Warning: danger of serious injury or death	Warning: consult the manual before installation, power on, or repair	Warning: fatal or serious electric shock hazard	Warning: fire	Warning: hot surface is dangerous to burn, do not touch	Warning: danger of eye injury, please wear goggles	Warning: danger of hand injury, please wear gloves
Only suitable for lights directly installed on the surface of non-combustible materials	Replace all shattered protective covers	Shortest distance from the illuminated object (m)	Rated maximum ambient temperature	Indoor use only	Do not point the lens towards the sun or strong light	Operation is not allowed during running

Features

* Colorful strobe effect and uniform RGB stepless color mixing system, support dyeing and producing rainbow effects.

Specification

Input voltage	AC 220-240V 50/60Hz, 1000W
Light source	1000 SMD lamp beads
Average lifespan	5000H
Control mode	DMX /Voice control/auto
Channel	1/7/12CH
Protection class	Ip20
Package size (L×W×H)	810×550×330mm
Gross weight	15.2kg (4pcs)
Net weight	3.8kg



Moving Head Beam Light

TL-SL421



Safety instruction

Warning: danger of serious injury or death	Warning: consult the manual before installation, power on, or repair	Warning: fatal or serious electric shock hazard	Warning: fire	Warning: hot surface is dangerous to burn, do not touch	Warning: danger of eye injury, please wear goggles	Warning: danger of hand injury, please wear gloves
Only suitable for lights directly installed on the surface of non-combustible materials	Replace all shattered protective covers	Shortest distance from the illuminated object (m)	Rated maximum ambient temperature	Indoor use only	Do not point the lens towards the sun or strong light	Operation is not allowed during running

Features

- * Color mixing: RGB stepless color mixing.
- * Electric dimming: 0-100% stepless dimming.
- * Strobe: 0~25Hz.
- * Scanning accuracy: 8-16Bt.
- * Scanning angle: X axis 540° and Y axis 270°.

Specification

Input voltage	AC 110-240V 50/60Hz, 400W
Light source	7*40W (RGBW)
Average lifespan	50000H
Beam angle	4.5-36°
Control mode	Master/slave, self-propelled, voice control, DMX512 mode
Channel	17/12CH
Fixture material	High temperature resistant plastic + molded alloy material + air cooling
Protection class	Fireproof V-1, protection Ip20
Fixture size (L*W*H)	300*220*420mm



Moving Head Beam Light

TL-SL422



Safety instruction

Warning: danger of serious injury or death	Warning: consult the manual before installation, power on, or repair	Warning: fatal or serious electric shock hazard	Warning: fire	Warning: hot surface is dangerous to burn, do not touch	Warning: danger of eye injury, please wear goggles	Warning: danger of hand injury, please wear gloves
Only suitable for lights directly installed on the surface of non-combustible materials	Replace all shattered protective covers	Shortest distance from the illuminated object (m)	Rated maximum ambient temperature	Indoor use only	Do not point the lens towards the sun or strong light	Operation is not allowed during running

Features

- * Color mixing: RGB stepless color mixing.
- * Electronic dimming: 0-100% linear adjustment.
- * Strobe: 1-25 times/sec (conventional strobe, thunder strobe, random strobe, suddenly dark gradually brighter strobe, and suddenly bright gradually darker strobe).
- * Scanning range: X-axis 540°, with self-recovery closed-loop system; Y-axis 270°, with self-recovery closed-loop system.
- * Scanning fine-tuning: X/Y axis 16BIT scanning subdivision for accurate positioning.

Specification

Input voltage	AC 110-240V 50/60Hz, 300W
Light source	19*40W(4IN1)
Color temperature	2500-8000K linear adjustment
Average lifespan	50000H
Beam angle	4-60°
Control mode	DMX512/master-slave (multiple unit synchronization), self-propelled program, voice control mode
Channel	21/23/35/78/92/97CH
Fixture material	High temperature resistant plastic + molded alloy material + air cooling
Protection class	Fireproof V-1, protection Ip20
Package size (L*W*H)	465*330*790mm
Gross weight	16kg
Net weight	14.8kg



Magic Beam Light

TL-SL431



Safety instruction

Warning: danger of serious injury or death	Warning: consult the manual before installation, power on, or repair	Warning: fatal or serious electric shock hazard	Warning: fire	Warning: hot surface is dangerous to burn, do not touch	Warning: danger of eye injury, please wear goggles	Warning: danger of hand injury, please wear gloves
Only suitable for lights directly installed on the surface of non-combustible materials	Replace all shattered protective covers	Shortest distance from the illuminated object (m)	Rated maximum ambient temperature	Indoor use only	Do not point the lens towards the sun or strong light	Operation is not allowed during running

Features

* Beam effect: dozens of powerful beams can be produced.

Specification

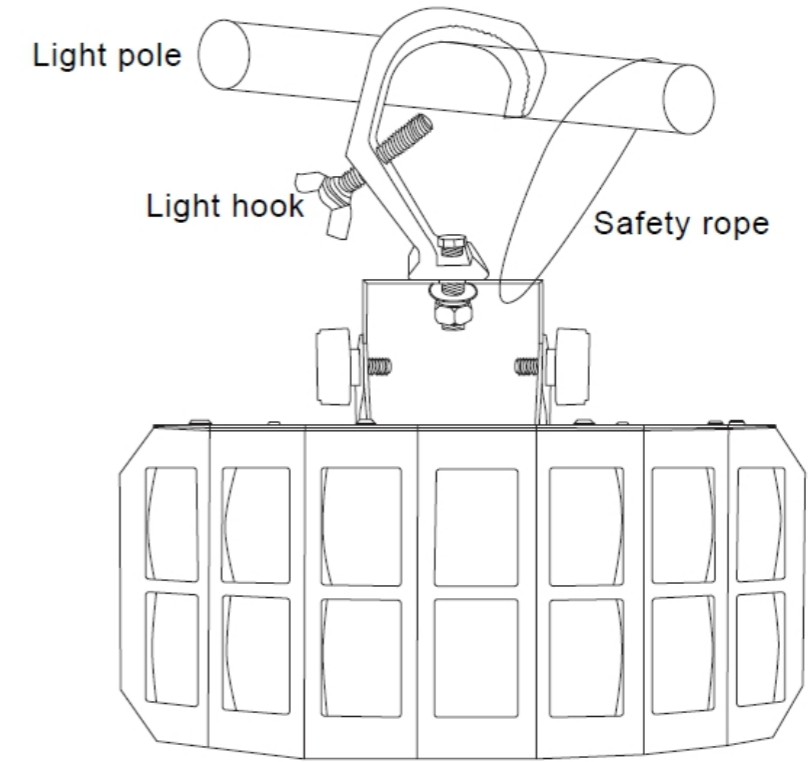
Input voltage	AC 110-240V 50/60Hz, 25W
Light source	9*1W (red, green, blue, white, yellow, purple, orange, cyan, warm white) LED
Average lifespan	50000H
Control mode	DMX512/self-propelled mode/voice control/remote control
Channel	7CH
Protection class	Ip20
Fixture size (L×W×H)	190×190×170mm
Package size (L×W×H)	190×190×170mm
Gross weight	0.7kg
Net weight	0.6kg



LED Butterfly Effect Light TL-SL432



Installation Precautions



Features

* Beam effect: dozens of powerful beams can be produced.

Specification

Model	TL-SL432
Input voltage	AC 110-240V 50/60Hz, 30W
Light source	2*10(4IN1) LED
Average lifespan	50000H
Control mode	DMX512/self-propelled/voice control
Channel	8CH
Protection class	Ip20
Fixture size (L*W*H)	350*340*240mm
Package size (L*W*H)	720*360*520mm (4pcs)
Gross weight	16.2kg/box
Net weight	3kg

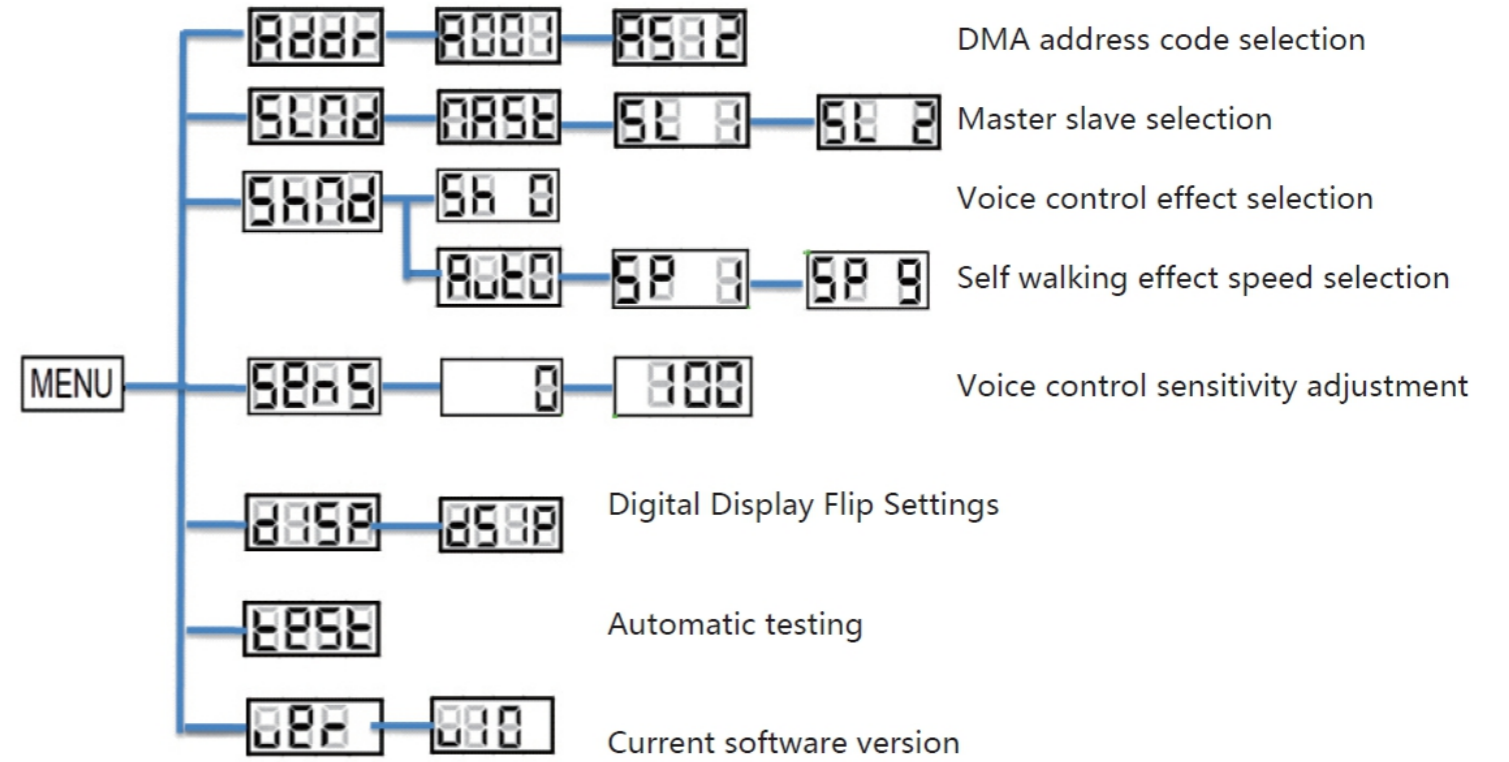


Six Bee Eye Laser Light

TL-SL441



Menu Function Description



Features

- * Dimming mode: 0~100% super smooth dimming.
- * Strobe: 20 times/sec.

Specification

Model	TL-SL441
Input voltage	AC 220V 50Hz, 80W
Light source	6*10W 4IN1 and 1*50mW green laser
Channel	10CH
Control mode	DMX512, master/slave, self-propelled, voice control
Opening size	175mm

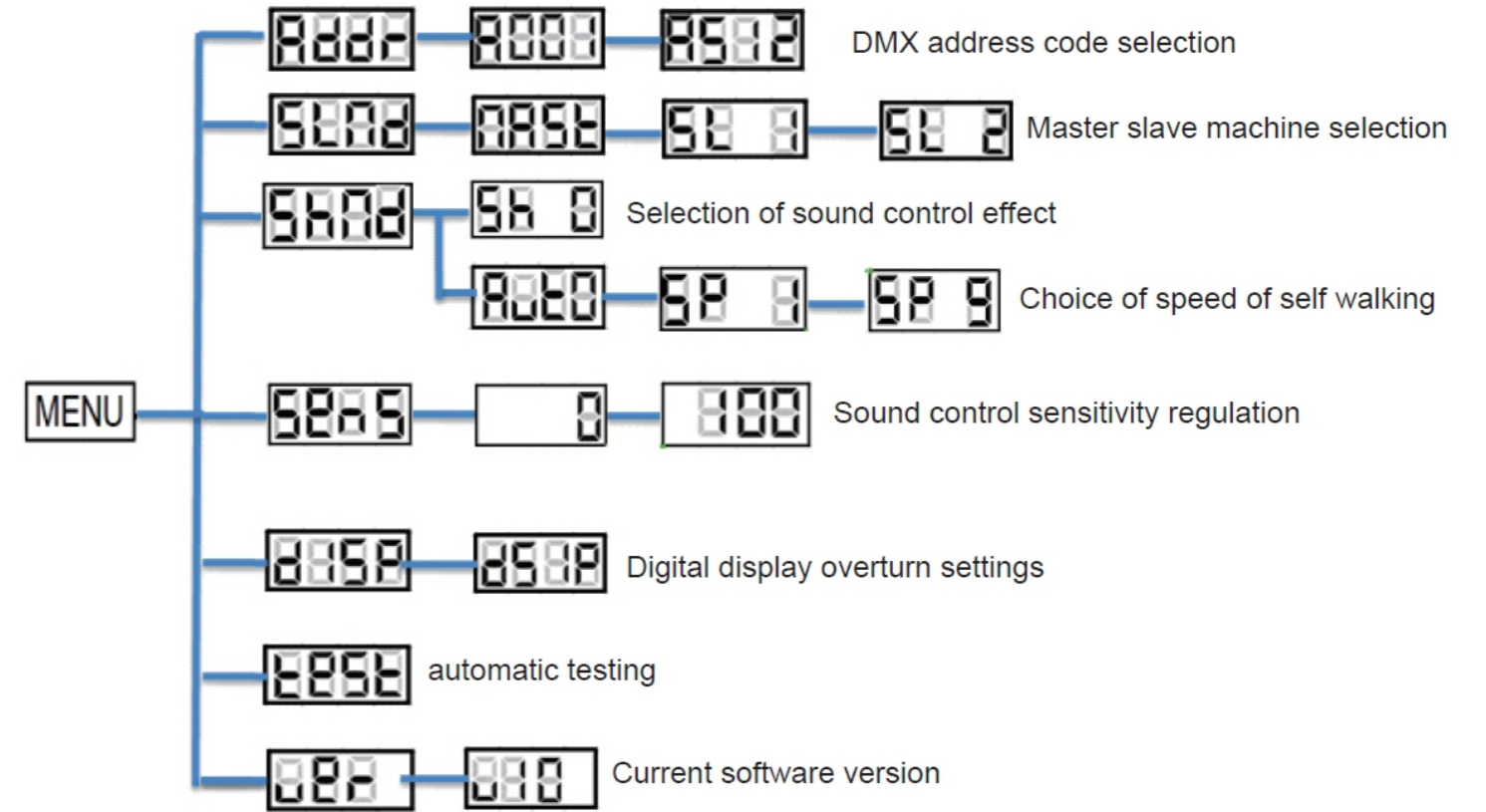


Six Bee Eye Water Effect Light

TL-SL443



Menu Function Description



Features

- * Dimming mode: 0~100% super smooth dimming.
- * Strobe: 20 times/sec.

Specification

Model	TL-SL443
Input voltage	AC 220V 50Hz, 48W
Light source	6*10W 4IN1, 3 series 2 parallels
Channel	15CH
Control mode	DMX512, master/slave, self-propelled, voice control
Opening size	175mm



Six Bee Eye Laser Light

TL-SL444



Safety instruction

Warning: danger of serious injury or death	Warning: consult the manual before installation, power on, or repair	Warning: fatal or serious electric shock hazard	Warning: fire	Warning: hot surface is dangerous to burn, do not touch	Warning: danger of eye injury, please wear goggles	Warning: danger of hand injury, please wear gloves
Only suitable for lights directly installed on the surface of non-combustible materials	Replace all shattered protective covers	Shortest distance from the illuminated object (m)	Rated maximum ambient temperature	Indoor use only	Do not point the lens towards the sun or strong light	Operation is not allowed during running

Features

- * Dimming mode: 0~100% super smooth dimming.
- * Strobe: 20 times/sec.

Specification

Input voltage	AC 220V 50Hz, 60W
Light source	6*3W monochrome RGBW and 6*5W 4IN1 RGBW, 2*30mW red and green laser
Channel	14CH
Control mode	DMX512, master/slave, self-propelled, voice control
Opening size	175mm



Moving Head Beam Light

TL-SL445



Safety instruction

Warning: danger of serious injury or death	Warning: consult the manual before installation, power on, or repair	Warning: fatal or serious electric shock hazard	Warning: fire	Warning: hot surface is dangerous to burn, do not touch	Warning: danger of eye injury, please wear goggles	Warning: danger of hand injury, please wear gloves
Only suitable for lights directly installed on the surface of non-combustible materials	Replace all shattered protective covers	Shortest distance from the illuminated object (m)	Rated maximum ambient temperature	Indoor use only	Do not point the lens towards the sun or strong light	Operation is not allowed during running

Features

- * Dimming mode: 0~100% super smooth dimming.
- * Strobe: 20 times/sec.

Specification

Input voltage	AC110V-240V 50/60Hz, 90W
Light source	1 45W white light lamp bead, 6 10W RGBW 4IN1 lamp beads
Control mode	DMX512
Operating mode	DMX512, master/slave, self-propelled, voice control
Channel	15 channels
Opening size	20cm depth 18cm
Fixture size (L×W×H)	225×225×250mm
Package size (L×W×H)	530×280×530mm
Gross weight	13.8kg (4PCS)
Net weight	2.5kg



Moving Head Beam Light

TL-SL446



Safety instruction

Warning: danger of serious injury or death	Warning: consult the manual before installation, power on, or repair	Warning: fatal or serious electric shock hazard	Warning: fire	Warning: hot surface is dangerous to burn, do not touch	Warning: danger of eye injury, please wear goggles	Warning: danger of hand injury, please wear gloves
Only suitable for lights directly installed on the surface of non-combustible materials	Replace all shattered protective covers	Shortest distance from the illuminated object (m)	Rated maximum ambient temperature	Indoor use only	Do not point the lens towards the sun or strong light	Operation is not allowed during running

Features

- * Dimming mode: 0~100% super smooth dimming.
- * Strobe: 25 times/sec.

Specification

Input voltage	AC110V-240V 50/60Hz ,60W
Light source	45W 4IN1 RGBW, 12*3 5050RGB
Control mode	DMX512
Operating mode	DMX512, master/slave, self-propelled, voice control
Channel	16/18 channels
Opening size	20cm depth 18cm
Fixture size (L*W*H)	225*225*250mm
Package size (L*W*H)	530*280*530mm
Gross weight	12.7kg (4PCS)
Net weight	2.3kg



Moving Head Beam Light

TL-SL447



Safety instruction

Warning: danger of serious injury or death	Warning: consult the manual before installation, power on, or repair	Warning: fatal or serious electric shock hazard	Warning: fire	Warning: hot surface is dangerous to burn, do not touch	Warning: danger of eye injury, please wear goggles	Warning: danger of hand injury, please wear gloves
Only suitable for lights directly installed on the surface of non-combustible materials	Replace all shattered protective covers	Shortest distance from the illuminated object (m)	Rated maximum ambient temperature	Indoor use only	Do not point the lens towards the sun or strong light	Operation is not allowed during running

Features

- * Dimming mode: 0~100% super smooth dimming.
- * Strobe: 25 times/sec.

Specification

Input voltage	AC110V-240V 50/60Hz, rated power 35W, max power 90W
Light source	6*10W 4IN1 RGBW
Laser	Green Laser 50mw
Control mode	DMX512
Operating mode	DMX512, master/slave, self-propelled, voice control
Channel	15/17 channels
Opening size	20cm depth 18cm
Fixture size (L×W×H)	225×225×250mm
Package size (L×W×H)	530×280×530mm
Gross weight	12.5kg (4PCS)
Net weight	2.1kg



Safety instruction

Warning: danger of serious injury or death	Warning: consult the manual before installation, power on, or repair	Warning: fatal or serious electric shock hazard	Warning: fire	Warning: hot surface is dangerous to burn, do not touch	Warning: danger of eye injury, please wear goggles	Warning: danger of hand injury, please wear gloves
Only suitable for lights directly installed on the surface of non-combustible materials	Replace all shattered protective covers	Shortest distance from the illuminated object (m)	Rated maximum ambient temperature	Indoor use only	Do not point the lens towards the sun or strong light	Operation is not allowed during running

Features

- * Dimming mode: 0~100% super smooth dimming.
- * Strobe: 25 times/sec.

Specification

Input voltage	AC110V-240V 50/60Hz, 100W
Light source	100W dual color temperature lamp beads
Control mode	DMX512
Operating mode	DMX512, master/slave, self-propelled, voice control
Channel	4 channels
Opening size	20cm depth 18cm
Fixture size (L×W×H)	190×225×225mm
Package size (L×W×H)	570×290×250mm
Gross weight	4.7kg (2PCS)
Net weight	1.6kg



Fixed Dyeing Light

TL-SL449



Safety instruction

Warning: danger of serious injury or death	Warning: consult the manual before installation, power on, or repair	Warning: fatal or serious electric shock hazard	Warning: fire	Warning: hot surface is dangerous to burn, do not touch	Warning: danger of eye injury, please wear goggles	Warning: danger of hand injury, please wear gloves
Only suitable for lights directly installed on the surface of non-combustible materials	Replace all shattered protective covers	Shortest distance from the illuminated object (m)	Rated maximum ambient temperature	Indoor use only	Do not point the lens towards the sun or strong light	Operation is not allowed during running

Features

- * Dimming mode: 0~100% super smooth dimming.
- * Strobe: 25 times/sec.

Specification

Input voltage	AC110V-240V 50/60Hz, rated power 60W, max power 90W
Light source	24*3W LED RGBW
Control mode	DMX512
Operating mode	DMX512, master/slave, self-propelled, voice control
Channel	6 channels
Opening size	20cm depth 18cm
Fixture size (L*W*H)	190*225*225mm
Package size (L*W*H)	570*290*250mm
Gross weight	4.3kg (2PCS)
Net weight	1.5kg

Interactive projector





3800LM Projector light

TL-LT501



Safety instruction

Warning: danger of serious injury or death	Warning: consult the manual before installation, power on, or repair	Warning: fatal or serious electric shock hazard	Warning: fire	Warning: hot surface is dangerous to burn, do not touch	Warning: danger of eye injury, please wear goggles	Warning: danger of hand injury, please wear gloves
Only suitable for lights directly installed on the surface of non-combustible materials	Replace all shattered protective covers	Shortest distance from the illuminated object (m)	Rated maximum ambient temperature	Indoor use only	Do not point the lens towards the sun or strong light	Operation is not allowed during running

Features

1. Focusing method: electric focusing
2. Ports: Video input: Waterproof HDMI*1; Audio output: Waterproof 3.5mm interface; USB: Waterproof Type*1
3. Display technology: DLP 0.47 DMD
4. Throw ratio: 1.2 (38 inches/1 meter)
5. Screen resolution: 1920*1080
6. Screen contrast: 100,000:1
7. Brightness: ≥3800lm
8. Noise: ≤38dB

Specification

Input voltage	AC 110-240V 50/60Hz · 450W
Light source chip	OSRAM LED RGB
Average lifespan	20000H
Protection grade	Ip65
Operating temperature	-15 ~50
Material	All aluminum alloy oxidized material
Product size(L×W×H)	353×160×341mm
Packaging size (L×W×H)	415×220×370mm
Gross weight	7.1kg(1PCS)
Net weight	6.3kg

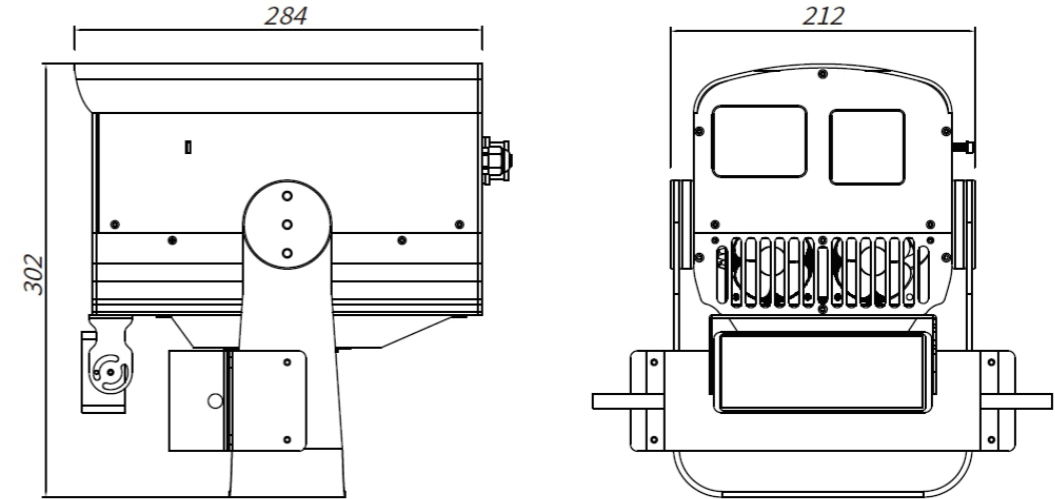


4500LM Interactive projector

TL-LT502



Dimension



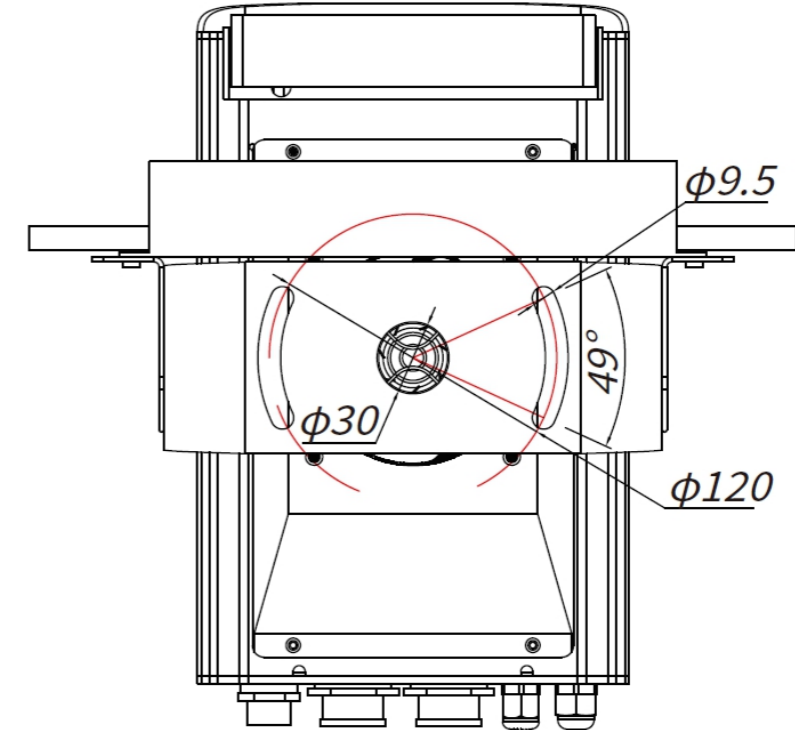
Features

- *Projection angle: Support four-corner adjustment, adjust the four corners of the picture until the appropriate position
- * Automatic startup: supports automatic startup, no need for manual startup, easy to use
- * All-round installation: 720° all-round installation, simple and easy installation
- *Multimedia playback: built-in video and picture playback function
- *Control mode: RJ-45 (TCP/IP control), compatible with DMX512, capable of overall linkage
- *Input port: 1 HDMI USB TypeA2 (waterproof interface)
- *Control port: 1 wired LAN RJ45 (waterproof interface)
- *Output port: audio (optional)
- *Interactive effect: built-in interactive effect device (optional support available)
- *Preset effects: built-in interactive fusion (optional multiple interactive effects)
- *Splicing structure: edge blending, splicing (optional support available)

Installation

Specification

Input voltage	AC 110-240V 50/60Hz · 240W
Display chip	Texas Instruments DLP 0.47 DMD chip
Resolution	1920×1080
Visual brightness	4500 lumens
Contrast	250,000:1
Display color	16.7 million colors
Throw ratio	0.8:1 (optional 1.2:1)
System solutions	RK3399, Android system
Running memory	4GB
Hard drive memory	64GB
Image ratio	16:9 compatible with 16:10/4:3
Working noise	38dB(TBD)
Average life span	20000H
Protection level	Ip65
Material	All aluminum alloy shell
Product size (L×W×H)	284×212×302mm
Packaging size (L×W×H)	450×388×293mm
Gross weight	11kg(1PCS)
Net weight	8.3kg



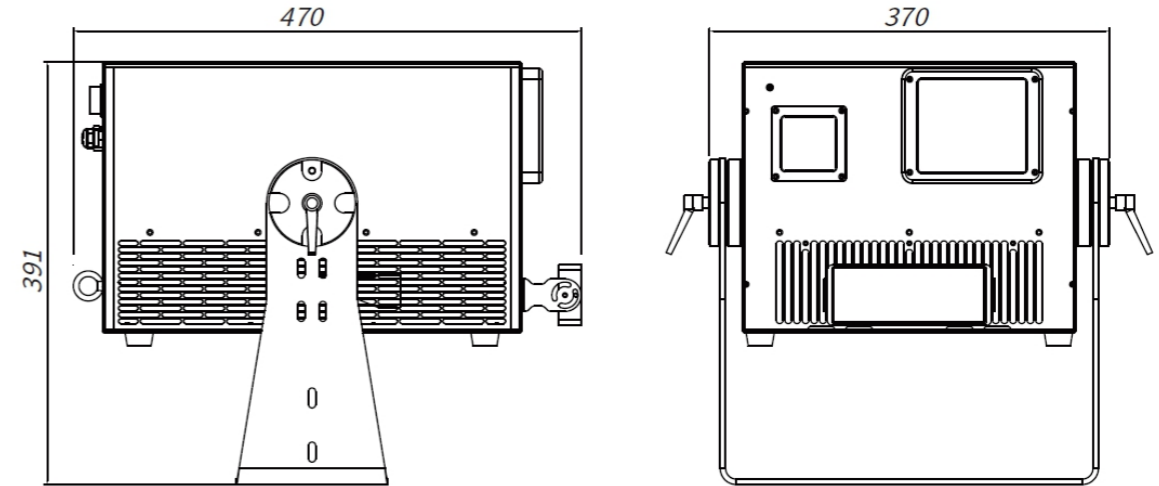


6500LM Interactive projector

TL-LT503



Dimension



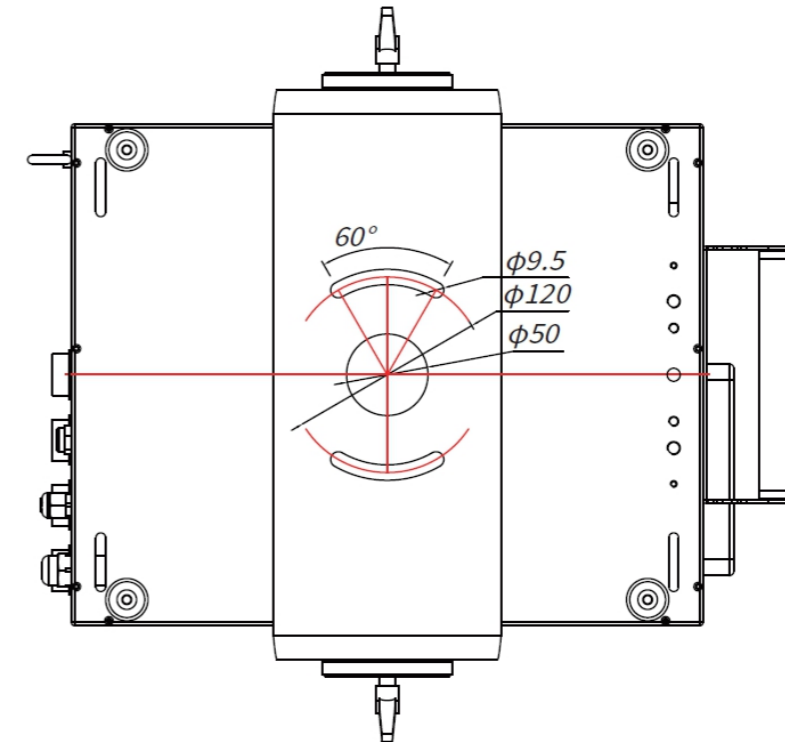
Features

- *Projection angle: Support four-corner adjustment, adjust the four corners of the picture until the appropriate position
- *Automatic startup: support automatic startup, no need for manual startup, easy to use
- *All-round installation: 720° all-round installation, simple and easy installation
- *Multimedia playback: built-in video and picture playback function
- *Control mode: RJ-45 (TCP/IP control), compatible with DMX512, capable of overall linkage
- *Input port: 1 HDMI USB TypeA2 (waterproof interface)
- *Control port: 1 wired LAN RJ45 (waterproof interface)
- *Output port: audio (optional)
- *Interactive effect: built-in interactive effect device (optional support available)
- *Preset effects: built-in interactive fusion (optional multiple interactive effects)
- *Splicing structure: edge blending, splicing (optional support available)

Specification

Input voltage	AC 220V 10% · 50/60Hz · 500W
Display chip	Texas Instruments DLP 0.65 DMD chip
Resolution	1920×1080
Visual brightness	6500 lumens
Contrast	100,000:1
Display color	16.7 million colors
Throw ratio	0.8:1 (optional 0.52:1, 0.75:1, 1.1:1)
System solutions	RK3399, Android system, customizable PC architecture system solution
Running memory	4GB
Hard drive memory	64GB
Image ratio	16:9 compatible with 16:10/4:3
Working noise	38dB(TBD)
Average life span	25000H
Protection level	Ip65
Material	All aluminum alloy shell
Product size (L×W×H)	470×370×391mm
Packaging size (L×W×H)	560×450×377mm
Gross weight	23kg(1PCS)
Net weight	20.4kg

Installation



Control equipment





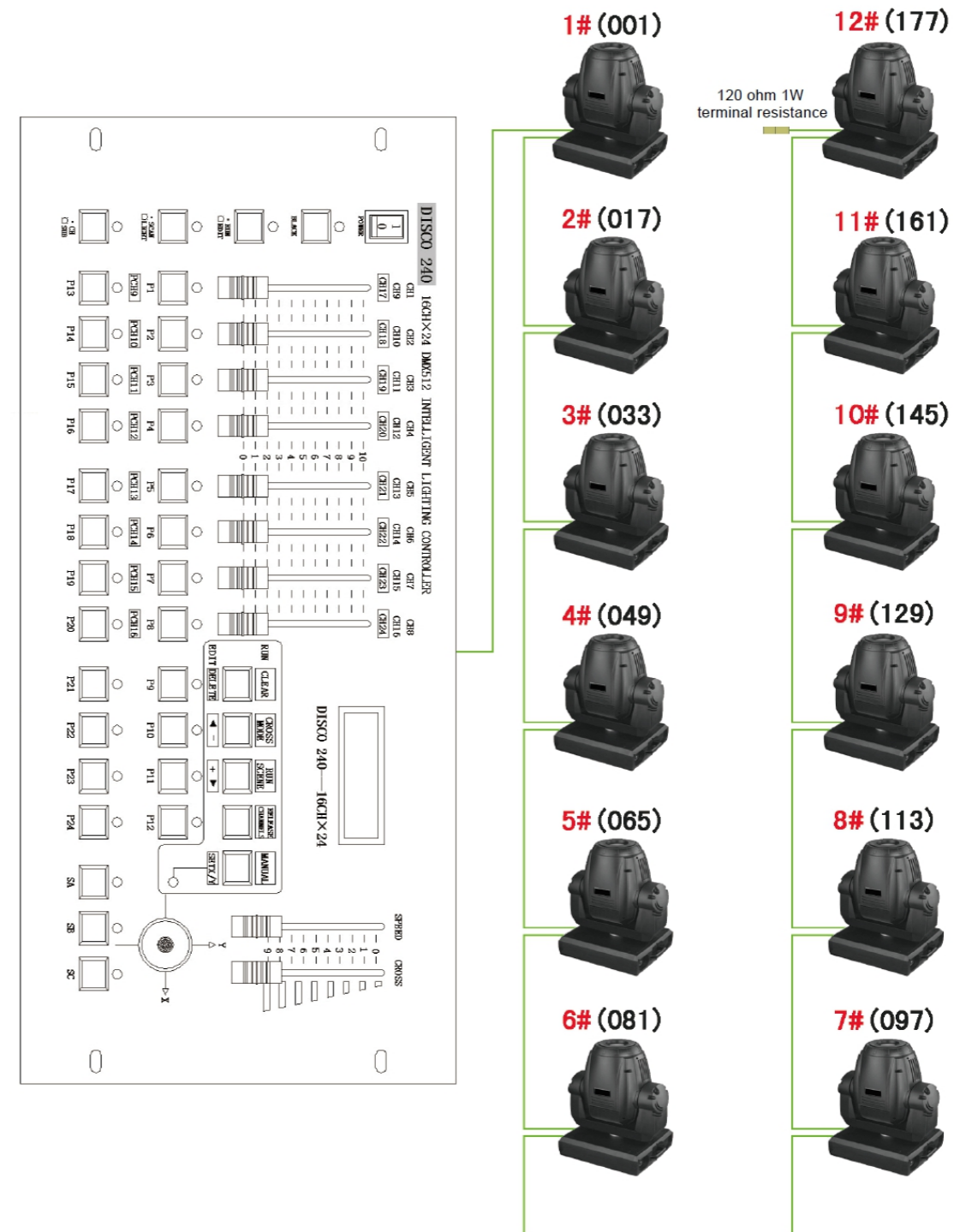
Features

- * 240 channels in total
- * 12 controlled computer lights
- * Maximum 16 channels of controlled computer lights
- * Maximum 40 steps (scenes) of the program
- * 480 steps (scenes) of the program in total
- * Scene pause time: 0.1-25.5S/step
- * Scene gradient speed: 0.1-25.5S
- * 24 dimming channels
- * Display: LCD screen, 16*2 characters and DMX512 output port: 3-pin XLR pin base and hole base.
- * Storage capacity: 128K large capacity memory card.

Specification

Model	TL-SL701
Input voltage	AC 220-240V 50/60Hz
Fixture size (L×W×H)	483×178×80mm
Package size (L×W×H)	510×305×130mm
Gross weight	3.4kg
Net weight	2.6kg

Cable connection and address dialing diagram



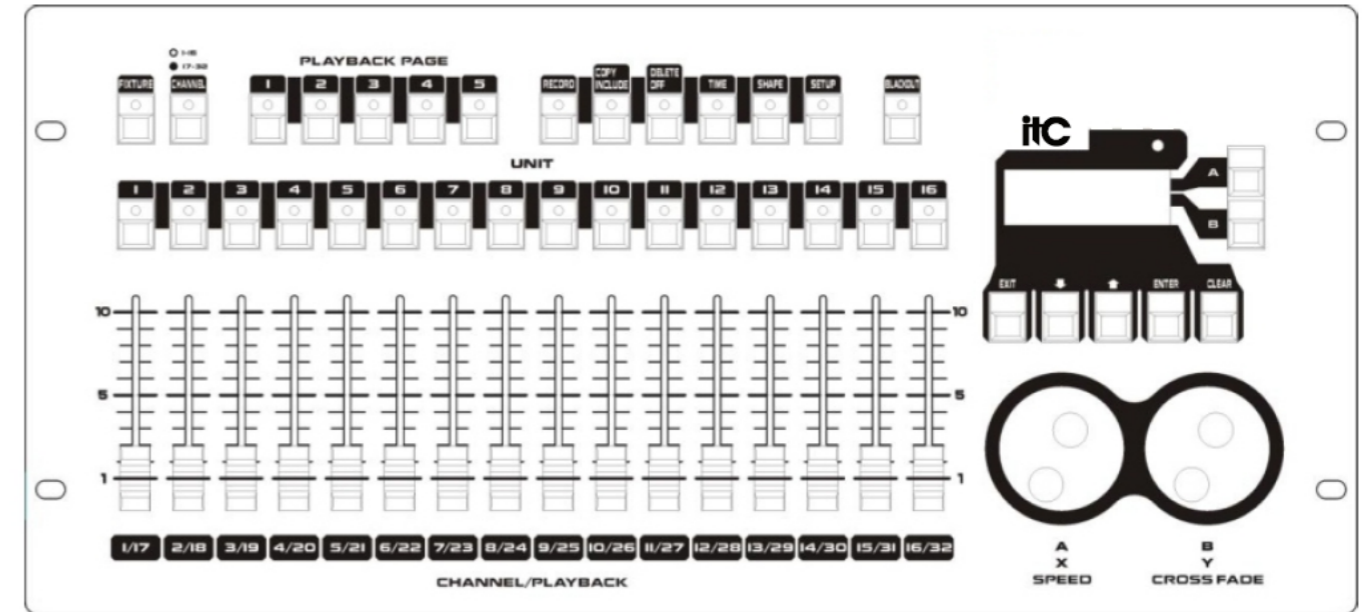


Features

- * DMX512/1990 standard, a maximum of 256 DMX control channels, and one photoelectric isolation signal output.
- * Control a maximum of 16 computer lights or 64 dimming channels.
- * Automatically generate the lamp library.
- * Backlight LCD display, Chinese and English language switching.
- * The built-in graph trajectory generator has 35 built-in graphs, which are convenient for users to control graphics trajectory of the computer lights, including circle, spiral, rainbow, chasing and other effects.
- * Graphic parameters (such as amplitude, speed, interval, wave and direction) can be set independently, making it more convenient to design the desired shapes and scenes.
- * 80 playback scenarios can be stored for multi-step scenario and single-step scenario. Each multi-step scenario can store up to 100 scenarios.
- * 16 playback scenarios can be output and run simultaneously.
- * Equipped with 16 centralized fader; support button control and fader control.
- * Data can be kept in memory if shutdown or sudden power outage happens.
- * Support console data backup and re-importing data to console via a U disk. Data in the console of the same model can be shared.
- * Support remote software upgrade. You can add new functions anytime and anywhere.
- * You can control the attributes of the computer light by preset fader, which is more convenient and fast.
- * Support immediate fade-out.

Specification

Input voltage	AC 110-240V 50/60Hz, 200W
Light source	COB white light 200W LED 3200K
Average life	50000H
Color temperature	3200K apparent value Ra ≥ 90
Optical angle	19 degrees (26 degrees optional)
Display interface	LCD liquid crystal display + four keys / Support English and Chinese switching
Signal input / output	3P-XLR input / output, DMX512 signal.
Channel	2 channels
Luminaire material	die-casting aluminum
Working environment	-20°C~45°C
Protection level	Ip20
Luminaire size (L×W×H)	630×273×236mm
Package size (L×W×H)	700×330×300mm
Gross weight	9.4KG (1PCS)
Net weight	7.7KG





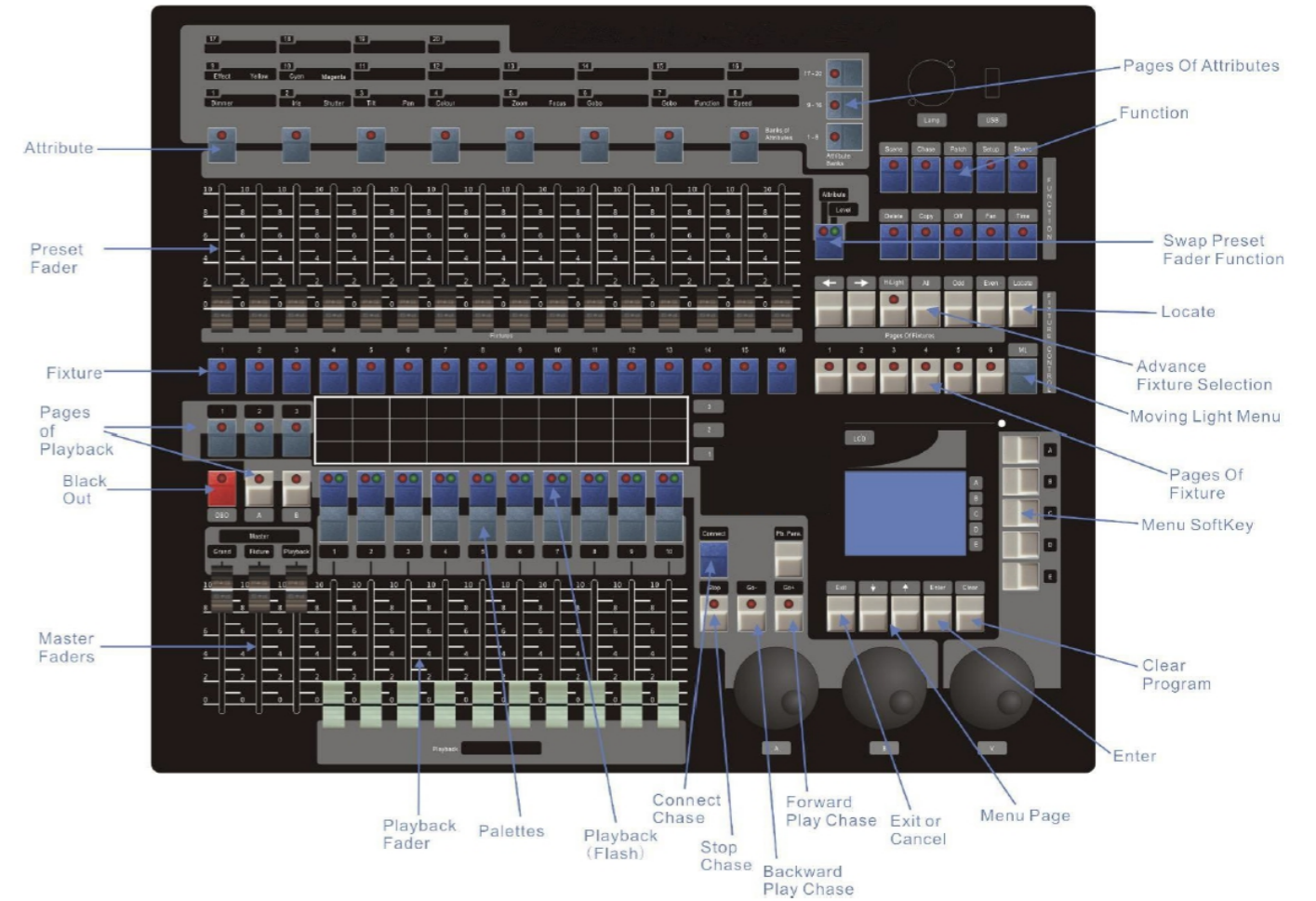
Features

1. DMX512 channel : 1024
2. Fixture : 96
3. Re-atched Fixture address : support
4. Swoop Pan/Tilt : support
5. Reversed channel outout : support
6. Channel slooe modification : support
7. Channels for each fixture : 40 primary + 40 fine tune
8. Library : volite Pearl R20 library supported
9. Scene : 60
10. Scenes to run simultaneously : 10
11. Scene step : 600
12. Time control of scenes : Fade in/out, LTP slope
13. Shapes for each scene : 5
14. Scene and dimmer by slider : support
15. Interlocked scene : support
16. Button controlled scene : support
17. Shape generator : Shapes of Dimmer, Pan/Tilt, RGB, CMY, Color, Gobo, Iris and Focus
18. Shapes to run simultaneously : 10
19. Master slider : Global, playback, fixture
20. Real time blackout : support
21. Channel value by wheel : support
22. Channel value by slider : support
23. Dimmer by slider : support
24. USB Memory : FAT32 supported
25. Art-net protocol and RDM protocol : support

Specification

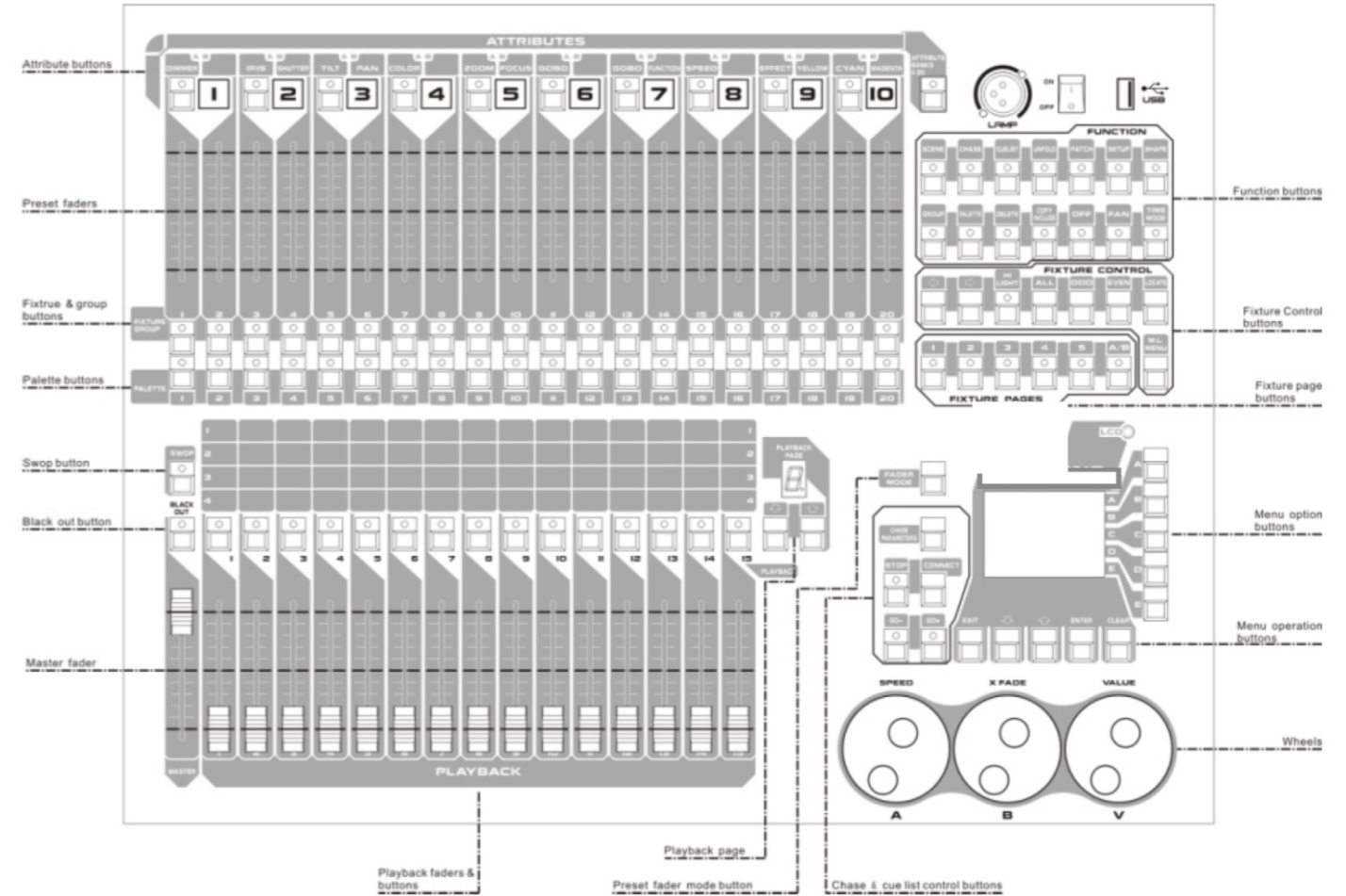
Input voltage	AC 100-240V/50-60Hz , 15.6W
Dimension (L×W×H)	485×400×105
Net weight	8kg
Carton dimension (L×W×H)	565×485×210
Carton gross weight	10KG
Flight case (L×W×H)	565×485×225
Flight case gross weight	17kg

Front Panel





Layout



Features

- * DMX512/1990 standard, a maximum of 2048 DMX control channels, and four photoelectric isolation signal output channels.
- * Control a maximum of 200 computer lights or 200 dimming channels.
- * Use the pearl lamp library (R20 lamp library), and support editing the lamp library on the console.
- * Backlight LCD display, Chinese and English language switching.
- * The built-in graph trajectory generator has 227 built-in graphs, which are convenient for users to control graphics trajectory of the computer lights, including circle, spiral, rainbow, chasing and other effects.
- * Graphic parameters (such as amplitude, speed, interval, wave and direction) can be set independently, making it more convenient to design the desired shapes and scenes.
- * Each scene can save 5 graphs; 10 graphs can be run at the same time.
- * Program recording function; up to 100 programs can be stored for light shows.
- * Built-in time code and external MIDI trigger function make it easy to realize a dazzling light show with one key.
- * The scene can be overlapped, and the graphs have width parameters, which can be programmed more quickly.
- * With advanced marshalling function.
- * It can store 100 materials, which can be set freely for material sharing or independent material.
- * There are four material storage modes; material storage and invocation are more flexible and convenient.
- * 150 playback scenarios can be stored for multi-step scenario and single-step scenario. Each multi-step scenario can store up to 600 scenarios.
- * 15 playback scenes can be output and run simultaneously.
- * Equipped with 15 centralized fader; support button control and fader control.
- * Support functions such as reconfiguration of section address codes, vertical and horizontal conversion, and reverse channel output, etc.
- * Data can be kept in memory when shutdown or sudden power outage happens.
- * Support console data backup and re-importing data to console via a U disk. Data in the console of the same model can be shared.
- * Support remote software upgrade. You can add new functions anytime and anywhere.
- * With offline pre-programming function.
- * You can control the attributes of the computer light by preset fader, which is more convenient and fast.
- * Support immediate fade-out and scenarios interlock.
- * Professional gooseneck work light, suitable for indoor and outdoor performances (optional).

Specification

Model	TL-SL704
Input voltage	AC 110-240V 50/60Hz
Fixture size (L×W×H)	600×460×120mm
Package size (L×W×H)	690×535×220mm
Gross weight	13.5kg
Net weight	10.7kg



Features

- * 1024 DMX channels, and 2 photoelectric isolation DMX output ports.
- * 7" TFT-LCD touch screen, Chinese and English operation interface.
- * Backlight keys, with three backlight color combinations.
- * 4 photoelectric data control wheels with backlight.
- * 15 playback program fader × 40 pages, a total of 600 playback programs can be stored. A maximum of 15 playback programs can be output at the same time.
- * A maximum of 400 lamps can be controlled.
- * A maximum of 400 lamp groups can be stored.
- * A maximum of 400 material data can be edited.
- * A maximum of 400 user graphics can be stored.
- * A maximum of 400 records of macro performances can be stored.
- * Multi-option keypad. Multiple options such as groups, lamps, materials, user graphics, and macro performances are provided. It is convenient for users to do multi-page selections with the touch screen.
- * Independent color mixing system control wheel. It is especially convenient to control LED lights and computer lights with CMY or RGB channels.
- * Built-in various graphics running effects, provide a variety of parameter settings to create endless changes, and support being saved as user graphics.
- * Provide the program priority function; the performance program can be individually set to 5 levels: lowest, low, normal, high, and highest, and the higher one will run first.
- * Built-in nearly 8000 kinds of computer light library data, compatible with R20 lamp library. The user can edit the system lamp library or create a new user lamp library.
- * Support the standard MIDI device control, support multiple consoles working together in a master-slave manner, and support the console accepting external MIDI time code trigger function.
- * The website supports free download of upgrade files such as lamp library and system version.
- * Built-in electronic hard disk supports performance program backup and running data storage.
- * With a USB interface, you can use a U disk to store multiple user performance files and system backup files.
- * Dimmable 12V gooseneck work light.

Specification

Model	TL-SL711
Input voltage	AC 110-240V 50/60Hz
Fixture size (L×W×H)	482×445×180mm
Package size (L×W×H)	540×260×560mm
Gross weight	19.5kg
Net weight	9.3kg

Playback Section

Playback section is composed of page keys, playback keys, playback faders, and playback master faders. MINI 1000T has 40 playback pages, each page has 15 faders for editing playbacks, thus 600 playbacks can be saved totally. Users can turn pages by keys ↑ or ↓, while indicator led displays the page number. There are keys upon and under each playback faders. Their functions will be introduced in the relevant chapters.



The Rear Panel of MINI 1000T





- * Gigabit network port, support ART-Net.
- * Support udp, rs232, dmx512 to communicate with the central control.
- * Support external display
- * Support wired ART-Net function (light simulator), which can be used for practice and simulation programming
- * Support mobile phone control and can be controlled remotely using a mobile phone or IPAD.
- * Support online control of two consoles
- * The console virtual numeric keyboard supports multi-language switching
- * Support directly changing the address code and line and changing the position of the lamp key after patching the lamp.
- * All performance files on the console support backup to external drives. To prevent file loss, it supports changing server settings and automatically saving them at time intervals.
- * Support setting console password to protect console data
- * The console supports scheduled power on, scheduled shutdown, scheduled playback and end of preset scenes and program light shows.
- * The console supports light show audio track marking or import and export to AU software.
- * All pushrods on the console are made of imported materials, with smooth, stable tracks and strong feel. Data is accurate, no delay, no jitter
- * The turntable encoder uses materials imported from Japan, with accurate data and delicate feel. It can rotate quickly and slowly as desired.
- * All buttons on the console are made of materials imported from Germany, which have a strong feel and powerful rebound.

Specification

Rated voltage	AC110V-240V , 50/60Hz
Rated power	40W
Product size (L×W×H)	660×460×140mm
Flight case size (L×W×H)	760×650×270mm
Net weight	18.6KG
Gross weight	34.1KG
Outer carton size (L×W×H)	770×580×290mm
Outer carton weight	1.6KG

Special Dialog

Special dialogs are dedicated to controlling the CMY Attributes of the fixture. There are three different ways to assign colors: color faders, color plates, or color presets. When adjusting the color palette Attributes, you can directly open <special dialog> for color setting.

Features

- * The operating system is customized and developed based on Linux, and the transmission is more real-time.
- * Intel processor; "Customizable", Kingston DDR4 4G memory stick, industrial control motherboard; 120G Kingston solid state drive
- * 7 DMX output ports, 3584 DMX512 channels. Expandable to 32 DMX outputs, 16384 DMX channels
- * The touch screen adopts BOE medical grade, one 15.6-inch capacitive screens, the sensitivity is 80% higher than the traditional resistive screen, and there is no delay.
- * Built-in multi-language, Chinese operation panel + Chinese computer operating system (Chinese and English can be freely switched).
- * With 6,000 fixture keys, support up to 6,000 fixtures, and support storage of up to 600 fixture groups.
- * Materials are divided into fifteen categories, and each category can store 200 materials. A total of 3,000 materials can be stored.
- * Support storage of 2700 scenes, including unlimited steps in multi-step scenes.
- * Support running 20 scenes at the same time. The scene window can run 15 at the same time, and the fader can run 30 at the same time.
- * Built-in 163 commonly used fixed graphics and 43 curve effects, and support modifying graphics and curve effects through parameters.
- * Support loading 60 graphic effects at the same time, and can be combined at will
- * Support 6 fan-shaped modes and supports modifying the fan-shaped effect through the skill dialog box
- * Support storage of 400 programs.
- * Special dialog box to quickly call colors through color palette, color fader or color preset
- * The vector bitmap function simulates on-site layout and emissions, making the control of lamps more accurate and convenient.
- * Each work window supports linear scaling and is saved as a view for easy continuous recall.
- * Paragraph algorithm, which can be run in segments as you like based on attributes, time, graphics, etc.
- * 15 precision playback faders, 4 precision imported Alpine Apls encoders
- * Three USB3.0 interfaces (two front, one back)
- * The front and back are each equipped with an audio output port and a microphone input port.
- * Built-in music player for easy show compilation and performance rehearsal recording
- * Built-in backup power supply (UPS), it can be used normally even in case of sudden power outage. The backup power supply can support use for more than 30 minutes.
- * Support graffiti-style handwriting or customized naming and other functions
- * With XML format light library. Built-in lighting library editing software supports writing directly on the console or writing on the computer and then copying it into the console (segments can be added to the lighting library to quickly select attributes and characteristics).



(1)Color fader: select the desired color by sliding the window



(2) Color palette: select the desired color area and call the color directly



(3)Color preset: you can click the desired color directly



Features

- * The operating system is customized and developed based on Linux, and the transmission is more real-time.
- * Intel processor; "Customizable", Kingston DDR4 4G memory stick, industrial control motherboard; 120G Kingston solid state drive
- * 16 DMX output ports, 8192 DMX512 channels. Expandable to 32 DMX outputs, 32768 DMX channels
- * The touch screen adopts BOE medical grade, two 15.6-inch capacitive screens, the sensitivity is 80% higher than the traditional resistive screen, and there is no delay.
- * Built-in multi-language, Chinese operation panel + Chinese computer operating system (Chinese and English can be freely switched)
- * With 6,000 fixture keys, support up to 6,000 fixtures, and support storage of up to 600 fixture groups.
- * Materials are divided into fifteen categories, and each category can store 200 materials. A total of 3,000 materials can be stored
- * Support storage of 2700 scenes, including unlimited steps in multi-step scenes
- * Support running 65 scenes at the same time. The scene window can run 20 at the same time, and the fader can run 45 at the same time.
- * Built-in 163 commonly used fixed graphics and 43 curve effects, and support modifying graphics and curve effects through parameters.
- * Support loading 60 graphic effects at the same time, and can be combined at will
- * Support 6 fan-shaped modes and supports modifying the fan-shaped effect through the skill dialog box
- * Support storage of 400 programs.
- * Special dialog box to quickly call colors through color palette, color fader or color preset
- * The vector bitmap function simulates on-site layout and emissions, making the control of lamps more accurate and convenient.
- * Each work window supports linear scaling and is saved as a view for easy continuous recall.
- * Paragraph algorithm, which can be run in segments as you like based on attributes, time, graphics, etc.
- * 15 level knobs to limit the execution power of the device
- * 30 precision playback faders, 4 precision imported Alpine Apls encoders
- * Three USB3.0 interfaces (two front, one back)
- * Audio input and output ports are installed at the front and rear for more convenient operation.
- * Built-in backup power supply (UPS), it can be used normally even in case of sudden power outage. The backup power supply can support use for more than 30 minutes.
- * Built-in music player for easy show compilation and performance rehearsal recording
- * Support graffiti-style handwriting or customized naming and other functions
- * Use XML format light library. Built-in light library editing software, which can be written directly on the console or on the computer
- * Copy into the console (segment sets can be added to the light library and attributes can be quickly selected)
- * Gigabit network port, support ART-Net
- * Support udp, rs232, dmx512 to communicate with the central control
- * Support wired ART-Net function (light simulator), which can be used for practice and simulation programming

- * Support wireless ART-Net function, intelligent control, and AI technology, and can be controlled remotely using a mobile phone or IPAD
- * Support online control of two consoles
- * The console virtual numeric keyboard supports multi-language switching
- * Support directly changing the address code and line and changing the position of the lamp key after patching the lamp.
- * All performance files on the console support backup to external drives. To prevent file loss, it supports changing server settings and automatically saving them at time intervals.
- * Support setting console password to protect console data
- * Support custom setting of console usage time
- * All pushrods on the console are made of imported materials, with smooth, stable tracks and strong feel. Data is accurate, no delay, no jitter
- * The turntable encoder uses materials imported from Japan, with accurate data and delicate feel. It can rotate quickly and slowly as desired.
- * The console supports setting scenes, scheduled playback and end of programs
- * The console supports scheduled power on and scheduled shutdown
- * All buttons on the console are made of materials imported from Germany, which have a strong feel and powerful rebound.

Specification

Rated voltage	AC110V~240V,50/60Hz
Rated power	260W
Product size (L×W×H)	1020×555×330mm
Flight case size (L×W×H)	1180×405×820mm
Net weight	32.3kg
Gross weight	64.75kg

Console back panel





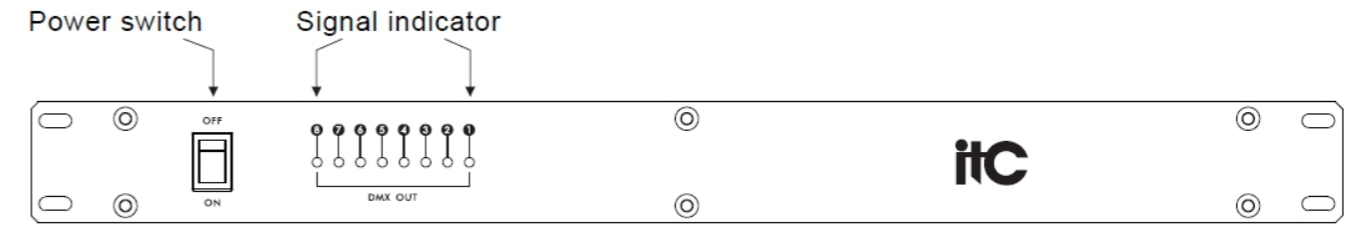
8-channel Signal Amplifier (Wide voltage)

TL-SL731

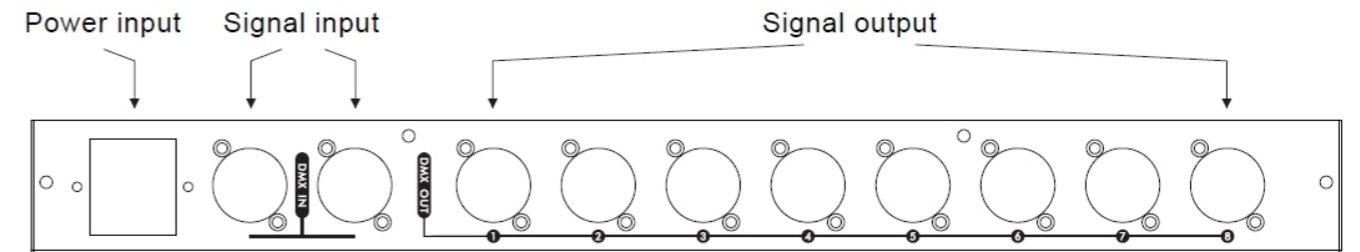


Panel structure

1. Power switch and indicator light.
2. Insurance seat, 3A.
3. Power input.
4. DMX OUT1-8 means 8 isolated outputs (with signal indicator lights).
5. Signal seat: 1 ground, 2 signal -, 3 signal +.
6. Panel diagram:



Front panel



Rear panel

Features

1. DMX512 male and female interface input.
2. Input and output photoelectric isolation.
3. 8-channel independent amplification drive output.
4. The signal amplification and shaping function extends the signal transmission distance.
5. Enhance the ability of data bus to connect more devices. Protect the DMX512 output interface of the lighting console, isolate faults on site, and improve the safety and reliability of the digital lighting control system.
6. Independent LED signal indication.

Specification

Input voltage	AC 110-240V 50/60Hz
Output signal	DMX512/1990 signal
Fixture size (L×W×H)	482×165×44.5mm
Package size (L×W×H)	525×225×105mm
Gross weight	3.5kg
Net weight	2.7kg



Network to DMX converter

TL-SL742



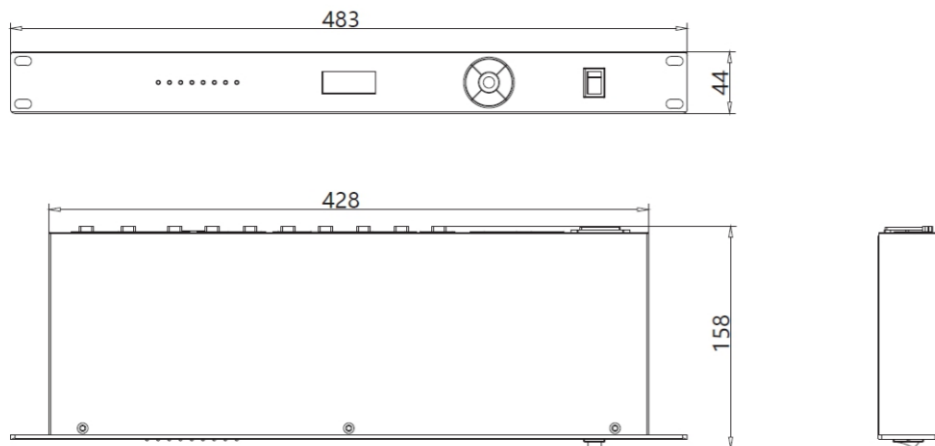
Features

- * Network to DMX512 Signal Type: DMX512/1990
- * 2 network input channels, 8 DMX512 output channels
- * 8 optical isolation signal distributed output channels
- * Support network to DMX512 function
- * Electrical isolation voltage between each input and output interface: >1000V
- * Digital signal indicator
- * DMX signal input connection

Specification

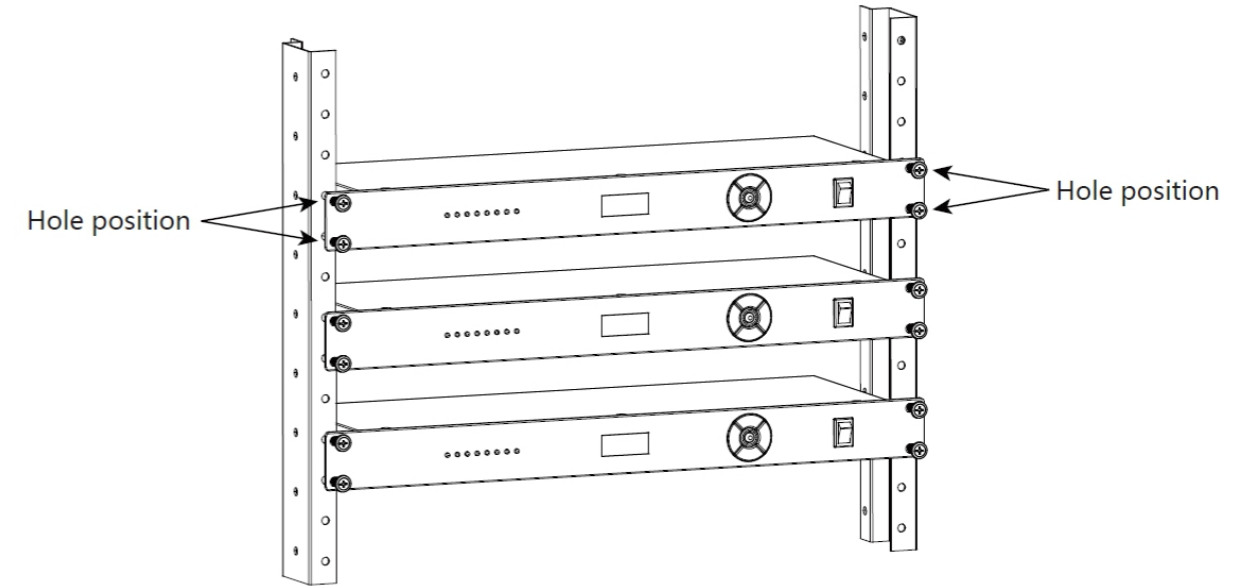
Model	TL-SL742
Input voltage	AC110-240V, 50/60Hz
Output	DMX512/1990 signal
Protection class	Ip30
Product size (L×W×H)	483×158×44mm
Package size (L×W×H)	525×205×105mm
Gross weight	2.2kg (1PCS)
Net weight	1.9kg

Fixture size drawing (mm)

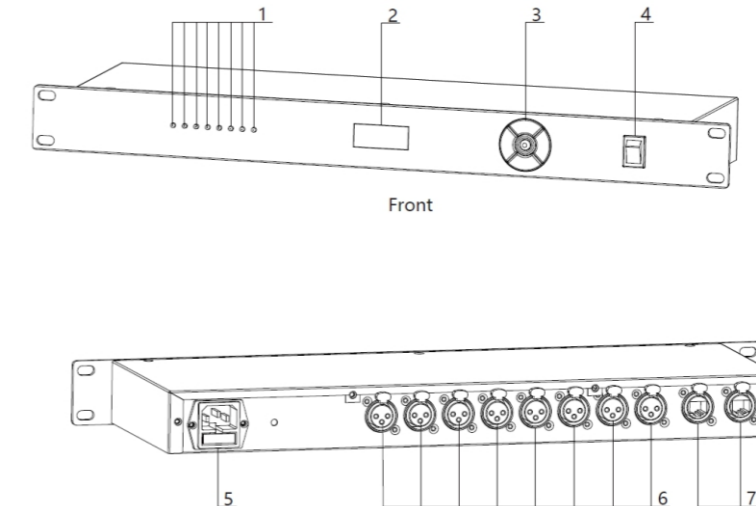


Installation method

1. Take out the device and align the position of the device hole with the installation hole;
2. Lock with screws to secure in the required position;
3. Then connect the equipment's patch cords together;
4. After connecting the patch cord, conduct a power on test.



Panel Introduction

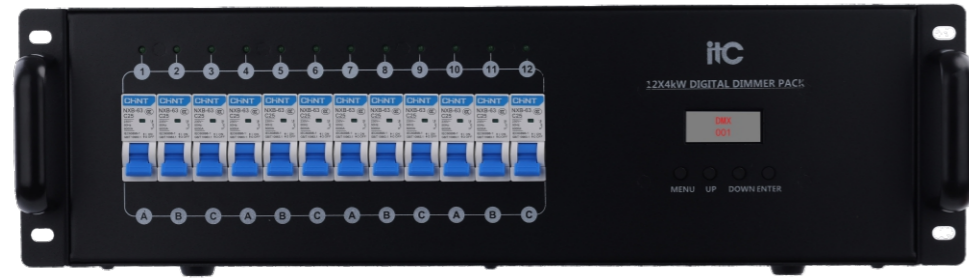


Number	types	
1	Network data link indicator green light	Physical link status
	Network data activity indicator green	Data activity status
	DMX512 signal indicator green light	DMX512 Data Activity Status
2	LCD display screen	Manually set system parameters through the LCD menu. If there is no button operation on the LCD backlight, it will automatically turn off after 5 minutes
3	5 buttons	Up, Down, Left, Right, OK
4	power switch	
5	AC220V power socket	AC110-240V,50/60Hz
6	8 3-core female Canon seats	Output DMX512 signal
7	Network RJ45 terminal	



Straight Box 12*4KW

TL-SL751A



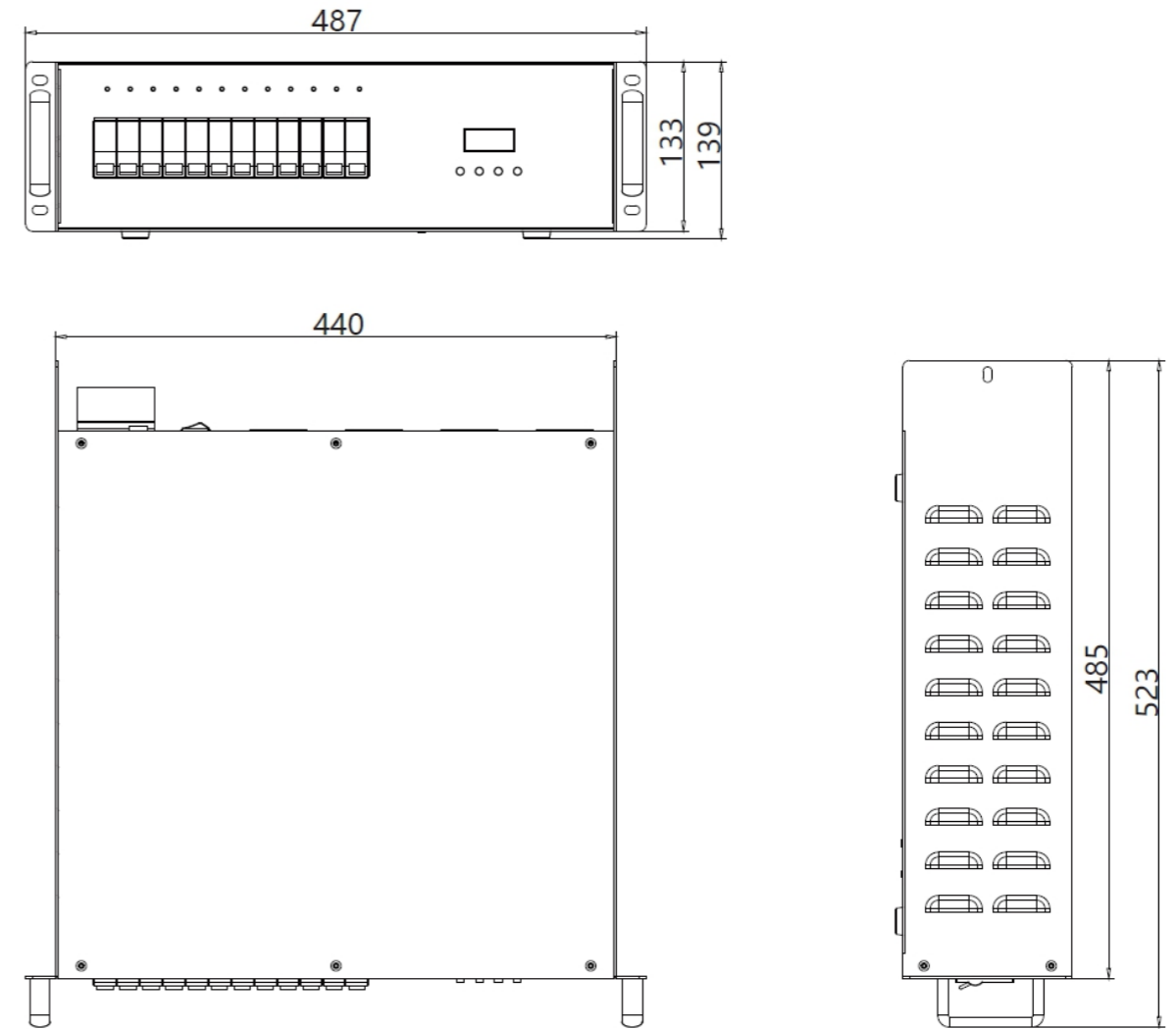
Features

- * High breaking air switch with dual protection of overload and short circuit.
- * 12-channel 32A bakelite plug output.
- * Built-in 12 relays with control, the relay is made of high-quality nickel-plated copper material to trigger instantly.
- * Control mode with international DMX512 signal protocol.
- * The controller can manually turn on and off each channel through the physical buttons or operate the work order in real time on the lighting console.
- * With an LCD screen that can operate the controller interface.

Specification

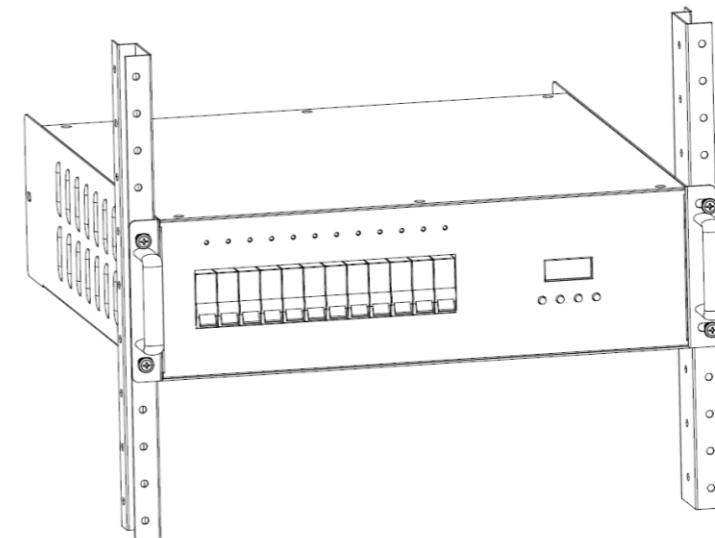
Power supply	Three-phase five-wire system AC380V±10%, frequency 50Hz±5%
Signal interface	DMX-512(1990)
Rated power	12 channels × 4kW. The maximum output power of each circuit can reach 4kW.
Dimensions	International standard 3U
Product size(mm)	L523×W487×H139 mm
Net weight	14.6kg

Fixture size drawing (mm)



Product installation

1. Take out the device and align the position of the device hole with the installation hole;
2. Lock with screws to secure in the required position;
3. Then connect the equipment's patch cords together;
4. After connecting the patch cord, conduct a power on test.

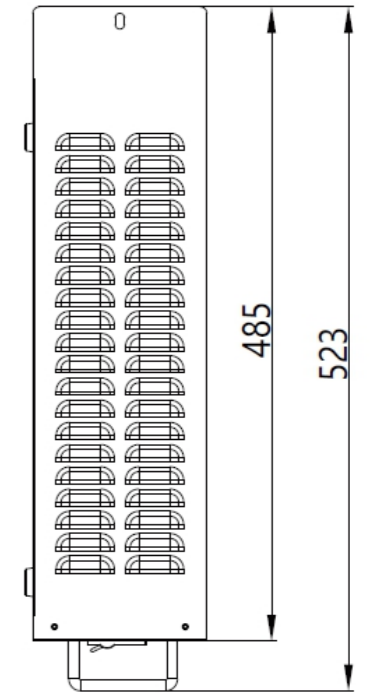
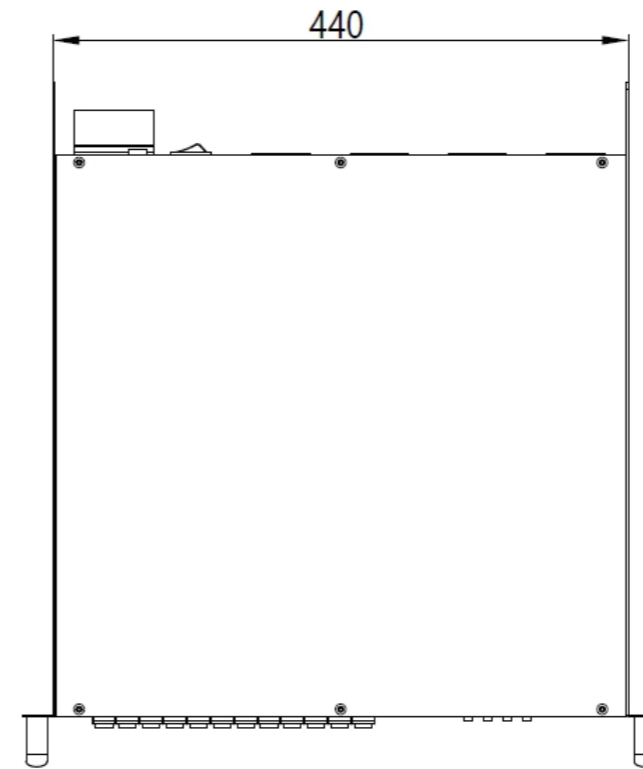
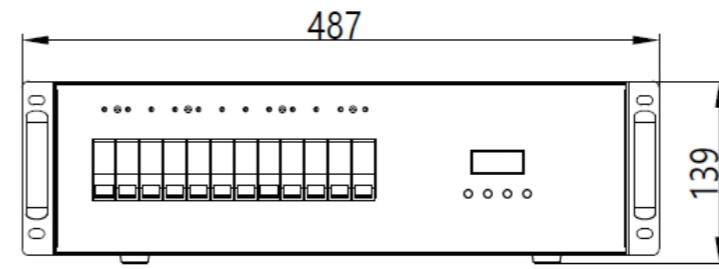




Digital Silicon Box 12*4kw

TL-SL761

Fixture size drawing (mm)



Features

- * SCR chip, the core component of the silicon box, adopts imported materials with stable and reliable performance;
- * Good heat dissipation device and forced air cooling device are combined with intelligent environmental protection control system;
- * Efficient anti-interference choke coil has strong anti-interference ability, small noise, and current rising time of 220us-450us;
- * Start loop setting, and preheating value setting;
- * The dimming curve can be set to linear or on/off state, the value of which is 50%. Under the on/off state, when the input brightness value is greater than or equal to 50%, the corresponding output loop is full, otherwise there is no output.

Specification

Power supply	Three-phase five-wire system AC380V±10%, frequency 50Hz±5%
Signal interface	Digital dual DMX-512 (1990)
Rated power	12 channels×4kW. The maximum output power of each loop can reach 4KW
Cabinet size	International standard 3U
Fixture size	515×485×133mm (L×W×H)
Net weight	14.6kg

Stage Effect Fogger



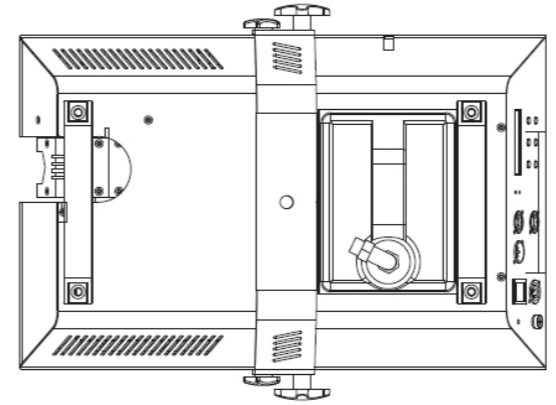
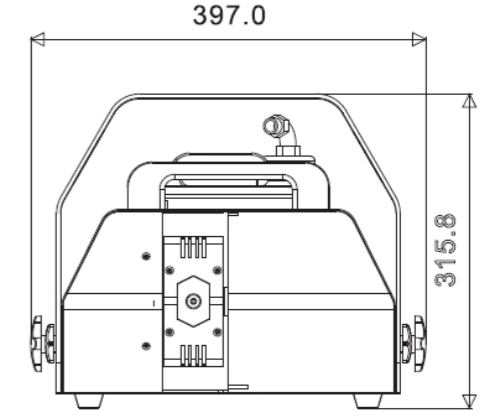
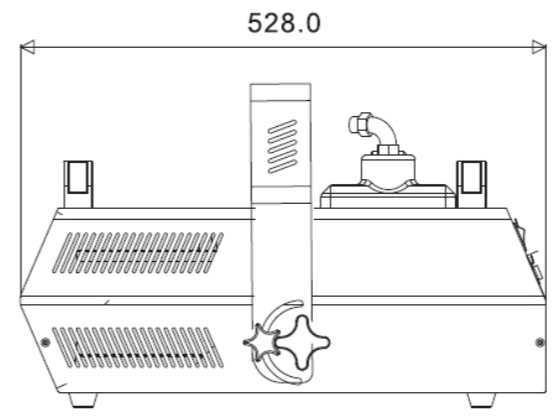


1500W Fog Machine (Adjustable Angle)

TL-SL601



Dimensional Drawing



Features

- 1. Output gear/adjustment range: 1-100
- 2. Maximum fog output: about 26,600 cubic feet per minute
- 3. Maximum spray distance: about 6m
- 4. Maximum liquid consumption: about 7 min/L
- 5. Maximum continuous output time (100 outputs): about 30 seconds
- 6. Spray angle: 0-130° adjustable
- 7. Equipped with mechanical temperature control and electronic temperature control

Specification

Model	TL-SL601
Input voltage	AC110-240V50/60Hz, 1500W
Fuse	10A/250V
Working current	6.5A
Preheating time	About 4.0 minutes
Heater	Heating aluminum
Fog liquid drum	4.0L
Control mode	DMX512 and wireless control
Channel	2CH
Protection class	Ip20
Fixture size (L×W×H)	528×397×316mm
Package size (L×W×H)	615×430×340mm
Gross weight	18.0kg
Net weight	16.0kg



1500W Stage Effect Fogger

TL-SL601B



matters needing attention

- 1.The smoke machine must be placed in a ventilated area and cannot be used in a hole, otherwise it will cause the temperature of the smoke machine to be too high, the temperature control fuse will be disconnected, and the smoke machine will not heat up.
- 2.The smoke machine can be placed flat on the ground or installed parallel to the ground for use at high altitudes, but it cannot be installed at an angle. A minimum of 30cm of space should be maintained around the top and bottom of the smoke machine to facilitate heat dissipation.
- 3.It should be installed in a place that children cannot touch, away from flames and flammable and explosive materials, and 40cm away from the nozzle to prevent burns.
- 4.It is normal for all smoke machines to emit a small amount of smoke (some even have a slight burning smell) during the heating process.
- 5.If the smoke mist decreases, the oil suction pump makes noise, or the smoke cannot be sprayed, the power supply should be immediately cut off. At the same time, check the fuel inventory, fuses, connecting wires, and power plugs. If the problem cannot be solved, please contact the dealer.
- 6.In the absence of people, please do not let the machine work, children should not move, and flammable liquids such as oil, gas, and spices should not be added. When the machine is working, do not touch the wires to avoid electric shock.
- 7.Before starting the machine, please confirm that no liquid or metal foreign objects enter the interior. If there is a malfunction, please contact the dealer. After use, it must be cooled for at least one hour before being placed in the packaging box.The maintenance period of the smoke machine is 1-2 months. Specific maintenance: spray 20%white vinegar and 80% distilled Water heating for 3-5 times after heating!
- 9.Keep the remote control accessories of the cigarette machine safe. If they are lost, the factory generally does not provide them for free!
- 10.The accessories of each smoke machine manufacturer cannot be used for other brands of smoke machines, otherwise they will be damaged!
- 11.Be careful when adding tobacco oil to prevent it from flowing into the machine. Before moving and transporting, be sure to pour out the tobacco oil in the bucket and wipe any liquid dry!

Liability Exemption and Copyright Protection

- The manufacturer shall not be responsible for any damage to the product caused by not following this manual;
- The final interpretation of all information in this manual belongs to the manufacturer;
- All materials in this manual shall not be copied without permission.

Features

- * Fog output: 3500cu.ft/min.
- * Fog liquid consumption: 99min/L.
- * Preheating time: 2.5 minutes.

Specification

Model	TL-SL601B
Input voltage	AC 110-240V 50/60Hz, 1500W
Control mode	DMX512 control, remote control
Fog liquid drum	3.5L
Channel	2CH
Protection class	Ip20
Package size (L×W×H)	530×330×230mm
Gross weight	6.5kg
Net weight	5.8kg

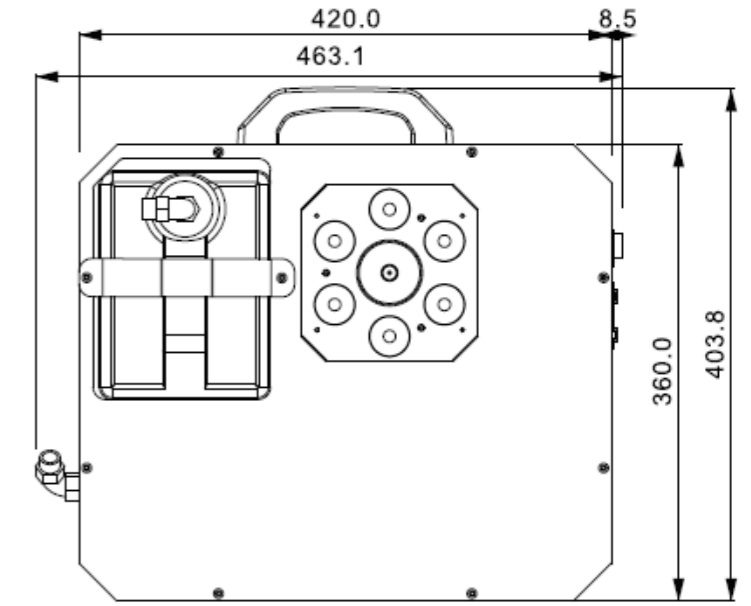
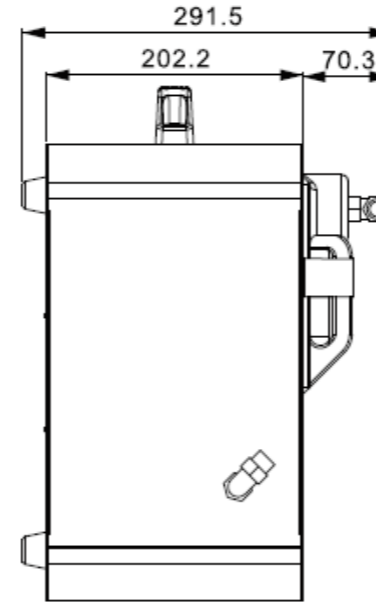


1500W Stage Effect Fogger

TL-SL602



Fixture size drawing (mm)



Features

1. Output size range/adjustment: 1-100
2. Max. smoke output: approx. 26,600 CFM
3. Max. spraying distance: approx. 6 m
4. Max. output fuel consumption: approx. 7 min/L
5. Max. output duration (100 output): approx. 30 seconds
6. Smoke angle: 0-130° adjustable
7. With mechanical temperature control and electronic temperature control

Specification

Model	TL-SL602
Input voltage	AC 220-240V 50Hz 1500W
Fuse	10A/250V
Working current	6.5A
LED color	RGBWAP, adjustable color
Power of a lamp bead	10 W
Number of lamp bead	6 pieces
Preheating time	About 4.0 minutes
Heater (heating aluminum/speed heater)	Heating aluminum
Fog liquid drum	4.0 L
Control mode	Support DMX512 and wireless control, the maximum wireless control distance can reach 50m
Channel	7/11CH
Protection class	Ip20
Product size (L×W×H)	463×404×291.5mm
Package size (L×W×H)	515×460×350mm
Net weight	11.5kg

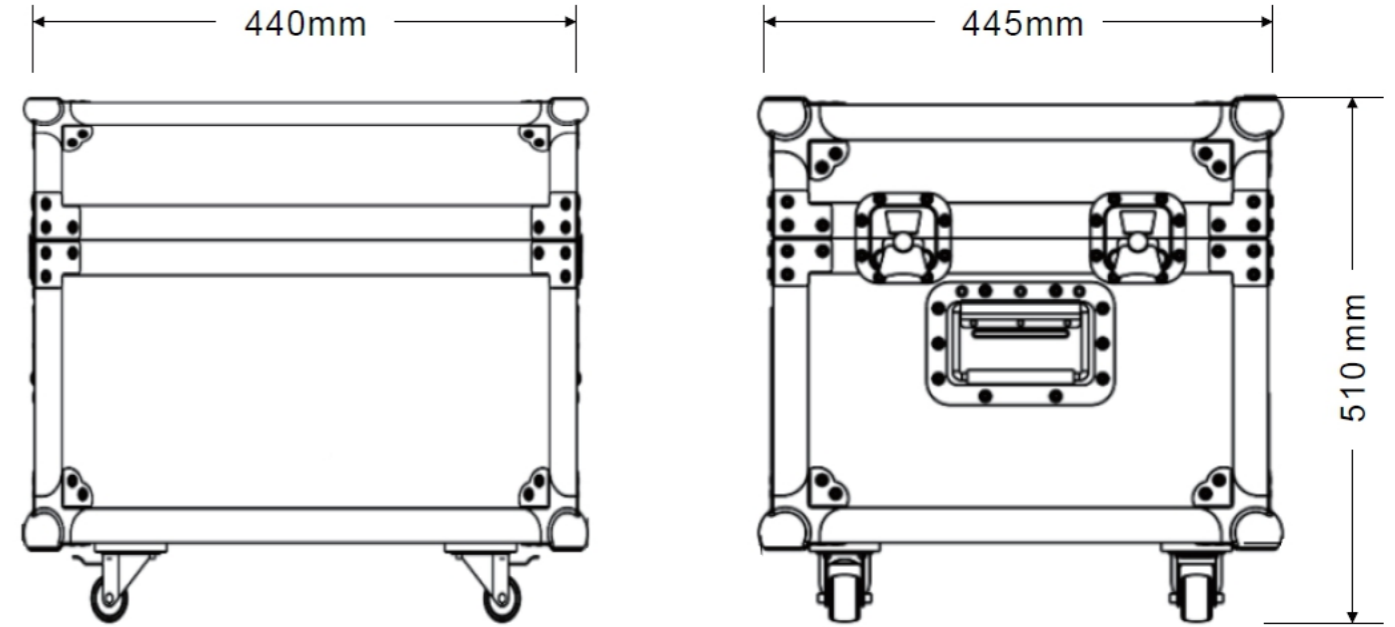


750W Stage Effect Fogger

TL-SL611



Fixture size drawing (mm)

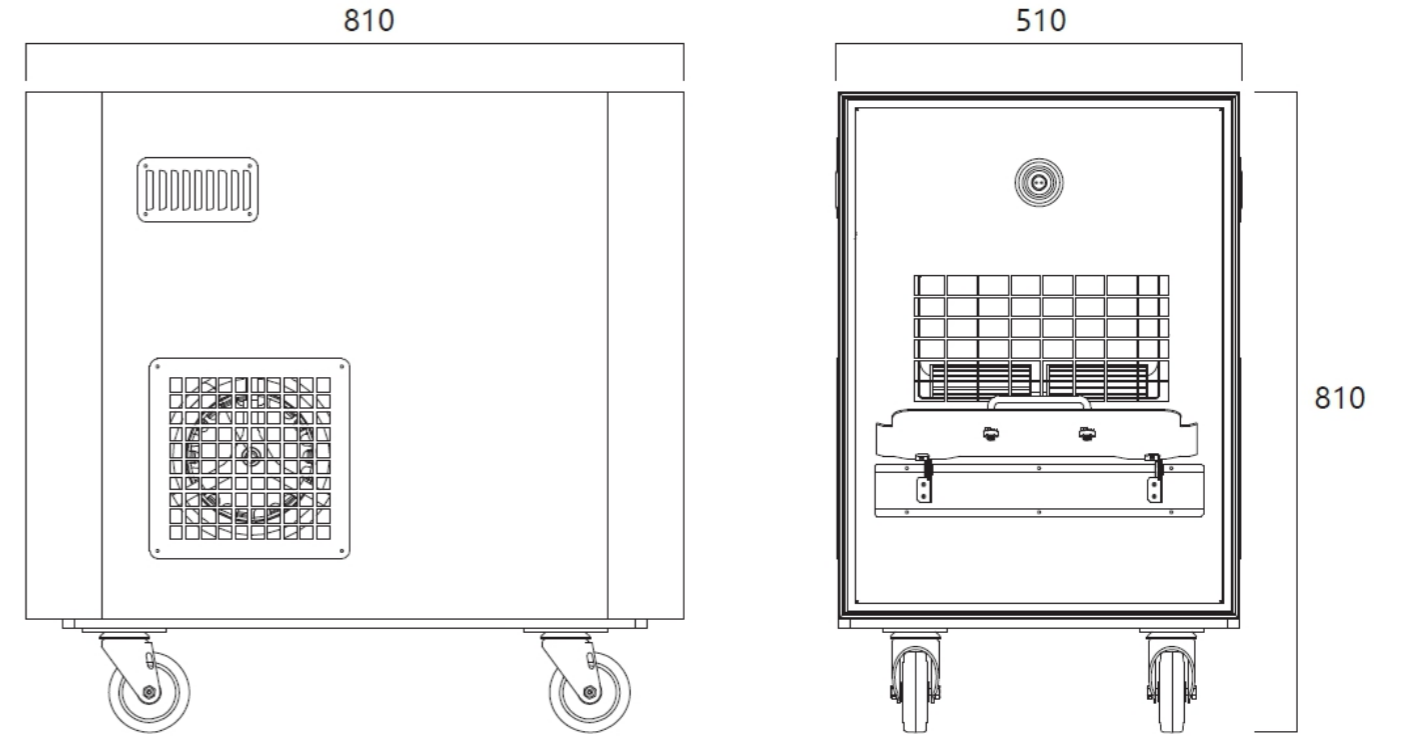


Features

- 1. Fog output: 3200cuft/min
- 2. Preheating time: 0Min

Specification

Model	TL-SL611
Input voltage	AC 220-240V 50Hz, 750W
Fuse	10 A/250 V
Working current	6.5A
Fog liquid drum	2L
Fog liquid consumption	24h/L
Control mode	DMX512 control, remote control; 2 channels; Channel 1: turn on and off the fog output
Channel	Channel 2: adjust the wind power
Protection class	Ip20
Product size (L×W×H)	445×440×510mm (flight case)
Net weight	36.0kg



Features

- *Preheating time: 10min
- *Liquid consumption: 5min/L (100%)
- *Fog output: 2300m³/min
- *Spray distance: 30-50 meters
- *Control mode: DMX512/manual/touch control
- *Tank capacity: 6L+6L
- *Fan angle: 0-180° mechanically adjustable
- *Wind force: Digital linear adjustment
- *Operation interface: LCD full touch display
- *Timing control: Support

Specification

Input voltage	AC220-240V/60HZ, 4000W
Current limit insurance	220V/10A
Channel	2CH
Dimension (L×W×H)	810×510×810mm
Net weight	68.5kg
Package method	Flight case



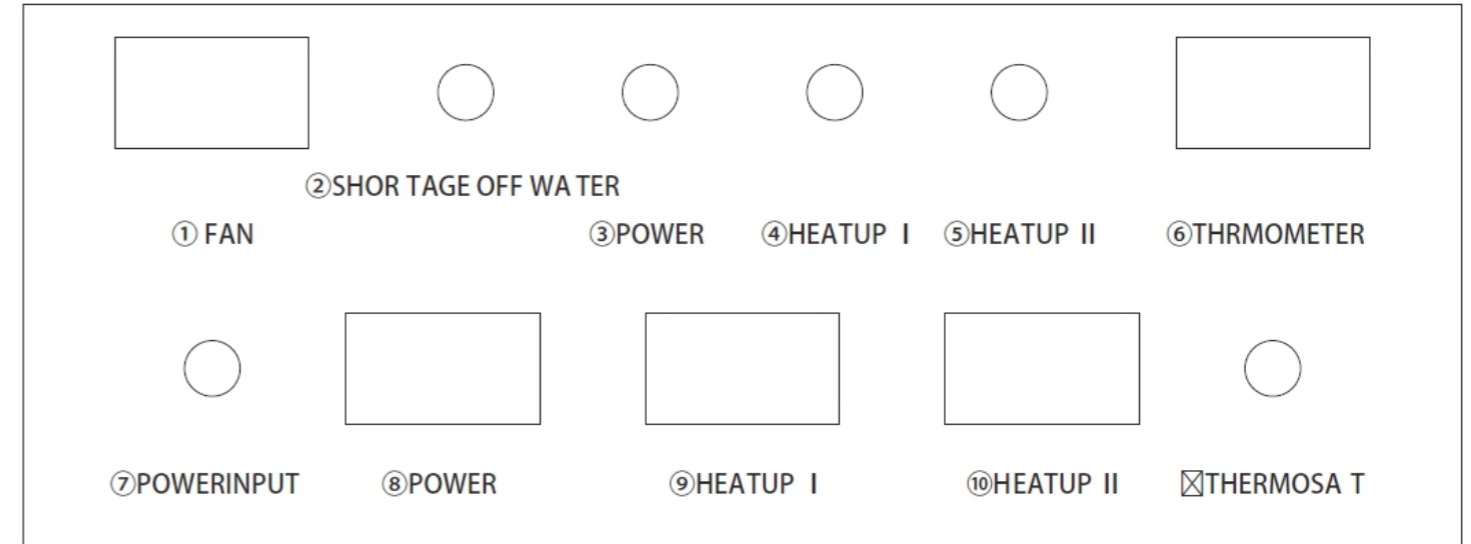
3500W Dry Ice Machine

TL-SL622



Product introduction

Kindly please read this manual carefully before operating the machine. Thank you for purchasing our product at first, please kindly read the manual carefully and operate the machine strictly to it for better operating and your safety, and in case of any body injury or damage to the unit.



1. Fan-switch for fan
2. SHOR TAGE OFF WATER -indicator for short age of water
3. Power-indicator for power supply
4. HEATUP I -indicator for heating Pipe I
5. HEATUP II -indicator for heating Pipe II
6. THRMOMETER -showing temperature of the water tank
7. POWERINPUT -input power supply
8. POWERINPUT -switch for main power supply(Leakage Protection Switch)
9. HEATUP I-switch for heating pipe I
10. HEATUP II -switch for heating pipe II
11. THERMOSA T-preset knob for increasing temperature of water tank

Features

- * Preheating time: 15 minutes.
- * Fog output: 25000 cubic feet per minute.
- * Coverage: 80-200 square meters.

Specification

Model	TL-SL622
Input voltage	AC 110-240V 50Hz, 3500W
Control mode	Power control
Water capacity	4L
Protection class	Ip20
Product size (L×W×H)	860×470×590mm
Package size (L×W×H)	940×530×570mm
Gross weight	29kg
Net weight	26.5kg



1500W Snow Effect Machine

TL-SL631



Features

- *Coverage: 100 square meters.
- *Color mixing: RGB color mixing system.

Specification

Model	TL-SL631
Input voltage	AC110V~120V 60Hz/AC220V~240V 50Hz, 1500W
Light source	RGB-LED-12pcs 10W
Snow liquid drum	5L
Control mode	Remote control-DMX-512, timed and quantitative
Protection class	Ip20
Product size (L×W×H)	620×260×270mm
Net weight	19.5kg

Introduction to Usage

Preparation before startup

1. Connect the power cord, turn on the power, and the machine enters the operating state



2. When the machine is in operation, add an appropriate amount of snowflake oil to the oil pot at the same time.



Illustration



- 1.Handle
- 2.Snow Oil Pot
- 3.Spray port
- 4.LED colored lights
- 5.Power interface
- 6.Fuses
- 7.Main switch
- 8.DMA interface
- 9.Display screen
- 10.Keys

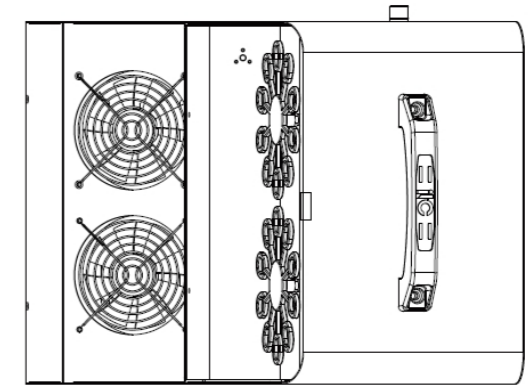
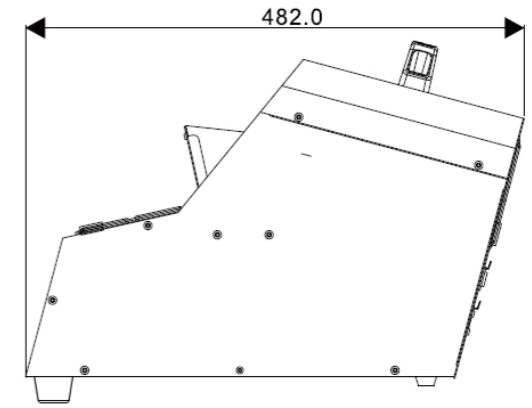
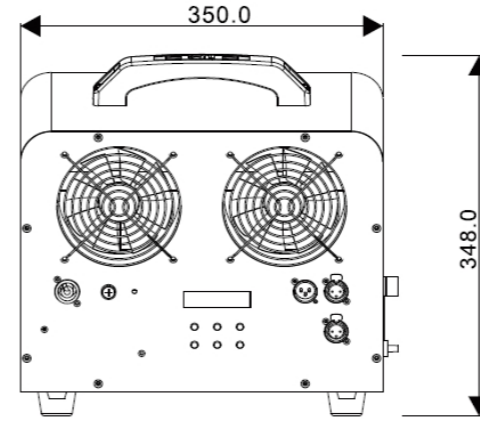


100W Bubble Effect Machine

TL-SL641



Fixture size drawing (mm)



Features

1. Blowing height: 10 meters.
2. Duration: 100 minutes.
3. Coverage: 200 square meters.
4. Features: The bubble machine features small size, convenient movement, high bubble rate, and wireless remote control. Adopting the double-wheel high-speed bubble output, and turning the blower up, the machine has good stability, more bubbles, even rate, large coverage, and no noise. It is widely used in various performances and celebrations.

Specification

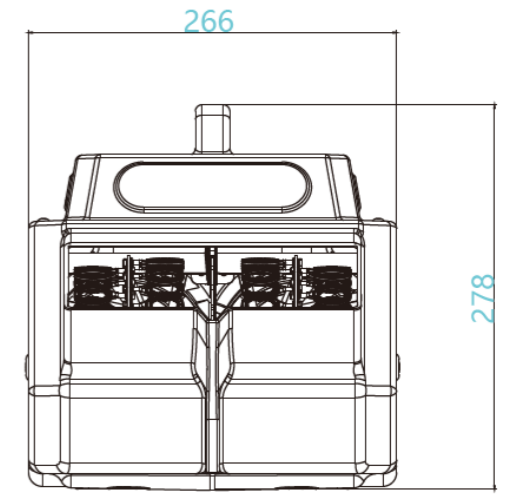
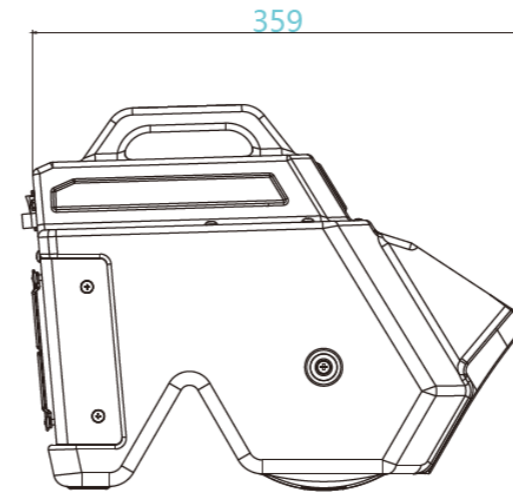
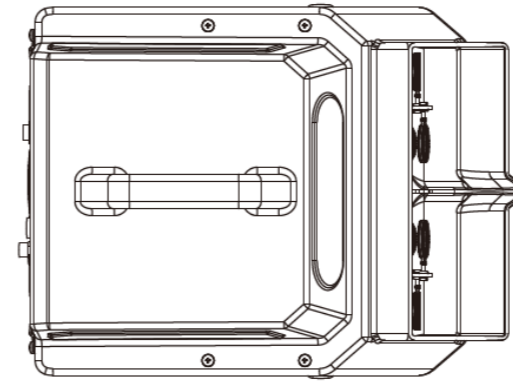
Mode	TL-SL641
Input voltage	AC 110-240V 50Hz, 100W
Fuse	10A/250V
Control mode	Wireless remote control (30 meters), manual control, DMX512 control
Bubble liquid capacity	2.5L
Channel	2CH
Protection class	Ip20
Product size (L×W×H)	482×350×348mm
Package size (L×W×H)	555×420×415mm



14W Stage Bubble Machine

TL-SL643

Fixture size drawing (mm)



Features

- *Equipped with 4 bubble wheels, it can continuously produce a lot of bubbles that are not easy to pop.
- *One-piece plastic housing, completely sealed base, liquid is not easy to spill when moving the device, and there is no problem of rust.
- *The large outlet powerfully blows bubbles upwards and at the same time recovers the bubble liquid so that it will not leak out.
- *It can be used with a wired controller or a wireless controller (optional) for simple operation. The novel and cute appearance is undoubtedly the best helper to create a climax of activities.
- *With a handle on top, plus optional lifting handle, it can be easily used in various celebrations, dances and exhibitions, etc.

Specification

Input voltage	230V, 240V 50Hz, 14W
Fuse	T1A/250V
Liquid tank capacity	2L
Bubble liquid consumption	16ml/min
Power cord connector	Outlet type
Housing material	Blue plastic case
Lifting method	Handle on top, optional lifting handle
Product size (L×W×H)	359×266×278mm
Package size (L×W×H)	390×280×295mm
Net weight	4.4kg
Gross weight	5.25kg