



itc | (T-7700 Series)

IP Network Audio System & Intercom Communication System



Guangzhou Baolun Electronics Co., Ltd

Add: Building A13-1 Yiku Industrial Park, The Hills, Dongyi Road Panyu District Guangzhou China 511492

Tel: +86-20-34549655, 84593197, 31104730, 31104729 Fax: +86-20-84548799

Website: www.itctech.com.cn E-mail: info@itc-pa.com.cn

* Specifications are subject to change without notice.



Company Introduction

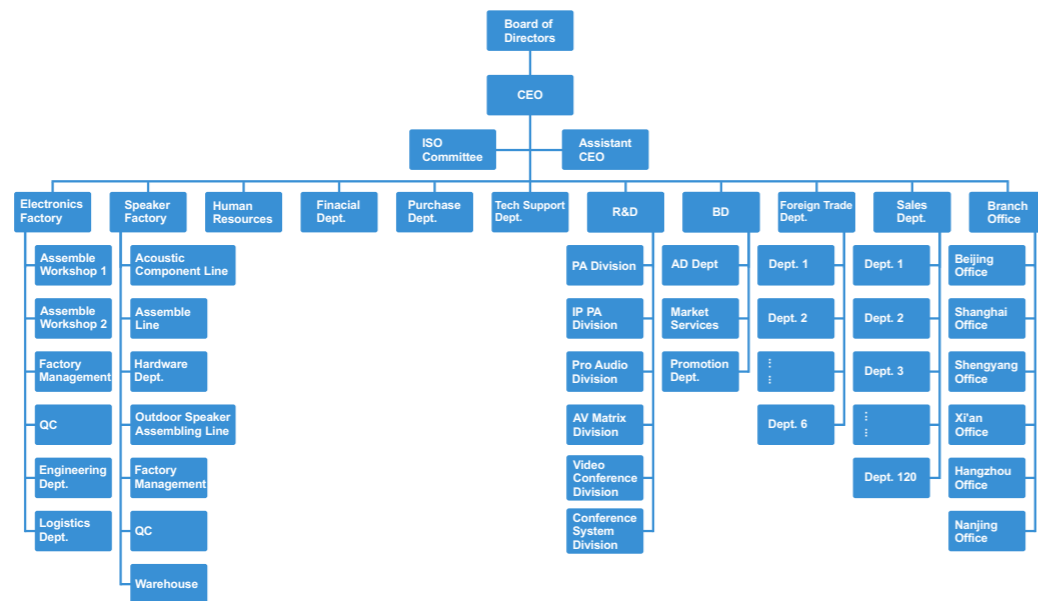
Guangdong Baolun Electronics Co., LTD. (ITC) was established in 1993, located in Panyu district of Guangzhou. ITC is the No.1 and the largest integrated supplier of audiovisual & lighting systems, integrating R&D, production, sales and service together in China for more than 30 years. ITC owns 4 office buildings, 6 R&D centers and 5 factories. There is also an industry-leading intelligent manufacturing industrial park of over 300,000 square meters under construction, which is expected to be put into operation by the end of 2023. We have 1200 R&D engineers, 2000 pre-sales and after-sales technicians, 142 sales departments, all totally more than 6000 employees.

ITC can provide integrated solution from PA system, IP intercom system, Voice evacuation system, HD video conference system, 5G digital conference, Paperless conference, Interpretation system, Central control system, Professional sound system, LED screen, Stage light & Architectural light, etc. We are the official supplier for important events, including 2008 Beijing Olympic Games, 2010 Shanghai World Expo, 2010 Guangzhou Asian Games, 2016 Hangzhou G20 Summit, 2016 Turkey expo, 2022 Beijing Winter Olympics, India subway, USA chain shops, Guyana national conference, Uzbekistan national defense conference, Five Nigeria national airport, CBE Ethiopia bankOur worldwide successful projects are more than 1.5 million cases, and its products have been exported to more than 100 countries around the world.

All of our products are developed and manufactured by ourselves. Our products are compliant with CE, RoHS, EN54, UL, CCC, NOM certificate.

ITC possesses more than 3000 intellectual properties, including appearance patents, software copyrights, utility model patents and invention patents, and has won the honorary titles of "Quality Product", "Famous Brand" and "Most Competitive Brand" for many years. ITC is the "High-tech Enterprise" in China.

Company Organization



Our Production Lines

A group of highest technology equipment are used to strengthen the reliability and output capacity: SMT machine, reflow oven & numerical control cutting machine. 95% PCB of the equipment s are made by SMT machine to ensure quality consistency and higher reliability. The numerical cutting machines enhance the equipment in elaborate & elegant level. A comprehensive process of tests are be involved: drop test, vibration test, aging, Hipot & RoHS test.

Certificates:

CCC, ISO9001, CE & RoHS, FCC, EN54, UL, CCC, NOM. Parts of our product are complied with certificates: CE, SASO, ETL, UL, FCC, EN54-16 and EN54-24. Parts of loudspeakers are certified by waterproof, dustproof, fire proof & explosion-proof.



Subway Station



Bank



School



Hospital

CONTENTS

- 01/ Company Introduction
- 02/ Contents
- 03~07/ About us
- 08/ IP/TCP Network Audio System- T-7700 Series
- 09/ Overview for IP network digital broadcasting system
- 10/ The most significant features of Digital IP Network PA system are as follows
- 11/ The system functions of digital IP network PA system
- 12/ IP/TCP Network Audio System
- 13~80/ IP Network Digital PASystem
- 81/ IP/TCP Network Audio System
- 82/ <1> Introduction of digital IP network intercom system
- 83/ <2> Features of digital IP Network Intercom System
- 84/ <3> Advantages of digital IP network bidirectional intercom voice communication system
- 85~87/ Digital IP network for two-way intercom voice communication system's function
- 88/ IP/TCP Network Audio System
- 89~97/ Digital IP Network Intercom System
- 98/ School Broadcast Applications
- 99/ Hotels broadcast applications
- 100/ Large Commercial Center Broadcast Applications
- 101/ Railway Broadcast Applications
- 102/ Park Scenic Area Broadcast/Two-way Intercom Application Solutions
- 103/ Bank Broadcast / Intercom Applications
- 104/ Prison PA/Intercom Application Solutions

Office



R&D



Factory



Factory



Showroom



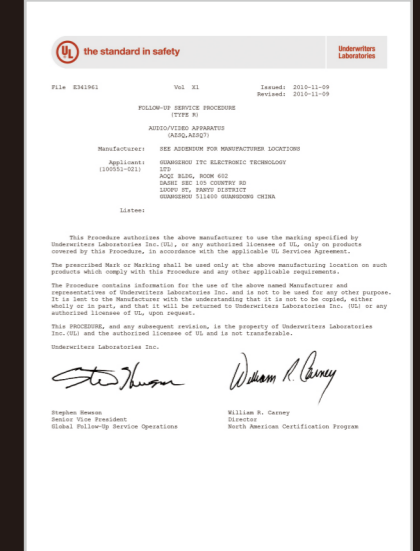
Exhibitions



Seminar



Certifications



HISTORY



Year 1993

ITC was founded in Guangzhou, regarded as pioneer of Digital Public Address System in China.

Year 1995

ITC successfully registered trademark ITC in China.

Year 1998

The first full-intelligent PA system was successfully developed and launched to the market.

Year 2000

ITC set up 8 sales subsidiaries and technical assistance centers in Guangzhou, Beijing, Shanghai, Hangzhou, Nanjing, Xi'an, Shenyang and Chengdu. ITC also established proxy services agencies in 48 provinces all over China.

Year 2001

The first digital network PA system was successfully developed and launched to market.

Year 2002

Due to speed business expansion, ITC set up numerous large production plants in Guangzhou. The whole company broadened to six large plates: four production plants + marketing and logistics center + R & D center; totally more than 800 manufacturing workers.

Year 2003

ITC developed full-digital IP PA system; became the world's first IP PA R & D manufacturer. In the same year a full range of products passed quality inspection, 3C, CE, RoHS and other domestic and foreign certification.

Year 2004

For successive years, ITC was awarded as "The Most Competitive Brand" and "Top Ten PA Brand" by domestic renowned media.

Year 2005

In order to meet the needs of global strategy, ITC had registered in 35 countries "ITC" trademark, and collaborated with 56 high-quality foreign strategic partners.

Year 2006

ITC was awarded as "Intelligent Building Quality Products," "Intelligent Building Leading Brands" as etc by China Intelligent Building Industry Association. There's no replacement in the professional field.

Year 2007

The first most advanced Fire Alarm Voice Evacuation System was successfully developed. Till the end of 2007, ITC had won totally 12 core technology and design patents.

Year 2008

ITC successfully marched into 2008 Beijing Olympic games: the Olympic Forest Park, Capital Stadium, Beijing Industry University Gymnasium, and the Olympic Media MCI sign Center and other key Olympic venues.

Year 2009

ITC successfully marched into the Shanghai World Expo venues including Oman, Ireland Museum, Museum of Turkmenistan, Pakistan, and Iran and so on. In the same year, she went into Asia's largest railway station (South Station in Guangzhou), Beijing Subway, Beijing-Tianjin inter-city Express and other famous projects.

Year 2010

ITC successfully marched into 2010 Guangzhou Asian Games Venues including Gymnasium, NBA Stadiums, Swimming Pool, Bicycle Roller Skating Center, the Athletes Village, Main Press Centre, Media Village, Technical Officials Village and other logistics service area. ITC cooperated with numerous well-known enterprises the following eminent projects: the Polish National Central Banks, the International Financial Building of Azerbaijan, the Romanian Five-star Hotel, the Dubai Seven Star Hotel, the Singapore Racecourse, the USA Florida Intercontinental Hotel, the University of Toronto, the National Museum of Istanbul, the Turkey Istanbul High School, the London Art Galleries and so on.

Year 2011

ITC successfully installed Network Audio System for Shenzhen 2011 World Universiade Olympic Games. Move into new 20,000 square meters manufacturing plant, SMT machine, digital PC controlled punching machine been imported. Cobranet network system and Linux Network Audio System have been launched. Launched new digital conference system.

Year 2012

ITC launched its Cloud-based HD Video Conference System to realize the conference meeting face to face by video without geographical limitation.

Year 2015

ITC installed IP PA & Intercom System in the Subway Center of Chanakyapuri New Delhi India.

Year 2016

ITC installed Evacuation Voice Alarm Public Address System and IP Network Intercom System to EXPO 2016 Antalya in Turkey.

Year 2017

ITC LED Screen, Stage lighting, architecture lighting factory established. ITC Turn-key solution applied to UNASUR Building, Bolivia.

Year 2018

ITC conference system used in the United Nations Convention. Large conference system applied to Ethiopia Afar National Regional State Finance & Economic Development Bureau, Africa.

Year 2019

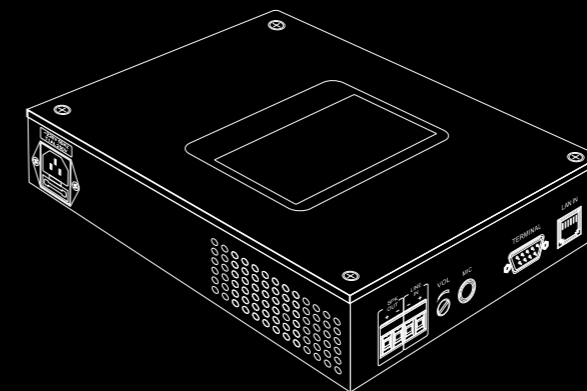
ITC own independent R&D building which area is about 4,200 square meters. KTV One-stop Solution applied to Grand Park Hotel Myanmar.

Year 2020

Foundation Laying Ceremony of ITC Industrial Park. ITC 243.3m² P10 Outdoor LED video Wall applied to Vincom Mega Mall Ocean Park City Vietnam.

T-7700 Series

IP/TCP Network Audio System



T-7700 Series IP Network Digital PA System

Overview for IP network digital broadcasting system

IP network digital broadcasting encodes the analog audio signal. The encoded signal is transmitted over the network, and then decoded by the terminal back to be analog audio signal. Multi-channel, one-way or two-way transmission are all available. LAN delay is less than 100 milliseconds, and with automatic flow adjustment, sound repair function. Standard TCP / IP protocol supports cross-network, cross routing, transmission over the Internet. It is one of the most advanced network audio transmission technology around the world. IP network digital broadcasting is suitable for multi-zone audio distribution and point to point long distance audio transmission. Based on the existing Ethernet network, the installation cost is the lowest, and the configuration and use is most simple.

IP network digital broadcast system is completely different from the traditional broadcasting system. Traditional broadcast system widely uses audio or FM mode, which will be affected by voltage, power, impedance and other factors. The traditional broadcast system is susceptible to interference, with short transmission distance, low frequency and poor system scalability. IP networks are built on digital broadcasting network platform adopting network digital audio codecs to transmit, to solve the short transmission distance problem of traditional broadcasting system, the poor sound quality, the complex maintenance and management and the poor interactive performance issues, which completely manifests its technical advantages and superiority.

When the IP network digital broadcast system transmits programs, each program need only 0.1Mbps bandwidth. In 100Mbps bandwidth LAN, if you install 500 network audio adapters, then you can play 500 totally different programs, and independently control each playback progress and volume of network audio adapter. In addition, the system also has real-time broadcasting, regular broadcasting, regional broadcasting, telephone broadcasting, free on-demand, live broadcasting, fire linkage, power control, site monitoring, two-way intercom, trigger linkage, call recording, log query and other functions, which makes IP network digital broadcast system fully covered and superior to the functionality of traditional broadcasting system.

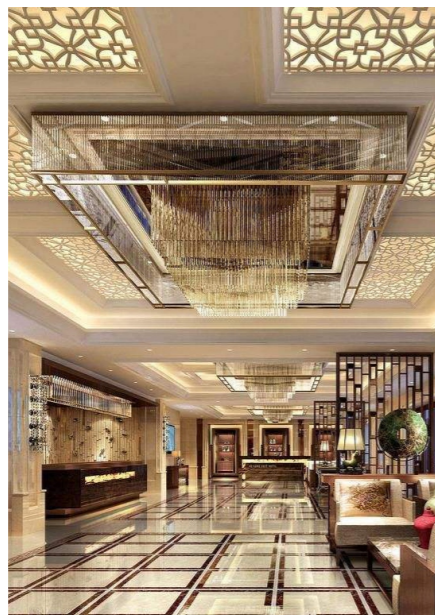
The transmission distance of IP network digital broadcast audio can be infinitely extended and can run by LAN and Internet. It may be based on an existing computer network construction, so no separate wiring is needed in installation. From Network applications, it can realize audio broadcasting, video surveillance, computer network multi-play.

Sound quality from Network audio adapter output is close to CD-level (44.1K, 16bit), which is very suitable for background music appreciation and hearing teaching.

Server of IP network digital broadcasting system uses a background system service, which is a standard server operating mode for enterprise-class. When you turn on the machine, the system can automatically run. Compared to the software running in the foreground interface, our software has higher stability and reliability. Network Audio Adapter uses industrial-grade imported chips and extracts embedded hard way. It could be free from network virus intrusion to make sure security stability of the system for continuing 24 hours a day.

Standard corporate management, leading technology, advanced SMT production technology, sophisticated inspection process for product, complete certification create the first-class product in the industry.

Our IP network digital broadcasting system not only has independent intellectual property rights and patents, but also is designated broadcast system for the Beijing Olympic Games, the Guangzhou Asian Games, thousands of campus, star hotel management companies, design institutes and so on.



The most significant features of Digital IP Network PA system are as follows

Digital transmission

Digital IP Network PA system adopts unique data file format of CD quality, converting audio source into data file before transmitting to network adapter. Full digital transmission avoids signal attenuation and noise existing in traditional PA.

Terminal individuation

Digital IP Network PA system is based on digital IP network. Every network adapter has independent IP address and completely customized programs.

Front-end devices networked

Digital IP network PA system expands the front-end audio source to the entire network. The timing programs broadcast can be remote controlled. It can also preset different operation permissions for different users.

Automatic broadcast

Digital IP network PA system can achieve automatic broadcast and set fixed broadcast time. So the server can control automatic broadcast, the broadcast content and target range can be assigned arbitrarily.

User-friendly operation

Digital IP network PA system provides user-friendly graphic menu interface. It is of easy and practical operation and improved the utilizing efficiency.

Intelligent Application

Digital IP network PA system adopts plenty of intelligent designs. It can realize the voice function of recording, speed change, loop playlist in the broadcast course. It can also achieve the functions like timing setting, automatic broadcast and remote schedule, maintenance, management, etc.

Project simplification

Digital IP network PA system can make the project simplified. Based on the existed LAN, it just needs to add network adapter of each IP PA station to make the system work. If there is no network, it just needs to lay the network cable. Once the digital network is set-up, the IP PA system can share the network with computer system, which avoids the redundant construction of the network.

No need system maintenance

Digital IP network PA system can save the maintenance work except for the network. It can also set independent network segment separated with computer system. The embedded system programming of the net adapter can protect the system from network virus. The whole system is stable and no need of maintenance.



The system functions of digital IP network PA system

Including traditional PA system function

Business talk broadcast, background, timing bell and radio broadcast, etc.

Select broadcast paging arbitrarily

It can realize any broadcast paging to any individual, partial or all adapters through work station or IP network paging microphone.

Broadcast at any zone

The system can temporarily set random groups, play specified program, or broadcast in any specified group. The server software can realize remote control of the volume of each network adapter at any time.

Timing programs broadcast

The programs can be stored in hard disk of the server or uploaded to library of the software. Based on the preset broadcast tasks, the system will play the specified programs automatically at preset time.

Play on demand freely

By using the remote control or pressing the panel buttons, the programs of the library can be played on demand arbitrarily. The LCD of network adapter has the functions like catalog display, fast forward, fast backward, repeat, speed change, segment play, loop playlist, timing programs selection play, etc.

Audio real-time broadcast

Input radio, tape recorder deck, CD player, MP3 player, microphone and other sound source to a server, real-time collect sound and compress into high-quality data stream. Send broadcast data through the network, and the network adapter receive and broadcast in real time for external program broadcast and broadcast announcement.

Intercom

Can realize full duplex real-time two-way intercom function between IP networks paging microphones, loud and clear voice, without any delay; for daily intercom communication and emergency communications.

Environment monitor

The network adapter external or its panel built-in pickups, can monitor the live and surrounding sound environment which the network adapter located in cockpit seat live network adapter, can be applied to the faulty test for education and so on.

Audio Trigger Power on/off

Network adapter is with the function of audio trigger power on/off. The audio signal (if with or without), can automatically power on or off for amplifier or active speakers, avoid amplifiers for long time continuing work 24 hours.

Three-wire delay

Network adapter built-in three-wire delay output, to solve problem limit signal transmission distance and the number of volume controls of the traditional 24V relay mode, also save a lot of cabling.

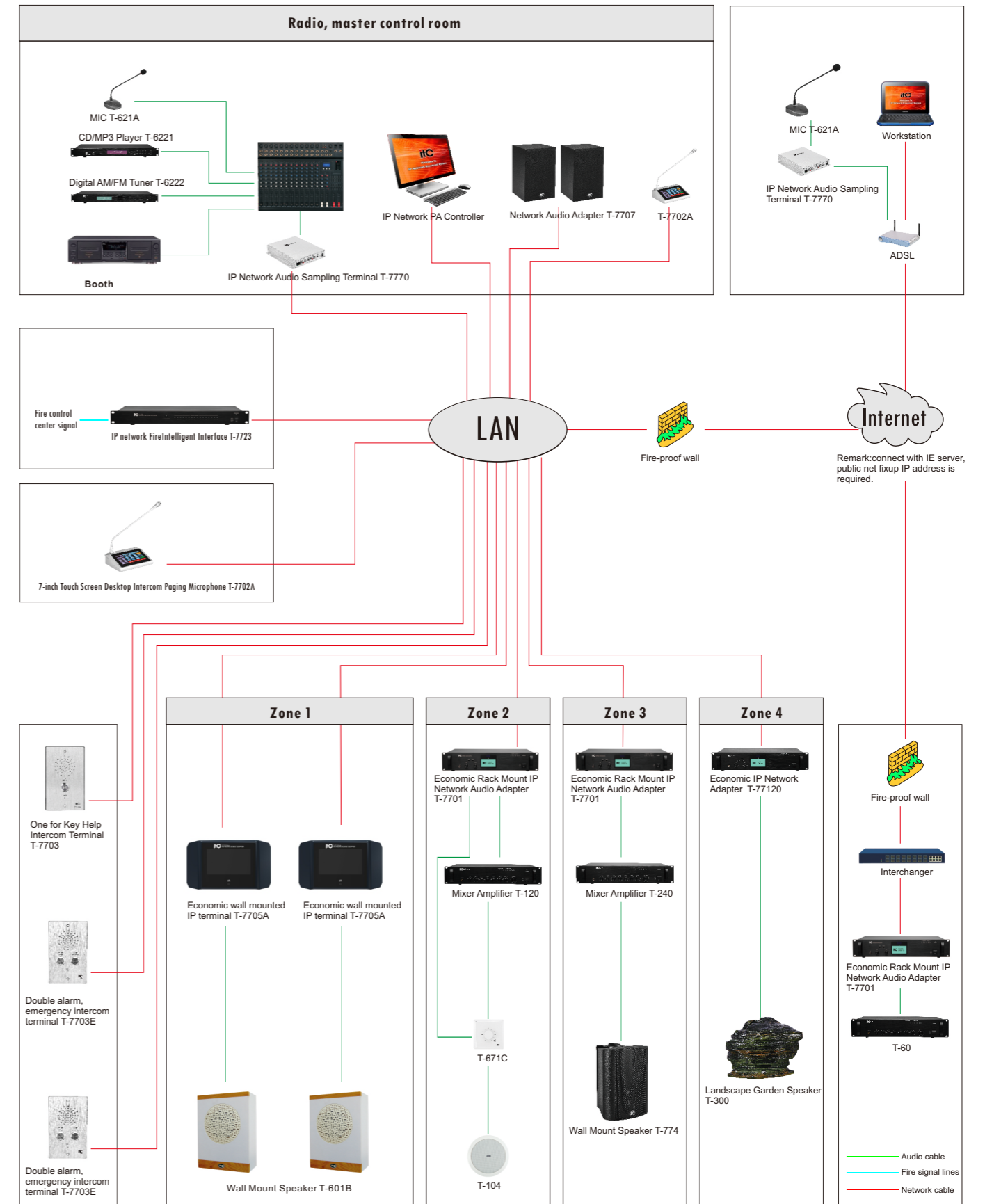
Fire alarm linkage

Provide fire alarm signal interface to realize fire linkage; Support alarm announcement for pre set floors, zones, groups flexibly. Combined with the three-wire delay function, the volume control can be real-time forced to open volume maximally.

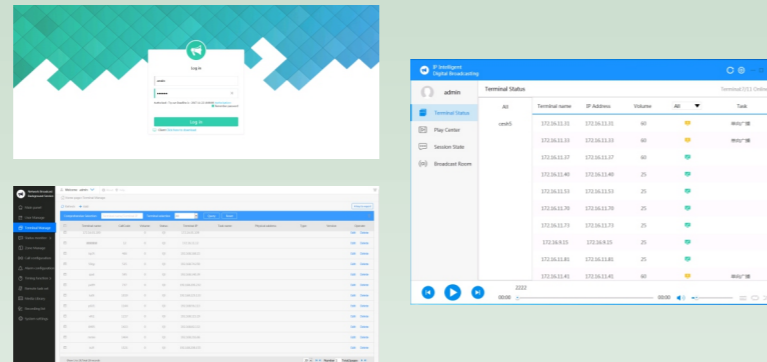
Monitor program

Any network adapter can be pre set as a monitor, monitoring other network adapters and playing status.

IP/TCP Network Audio System



Software (IP network broadcasting package)
T-7700R



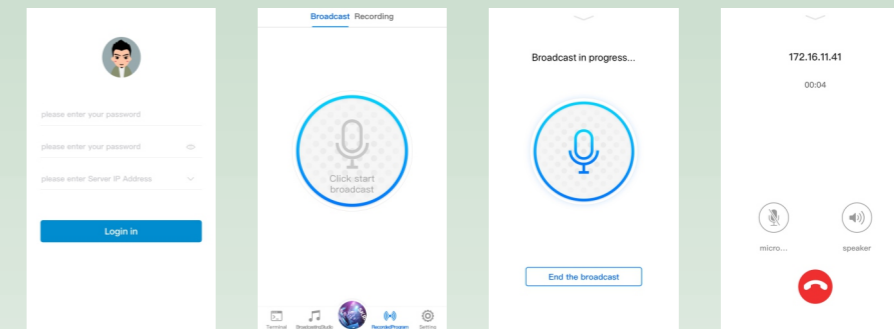
Product Application

Broadcasting system management and control software, installing in broadcasting control center or computer, which serves as an integrated management platform for data exchange, system operation and function operation.

Product Specification

- * The Software is the operating core of whole system, it centrally manages all audio terminals in the system, including paging MIC, intercom terminal, broadcasting terminal and fire interface device, and real-time show operating conditions of audio terminals like IP address, online condition, task condition and volume, etc.
- * Support each audio terminal's operation, take charge of audio streaming transmission managing, responding to broadcasting requests from each audio terminal and full-duplex exchange of audio; Support B /S architecture, it can realize terminal management, user management, program broadcasting management, audio files management, record storage and internal communication scheduling through web login.
- * Manage sources in program database, in order to provide timing broadcast and real-time media service VOD for all audio terminals. It responds to program broadcasting request from each terminal and provides data interface service for each audio workstation.
- * Support full-duplex voice data exchange, respond to contact and call request from each intercom terminal, support calling mode like one key to call, one key to intercom, one key for help, one key to alarm and so on, support automatic answer, manual answer and custom answer beep...
- * Support multiple calling strategy, including calling hold on, calling transfer, nobody answer guidance, support custom setting for time strategy and strategy transmission. It supports setting up call strategy of intercom terminal. It can customize the call time from 0 to 180S or not. It can choose whether to answer automatically or not. It also supports customizing the choice of caller ringtone and waiting ringtone.
- * Support terminal short circuit linkage trigger, users can arbitrarily set the trigger scheme and trigger terminal quantity, trigger scheme includes short circuit output, music broadcasting and patrol alarm, etc.
- * Programming timing tasks, support for programming multiple timing programs, support for selecting any terminal and setting any time. Support timed task execution test and set repetition cycle.
- * Supports multiple schemes of timed ringing to be enabled at the same time. Each scheme supports multiple tasks to be carried out at the same time, and supports all schemes to be enabled/disabled by one key.
- * Support customize bell, bell cloning, task execution and stop control, disable and enable function of timing task.
- * Support timing patrol, external chainless button short circuit switch(with 3.3V LED cue light).
- * Support terminal tamper alarm, Alarm triggered when terminal is demolished or trigger alarm for other terminal linkage.
- * Support external power management of audio terminals, support timing switch on and delay off.
- * Support whole area, partition area fire linkage, support N±N fire mode, support artificial alarm and digital alarm mixing.
- * Support centrally manage login password, multiple priority management and automatic authority.
- * Support partition management of multi-users and arbitrary degree, achieve remote program broadcasting management.
- * Support 3, 4-wire volume control strong cut function of terminal , (4-wire volume control requires external power supply).
- * Support 5-band equalizer adjustment for terminal , it supports 80Hz, 300Hz, 1KHz, 3KHz, 10KHz frequency ±16dB adjustment.
- * Support power control partition settings for 8-way power partition terminals. It is easy to set partitions through the backstage of web pages or the control client.
- * Supports setting time display configuration for terminal, can set 0-6 level brightness value, can set off-line mode such as not showing time.
- * Support setting different lighting modes for terminals. It can customize the setting of red light, red light, green light and green light out time of 0.1S-10S.
- * Support recording for broadcasting, intercom, real-time collection and terminal monitor.
- * Support remote control and on demand programs function.
- * Support terminal audio collecting and broadcasting programs function.
- * Support local audio collection function, Play to any designated terminal.
- * Support offline timing bell, When disconnected from the network, the terminal is managed to perform regular ringing tasks
- * Extended support phone broadcasting function, to achieve functions like whole area broadcasting and partition broadcasting through telephone.
- * Support text-to-voice broadcasting function, it can set speech rate, male/female voice.
- * Instead of terminal local upgrade, T-7700R can support remote firmware upgrade. It reduces the work intensity of maintenance personnel.
- * Support to change skin on background, freely switch skin theme according to preferences
- * Support multi-languages, such as Chinese, English, French, etc.
- * Support the terminal detail export function and supports the export of the configuration details of the current system terminal through a table to facilitate the system management.
- * Support batch modify time and terminal of timing tasks.
- * Support mobile phone on demand, broadcast and intercom function with Wi-Fi, also can be compatible with Android and IOS system App.
- * Provide secondary software development package, provide standard MFC shared library and HTTP protocol, can integrate with the third-party.
- * Support timing system which is highly based on GPS, to make it separably offline system timing, to enable time error of system less than 1/300000 sec./y.
- * Can record system operating condition, real-time record system operation and terminal running conditions. Can record calling, communication and broadcasting operation every time.
- * System is compatible with arbitrary network structure, such as router, switch, gateway and bridge, Modern, 2G, 3G, 4G, multicast, unicast, etc.
- * Windows server mode, support Win 7, server 2008 and more advanced version.
- * Adopted background system server operation. T-7700R is enterprise standard server operating mode, which can automatic operate when power on. More stable and more reliable than other software operating in foreground interface.

Digital IP System APP (Android)
T-7700SA



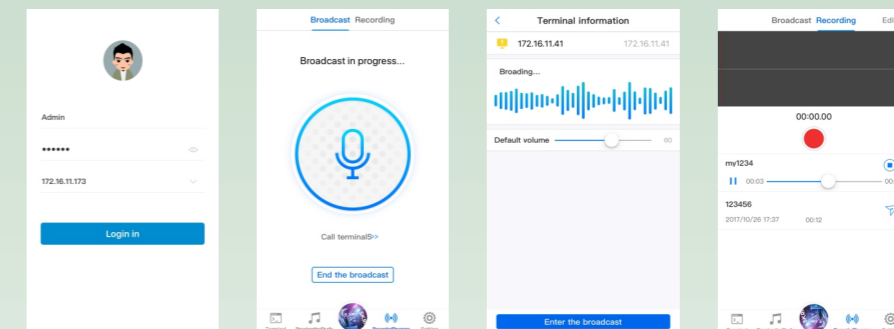
Product Introduction

- * IP Digital Broadcasting App is an intelligent broadcasting software, with functions such as music playback and terminal status.
- * Suitable for schools, prisons, office buildings, exhibition centers, park scenic spots, stations, large business centers and so on.

Features

- * Support checking online, offline status and current task of all terminals.
- * Can broadcast the music files (mp3 format) in the server to specified terminal or several terminals.
- * Support to adjust the volume of terminals freely
- * Support searching terminal and viewing terminal list.
- * The software can run on Android phones of version 4.2 or above, it can be downloaded from the APP store.

Digital IP System App (IOS Version)
T-7700SI



Product Introduction

- * IP digital broadcasting App is an intelligent broadcast software which combines hardware and software technology and transfer the network signal to each terminals. Broadcasting system is with music broadcasting, one-way call, designated terminal broadcast, broadcast studio sound source acquisition and playback and other functions which provide intelligent solutions for audio transmission.
- * It is suitable for various broadcast applications including schools, prisons, office buildings, exhibition centers, park scenic spots, stations, large commercial city and other places.

Features

- * Support to view all terminal status such as online, offline, current tasks and other details
- * Support initiate a broadcast or intercom to a terminal
- * Support adjustment to the terminal volume freely such as broadcast volume and intercom volume.
- * The terminal can quickly find the target terminal based on the filter search and the fuzzy search.
- * Can broadcast the music files (mp3 format) in the server to specified terminal or several terminals.
- * The recording studio can collect the sound source and play it to the designated terminal.
- * The software can run on phones of IOS 8.0 version or above, it can be downloaded from the APP store.

IP PA System Android APP Software T-7700PA



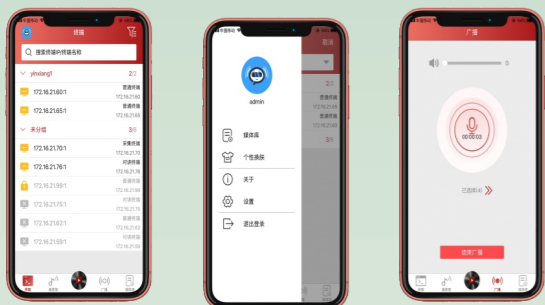
Description

* IP Digital Broadcasting App is an intelligent broadcasting software, with functions such as music playback and terminal status in the playback system.
* Application: schools, prisons, office buildings, convention centers, parks, scenic spots, railway stations, large commercial cities, etc.

Features

- * Support to check the details of all terminals online, offline, current tasks, etc., support searching terminals, and viewing the terminal list.
- * Support one-to-one broadcast to the terminal, which can adjust the broadcast volume in real time; supports the broadcast room to initiate a broadcast task, and can speak to the designated terminal or group.
- * Support one-to-one intercom to the terminal, and adjust the intercom volume in real time.
- * Support broadcast studio to establish music tasks, which can realize broadcasting server music (mp3 format file) to designated terminals or groups.
- * Support configuration task priority, volume, playback mode.
- * With the task manager function, it can manage the current playing task, can operate the previous / next song / pause or resume / task volume / end task / switch playback mode; support dragging function of playback progress bar.
- * The software supports Android phones running version 8.0 or above, and can be downloaded from the APP store.
- * Support the account and password provided by the login platform. The functions include terminal status management, remote task management, session status management, broadcasting room management (speech broadcasting/text broadcasting), media library resource management and account information management modules.
- * Support the initiation of text broadcasting tasks and the use of text recognition functions.
- * Support real-time viewing of media file resources in the media library.
- * Support the management of other functions of the currently logged-in user, including activation of the text recognition function, changing the interface style, and changing the software language.
- * Support the personal information management of the currently logged-in user, including the modification of the login account and password, and the replacement of the local user avatar.

IP PA System IOS APP Software T-7700PI



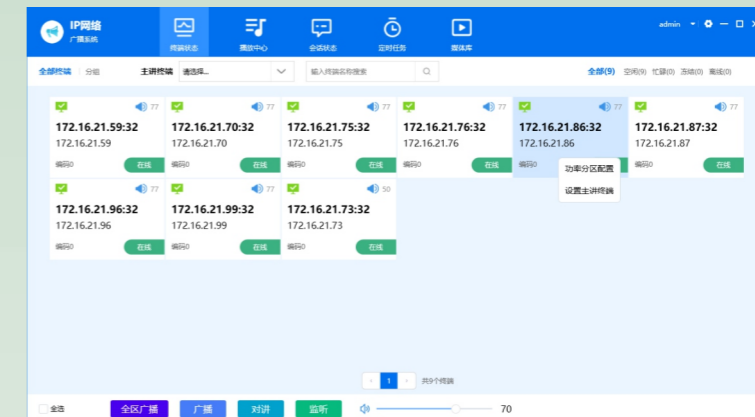
Description

* IP Digital Broadcasting App is an intelligent broadcasting software, with functions such as music playback and terminal status in the playback system.
* Application: schools, prisons, office buildings, convention centers, parks, scenic spots, railway stations, large commercial cities, etc.

Features

- * Support to check the details of all terminals online, offline, current tasks, etc., support searching terminals, and viewing the terminal list.
- * Support one-to-one broadcast to the terminal, which can adjust the broadcast volume in real time; support the broadcast room to initiate a broadcast task, and can speak to the designated terminal or group.
- * Support one-to-one intercom to the terminal, and adjust the intercom volume in real time.
- * Support broadcast studio to establish music tasks, which can realize broadcasting server music (mp3 format file) to designated terminals or groups.
- * Support configuration task priority, volume, playback mode.
- * With the task manager function, it can manage the current playing task, can operate the previous / next song / pause or resume / task volume / end task / switch playback mode; support dragging function of playback progress bar.
- * The software support Iphone running version IOS 8.0 or above, and can be downloaded from the APP store.

IP PA System Sub-control Software V2.03 T-7700RT



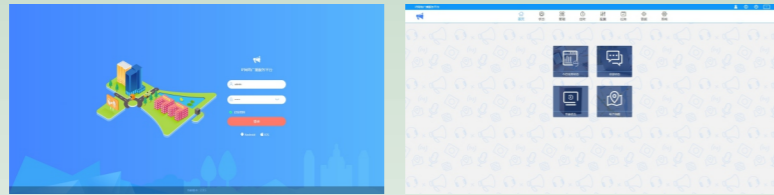
Description

The sub-control software of workstation log in the server by IP network (local area network, wide area network) remotely, to realize remote audio play, real-time acquisition and broadcast, session management, and broadcast room speech.

Features

- * The digital client sub-control software runs on a desktop computer or laptop computer of Windows operating system (compatible (win7-win10, server2008 or higher version windows), and the user can control the broadcasting system by logging in and verifying the authority of the system server.
- * The client software uses the network (LAN, WAN) to remotely log in to the server, and Support multiple sets of client software to log in to the server at the same time, each set of client software works independently.
- * It can realize terminal status viewing, audio playback, monitoring, broadcasting and intercom, session status monitoring and other functions.
- * Support real-time viewing of terminal working status, volume, and tasks, and terminal volume can be set on the terminal status interface. The terminal status supports two modes: block view and list view.
- * Support the creation of text broadcast tasks, which can convert text into speech, support adjusting speech rate in the background, setting the playback voice, and the play times of loops.
- * Support the creation of terminal collection tasks, and can set ordinary and intermediate collection sound quality types.
- * Support the creation of sound card collection tasks, real-time acquisition and broadcast through the sound card of the computer where the sub-control client is located, and support recording and storage of the collected and broadcast content.
- * Support the creation of music playback tasks, you can play local files, you can choose multiple songs for sequential playback or loop playback or random playback.
- * Support initiation monitoring function, select the monitoring terminal in the session state, you can monitor the content played by a task.
- * Support remote real-time paging broadcast to a certain terminal / division or whole area, and support selection of network paging microphone for real-time intercom.
- * Support the sub-control terminal to view the terminal online and offline records, and can set the terminal pop-up window popup prompt.
- * Support temporary timing task configuration and management, provide a variety of audio source options (music player, sound card acquisition, terminal acquisition).
- * Support media file classification and user management, public/private folders can be configured, private files can be used alone.
- * Support one-button trigger alarm task, preset alarm task in the background, and one-button trigger in the client in emergency.
- * Support manual alarm pop-up reminder.

Digital IP Network Broadcasting Client Management Software V1.0 T-7700RL



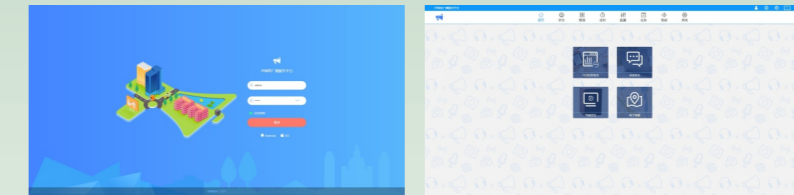
Description

Installed in broadcasting control center or computer, the broadcasting system management and control software serves as an integrated management platform for data exchange, system operation and function operation.

Features

- * The software is the operating core of the whole system, centrally manages all audio terminals in the system, including paging mic, intercom terminal, broadcasting terminal and fire interface device, as well as display operating conditions of audio terminals like IP address, online condition, task condition and volume and so on in real time.
- * Support each audio terminal's operation, audio streaming transmission management, broadcasting from each audio terminal and full-duplex exchange of audio. It adopts B/S architecture, support terminal management, user management, program broadcasting management, audio files management, record storage and internal communication scheduling through web login.
- * Support program database sources management, timing broadcast and real-time media service VOD for all audio terminals, program broadcasting for each terminal and data interface service for each audio workstation.
- * Support full-duplex voice data exchange, paging and call from each intercom terminal, various calling modes (like one button to call, one button to intercom, one button to ask for help, one button to alarm and so on), automatic answer, manual answer and custom answer tone.
- * Support multiple calling strategies, including call waiting, call forwarding, no answer reminder and custom setting for time strategy and forwarding strategy. It Support setting up call strategy of intercom terminal. It can customize the call time from 0 to 180S or no limit. It can choose whether to answer automatically or not. It also Support customizing the choice of calling ring tones and waiting ring tone.
- * Support terminal short circuit linkage trigger. Users can arbitrarily set the trigger scheme and trigger terminal quantity. Trigger scheme includes short circuit output, music playback and patrol alarm, etc.
- * Support to program timing tasks, multiple timing programs, support selecting any terminal and setting any time. Support timed task execution test, setting repetition period and a variety of audio source selection for timing tasks (music playback, sound card acquisition, terminal acquisition).
- * Support multiple schemes of timed ringing to be enabled at the same time. Each scheme Support multiple tasks to be carried out at the same time. Support all schemes to be enabled/disabled by one button.
- * Support bell scheme cloning, task execution and stop control, disable and enable function of timing task.
- * Support timing patrol, support execution time and repetition period of the custom patrol task, 0-30s customized interval of the indicator flashing and external lock-free button short-circuit switch (with 3.3V LED indicator light).
- * Support today's task list view, which is easy to manage all scheduled task information and execution status performed today.
- * Support terminal tamper alarm. Trigger terminal alarm when terminal is demolished or trigger alarm for other terminal linkage. Support alarm task to automatically cancel the alarm function.
- * Support external power management of audio terminals, timing switch on and delay off. Support light control and the light mode configuration.
- * Support all zones, part of the zones fire linkage, N+N fire mode, manual alarm and digital alarm mixing, alarm configuration to trigger terminal collection tasks.
- * Support terminals' login password central management, multiple priority management, easy automatic authorization, task priority, terminal priority, user priority customization.
- * Support sub-control management of multi-users and arbitrary degree to achieve remote program broadcasting management.
- * Support multi-user, multi-level, specified permissions, specified functions, and specified terminals to classify and manage the background.
- * The terminals support three-wire and four-wire volume control function, the four-wire volume control needs external power supply.
- * The network PA system supports IPV6 and IPV4 network protocols, and can realize terminal broadcasting, scheduled task playback, remote calling and intercom functions based on IPV6 network.
- * Support to set the zones and control the power to the 8-channel terminal through web background or sub-control client side.
- * Support to set the time display in the terminals, can set 0 - 6 level brightness value, it can realize no time display mode when the terminal is offline.
- * Support to set different light mode to the terminals, the customized light mode including red on, red off, green on, green off, the time can be from 0.1s to 10s.
- * Support to configure freezing time of the terminals to forbidden any operation to the terminals in the freezing period, this function is applicable for exam or rest period.
- * Support broadcast, intercom, real-time acquisition, terminal monitoring and recording.
- * Support remote on-demand operation by remote controller.
- * Support terminal audio acquisition and broadcast function.
- * Support local audio collection function, the local file can be played to any designated terminal.
- * Support scheduled offline ringing function, which enables the terminal to perform scheduled ringing tasks when the network is disconnected; Support offline downloading of ringing tasks.
- * Support the telephone broadcasting function, realize the function that the telephone initiates all zone broadcasting, zone broadcasting, or terminal broadcasting.
- * Support text broadcast function, which can convert text into voice message, support speech speed adjustment in the background, and setting male or female voice function.
- * Support remote firmware upgrade to the terminal, no need to upgrade locally, which can reduce the maintenance work.
- * Support background skin change function, you can switch skin theme freely according to your preference.
- * Support multi-language function, support simplified Chinese, Traditional Chinese, English, Korean, etc.
- * Support terminal details exporting function, support to export the configuration details of the current system terminal by table.
- * Support batch modification of the time of scheduled tasks and execution terminal.
- * Support for mobile WIFI on-demand broadcast, 4G on-demand broadcast, broadcast, intercom functions, compatible with Android and IOS system APP for operation.
- * Support SDK kits, standard MFC dynamic link libraries and HTTP protocols to achieve integration with third-party platforms.
- * Support docking with a high-precision GPS-based timing system, which can provide broadcast system timing independently with the Internet, making the system time error less than 1/300000 seconds per year.
- * Support electronic map function, can check terminal status on map / navigation map in real time.
- * Support online map function, you can directly use google map to view terminal status on the map in real time.
- * Support the terminal to self define the area division, realizing the management of the terminal's real-time status according to different zones.
- * The log records the system operation status, and records the system operation and terminal working status in real time. Each paging, call and broadcast operation is recorded.
- * Support media file management according to classification and users, can configure public/private folders, and private files are used alone.
- * The system is compatible with any network structure such as router, switch, bridge gateway, Modem, Internet, 2G, 3G, 4G, etc.
- * Windows service mode, support win7, server2008 and higher systems.
- * It uses the background system service to run, which is an enterprise-level standard server working mode. The system can run automatically when the system is turned on. It has higher stability and reliability than the software running in the foreground of the interface.
- * Support the function of audio and text broadcasting, the terminal can play sound and publish text information at the same time, and support the task of LED display.
- * Support real-time monitoring of the terminal's online/offline status and occupancy status, and manage terminal volume and current tasks in real time; support terminal partitions customization and terminal status management by area, which is convenient and intuitive.
- * Support regular broadcast mode, automatically generates ring tasks in batches, no need to edit one by one, simple and easy.
- * Support simultaneous access of multiple remote controllers (up to 12 remote controllers), the remote controllers work independently without interfering with each other, and the function keys of the remote controllers are designated.
- * Support SIP broadcast for partition broadcast or whole area broadcast.
- * Support the management of temporary tasks, timed tasks, and scene calls in the central control terminal.
- * Support ONVIF monitoring equipment association to realize visual linkage function.

Software (Digital IP Network Broadcasting Client Management Software V1.0) T-7700RP



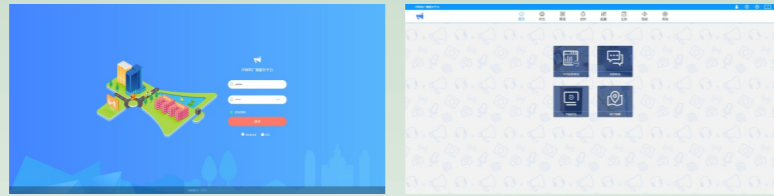
Description

Installed in broadcasting control center or computer, the broadcasting system management and control software serves as an integrated management platform for data exchange, system operation and function operation.

Features

- *The software is the operating core of the whole system, centrally manages all audio terminals in the system, including paging mic, intercom terminal, broadcasting terminal and fire interface device, as well as display operating conditions of audio terminals like IP address, online condition, task condition and volume and so on in real time.
- * Support each audio terminal's operation, audio streaming transmission management, broadcasting from each audio terminal and full-duplex exchange of audio. It adopts B/S architecture, support terminal management, user management, program broadcasting management, audio files management, record storage and internal communication scheduling through web login.
- * Support program database sources management, timing broadcast and real-time media service VOD for all audio terminals, program broadcasting for each terminal and data interface service for each audio workstation.
- * Support full-duplex voice data exchange, paging and call from each intercom terminal, various calling modes (like one button to call, one button to intercom, one button to ask for help, one button to alarm and so on), automatic answer, manual answer and custom answer tone.
- * Support multiple calling strategies, including call waiting, call forwarding, no answer reminder and custom setting for time strategy and forwarding strategy. It Support setting up call strategy of intercom terminal. It can customize the call time from 0 to 180S or no limit. It can choose whether to answer automatically or not. It also Support customizing the choice of calling ring tones and waiting ring tone.
- *Support terminal short circuit linkage trigger. Users can arbitrarily set the trigger scheme and trigger terminal quantity. Trigger scheme includes short circuit output, music playback and patrol alarm, etc.
- *Support to program timing tasks, multiple timing programs, support selecting any terminal and setting any time. Support timed task execution test, setting repetition period and a variety of audio source selection for timing tasks (music playback, sound card acquisition, terminal acquisition).
- *Support multiple schemes of timed ringing to be enabled at the same time. Each scheme Support multiple tasks to be carried out at the same time. Support all schemes to be enabled/disabled by one button.
- *Support bell scheme cloning, task execution and stop control, disable and enable function of timing task.
- *Support timing patrol, support execution time and repetition period of the custom patrol task, 0-30s customized interval of the indicator flashing and external lock-free button short-circuit switch (with 3.3V LED indicator light).
- *Support today's task list view, which is easy to manage all scheduled task information and execution status performed today.
- *Support terminal tamper alarm. Trigger terminal alarm when terminal is demolished or trigger alarm for other terminal linkage. Support alarm task to automatically cancel the alarm function.
- *Support external power management of audio terminals, timing switch on and delay off. Support light control and the light mode configuration.
- *Support all zones, part of the zones fire linkage, N+N fire mode, manual alarm and digital alarm mixing, alarm configuration to trigger terminal collection tasks.
- *Support terminals' login password central management, multiple priority management, easy automatic authorization, task priority, terminal priority, user priority customization.
- *Support sub-control management of multi-users and arbitrary degree to achieve remote program broadcasting management.
- *Support multi-user, multi-level, specified permissions, specified functions, and specified terminals to classify and manage the background.
- *The terminals support three-wire and four-wire volume control function, the four-wire volume control needs external power supply.
- *Log in the system background through web, it can adjust the 5 EQ of the terminals: 80Hz, 300Hz, 1KHz, 3KHz, 10KHz frequency point $\pm 16\text{dB}$, which can realize the terminal can modify the sound effect according to different environment.
- *Support to set the zones and control the power to the 8-channel terminal through web background or sub-control client side.
- *Support to set the time display in the terminals, can set 0 - 6 level brightness value, it can realize no time display mode when the terminal is offline.
- *Support to set different light mode to the terminals, the customized light mode including red on, red off, green on, green off, the time can be from 0.1s to 10s.
- *Support to configure freezing time of the terminals to forbidden any operation to the terminals in the freezing period, this function is applicable for exam or rest period.
- *Support broadcast, intercom, real-time acquisition, terminal monitoring and recording.
- *Support remote on-demand operation by remote controller.
- *Support terminal audio acquisition and broadcast function.
- *Support local audio collection function, the local file can be played to any designated terminal.
- *Support scheduled offline ringing function, which enables the terminal to perform scheduled ringing tasks when the network is disconnected; Support offline downloading of ringing tasks; support to clear the offline tasks on the terminals.
- *Support the telephone broadcasting function, realize the function that the telephone initiates all zone broadcasting or part of the zones or single zone broadcasting.
- *Support text broadcast function, which can convert text into voice message, support speech speed adjustment in the background, and setting male or female voice function.
- *Support remote firmware upgrade to the terminal, no need to upgrade locally, which can reduce the maintenance work.
- *Support background skin change function, you can switch skin theme freely according to your preference.
- *Support multi-language function, support simplified Chinese, Traditional Chinese, English, Korean, etc.
- *Support terminal details exporting function, support to export the configuration details of the current system terminal by table.
- *Support batch modification of the time of scheduled tasks and execution terminal.
- *Support for mobile WIFI on-demand broadcast, broadcast, intercom functions, compatible with Android and IOS system APP for operation.
- *Support SDK kits, standard MFC dynamic link libraries and HTTP protocols to achieve integration with third-party platforms.
- *Support docking with a high-precision GPS-based timing system, which can provide broadcast system timing independently with the Internet, making the system time error less than 1/300000 seconds per year.
- *Support electronic map function, can check terminal status on map / navigation map in real time.
- *Support online map function, you can directly use google map to view terminal status on the map in real time.
- *Support the terminal to self define the area division, realizing the management of the terminal's real-time status according to different zones.
- *The log records the system operation status, and records the system operation and terminal working status in real time. Each paging, call and broadcast operation is recorded.
- *The system is compatible with any network structure such as router, switch, bridge gateway, Modem, Internet, 2G, 3G, 4G, etc.
- *Windows service mode, support win7, server2008 and higher systems.
- *It uses the background system service to run, which is an enterprise-level standard server working mode. The system can run automatically when the system is turned on. It has higher stability and reliability than the software running in the foreground of the interface.

Digital IP Network Broadcast Client Management Software V1.0 T-7700RU1



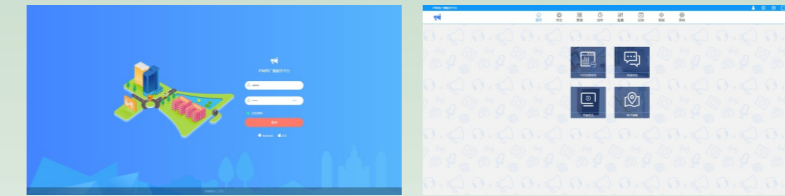
Description

The broadcasting system management and control software, installed in the network broadcasting control center or computer, is a comprehensive management platform for broadcasting system data exchange, system operation and function operation.

Features

- * The software is the core of the entire system. It manages all audio terminals in the system, including paging microphones, intercom terminals, broadcast terminals, and fire-fighting interface devices. It displays the IP address, online status, task status, operating status, and volume of audio terminals in real time.
- * Support the operation of each audio terminal, responsible for audio stream transmission management, respond to each audio terminal's playback request and full-duplex audio exchange, support B / S architecture, and log in through the webpage for terminal management, user management, program playback management, audio File management, recording storage, internal communication scheduling and processing.
- * Manage program library resources, provide regular audio and real-time on-demand media services for all audio terminals, respond to program playback requests from each terminal, and provide data interface services for each audio workstation.
- * Provide full-duplex voice data exchange, respond to the call and call request of each intercom terminal, support one-click call, one-click intercom, one-click help, one-click alarm and other call modes, support automatic answer, manual answer, support Custom answer tone.
- * Support a variety of call strategies, including call waiting, call transfer, unanswered reminder, support time strategy and transfer strategy custom settings. Support setting intercom terminal call strategy, can customize the call time 0-180S or unlimited, can choose whether to answer automatically, support custom selection of incoming call ringtone and waiting ringtone
- * Support terminal short-circuit input linkage triggering. The linkage trigger scheme and the number of trigger terminals can be arbitrarily set. The trigger scheme includes short-circuit output, music playback, patrol alarm, etc.
- * Program timing tasks, support programming multiple sets of timing schemes, support the selection of any terminal and set any time; support timing tasks to perform tests and set repeat cycles. Support a variety of audio sources for scheduled tasks (music playback, sound card collection, terminal collection).
- * Support multiple sets of scheduled ringing schemes to be enabled at the same time, each set of scheduled ringing schemes to support multiple sets of tasks to be performed simultaneously, and support one-button activation / deactivation of all schemes.
- * Support the function of timing ringing, cloning of the ringing scheme, task execution and stop control, timed task disabling and enabling functions.
- * Support regular patrol function, Support custom patrol task execution time and repeat cycle, and can customize the flashing interval of indicator light 0-30s. Support external lock-free key short-circuit switch (with 3.3V LED indicator light).
- * Support today's task list view, easily manage all scheduled task information and execution status executed today.
- * Support terminal anti-removal alarm, terminal disassembly trigger alarm or other terminal linkage trigger alarm; support alarm task to automatically cancel the alarm function.
- * Support external control power management of audio terminal, support timing on and delay off; Support lighting control function, and can configure lighting mode.
- * Support the whole area, district fire protection linkage, support fire N ± N mode, manual alarm and digital alarm. Support configuration alarm to trigger terminal collection tasks.
- * Support unified management terminal login password, support multi-level priority management, and support easy automatic authorization. Support task priority, terminal priority, user priority customization
- * Support multi-user, any level of sub-control management, and realize remote program playback management.
- * Support multi-user, multi-level, designated authority, designated function, designated terminal for classified management of the background.
- * Support terminal 3 and 4 sound control strong cutting function (4-wire sound control requires external power supply).
- * Log in to the background of the broadcasting system through the webpage. The terminal can perform 5-band equalizer adjustment: the terminal can be adjusted to ± 16dB at 80Hz, 300Hz, 1KHz, 3KHz, and 10KHz frequency points, which makes the modified sound effect in different live environments .
- * Support power control partition settings for 8-way power partition terminals, and can easily set partitions through the web page background or sub-control client.
- * Support setting the time display configuration for the terminal, which can set the brightness value of 1-6 levels, and can set the mode such as not displaying the time after offline.
- * Support to set different light modes for the terminal, you can customize the red light on, red light off, green/blue light on, and green/blue light off time 0.1S-10S.
- * Support the configuration of the terminal freeze time, prohibit the terminal from performing tasks during the terminal is frozen, suitable for scenarios such as exams or breaks.
- * Support broadcast, intercom, real-time acquisition, terminal monitoring and recording.
- * Support remote remote on-demand function to realize remote remote on-demand on playground.
- * Support the terminal audio acquisition and broadcast function, to achieve audio test audio file acquisition and broadcast.
- * Support local audio collection function, play to any designated terminal.
- * Support offline scheduled ringing function, realize the terminal to host the scheduled ringing task when the network is disconnected; support offline download of the scheduled ringing task.
- * Expand the support of telephone broadcasting functions, and realize the function of telephone initiating whole-area broadcasting or district broadcasting.
- * Support text broadcast function, which can convert text to speech, support adjusting speech rate in the background, and setting the play times of loops.
- * Support remote firmware upgrade of the terminal without the need to upgrade locally to the terminal, reducing the workload of maintenance staff.
- * Support background skin change function, you can switch skin theme freely according to your preference.
- * Support terminal details export function, support to export the configuration details of the current system terminal by table, bringing convenience to system management.
- * Support batch modification of time of scheduled tasks and execution terminal.
- * Extended support for mobile WIFI on-demand, broadcast, intercom functions, compatible with Android and IOS system mobile APP for operation.
- * Support to provide secondary software development kits, provide standard MFC dynamic link library and HTTP protocol to achieve integration with third-party platforms.
- * It Support docking with a high-precision GPS-based timing system, which can independently broadcast the time of the broadcast system without the Internet, making the system time error less than 1/300000 seconds per year.
- * Support electronic map function, real-time check terminal status on map / navigation map.
- * Support online map function, you can directly use Baidu map to view terminal status on the map in real time.
- * Support terminal self-defining area division, realizing the real-time status of the terminal area management.
- * The log records the system operation status, records the system operation and terminal working status in real time, and records every call, call, and broadcast operation.
- * The system is compatible with any network structure such as router, switch, bridge gateway, Modem, Internet, 2G, 3G, 4G, etc.
- * Windows service mode, support win7, server2008 and higher systems.
- * It uses the background system service to run. It is an enterprise-level standard server working mode. The system can run automatically when it is turned on. It has higher stability and reliability than the software running in the foreground of the interface.
- * Support multi-level server access to achieve terminal and task hierarchical management. It can centrally manage the second-level and third-level servers, realize the hierarchical management of terminals and tasks, and separately manage and uniformly manage the lower-level servers and equipment.

Digital IP Network Broadcast Client Management Software V1.0 T-7700RU2



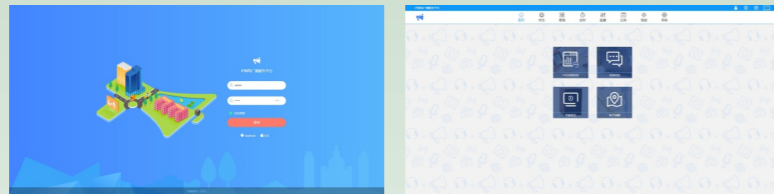
Description

The broadcasting system management and control software, installed in the network broadcasting control center or computer, is a comprehensive management platform for broadcasting system data exchange, system operation and function operation.

Features

- * The software is the core of the entire system. It manages all audio terminals in the system, including paging microphones, intercom terminals, broadcast terminals, and fire-fighting interface devices. It displays the IP address, online status, task status, operating status, and volume of audio terminals in real time.
- * Support the operation of each audio terminal, responsible for audio stream transmission management, respond to each audio terminal's playback request and full-duplex audio exchange, support B / S architecture, and log in through the webpage for terminal management, user management, program playback management, audio File management, recording storage, internal communication scheduling and processing.
- * Manage program library resources, provide regular audio and real-time on-demand media services for all audio terminals, respond to program playback requests from each terminal, and provide data interface services for each audio workstation.
- * Provide full-duplex voice data exchange, respond to the call and call request of each intercom terminal, support one-click call, one-click intercom, one-click help, one-click alarm and other call modes, support automatic answer, manual answer, support Custom answer tone.
- * Support a variety of call strategies, including call waiting, call transfer, unanswered reminder, support time strategy and transfer strategy custom settings. Support setting intercom terminal call strategy, can customize the call time 0-180S or unlimited, can choose whether to answer automatically, support custom selection of incoming call ringtone and waiting ringtone
- * Support terminal short-circuit input linkage triggering. The linkage trigger scheme and the number of trigger terminals can be arbitrarily set. The trigger scheme includes short-circuit output, music playback, patrol alarm, etc.
- * Program timing tasks, support programming multiple sets of timing schemes, support the selection of any terminal and set any time; support timing tasks to perform tests and set repeat cycles. Support a variety of audio sources for scheduled tasks (music playback, sound card collection, terminal collection).
- * Support multiple sets of scheduled ringing schemes to be enabled at the same time, each set of scheduled ringing schemes to support multiple sets of tasks to be performed simultaneously, and support one-button activation / deactivation of all schemes.
- * Support the function of timing ringing, cloning of the ringing scheme, task execution and stop control, timed task disabling and enabling functions.
- * Support regular patrol function, Support custom patrol task execution time and repeat cycle, and can customize the flashing interval of indicator light 0-30s. Support external lock-free key short-circuit switch (with 3.3V LED indicator light).
- * Support today's task list view, easily manage all scheduled task information and execution status executed today.
- * Support terminal anti-removal alarm, terminal disassembly trigger alarm or other terminal linkage trigger alarm; support alarm task to automatically cancel the alarm function.
- * Support external control power management of audio terminal, support timing on and delay off; Support lighting control function, and can configure lighting mode.
- * Support the whole area, district fire protection linkage, support fire N ± N mode, manual alarm and digital alarm. Support configuration alarm to trigger terminal collection tasks.
- * Support unified management terminal login password, support multi-level priority management, and support easy automatic authorization. Support task priority, terminal priority, user priority customization
- * Support multi-user, any level of sub-control management, and realize remote program playback management.
- * Support multi-user, multi-level, designated authority, designated function, designated terminal for classified management of the background.
- * Support terminal 3 and 4 sound control strong cutting function (4-wire sound control requires external power supply).
- * Log in to the background of the broadcasting system through the webpage. The terminal can perform 5-band equalizer adjustment: the terminal can be adjusted to ± 16dB at 80Hz, 300Hz, 1KHz, 3KHz, and 10KHz frequency points, which makes the modified sound effect in different live environments .
- * Support power control partition settings for 8-way power partition terminals, and can easily set partitions through the web page background or sub-control client.
- * Support setting the time display configuration for the terminal, which can set the brightness value of 1-6 levels, and can set the mode such as not displaying the time after offline.
- * Support to set different light modes for the terminal, you can customize the red light on, red light off, green/blue light on, and green/blue light off time 0.1S-10S.
- * Support the configuration of the terminal freeze time, prohibit the terminal from performing tasks during the terminal is frozen, suitable for scenarios such as exams or breaks.
- * Support broadcast, intercom, real-time acquisition, terminal monitoring and recording.
- * Support remote remote on-demand function to realize remote remote on-demand on playground.
- * Support the terminal audio acquisition and broadcast function, to achieve audio test audio file acquisition and broadcast.
- * Support local audio collection function, play to any designated terminal.
- * Support offline scheduled ringing function, realize the terminal to host the scheduled ringing task when the network is disconnected; support offline download of the scheduled ringing task.
- * Expand the support of telephone broadcasting functions, and realize the function of telephone initiating whole-area broadcasting or district broadcasting.
- * Support text broadcast function, which can convert text to speech, support adjusting speech rate in the background, and setting the play times of loops.
- * Support remote firmware upgrade of the terminal without the need to upgrade locally to the terminal, reducing the workload of maintenance staff.
- * Support background skin change function, you can switch skin theme freely according to your preference.
- * Support terminal details export function, support to export the configuration details of the current system terminal by table, bringing convenience to system management.
- * Support batch modification of time of scheduled tasks and execution terminal.
- * Extended support for mobile WIFI on-demand, broadcast, intercom functions, compatible with Android and IOS system mobile APP for operation.
- * Support to provide secondary software development kits, provide standard MFC dynamic link library and HTTP protocol to achieve integration with third-party platforms.
- * It Support docking with a high-precision GPS-based timing system, which can independently broadcast the time of the broadcast system without the Internet, making the system time error less than 1/300000 seconds per year.
- * Support electronic map function, real-time check terminal status on map / navigation map.
- * Support online map function, you can directly use Baidu map to view terminal status on the map in real time.
- * Support terminal self-defining area division, realizing the real-time status of the terminal area management.
- * The log records the system operation status, records the system operation and terminal working status in real time, and records every call, call, and broadcast operation.
- * The system is compatible with any network structure such as router, switch, bridge gateway, Modem, Internet, 2G, 3G, 4G, etc.
- * Windows service mode, support win7, server2008 and higher systems.
- * It uses the background system service to run. It is an enterprise-level standard server working mode. The system can run automatically when it is turned on. It has higher stability and reliability than the software running in the foreground of the interface.
- * Support multi-level server access to achieve terminal and task hierarchical management. It can centrally manage lower-level servers, realize hierarchical management of terminals and tasks, and can separately manage and uniformly manage lower-level servers and equipment, and support the server as a relay server to access the upper-level servers.

Digital IP Network Broadcast Client Management Software V1.0 T-7700RU3



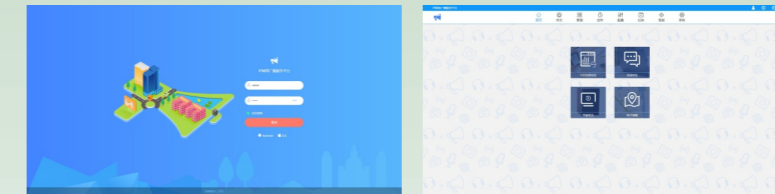
Description

The broadcasting system management and control software, installed in the network broadcasting control center or computer, is a comprehensive management platform for broadcasting system data exchange, system operation and function operation.

Features

- * The software is the core of the entire system. It manages all audio terminals in the system, including paging microphones, intercom terminals, broadcast terminals, and fire-fighting interface devices. It displays the IP address, online status, task status, operating status, and volume of audio terminals in real time..
- * Support the operation of each audio terminal, responsible for audio stream transmission management, respond to each audio terminal's playback request and full-duplex audio exchange, support B / S architecture, and log in through the webpage for terminal management, user management, program playback management, audio File management, recording storage, internal communication scheduling and processing.
- * Manage program library resources, provide regular audio and real-time on-demand media services for all audio terminals, respond to program playback requests from each terminal, and provide data interface services for each audio workstation.
- * Provide full-duplex voice data exchange, respond to the call and call request of each intercom terminal, support one-click call, one-click intercom, one-click help, one-click alarm and other call modes, support automatic answer, manual answer, support Custom answer tone.
- * Support a variety of call strategies, including call waiting, call transfer, unanswered reminder, support time strategy and transfer strategy custom settings. Support setting intercom terminal call strategy, can customize the call time 0-180S or unlimited, can choose whether to answer automatically, support custom selection of incoming call ringtone and waiting ringtone
- * Support terminal short-circuit input linkage triggering. The linkage trigger scheme and the number of trigger terminals can be arbitrarily set. The trigger scheme includes short-circuit output, music playback, patrol alarm, etc.
- * Program timing tasks, support programming multiple sets of timing schemes, support the selection of any terminal and set any time; support timing tasks to perform tests and set repeat cycles. Support a variety of audio sources for scheduled tasks (music playback, sound card collection, terminal collection).
- * Support multiple sets of scheduled ringing schemes to be enabled at the same time, each set of scheduled ringing schemes to support multiple sets of tasks to be performed simultaneously, and support one-button activation / deactivation of all schemes.
- * Support the function of timing ringing, cloning of the ringing scheme, task execution and stop control, timed task disabling and enabling functions.
- * Support regular patrol function, Support custom patrol task execution time and repeat cycle, and can customize the flashing interval of indicator light 0-30s. Support external lock-free key short-circuit switch (with 3.3V LED indicator light).
- * Support today's task list view, easily manage all scheduled task information and execution status executed today.
- * Support terminal anti-removal alarm, terminal disassembly trigger alarm or other terminal linkage trigger alarm; support alarm task to automatically cancel the alarm function.
- * Support external control power management of audio terminal, support timing on and delay off; Support lighting control function, and can configure lighting mode.
- * Support the whole area, district fire protection linkage, support fire N ± N mode, manual alarm and digital alarm. Support configuration alarm to trigger terminal collection tasks.
- * Support unified management terminal login password, support multi-level priority management, and support easy automatic authorization. Support task priority, terminal priority, user priority customization
- * Support multi-user, any level of sub-control management, and realize remote program playback management.
- * Support multi-user, multi-level, designated authority, designated function, designated terminal for classified management of the background.
- * Support terminal 3 and 4 sound control strong cutting function (4-wire sound control requires external power supply).
- * Log in to the background of the broadcasting system through the webpage. The terminal can perform 5-band equalizer adjustment: the terminal can be adjusted to ± 16dB at 80Hz, 300Hz, 1KHz, 3KHz, and 10KHz frequency points, which makes the terminal equipment adjust the modified sound effect in different live environments .
- * Support power control partition settings for 8-way power partition terminals, and can easily set partitions through the web page background or sub-control client.
- * Support setting the time display configuration for the terminal, which can set the brightness value of 1-6 levels, and can set the mode such as not displaying the time after offline.
- * Support to set different light modes for the terminal, you can customize the red light on, red light off, green/blue light on, and green/blue light off time 0.1S-10S.
- * Support the configuration of the terminal freeze time, prohibit the terminal from performing tasks during the terminal is frozen, suitable for scenarios such as exams or breaks.
- * Support broadcast, intercom, real-time acquisition, terminal monitoring and recording.
- * Support remote remote on-demand function to realize remote remote on-demand on playground.
- * Support the terminal audio acquisition and broadcast function, to achieve audio test audio file acquisition and broadcast.
- * Support local audio collection function, play to any designated terminal.
- * Support offline scheduled ringing function, realize the terminal to host the scheduled ringing task when the network is disconnected; support offline download of the scheduled ringing task.
- * Expand the support of telephone broadcasting functions, and realize the function of telephone initiating whole-area broadcasting or district broadcasting.
- * Support text broadcast function, which can convert text to speech, support adjusting speech rate in the background, and setting male voice or female voice.
- * Support remote firmware upgrade of the terminal without the need to upgrade locally to the terminal, reducing the workload of maintenance staff.
- * Support background skin change function, you can switch skin theme freely according to your preference.
- * Support terminal details export function, support to export the configuration details of the current system terminal by table, bringing convenience to system management.
- * Support batch modification of time of scheduled tasks and execution terminal.
- * Extended support for mobile WIFI on-demand, broadcast, intercom functions, compatible with Android and IOS system mobile APP for operation.
- * Support to provide secondary software development kits, provide standard MFC dynamic link library and HTTP protocol to achieve integration with third-party platforms.
- * It Support docking with a high-precision GPS-based timing system, which can independently broadcast the time of the broadcast system without the Internet, making the system time error less than 1/300000 seconds per year.
- * Support electronic map function, real-time check terminal status on map / navigation map.
- * Support online map function, you can directly use Baidu map to view terminal status on the map in real time.
- * Support terminal self-defining area division, realizing the real-time status of the terminal area management.
- * The log records the system operation status, records the system operation and terminal working status in real time, and records every call, call, and broadcast operation.
- * The system is compatible with any network structure such as router, switch, bridge gateway, Modem, Internet, 2G, 3G, 4G, etc.
- * Windows service mode, support win7, server2008 and higher systems.
- * It uses the background system service to run. It is an enterprise-level standard server working mode. The system can run automatically when it is turned on. It has higher stability and reliability than the software running in the foreground of the interface.
- * Support multi-level server access to achieve terminal and task hierarchical management. Support the server as a relay server to access the upper-level server.

IP Network Broadcast with Hot Backup Control Center (Industrial Computer) Software V3.0 T-7700SR



Description

The broadcasting system management and control software, installed in the network broadcasting control center or computer, is a comprehensive management platform for broadcasting system data exchange, system operation and function operation.

Features

- * The software is the core of the entire system. It manages all audio terminals in the system, including paging microphones, intercom terminals, broadcast terminals, and fire-fighting interface devices. It displays the IP address, online status, task status, operating status, and volume of audio terminals in real time.
- * Support the operation of each audio terminal, responsible for audio stream transmission management, respond to each audio terminal's playback request and full-duplex audio exchange, support B / S architecture, and log in through the webpage for terminal management, user management, program playback management, audio File management, recording storage, internal communication scheduling and processing.
- * Manage program library resources, provide regular audio and real-time on-demand media services for all audio terminals, respond to program playback requests from each terminal, and provide data interface services for each audio workstation.
- * Provide full-duplex voice data exchange, respond to the call and call request of each intercom terminal, support one-click call, one-click intercom, one-click help, one-click alarm and other call modes, support automatic answer, manual answer, support Custom answer tone.
- * Support a variety of call strategies, including call waiting, call transfer, unanswered reminder, support time strategy and transfer strategy custom settings. Support setting intercom terminal call strategy, can customize the call time 0-180S or unlimited, can choose whether to answer automatically, support custom selection of incoming call ringtone and waiting ringtone
- * Support terminal short-circuit input linkage triggering. The linkage trigger scheme and the number of trigger terminals can be arbitrarily set. The trigger scheme includes short-circuit output, music playback, patrol alarm, etc.
- * Program timing tasks, support programming multiple sets of timing schemes, support the selection of any terminal and set any time; support timing tasks to perform tests and set repeat cycles. Support a variety of audio sources for scheduled tasks (music playback, sound card collection, terminal collection).
- * Support multiple sets of scheduled ringing schemes to be enabled at the same time, each set of scheduled ringing schemes to support multiple sets of tasks to be performed simultaneously, and support one-button activation / deactivation of all schemes.
- * Support the function of timing ringing, cloning of the ringing scheme, task execution and stop control, timed task disabling and enabling functions.
- * Support regular patrol function, Support custom patrol task execution time and repeat cycle, and can customize the flashing interval of indicator light 0-30s. Support external lock-free key short-circuit switch (with 3.3V LED indicator light).
- * Support today's task list view, easily manage all scheduled task information and execution status executed today.
- * Support terminal anti-removal alarm, terminal disassembly trigger alarm or other terminal linkage trigger alarm; support alarm task to automatically cancel the alarm function.
- * Support external control power management of audio terminal, support timing on and delay off; Support lighting control function, and can configure lighting mode.
- * Support the whole area, district fire protection linkage, support fire N ± N mode, manual alarm and digital alarm. Support configuration alarm to trigger terminal collection tasks.
- * Support unified management terminal login password, support multi-level priority management, and support easy automatic authorization. Support task priority, terminal priority, user priority customization
- * Support multi-user, any level of sub-control management, and realize remote program playback management.
- * Support multi-user, multi-level, designated authority, designated function, designated terminal for classified management of the background.
- * Support terminal 3 and 4 sound control strong cutting function (4-wire sound control requires external power supply).
- * Log in to the background of the broadcasting system through the webpage. The terminal can perform 5-band equalizer adjustment: the terminal can be adjusted to ± 16dB at 80Hz, 300Hz, 1KHz, 3KHz, and 10KHz frequency points, which makes the terminal equipment adjust the modified sound effect in different live environments .
- * Support power control partition settings for 8-way power partition terminals, and can easily set partitions through the web page background or sub-control client.
- * Support setting the time display configuration for the terminal, which can set the brightness value of 1-6 levels, and can set the mode such as not displaying the time after offline.
- * Support to set different light modes for the terminal, you can customize the red light on, red light off, green/blue light on, and green/blue light off time 0.1S-10S.
- * Support the configuration of the terminal freeze time, prohibit the terminal from performing tasks during the terminal is frozen, suitable for scenarios such as exams or breaks.
- * Support broadcast, intercom, real-time acquisition, terminal monitoring and recording.
- * Support remote remote on-demand function to realize remote remote on-demand on playground.
- * Support the terminal audio acquisition and broadcast function, to achieve audio test audio file acquisition and broadcast.
- * Support local audio collection function, play to any designated terminal.
- * Support offline scheduled ringing function, realize the terminal to host the scheduled ringing task when the network is disconnected; support offline download of the scheduled ringing task.
- * Expand the support of telephone broadcasting functions, and realize the function of telephone initiating whole-area broadcasting or district broadcasting.
- * Support text broadcast function, which can convert text to speech, support adjusting speech rate in the background, and setting the play times of loops.
- * Support remote firmware upgrade of the terminal without the need to upgrade locally to the terminal, reducing the workload of maintenance staff.
- * Support background skin change function, you can switch skin theme freely according to your preference.
- * Support terminal details export function, support to export the configuration details of the current system terminal by table, bringing convenience to system management.
- * Support batch modification of time of scheduled tasks and execution terminal.
- * Extended support for mobile WIFI on-demand, broadcast, intercom functions, compatible with Android and IOS system mobile APP for operation.
- * Support to provide secondary software development kits, provide standard MFC dynamic link library and HTTP protocol to achieve integration with third-party platforms.
- * Support docking with a high-precision GPS-based timing system, which can independently broadcast the time of the broadcast system without the Internet, making the system time error less than 1/300000 seconds per year.
- * Support electronic map function, real-time check terminal status on map / navigation map.
- * Support online map function, you can directly use Baidu map to view terminal status on the map in real time.
- * Support terminal self-defining area division, realizing the real-time status of the terminal area management.
- * The log records the system operation status, records the system operation and terminal working status in real time, and records every call, call, and broadcast operation.
- * The system is compatible with any network structure such as router, switch, bridge gateway, Modem, Internet, 2G, 3G, 4G, etc.
- * Windows service mode, support win7, server2008 and higher systems.
- * It uses the background system service to run. It is an enterprise-level standard server working mode. The system can run automatically when it is turned on. It has higher stability and reliability than the software running in the foreground of the interface.
- * Support the dual-system hot backup function of the system server. When the main server fails to work due to network disconnection / power failure, the system will automatically switch the scheduled tasks and system equipment configuration information to the backup server.

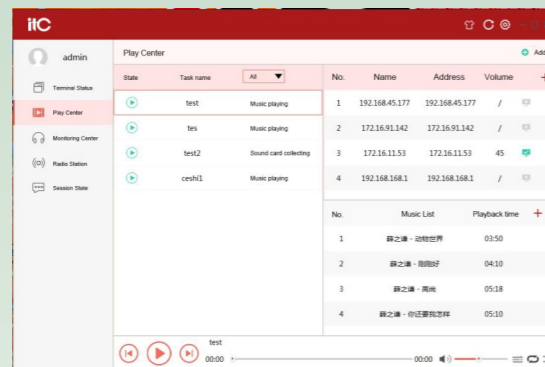
Software (IP Software Dongle) T-7700KEY



Features

* IP network software encryption device, the software registration is used with dongle format, the registration can effectively set the amount of authorized terminals and the duration using time.

IP Network Broadcast System Sub-control Software V2.03 T-7700T



Description

The remote control workstation software uses the IP network (local area network, wide area network) to remotely log in to the server to realize remote audio playback, real-time acquisition and broadcast, session management, and broadcast room speech.

Features

- * The digital client sub-control software runs on a desktop computer or laptop computer of the Windows operating system (compatible win7-win10, server2008 or higher), and the user can control the broadcasting system by logging in through the authority verification of the system server.
- * The client software uses the network (LAN, WAN) to log in to the server remotely. It Support multiple sets of client software to log in to the server at the same time, and each set of client software works independently.
- * It can realize terminal status viewing, audio playback, monitoring center, broadcast room broadcast and intercom, session status monitoring and other functions.
- * Support real-time viewing of the working status, volume, and task of the broadcast terminal, and the terminal volume can be set on the terminal status interface.
- * Support the creation of a text broadcast task, which can convert text to speech, support background speech adjustment, and set male or female voice functions.
- * Support the creation of terminal acquisition tasks, you can set ordinary, intermediate, advanced collection sound quality types.
- * Support the creation of sound card collection tasks. Real-time acquisition and broadcast can be performed through the sound card of the computer where the sub-control client is located, and the recorded content can be recorded and stored.
- * Support the creation of music playback tasks, you can play local files, you can choose multiple songs for sequential playback or loop playback or random playback.
- * Support the function of initiating monitoring and it can select the monitoring terminal in the monitoring center to monitor the content played by a certain task.
- * Support remote real-time paging broadcast to a certain terminal / division or whole area, and support selection of network paging microphone for real-time intercom.

IP Broadcasting Smart Portable Client Software V6.24 T-7700WP



Features

- * Login: basic user login function, you need to fill in the account password and IP address.
- * Task Manager: view the detailed information of tasks being performed by the system, and support operations such as Previous/Next, Play/Pause, Volume control, etc.
- * Broadcast: select the terminal device that needs to perform the broadcast task in the terminal list, and you can initiate a recording broadcast/general broadcast.
- * Initiate intercom: in the terminal list, you can initiate one-to-one intercom to a single terminal. (Note: It is not allowed to initiate intercom between smart portable terminals)
- * Shortcut function: set voice recognition, voice text input, and the switch to initiate the previous broadcast/intercom (A/B button).
- * My playlist: view the playlist and playlist details, and delete/add playlists.
- * Temporary task: display task name, task description, task picture, play/stop icon.
- * Support music searching and task type filtering.
- * Terminal positioning: perform position marking operations on the terminal; view the distance information of the terminal position, which is used to initiate positioning broadcasts.
- * Scan code broadcast: scan the QR code of the device to obtain the management permission to initiate broadcast tasks.
- * Beidou positioning broadcast: obtain the nearby terminal list devices, and initiate paging operations directly through Beidou positioning.
- * Voice broadcast: direct natural language input. For example, directly speak: "Initiate broadcast on terminal 12" to initiate a broadcast task on this terminal.
- * Recording broadcast: support local storage of real-time recording files, and support pushing recording files to the broadcast controller for playback.
- * Broadcast room: support the designated terminal playing the recording files, initiating broadcast paging, and searching for historical broadcast records.
- * Media library: support creating music broadcasting tasks for partitions or designated terminals.

**IP Network Controller
T-7700**



Features

- *The cabinet adopts Industrial cabinet, steel structure, with excellent anti-magnetic, dustproof and anti-shock capability.
- *17.3" LED screen is built in five-wire industrial reinforced touch screen. Easy-to-use touch screen control.
- * Built-in industrial-grade telescopic keyboard, built-in industrial-grade touch mouse panel + left and right button design, support external mouse and keyboard through USB interface, convenient for users to operate.
- *Industrial-grade dedicated motherboard design, Intel Core i5 quad-core processor, faster processing, more powerful performance. It can work continuously for a long time.
- *Built-in 128GBmSATA SSD has the characteristics of anti-vibration, anti-fall, fast reading and writing speed, low power consumption and so on.
- *Equipped with 8 USB ports (4 sets of universal serial bus), 6 universal serial ports (6 sets of industrial asynchronous transfer interfaces), up to 480M transfer rate. These facilitate the expansion of peripheral equipment access.
- *Equipped with 2 channel gigabit network card, compatible with 100 MB network. Adaptive switch connection system.
- *Support dual graphics card, which can be connected to the maximum Full HD display device.
- *It has a short circuit to trigger the boot interface, which is used for the external device timing drive to boot and realize the unattended function.
- *Support automatic boot when power-on, timed automatic boot, timed automatic shutdown functions for convenient and flexible operation management.
- *After the server software is carried, it constitutes the system management control center. The server software runs under the background system service. It is an enterprise-level standard server working mode. The booting system can run automatically, which is more stable and and reliable than the software running in the foreground of the interface.
- *Support recording storage function. You can customize the recording file save path in the background.

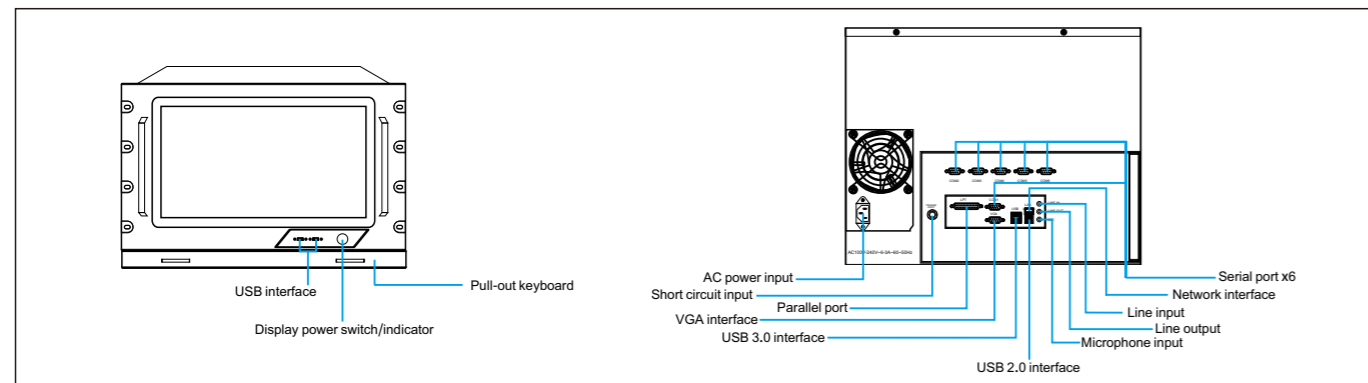
Description

- * The operating carrier of the IP network digital broadcast server software is the control center of the broadcast system.
- * It is installed in the control room to manage the entire broadcast system in real time.

Specification

Model	T-7700
Screen size	17.3"
Screen color	TFT262144 true color
LED screen	17.3 "High-resolution LED LCD screen (1920*1080)
Touch screen	10-point capacitive touch screen
Working temperature	-10°C~50°C
Relative humidity	10%~95%, no condensation
Chipset	Intel B75
Standard interface	6 x serial port; 1xHDMI, 1xVGA; 8xUSB port;
Storage	Support 3.5", 2.5", mSATA hard disk; standard: mSATA 128G
RAM	DDR3 1333/1600 MHz 16GB(MAX); standard: 8G /DDR3/ 1600 MHz
Network card	2 Realtek Gbe, 1000M
Network protocol	Support IPv6, IPv4
CPU	Intel Core i5 3.10GHz quad-core
System audio SNR	LINE: 70dB; MIC: 60dB
System audio signal THD	1KHz<0.5%
System audio signal standard input level	LINE: 300mV; MIC: 5mV
System audio signal standard output level	0dBV
Power supply	Input voltage: AC100V-240V
Software operating platform	Windows server 2008
Dimension(mm)	484(W)x358.5(H)x306.5(D) (excluding handle)
Weight	18.40kg

Rear Panel



**IP Network Controller
T-7700A**



Features

- * The cabinet adopts Industrial cabinet, steel structure, with excellent anti-magnetic, dustproof and anti-shock capability.
- * 17.3" 1080P full HD screen. Easy-to-use touch screen control.
- * Built-in industrial-grade telescopic keyboard, built-in industrial-grade touch mouse panel + left and right button design, support external mouse and keyboard through USB or PS/2 interface, convenient for users to operate.
- * 8 USB ports, 6 universal serial ports, 480M transfer rate. These facilitate the access of peripheral equipment access.
- * Industrial dedicated motherboard design, Intel B75 chipset architecture, Intel Core i7-2600 @ 3.40GHz quad-core CPU, memory DDR3 standard 8G.
- * Large capacity 256G mSATA hard disk. Read and write speed reaches 600MB/S without any mobile mechanical parts. With superior durability and reliability.
- * Dual Gigabit NIC redundancy backup design to meet high-performance network data exchange, which can transmit hundreds of program sources at the same time.
- * Support dual graphics card. Can be connected to the FullHD display device.
- * It has a short circuit to trigger the boot interface, which is used for the external device timing drive to boot and realize the unattended function.
- * Support automatic boot when power-on, timed automatic boot, timed automatic shutdown functions for convenient and flexible operation management, as well as less unnecessary power loss and waste.
- * After carrying the server software, it constitutes the system management control center. The server software runs under the background system service. It is an enterprise-level standard server working mode. The booting system can run automatically, which has higher stability and reliability than software running in the foreground of the interface.
- * Support backup function. Increase standby industrial computer to realize server software data sharing. Detect the working status of the main industrial computer in real time and realize automatic fault active-standby switch, which can completely replace the management control function of the main industrial computer.
- * Support recording storage function. You can customize the recording file save path in the background.

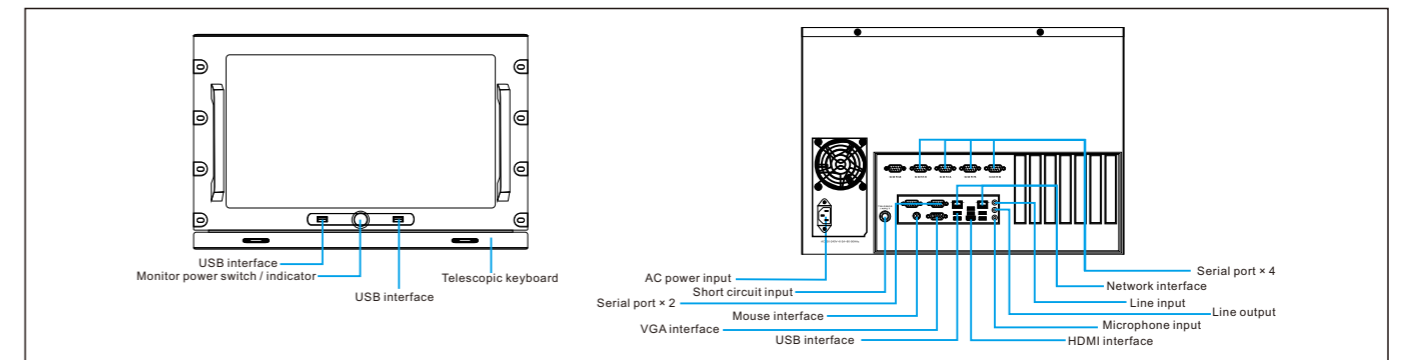
Description

- * The operating carrier of the IP network digital broadcast server software is the control center of the broadcast system.
- * It is installed in the control room to manage the entire broadcast system in real time.

Specification

Model	T-7700A
Screen size	17.3 inches
Screen color	24-bit full color
LED screen	17.3 "High-resolution LED LCD screen (1920*1080)
Touch screen	10-point capacitive touch screen
Screen ratio	16:9
Working temperature	-10°C~50°C
Storage temperature	-20°C~60°C
Relative humidity	10%~95%, non-condensing state
Standard interface	1xPS/2 interface; 6xserial ports; 1xVGA; 1xHDMI, 8xUSB interfaces; 2xGigabit Ethernet ports; 1xAudio
Hard disk	Support 3.5", 2.5", mSATA hard disk; standard configuration: mSATA 256GB
RAM	DDR3 1333/1600 MHz supports 16GB; standard configuration: 8G/DDR3 /1600 MHz
Network card	Intel dual gigabit network interface network card
Network protocol	Support IPV6, IPV4 network protocol
CPU	Intel Core i7-2600 @ 3.40GHz quad core
Chipset	Intel B75
System audio SNR	LINE: 70dB; MIC: 60dB
System audio THD	1KHz<0.5%
System audio signal standard input level	LINE: 300mV; MIC: 5mV
System audio signal standard output level	0dBV
Power supply	Input voltage: AC100V-240V
Software operating platform	Windows server 2008
Size(mm)	484Wx358.5Hx306.5D (without handle)
Weight	18.4kg

Rear Panel



**IP Network Controller
T-7700H**



Features

- *High-strength aluminum alloy panel, metal housing, high-temperature baking finish, simple and elegant appearance.
- * Dust-proof air duct design, low noise, high dustproofness, fast heat dissipation, and stable operation.
- * Pure industrial design, excellent heat dissipation structure, AC100-240V wide voltage input. The cabinet is resistant to contact 4Kv strong electromagnetic interference.
- * With 2 Xeon E5-2643V2 server processors, multi-core and multi-threaded, fast computing speed.
- * The server motherboard comes standard with 2 gigabit network cards (Intel82574 network card chip), 1 independent remote control interface (IPMI), easy to manage and maintain, 6 COM ports (RS-232), 6 USB2.0 ports, Independent graphics card, 7.1 channel independent sound card.
- * Telescopic keyboard and mouse design, with independent graphics, multiple PCI, PCIE, HDMI+DVI high-definition interface output, support Blu-ray HD hard-decoding, support network or local 1080P video.
- * It has a short circuit to trigger the boot interface, which is used for the external device timing drive to boot and realize the unattended function.
- * Support recording storage function. You can customize the recording file save path in the background.

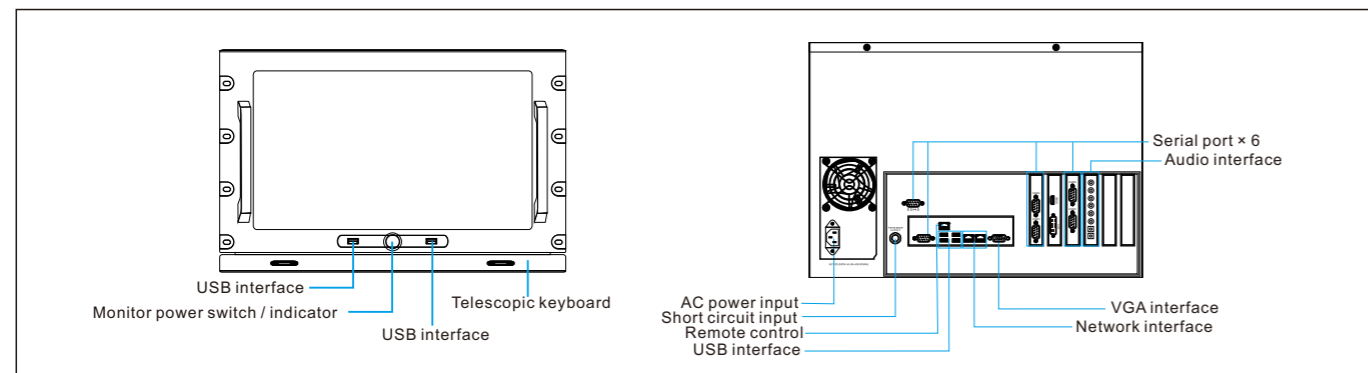
Description

- * The operating carrier of the IP network digital broadcast server software is the control center of the broadcast system.
- * It is installed in the control room to manage the entire broadcast system in real time.

Specification

Model	T-7700H
Screen	17.3 inches
Resolution	1920(H)×1080(V)
Brightness	300cd/m ²
Viewing angle	89/89/89/89 (up/down/left/right)
Touch screen	Ten-point industrial standard capacitive touch screen
CPU	Intel®Xeon®processorE5-2600, Intel®Xeon®processorE5-2600v2, DualSocketLGA-2011(SocketR3) CPU, standard E5-2643V2×2CPU (main frequency 3.5GHz, six cores and twelve threads)
Chipset	C602
BIOS	16MBSPIAMIBIOS@SMFlashBIOS
RAM	8×DIMM, up to 512GB RECC DDR3/1600MHz, standard 2×16GBRECC DDR3/1600MHz
Display	NuvotonBMC Video Controller (MatroxG200eW), standard G2101G independent display
Extension slot	3*PCIE3.0x16, 1*PCIE2.0x4 (inx8), 1*PCIE2.0x1, 1*PCI
Network feature	2×10/100/1000Mbps adaptive network port, support remote wake-up
Hard Disk Bit	Supports 2×2.5" and 2×3.5" hard disks, standard 1×128GSSD+1T 3.5-inch enterprise hard disk
I/O interface	1-channel HDMI and 1-channel DVI video output interface, 2×LAN, support 10/100/1000Mbps (82574), 1×IPMI, 6×COMRS232, 6×USB2.0, 2×audio output interfaces, 1×TRIGGERINPUT
Sound card	7.1 sound card
Operating temperature	-10°C~60°C, 5%~95% (non-condensing state)
Storage temperature	-20°C~70°C, 5%~95% (non-condensing state)
Power supply	AC100-220VATX300W
ESD	Contact 4kV, air gap 6kV electromagnetic interference
Anti-vibration	GB/T2423.10
Cabinet material	High-strength aluminum alloy panel
Installation method	Rack or desktop
Software operating platform	Windows server 2008
Dimension (W×H×D)	484×353.5×339.43 (mm)
Net weight	19.9kg
Gross weight	22.3kg

Rear Panel



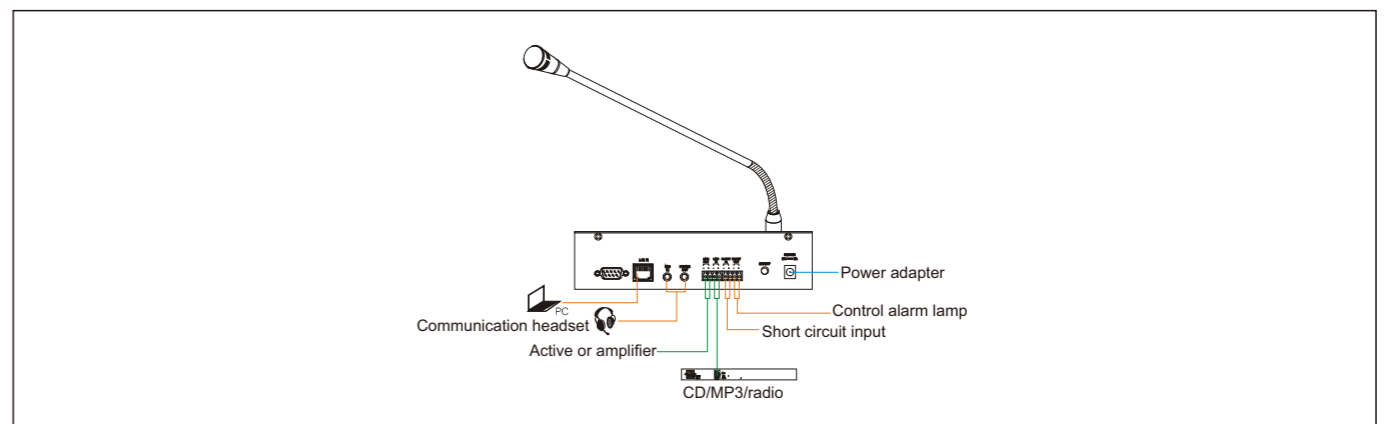
**Desktop Intercom Paging Microphone
with 7-inch Touch Screen
T-7702A**



Specification

Model	T-7702A
Network Interface	Standard RJ45 input
Support Protocol	TCP/IP,UDP,IGMP (Multicast)
Audio Format	MP3
Sampling Rate	8K~48KHz
Transmission rate	100Mbps
Audio Mode	16 bit CD quality
Display Size	7-inch
Screen Resolution	800 x 480 Pixel
Screen Type	65K Color DGUS Screen
Keyboard Type	virtual QWERTY Keyboard
Keyboard Input Type	Touch screen
Inscribed speaker impedance and power rating	4Ω,2W
THD	≤1%
Frequency response	80Hz~16KHz +1dB/-3dB
SNR	>65dB
PHONE OUT output impedance and power rating	16Ω,2mW
LINE OUT Output Level	100mV Industry standard wire terminals
LINE OUT Output Impedance	470Ω
LINE IN Input Sensitivity	350mV Industry standard wire terminals
MIC Input Sensitivity(Unbalance)	10mV
Short-circuit input	Dry contact input
Short-circuit output	Max 1A/30VDC Dry contact input
Working Temperature	5°C~40°C
Working Moisture	20%~80%Relative humidity, without condensation
Working Consumption	≤6W
Power Input	~190-240V 50-60Hz (power adapter); DC24V/2A
Size	200×160×60 mm
Weight	1.2Kg

Rear Panel



Description

It is applied to a variety of call centers, alarm centers, duty room, leadership offices, meeting rooms and so on, to fulfill one way paging (point to point, to a single zone, or all zones) to a variety of network terminals, two-way intercom and monitoring.

Features

- * With desktop design, it's built-in 7 inch resistance touch screen by 800 × 480 dot matrix K600 + kernel 65K color, to fulfill clear display and sensitive touch. Humanized operation interface.
- * With numeric and function keys interface. Support paging to single or multiple zones, all zones. Support direct paging or intercom with terminal, support environmental monitoring to any terminal, with distance up to 5 meters.
- * With embedded computer technology and DSP audio processing technology, high-speed industrial-grade chips.
- * Built in 1 channel network hardware audio decoding module that Support TCP / IP, UDP, IGMP (multicast) protocol to achieve 16-bit stereo CD quality network audio signal transmission.
- * It is compatible with routers, switches, bridges, gateways, Modem, Internet, 2G, 3G, 4G, multicast, unicast and other arbitrary network structures.
- * Support full-duplex two-way intercom function, built-in network echo cancellation module. Support two-way intercom between the terminals, with network delay less than 100ms, and suppress the network echo howling completely.
- * Support hints of asking for help signal ringing and flashing lights , one key to accept the call, intercom, hands-free calls and receive broadcast, to achieve quick links.
- * Support multiple paging modes, including paging waiting, paging forwarding, no answer reminding.
- * Support for answering automatically, manual answering, and support for custom answer tone.
- * Support user-defined setting of time for call forwarding , no answer, call waiting.
- * Built-in 2W full-frequency hi-fi speaker, to fulfill two-way conversation and network monitoring.
- * One φ3.5 headphone jack and one φ3.5 MIC input socket, matching with 95% headphones and a portable microphone in the market.
- * With one line output for external amplifier expansion, one line input for more audio sources transmission.
- * One way alarm output for short circuit trigger ,can be cascaded with external alarm device or access control; one way short circuit input, can be used to trigger preset voice prompts (or alarm), and also can be used to control the access control to linkage with input short-circuit signal.
- * The digital products is more convenient for extension, no limit by the geographical position, no need increase management equipment in control center, sharing network to save cabling, simple installation.
- * It support remotely update to the hardware terminal, no need go to upgrade locally , to reduce maintenance work and make simpler operation.
- * With 10 buttons, support customized one-button paging and one-button broadcasting.

**Rack Mount IP Network Audio Adapter
T-7701**



Specification

Model	T-7701
Network interface	Standard RJ45 input
Transmission Rate	100Mbps
Support Protocol	TCP/IP, UDP, IGMP (Multicast)
Audio Format	MP3
Audio Mode	16 digit CD level
Sampling Frequency	8K~48KHz
EMC Input Sensitivity	775mV (Unbalance)
AUX Input Sensitivity	350mV (Unbalance)
MIC Input Sensitivity	5mV (Unbalance)
AUX output amplitude	1000mV 2 road lotus output interface
AUX output impedance	470Ω
Treble Boost, Attenuation	±10dB
Bass Boost, Attenuation	±10dB
Frequency Response	80Hz~16KHz
USB Interface	Support max 16G USB
Power Consumption	≤2000W
THD Ratio	THD≤3%
S/N Temperature	>65dB
Environmental	5°C~40°C
Environment Humidity	20%~80% Relative humidity, without condensation
Power Supply	~220V 50Hz
Size	484×303×88mm
Weight	5.2Kg

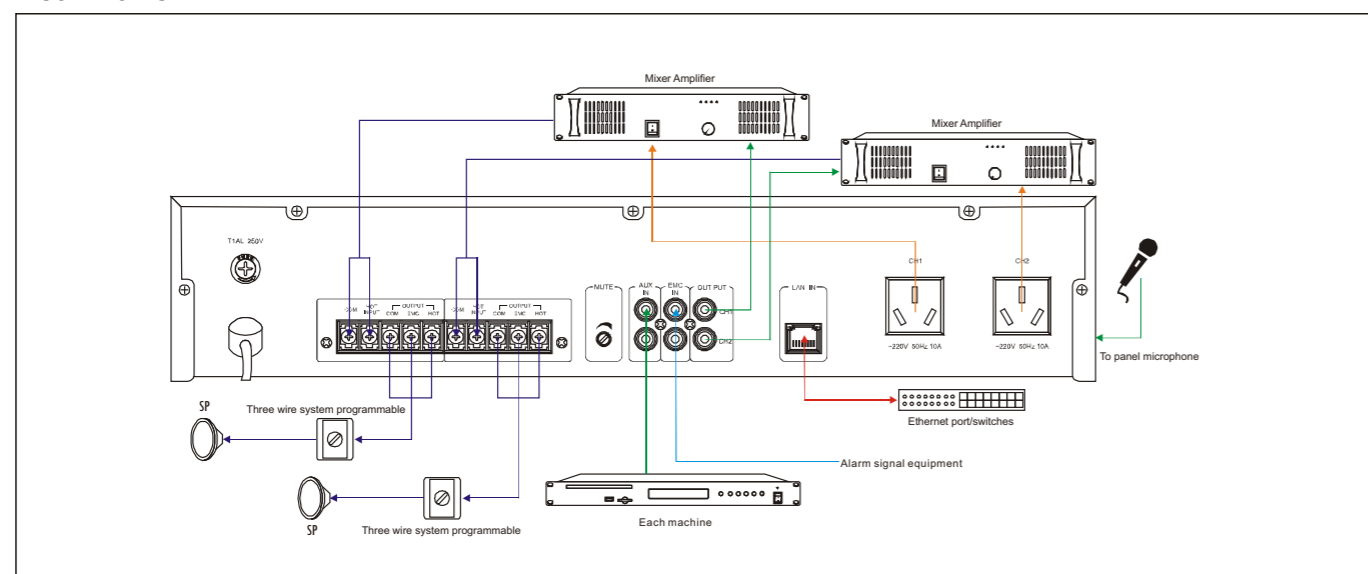
Description

It is a popular used model installed in low voltage room or parallel room of radio management area, matched with 2 sets of power amplifier. It is an ideal choice to broadcast in hall, corridor, outdoor areas etc.

Features

- * With design of 19 rack mount IP/TCP network audio adapter, black alumina panel, Solid Handle, Professional mechanical assembly process, with excellent high-end appearance.
- * Industrial-grade LCD display in 3.4-inch , it can clearly show the majority of dot pattern and machine working status; equipped with infrared remote control, on-demand all contents in server program library, available to control the playback / pause, flexible and simple operation.
- * Embedded with PC technology, built-in DSP Audio processing technology design.
- * Built-in 1-channel network hardware audio decoding module, support TCP/IP, UDP, and IGMP (Multicast Protocol), enabling networked transmission of 16-bit CD-quality audio signals
- * One channel line(AUX) and one channel Mic (Mic) input interface. Support independent bass and treble adjustment and support offline local paging function without Internet.
- * One way of EMC input interface, enter the emergency alarm voice signal straightly as the highest priority.
- * 2 way auxiliary audio signal output interface, extensible external power amplifier, the standard XLR interface, with convenient wiring connection .
- * Two way of three-wire volume control relay output interface, no need 24V power supply, it compatible with four-wire volume control alarm relay output at the same time, it needs DC 24V relay power supply.
- * Support 2-way power supply outlet, Built-in intelligent power management, it will automatically cut off output power when there is no BGM music or calling, and automatically turn on the output power supply when there is a signal.
- * Built-in 3 priority setting:
EMC signal with the highest priority
Network alarm signal has higher priority than MIC, AUX and network background music signal
MIC has higher priority than AUX network background music signal
AUX and network background music are at the same priority level.
- * Support silence intensity preset decrease function, support background level indicator, protection indicator, standby light and so on. Authorized operation management functions, Unified configuration and management user and password by the server.
- * It is compatible with any network structure such as routers, switches, bridge gateways, modems, Internet, 2G, 3G, 4G, multicast, and unicast.
- * Digitalized products, easy expansion, not limited by geographical location, no need to increase the engine room management equipment, adopt a total network of free road construction design, easy to install.
- * It Support remote hardware upgrade of the terminal, no need to upgrade at the local site, to reduce maintenance burdens and make more simple operation.
- * With USB playback function. Can remotely play any song and play the previous one, the next one, pause, stop and other functions (or select panel keys for operation).

Rear Panel



**IP network decoding adapter
(decoding terminal with 8 partitions)
T-7701Z**



Specification

Model	T-7701Z
Network Interface	Standard RJ45 Input
Transmission rate	100Mbps
Supporting Protocols	TCP/IP, UDP
Audio format	MP3
Audio mode	16-bit CD sound quality
Sampling rate	8KHz~48KHz
EMC input sensitivity	775mV (unbalanced)
AUX input sensitivity	350mV (unbalanced)
MIC input sensitivity	5mV (unbalanced)
AUX Output Amplitude	1000mV 2 RCA Output Interface
AUX Output Impedance	470Ω
Tenor Rise and Attenuation	±10dB
Bass Uplift and Attenuation	±10dB
Power Consumption	2000W
Standby Power Consumption	<10W
Power Output Socket	~220V 50Hz 10A, 2 way
Frequency response	80Hz~16KHz +1/-3dB
Harmonic distortion	≤1%
Signal to Noise Ratio	≥65dB
Working ambient temperature	5°C~40°C
Working environment humidity	20%~80% relative humidity, no condensation
Input power supply	~220V 50Hz
Size	484 x 303 x 88mm
Weight	4.8Kg

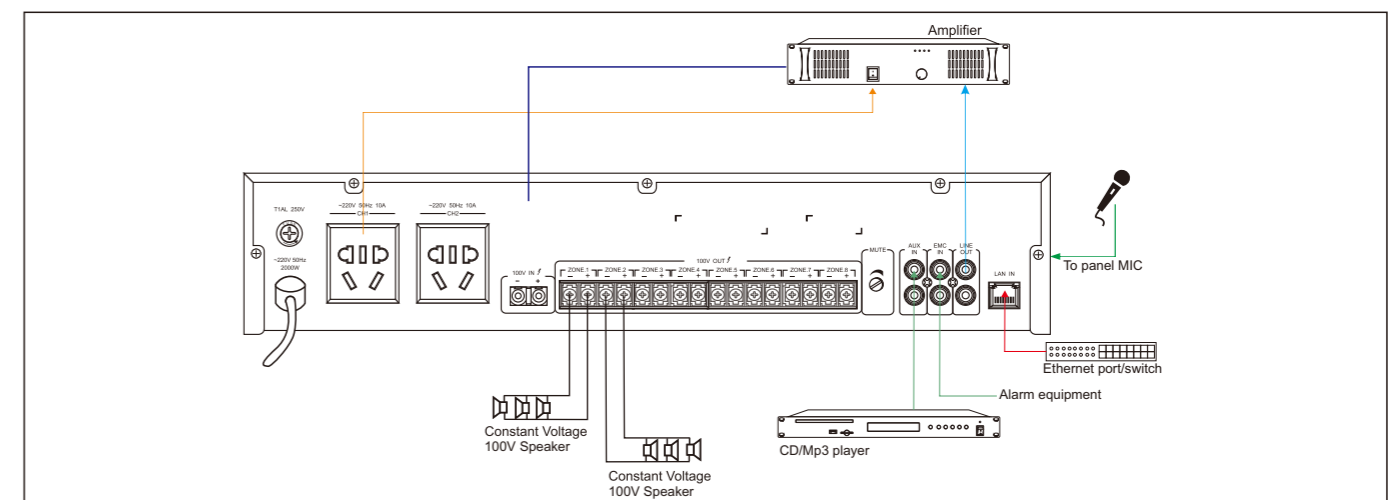
Description

Rack mounted IP network decoding terminal has cost-effective professional public IP network broadcasting. It is installed in weak electricity or sub-control computer room in each broadcasting management area for program broadcasting and local broadcasting in hall, corridor, outdoor and other areas.

Features

- * Standard 19-inch rack design, black alumina wire drawing panel, solid handle, professional mechanical assembly process, high-end machine appearance.
- * Industrial 3.4-inch LCD display can clearly display most dot matrix patterns and machine working state. It is equipped with infrared remote control and VOD server library for arbitrary content. It can control playback/pause and operate flexibly and simply.
- * The application of embedded computer and DSP audio processing technology.
- * Built-in 1-channel network hardware audio decoding module, support TCP/IP, UDP, realize network transmission of 16-bit CD audio signal.
- * Built-in independent constant voltage 100V input interface, support 8-zone independent control to choose the 1-8 zone output. After configure in the software, it Support call any zone (or zone group), and all zones. Support configuring a zone (or zone group) for a single period of time to perform timing tasks. The alarm task triggers to play the task in any zone(or zone group), real-time file plays the task in any zone (or zone group) , and real-time terminal collects the task in any zone (or zone group). The 100V output is used to connect 100V constant-voltage speakers. The output audio comes from the input end.
- * 1 line (AUX) and 1 microphone (MIC) input interface, with independent volume adjustment, high and low tone regulator potentiometer control, support disconnection local paging function.
- * 1 EMC input interface, the emergence alarm signal is direct connection, with the highest priority.
- * 2 channel audio signal auxiliary output interfaces, expandable to connect external power amplifier, standard RCA interface, wiring connection is very convenient.
- * Support two power outlets, built-in intelligent power management. When the machine has no audio signal input for 3 to 5 minutes, it automatically closes the power supply and the machine is in standby state; when there is signal input, it automatically opens the power supply. At the same time, it Support network pre-opening to realize intelligent power management.
- * Built-in 3-level priority setting:
EMC is the highest priority.
Network alarm signals is prior to MIC, AUX and network background music signals.
MIC is prior to AUX and network background music signals.
AUX and network background music are in the same level, without any priority.
- * Support mute intensity preset reduction function, background accompaniment preset function, and status lamp display, including level indicator lamp.
- * Compatible with any network structure such as router, switch, bridge gateway, Modem, Internet, 2G, 3G, 4G, etc.
- * Digital products, easy to expand, not limited by geographical location, no need to add control room management equipment.
- * Support to remote upgrade the terminal firmware , without upgrading to the terminal locally, can reduce the maintenance work.

Rear Panel



**IP Network Decoding Terminal
T-7702M**



Description

It is suitable for various call centers, alarm centers, duty rooms, conference rooms, etc., and can unidirectionally (point-to-point, district or whole district) call to various terminals in the network.

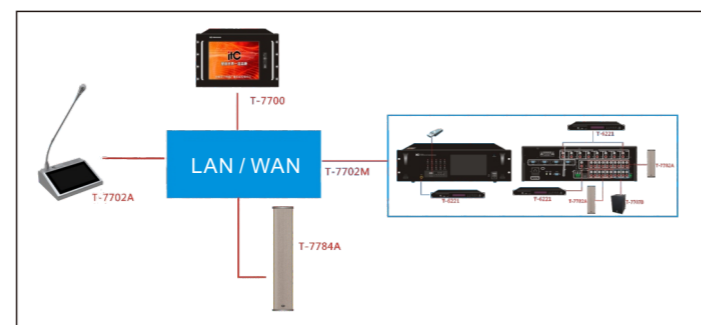
Features

- * Standard 19-inch cabinet design, all aluminum alloy industrial panel; Come with 7-inch 1024 x 600 capacitive touch screen. The display is clear. Enter into sleep, low power consumption and power-saving state when there is no operation; humanized operation interface.
- * Come with number keys and function key interface. Support call area and multiple areas, call the whole area broadcast.
- * With intercom button, support direct operation call or intercom any terminal.
- * Using embedded computer technology and DSP audio processing technology design; using high-speed industrial-grade chips.
- * Built-in 1-channel network hardware audio decoding module, supporting TCP / IP, UDP protocols, and realizing network transmission of 16-bit CD-quality audio signals.
- * With built-in audio matrix function, 8 groups of AUX external audio input interfaces, support each independent volume adjustment; support 10 groups of LINE OUT output, audio output on / off function can be controlled by panel keys
- * Come with IP network digital, SD, USB, radio, can control 2 groups of 4 channels of audio output on / off function through the keys on the panel.
- * Come with one PHONE INPUT input interface and one microphone input interface, each channel has its own independent volume adjustment, and the input sound source can realize mixing collection input.
- * One alarm triggers short-circuit output, cascades external alarm devices or controls access control; one short-circuit input can be used to trigger preset voice prompts (or alarms), and can also be used to control access control input short-circuit signals.
- * Super remote control distance up to 1 km (unobstructed), 10 groups of remote control effective time periods can be customized, the start time and end time of each group can be set, 12 task keys and 6 can be preset Function key
- A. The task key can achieve any time, any number of terminals, any volume of any music playback.
- B. Function keys can be used to pause / resume, stop, previous song, next song, volume up, volume down on the current task.
- * With four 9-pin D-type data serial ports, each remote paging microphone can adjust the volume button separately.
- * Compatible with any network structure such as router, switch, bridge gateway, Modem, Internet, 2G, 3G, 4G, etc.
- * Digital products, easy to expand capacity, not restricted by geographical location, no need to increase equipment room management equipment, adopt the design concept of common network free line construction, easy installation.
- * Support the broadcast system to upgrade the terminal's remote firmware without the need to upgrade locally to the terminal, reducing the workload of maintenance personnel.

Specification

Model	T-7702M
Network Interface	Standard RJ45 input
Supporting Agreement	TCP/IP,UDP
Audio Format	MP3
Sampling Rate	8K~48KHz
Transmission Rate	100Mbps
Audio Mode	16-bit CD sound quality
Screen Size	7 inch
Screen Resolution	800x480 pixels
Screen Type	Capacitive touch
Keyboard Type	Virtual QWERTY Keyboard
Keyboard Input Method	Touch
AUX In	8 groups
Line Out	10 groups
Other Interfaces	1 "PHONE INPUT" input interface and 1 "MIC" input interface, 4 "COM" interfaces
Short-circuit Trigger	1 short-circuit output interface, 1 short-circuit input interface SD / USB / FM
MP3 player	SD/USB/FM
Harmonic Distortion	≤1%
Frequency Response	80Hz~16KHz -3dB/+1dB
Signal to Noise Ratio	≥65dB
Harmonic Distortion	≤1%
Frequency Response	317Hz~3.4KHz -3dB/+1dB
Signal to Noise Ratio	≥65dB
MIC Input Sensitivity	5mV
MIC Frequency Response	317Hz~3.4KHz -3dB/+1dB
Short-circuit Input	Dry contact input
Short-circuit Output	1A/30VDC
Operating Temperature	-10°C~40°C
Environment Humidity	20%~80%, no condensation
Power Supply	~220V 50Hz
Power Consumption	≤10.2W
Dimension	484x359x132mm
Weight	6.6Kg

Rear Panel



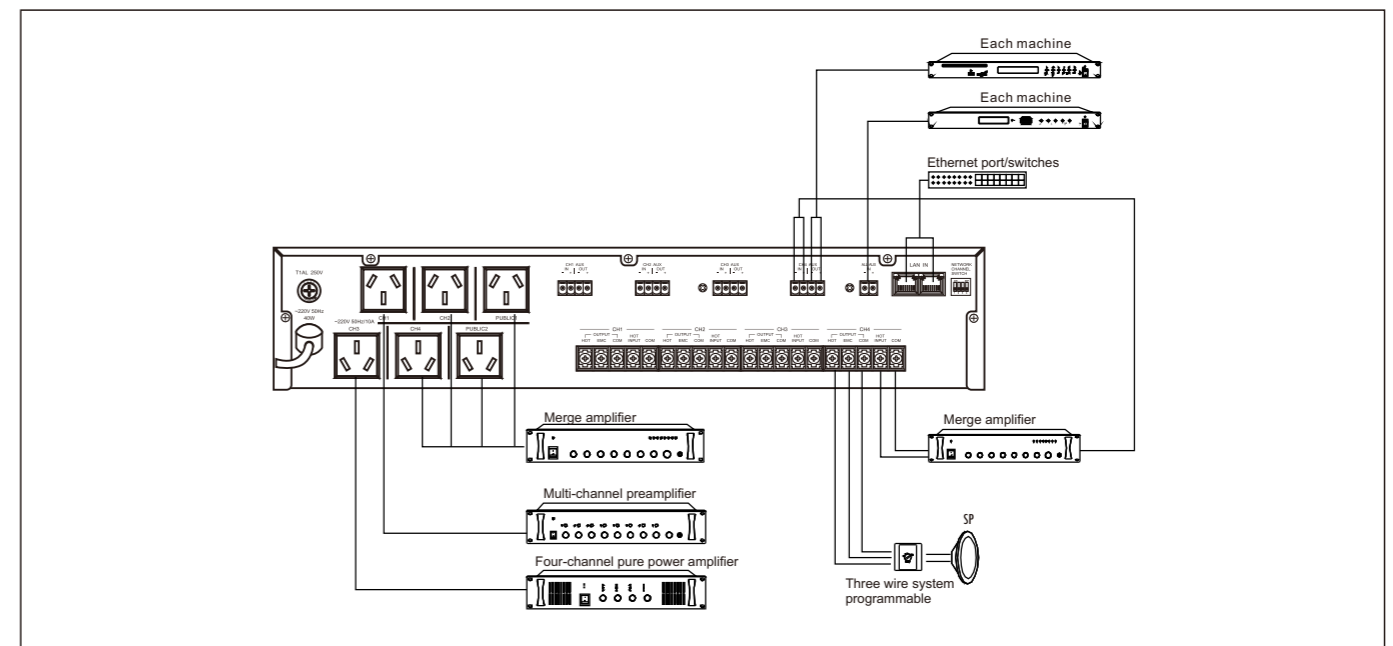
**Rack Mount 4 Channel IP Adapter
T-7704**



Specification

Model	T-7704
Network Interface	Stand RJ45 input (2 Group RJ45)
Transmission Rate	100Mbps
Protocol	TCP/IP,UDP
Audio Formats	MP3
Audio Mode	16 Stereo CD Tone
Sampling Rate	8K~ 48KHz
Aux Input Level	Four-channels single 350mV industry standard
Audio Output Level	Four-channels 1000mV industry standard terminals
MIC Input Sensitivity	5mV
Total AUX Input Level	350mV industry standard
Harmonic Distortion	≤0.3%
Signal To Noise Ratio	>65dB
Frequency response	80Hz~16KHz
Power Supply	~220V 50Hz
Power Consumption	≤2000W
Standby Power Consumption	<10W
Working Temperature	5°C~ 40°C
Operating Humidity	20% ~ 80% relative humidity, no condensation
Size	484×303×88mm
Weight	6Kg

Rear Panel



Description

T-7704 is a popular model installed in control room or sub-control room, connecting with 4 power amplifiers. It is widely used for broadcasting in hall, corridor, outdoor areas etc.

Features

- * It is a 19 rack mount IP/TCP network audio adapter, with black alumina panel, strong handle, professional mechanical assembly process, high-end appearance.
- * With embedded computer technology and DSP audio processing technology.
- * Build-in 4-channel network hardware audio decoding modules, support TCP/IP, and UDP protocol, to realize the network transfer audio signal .
- * 4-channel audio outputs to connect four power amplifiers. It adopts industrial connectors and fixing screw, with higher connection reliability than conventional connectors.
- * Four independent line (AUX1/AUX2/AUX3/AUX4) audio input interfaces and network background signal mixing, with independent volume adjustment.
- * With 1 AUX and Mic mix inputs, independent volume adjustment, one key to open priority, prior to network audio signal. Support zone paging (max 4 zone) function under network disconnected condition.
- * With 4 independent power outputs and 2 public power outputs, it is easy to cascade with other devices. It is with intelligent power management, can automatically cut off the main power output in case of no music or paging, and make the cascaded devices enter into standby status. Meanwhile, the power output can be preset to open automatically.
- * With 4-channel independent three-wire alarm relay interface, to ensure alarm can be controlled by control center, no need additional 24V DC power supply. Volume control is 3-wires connected and with no limit of quantity.
- * The rear panel has 4-channel independent two-color LED indicators to display the network connection status; the front panel has 4-channel independent two-color LED indicators to display priority level, network alarm status; one power indicator to display the power status.
- * Built-in dual network interface, can easily realize network port backup and cascade with other equipment, etc.
- * Support 100 self-defined audio priority silence control (support multi-channel signal amplification, mixing, three-level priority control).
- * Authorization operation management function, support server unified configuring and managing the user password.
- * The 4-channel network hardware audio decoding modules are with independent power switch management, to easily modify the network IP decoder address.
- * Support remote hardware upgrade of the terminal, no need to upgrade at the local site, to reduce maintenance work.

Rack Mount Economic IP Amplifier
T-7760B/T-77120B/T-77240B
T-77350B/T-77500B/T-77650B



Description

Installed in weak power room or sub-control room of each broadcast management area, it has built-in high-fidelity power amplifier, suitable for the halls, corridor, outdoor and other areas of the program broadcast and local radio.

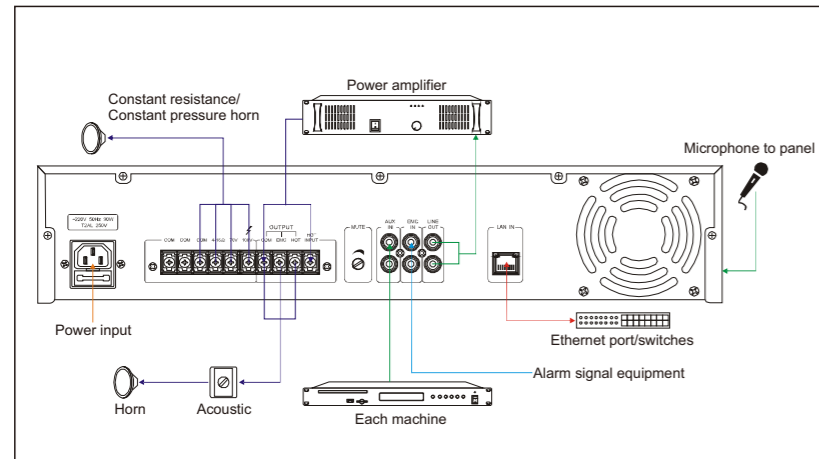
Features

- * Standard 19 inch rack design, black alumina panel, solid handle, professional mechanical assembly process, the appearance is very high-end.
- * Industrial-grade LCD display in 3.4-inch , which can clearly display most dot matrix patterns and machine working status; equipped with infrared remote control, it use to any content in the program library of the on-demand server, available to control the play/ pause, flexible and simple operation.
- * With embedded computer and DSP audio processing technology.
- * Built-in 1-channel network hardware audio decoding module, support TCP / IP, UDP, to achieve network transmission 16-bit CD audio quality audio signal.
- * Built-in high-fidelity professional digital amplifier, with 60W/120W/240W/350W/500W/650W constant voltage 100V power output.
- * 1-channel (AUX) and 1 microphone (MIC) input interface, with independent volume and treble/bass adjustment potentiometer control, support without internet local paging function.
- * 1-channel EMC input interface, input emergency alarm voice signal is direct connection (Without switching), with the highest priority.
- * 1-channel audio signal auxiliary output interface, it can expandable by connect external power amplifier, the standard lotus seat interface, wiring connection is very convenient.
- * 1-channel of three-wire volume control forced cut output interface, without forced cut power supply.
- * Built-in intelligent power management, when there is no music or call, it will automatically cut off the power of amplifier, when there is signal, it will automatically turn on the power of amplifier, support IP software programming pre-open power amplifier function.
- * Built-in 3-level priority settings
- * EMC is the highest priority.
- * The network alarm signal have higher priority over MIC, AUX and network background music signals.
- * MIC has higher priority over AUX and network background music signals.
- * AUX and network background music at the same priority level.
- * Support silence intensity preset decrease function, support background accompaniment preset function; support status light display, including level indicator, protection indicator, standby light and so on.
- * Compatible with routers, switches, bridge gateway, Modem, Internet, 2G, 3G, 4G, and any other network structure.
- * Digitalized products, easy expansion, not limited by geographical location, no need to increase the engine room management equipment, adopt the design concept of common network free line construction, easy to installation.
- * Support remote hardware upgrade of the terminal, no need to upgrade at the local site, to reduce maintenance burdens and make more simple operation.
- * With USB playback function, access USB. You can remotely play any song and play the previous, next, pause, stop and other functions (or select panel keys for operation).
- * One short-circuit input can be used to trigger preset voice prompts (or alarms), and can also be used to control access control linkage input short-circuit signals.
- * It comes with a 100V constant voltage power backup input interface, which can flexibly form a highly reliable public ringing system with one master multiple slaves, multiple masters one slave, and multiple masters multiple slaves.
- * The built-in high-performance main/slave switching detection module can switch to the backup power input within 0.3 seconds when the network is disconnected or the machine fails.

Specification

Model	T-7760B T-77120B T-77240B T-77350B T-77500B T-77650B
Network Interface	standard RJ45 input
Transmission Rate	100Mbps
Protocol Support	TCP/IP,UDP
Audio Format	MP3
Audio Mode	16 bits CD sound quality
Sampling Rate	8KHz~48KHz
EMC Input Sensitivity	775mV (Unbalance)
AUX Input Sensitivity	350mV (Unbalance)
MIC Input Sensitivity	5mV (Unbalance)
AUX Output Amplitude	1000mV 2 lotus flower output interface
AUX Output Impedance	470Ω
Treble Adjustment Range	±10dB
Bass Adjustment Range	±10dB
USB Interface	Maximum support 16G memory USB access
Rated Power	60W 120W 240W 350W 500W 650W
Power Consumption	90W 180W 370W 540W 750W 950W
Standby Power Consumption	<10W
Frequency Response	80Hz~16KHz +1/-3dB
Harmonic Distortion	≤1%
SNR	>65dB
Output Method	100V constant voltage output
Short Circuit Input	Dry contact input
Circuit Protection	DC output, overload, over temperature, short circuit protection
Working Temperature	5°C~40°C
Working Environment Humidity	20%~80% relative humidity, no condensation
Power Input	~220V 50Hz
Size	484 x 359 x 132mm
Weight	6.8kg 6.9kg

Rear Panel



Rack Mount Economic 8-zone IP Amplifier
T-77240Z/T-77350Z/T-77500Z



Product Introduction

Installed in weak power room or sub-control room of each broadcast management area, it has built-in high-fidelity power amplifier, suitable for the halls, corridor.

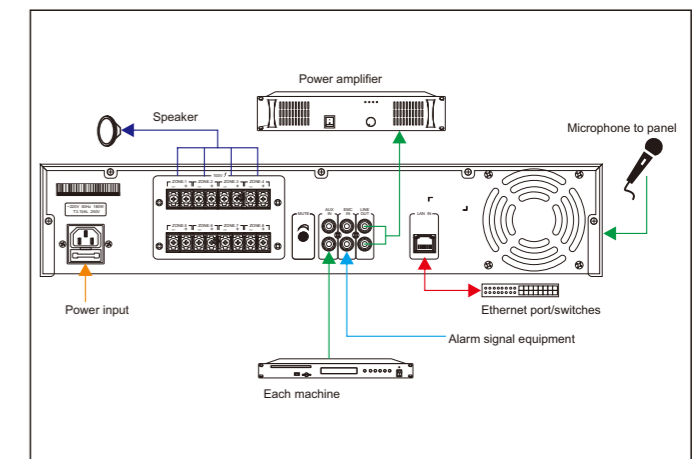
Product Feature

- * Standard 19 inch rack design, black alumina panel, solid handle, professional mechanical assembly process, the appearance is very high-end.
- * Industrial-grade LCD display in 3.4-inch , which can clearly display most dot matrix patterns and machine working status; equipped with infrared remote control, it use to any content in the program library of the on-demand server, available to control the play/ pause, flexible and simple operation.
- * With embedded computer and DSP audio processing technology.
- * Built-in 1-channel network hardware audio decoding module, support TCP / IP, UDP, to achieve network transmission 16-bit CD audio quality audio signal.
- * Built-in high-fidelity professional analog power amplifier, with 240W 8-zones independent control constant voltage 100V power output selection. 1-8 zone output port, after the server PC software is configured, it can support call arbitrary area (or partition group), support to call all the zones on same time. Support configuring a region (or partition group) for a single period of time to perform timing tasks. The alarm task triggers any area (or partition group) task, real-time file plays any area (or partition group) task, and real-time terminal picks up any area (or partition group) task. The output terminal of the area is 100V, which can be used to connect 100V constant pressure speaker.
- * 1-channel (AUX) and 1 microphone (MIC) input interface, with independent volume and treble/bass adjustment potentiometer control, support without internet local paging function.
- * 1-channel EMC input interface, input emergency alarm voice signal is direct connection (Without switching), with the highest priority.
- * 1-channel audio signal auxiliary output interface, it can expandable by connect external power amplifier, the standard lotus seat interface, wiring connection is very convenient.
- * Built-in intelligent power management, when there is no music or call, it will automatically cut off the power of amplifier, when there is signal, it will automatically turn on the power of amplifier, support IP software programming pre-open power amplifier function.
- * Built-in 3-level priority settings
- * EMC is the highest priority.
- * The network alarm signal have higher priority over MIC, AUX and network background music signals.
- * MIC has higher priority over AUX and network background music signals.
- * AUX and network background music at the same priority level.
- * Support silence intensity preset reduction function, background accompaniment preset function, and support status lamp display, including level indicator, protection indicator, standby indicator, etc. The standby power of the whole machine is less than 10W.
- * Compatible with any network structure such as router, switch, bridge gateway, Modem, Internet, 2G, 3G, 4G, etc.
- * Digitalized products, easy expansion, not limited by geographical location, no need to increase the engine room management equipment, adopt the design concept of common network free line construction, easy to installation.
- * It Support remote hardware upgrade of the terminal, no need to upgrade at the local site, to reduce maintenance burdens and make more simple operation.

Specification

Model	T-77240Z	T-77350Z	T-77500Z
Network Interface	Standard RJ45 input		
Transmission Rate	100Mbps		
Support Protocol	TCP/IP, UDP		
Audio Format	MP3		
Audio Mode	16 bits CD sound quality		
Sampling Rate	8KHz~48KHz		
EMC Input Sensitivity	775mV (Unbalance)		
AUX Input Sensitivity	350mV (Unbalance)		
MIC Input Sensitivity	5mV (Unbalance)		
AUX Output Amplitude	1000mV 2 RCA output		
AUX Output Impedance	470Ω		
Treble Adjustment Range	±10dB		
Bass Adjustment Range	±10dB		
Rated Power	240W	350W	500W
Power Consumption	370W	540W	750W
Standby Power Consumption	<10W		
Frequency Response	80Hz~16KHz +1/-3dB		
THD	≤1%		
SNR	>65dB		
Output Method	100V constant pressure output		
Circuit Protection	DC Output, Overload, Overtemperature, Short Circuit Protection Circuit		
Working Temperature	5°C~40°C		
Working Environment Humidity	20% ~80% relative humidity, no condensation		
Input Power	~220V 50Hz		
Dimension	484 x 359 x 132mm		
Weight	13.7Kg	15.5Kg	18Kg

Rear Panel



**Economic Wall Mounted IP Terminal
(with Constant Impedance Amplifier)
T-7705A**



Description

It is widely used in schools, office buildings, convention centers, alarm centers, railway stations and so on. Based on network digital transmission, it can realize the functions of BGM broadcast, timing ringing task, sound source collection, one-way paging, and so on.

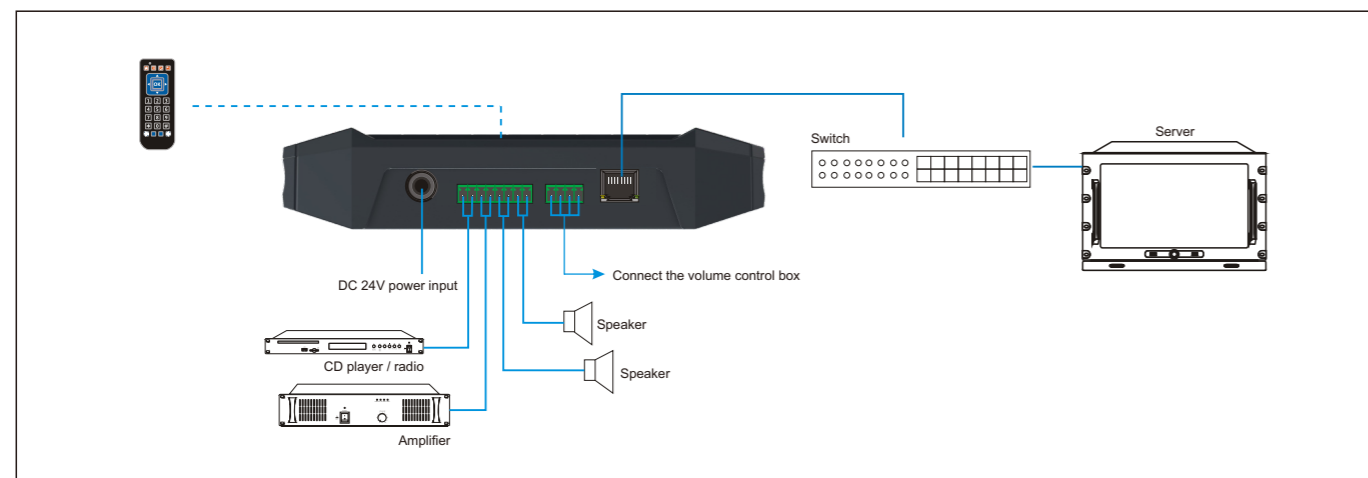
Specification

Model	T-7705A
Network Interface	Standard RJ45 input
Support Protocol	TCP/IP, UDP
Audio Format	MP3
Sampling Rate	8KHz~48KHz
Transmission Speed	100Mbps
Audio Mode	16-bit CD sound quality
Display Size	4.3 inches
Panel Type	TFT True Color LCD Display
Operational Mode	infrared remote control
Remote Control Distance	Less than 8 meters, straight line, barrier-free
Total Gear Wave Distortion	≤1%
Frequency Response	80Hz~16KHz +1/-3dB
SNR	≥68dB
AUX Input Sensitivity	350 mV industrial standard crimping terminal
LINE OUT Output Sensitivity	1000mV
LINE OUT TOTAL CHIP	≤0.1%
WAVE DISTORTION	
Working Temperature	5°C~40°C
Working Humidity	20%~80% relative humidity, no condensation
Input Power Supply	190V-240V 50Hz-60Hz, Power adapter DC24V/1.5A
Power Waste	≤70W
Size	190×110×40mm
Net Weight	0.5Kg

Features

- * Wall-mounted design, compact size, aluminum alloy integrated structure design, exquisite and beautiful.
- * The equipment is designed with embedded computer technology and DSP audio processing technology.
- * The built-in network IP decoding module can play network music and do one-way paging in real time. The network delay time of acquisition, playback and one-way call function in the system is less than 100 ms.
- * With 4.3-inch TFT true color LCD display, support to synchronize the server time.
- * Support the setting of lock screen for terminal display screen. The lock screen time can be customized.
- * It has infrared remote control function.
- * Through the infrared remote controller, it can realize viewing local information, viewing playback status, adjusting AUX and network volume, broadcasting on demand of the files in media library of the server or audio files in the device connected into USB interface devices.
- * Support play on demand function, realizes the real-time on demand function of network media library, Support the operation of the previous/next song, cyclic playback and other functions.
- * The equipment comes with two 65*5mm grinding light guide bars, which can be set to light red or blue indicator lights regularly (flicker can be set, flicker interval can be customized), and can be used for auxiliary prompts when ringing bells in class or after class.
- * Built-in 2 x 30W constant resistance power amplifier, can connect external speaker. The sound quality is very delicate and the power is strong. It has network volume setting function.
- * With 1-channel line input interface and 1-channel line output interface, suitable for local broadcasting.
- * Support to expand with 2.4G wireless audio module and realize 2.4G wireless microphone for local broadcasting;
- * Expandable connection with Bluetooth receiver to receive Bluetooth audio for local broadcasting
- * It has a one-channel USB input interface, which is suitable for local broadcasting on demand. It Support to play the local files in the devices connected into the USB interface under network disconnected condition
- * It has a docking interface of voice control box to support the expansion of the voice control box equipment to achieve AUX volume control and network volume control.
- * 3-level priority functions:
 1. The network alarm signal is prior to the network background music signal and the local AUX input signal.
 2. Network background music signal is prior to local USB playback.
 3. Network background music signal or local USB playback is at the same level as the local AUX input signal, can be mixed output.
- * Compatible with any network structure such as router, switch, bridge gateway, Modem, Internet, 2G, 3G, 4G, etc.
- * Digital products, easy to expand, not limited by geographical location, no need to add management equipment, the use of common network without line construction design concept, easy installation.
- * Support the broadcasting system to upgrade the terminal hardware remotely, no need to upgrade the terminal locally, and reduce the maintenance work.

Rear Panel



**Wall-mounted IoT IP network terminal
T-7705AC**



Description

Integrated with multimedia central control, power amplifier, broadcast and other modules, the server can perform intelligent control, intelligent adjustment, and scene linkage to the device. The system is highly integrated, simple to operate, stable and reliable, and can be used in multimedia classrooms, multi-functional conference halls, etc..

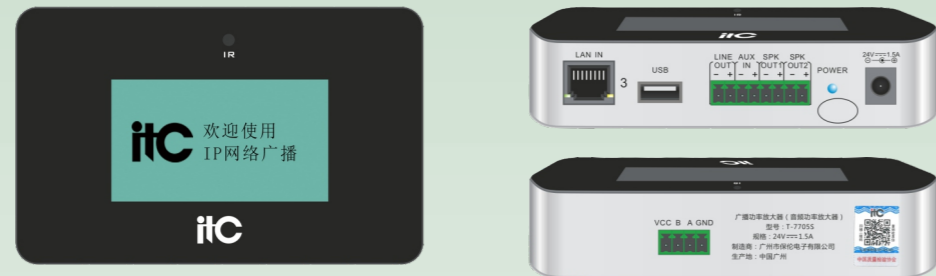
Features

- * Wall-mounted design, compact size, exquisite and beautiful.
- * The equipment is designed with embedded computer technology.
- * The built-in network IP decoding module can play network music and do one-way paging in real time. The network delay time of acquisition, playback and one-way call function in the system is less than 100 ms.
- * Support two-way weak relay control function.
- * With infrared remote control function, and infrared learning function.
- * Built-in 2 x 20W (MAX) constant resistance power amplifier, can connect external speaker.
- * Support one-key reset to restore the factory state of the device.
- * Support 2-channel RS-485 control, one of which expands the touch panel; support 2-channel RS-232 to support two-way transmission.
- * With 1-channel line input interface and 1-channel line output interface, suitable for local broadcasting.
- * The panel indicator light can indicate the operation of the port; the panel has a real-time clock display.
- * Support DC24V power supply, safe and reliable.
- * With powerful management software, it can realize the functions such as timing program broadcasting, arbitrary single-point or group broadcasting, audio real-time acquisition and broadcasting, voice alarm linkage, and remote sub-control management.
- * Customizable instructions. User can define buttons through programmable modules.

Specification

Model	T-7705AC
Network interface	Standard RJ45
Network rate	100Mbps
Cross network segment	Support cross-segment network centralized control management
Audio input	1-channel AUX, network broadcast decoding module
Audio output	1 LINEOUT, 2 power amplifier output
Amplifier output	2*20W (MAX), constant resistance 8Ω
LINE IN frequency response	80Hz-16kHz (±0.5db)
LINE IN sensitivity	350±40mV
LINE OUT THD	<0.1%
SPK OUT THD	<1%
SNR	>75dB(A)
RS-232 port	2 channels
RS-485 port	2 channels (one of which is an extended touch panel interface)
I/O port	2 channels
Infrared sending port	2 channels
Weak relay port	2 channels
Power output	1 channel, 24V (MAX 20W)
Whole power consumption	48W (MAX)
Working temperature	-10°C~+45°C
Working humidity	20%~80% relative humidity, no condensation
Overall size	180*145*40 (mm)
Weight	0.95kg
Installation method	Wall-mounted

**IP Terminal
T-7705S**



Product Introduction

It is suitable for playback of recorded voice files or background music programs in ordinary classrooms, multimedia classrooms, offices, conference rooms, prisons, hospital departments, subway and other places.

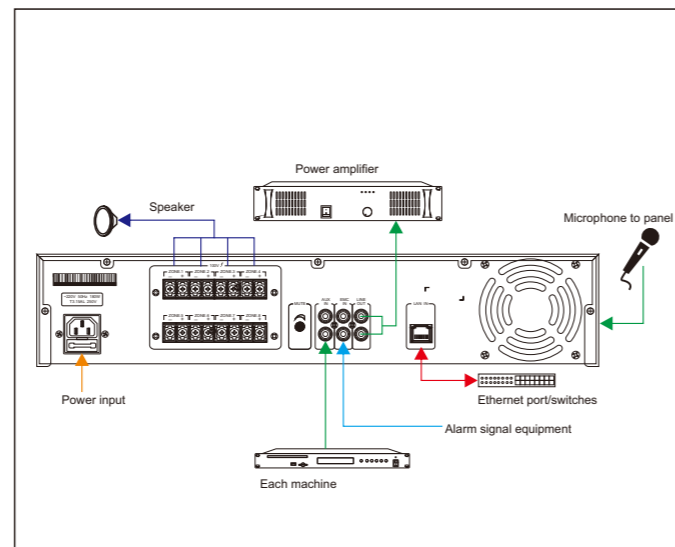
Features

- * Standard wall-mounted design, with small size, aluminum alloy structure design, excellent manufacture technology and marvelous appearance.
- * The equipment is designed with embedded computer technology and DSP audio processing technology.
- * The built-in network IP decoding module can play network music and do one-way paging in real time. The network delay time of acquisition, playback and one-way call function in the system is less than 100 ms.
- * With 3.4-inch LCD display, supporting synchronous server time display.
- * Support the setting of lock screen for terminal display screen. The lock screen time can be customized.
- * It has infrared remote control function and is easy to operate.
- * Local information checking, viewing playback status, adjusting AUX and network volume, VOD server media library or audio resources of USB peripheral devices, all these function can be realized by infrared remote controller.
- * Supports VOD function, realizes the real-time VOD function of network media library, supports the operation of the previous/next song, cyclic playback and other functions.
- * Built-in 2 x 20W constant resistance power amplifier, external connected to the speaker. The sound quality is good and the power is strong. It has network volume setting function.
- * It has one line input interface and one line output interface, which is suitable for local audio broadcasting.
- * Support 2.4G wireless audio module can be expanded to realize local amplification of the 2.4G wireless microphone.
- * Support connecting with Bluetooth receiver to receive Bluetooth audio for local sound broadcasting.
- * It has a one-way USB input interface, which is suitable for local VOD. It supports the local VOD by connect USB when the network is disconnected.
- * Compatible with any network structure such as router, switch, bridge gateway, Modem, Internet, 2G, 3G, 4G, etc.
- * Digital products, easy to expand, not limited by geographical location, do not need to add room management equipment, the use of common network without line construction design concept, easy to install.
- * Supporting the broadcasting system to upgrade the terminal hardware remotely, without upgrading to the terminal locally, to reduce the maintenance workload.
- * Equipped with an external control device interface, suitable for connecting external control equipment T-7771 or T-7772 for corresponding function expansion.

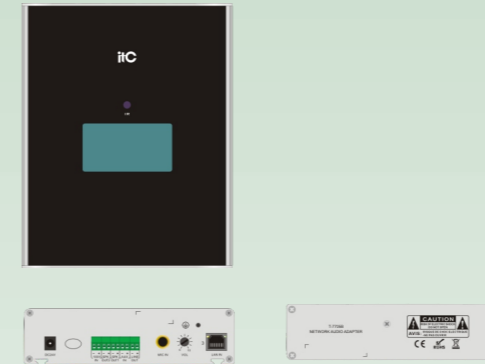
Specification

Model	T-7705S
Network Interface	Standard RJ45 input
Transmission Speed	100Mbps
Support Agreement	TCP/IP, UDP
Audio Format	MP3
Audio Mode	16-bit CD sound quality
Sampling Rate	8K~48KHz
Frequency Response	80Hz~16KHz(+1/-3dB)
Output Power	2 x 20W Industrial Standard Terminal
Harmonic Distortion	≤1%
AUX Input Sensitivity	350 mV industrial standard crimping terminal
Signal-to-noise Ratio	≥65dB
Overall Power Consumption	≤50W
Working Environment Temperature	5°C~40°C
Humidity of Working Environment	20%-80% relative humidity, no condensation
Input Power Supply	~190-240V 50-60Hz DC24V 1.5A (power adapter)
Product Size	132×83×26mm

Rear Panel



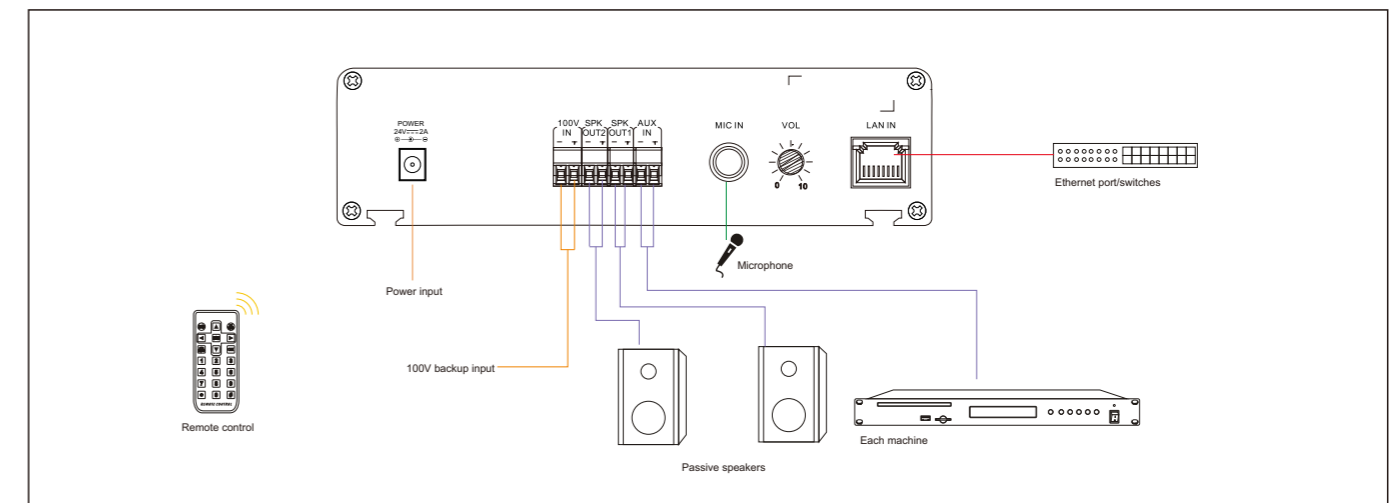
**Adapter (Economic Wall-mounted IP Terminal - with Constant Resistance Power Amplifier, Constant Voltage Signal Backup)
T-7705B**



Specification

Model	T-7705B
Network Interface	Standard RJ45 input
Support Protocol	TCP/IP, UDP
Audio Format	MP3
Sampling Rate	8K~48KHz
Transmission Rate	100Mbps
Audio Mode	16 bits CD sound quality
Display Screen Size	3.4inch
Display Screen Type	128 x 64Dot matrix display
Operate Way	Infrared remote control
Remote Control Distance	≤10m, Straight line, barrier-free
Total Kore Wave Distortion	≤1%
Frequency Response	80Hz~16KHz +1/-3dB
SNR	>65dB
AUX Input Sensitivity	350mV Industrial Standard Terminals
MIC Input Sensitivity (Unbalanced)	5mV
Working Temperature	5°C~40°C
Working Humidity	20%~80%Relative humidity, no condensation
Power Consumption	≤70W
Working Voltage	~190-240V 50-60Hz, Power adapter DC 24V
Size	170 x 210 x 45 mm
Weight	1.5Kg

Rear Panel



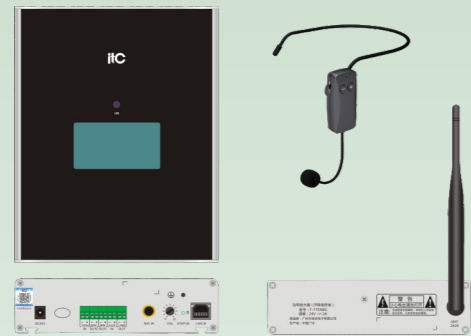
Description

It is widely used in schools, office buildings, convention centers, alarm centers, railway stations and so on. Based on network digital transmission, it can realize the functions of BGM broadcast, timing ringing task, sound source collection, one-way paging, and so on.

Product Feature

- * Standard wall-mounted design, with small size, aluminum alloy structure design, showing with exquisite beauty, excellent workmanship, and elegant appearance.
- * With clear 3.4" LCD screen, with infrared remote control function, easy to operate.
- * The equipment is designed with embedded computer technology and DSP audio processing technology.
- * The built-in network IP decoding module can play network music and do one-way paging in real time. The network delay time of acquisition, playback and one-way call function in the system is less than 100 ms.
- * Built-in high-performance master / standby switch detection module, the switching time between main and standby module is less than 0.3 second in network and power failure, the switching time between standby and main module is less than 0.3 second after the power and network failure is recovered.
- * One-channel 100V constant voltage signal backup input, it will switch to the backup channel only when the machine has network failure, it can avoid local signal and backup signal cross talk.
- * Built-in broadcasting on-demand acquisition module, can realize real-time broadcasting on-demand function in network media library.
- * Built-in 2 x 30W digital amplifier, less heating, more efficient, CD-class sound quality.
- * With 1-channel mic input interface and 1-channel line input interface, suitable for local broadcasting.
- * Support to expand with 2.4G wireless audio module and realize 2.4G wireless microphone for local broadcasting;
- * Expandable connection with Bluetooth receiver to receive Bluetooth audio for local broadcasting
- * Priority function:
 - 1)The network alarm has the highest priority.
 - 2)Local MIC, AUX, 2.4G signal and etwork background music are in same priority level
- * Compatible with router, switch, bridge gateway, Modem, Internet, 2G, 3G, 4G, multicast, unicast and any other network structure.
- * Digital products with easy expansion, without geographical restrictions, no need to increase management equipment on the machine room, using a common network from the design concept of line construction for easy installation.
- * It supports remotely upgrade to hardware on the terminal, no need to go to upgrade at the local site, to reduce maintenance work.

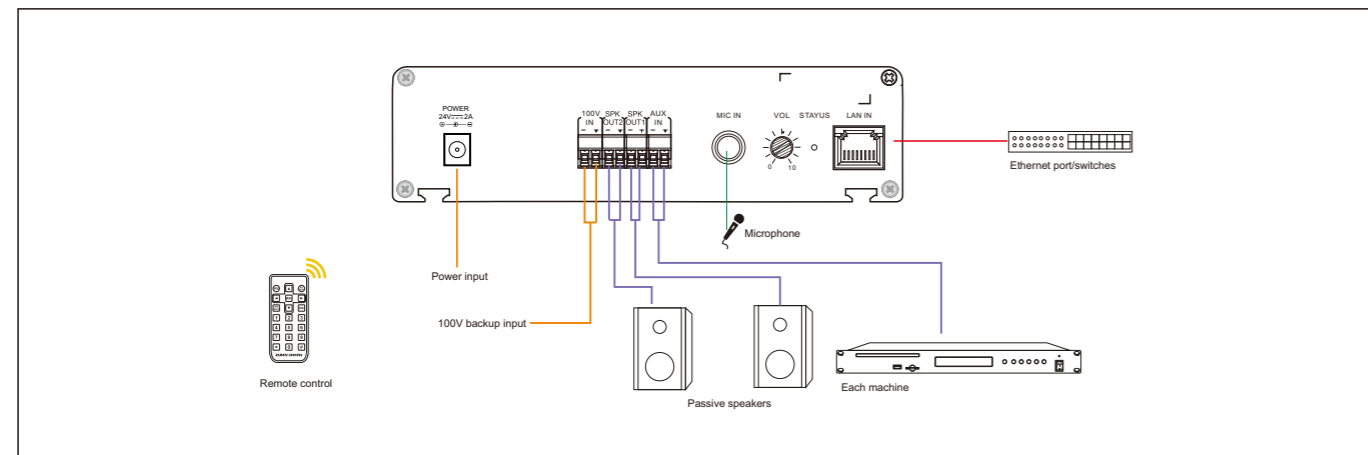
Economic Wall-mounted IP Terminal - with Constant Resistance Power Amplifier, Constant Pressure Signal Backup, with 2.4G Headset Microphone T-7705BG



Specification

Model	T-7705BG
Network Interface	Standard RJ45 input
Support Protocol	TCP/IP, UDP, IGMP(Multicast)
Audio Format	MP3
Sampling Rate	8K~48KHz
Transmission Rate	100Mbps
Audio Mode	16 bits CD sound quality
Display Screen Size	3.4inch
Display Screen Type	128 x 64Dot matrix display
Operate Way	Infrared remote control
Remote Control Distance	≤10m, Straight line, barrier-free
Total Kore Wave Distortion	≤1%
Frequency Response	80Hz~16KHz +1/-3dB
SNR	>65dB
AUXInput Sensitivity	350mV Industrial Standard Crimp Terminals
MICInput Sensitivity (Unbalanced)	5mV
Working Temperature	5°C~40°C
Working Humidity	20%~80%Relative humidity, no condensation
Power Consumption	≤70W
Working Voltage	~190-240V 50-60Hz, Power adapter DC24V
Size	170 x 210 x 45 mm
Weight	1.5Kg

Rear Panel



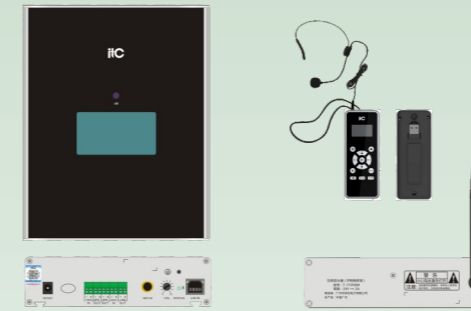
Description

It is widely applied to schools, office buildings, convention centers, alarm centers, railway stations and so on. Based on network digital transmission, it fulfills the functions of BGM broadcast, timing ringing task, sound source collection, one way paging, and so on.

Product Feature

- * Standard wall-mounted design, with small size, aluminum alloy structure design, excellent manufacture technology and marvelous appearance.
- * With 3.4-inch LCD screen, with infrared remote control function, easy to operate.
- * The equipment is designed with embedded computer technology and DSP audio processing technology..
- * Built-in network IP decoding module, which can realize real-time broadcast network music and call function; The network delay for capturing playback and call functions is less than 100mS.
- * One way 100V constant voltage signal backup input, it will switch to the backup channel. To avoid local signal and backup signal cross talk.
- * Built-in high-performance master / standby switch detection module, off the network power off the master/ standby switching time is less than 0.3 seconds, on-line power standby / master switching time is less than 0.3 seconds.
- * Built-in on-demand acquisition module, which can realize real-time on-demand function in network media library.
- * Built-in 2 x30W digital amplifier, less heating , more efficient, CD-class perfect sound quality.
- * With one microphone input and one line input, it is suitable for local live broadcast function.
- * Support connecting with Bluetooth receiver to receive Bluetooth audio for local sound broadcasting.
- * Priority function:
 - 1)The network alarm is the highest priority.
 - 2)Local MIC, AUX, 2.4G signal and etwork background music are in same priority level
- * Compatible with router, switch, bridge gateway, Modem, Internet, 2G, 3G, 4G, multicast, unicast and any other network structure.
- * With a headset microphone, Host and microphone auto-matching connection distance≤3m, paired connection time≤3s.
- * Built-in 2.4G wireless audio module, transmission frequency: 2.40-2.53MHz, high fidelity, good anti-interference. Support 2.4G wireless microphone for local broadcasting. 64K @ 16bit × 2, with HDCD sound quality effect, the best sound quality. Sound delay (<0.5ms). Response frequency: 80Hz-16KHz.
- * To achieve encrypted transmission, the receiver supports automatic sweep function, easy to avoid interference.
- * 2.4G microphone volume support volume adjustment function.
- * Charging function, with charge management function, support to charge during working, TYPE-C socket for charging, support general mobile phone charger.
- * The frequency distance (power) can be set by yourself.
- * Effective usage distance is up to 10 meters (depending on usage environment).
- * Digital products with easy expansion, without geographical restrictions, no need to increase management equipment on the machine room , sharing a common network and easy to installation.
- * It supports remotely upgrade to hardware on the terminal, no need to go to upgrade at the local site, to reduce the working strength of maintenance worker.

Economic wall-mounted IP terminal - with Constant resistance power amplifier, constant pressure signal backup, with 2.4G Bluetooth MP3/ microphone) T-7705BM



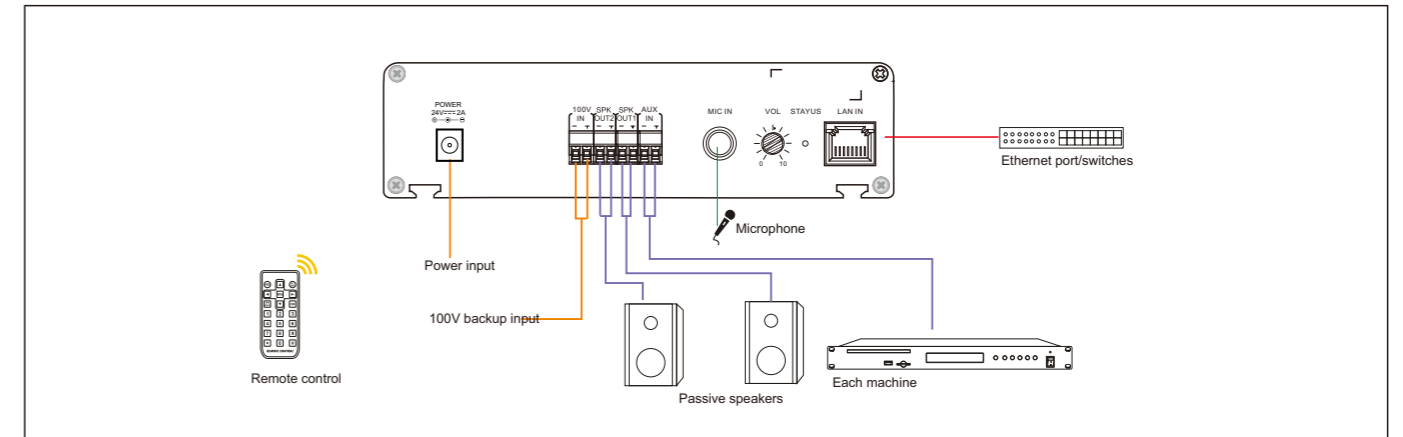
Product Introduction

It is widely applied to schools, office buildings, convention centers, alarm centers, railway stations and so on. Based on network digital transmission, it fulfills the functions of BGM broadcast, timing ringing task, sound source collection, one way paging, and so on.

Specification

Model	T-7705BM
StandNetwork Interface	Standard RJ45 input
Support Protocol	TCP/IP, UDP
Audio Format	MP3
Sampling Rate	8K~48KHz
Transmission Rate	100Mbps
Audio Mode	16 bits CD sound quality
Display Screen Size	3.4inch
Display Screen Type	128 x 64 Dot matrix display
Operate Way	Infrared remote control
Remote Control Distance	≤10m, Straight line, barrier-free
Total Kore Wave Distortion	≤1%
Frequency Response	80Hz~16KHz +1/-3dB
SNR	>65dB
AUX Input Sensitivity	350mV Industrial Standard Terminals
MICInput Sensitivity (Unbalanced)	5mV
Working Temperature	5°C~40°C
Working Humidity	20%~80% Relative humidity, no condensation
Power Consumption	≤70W
Working Voltage	~190-240V 50-60Hz, Power adapter DC24V
Size	170 x 210 x 45 mm
Weight	1.5Kg

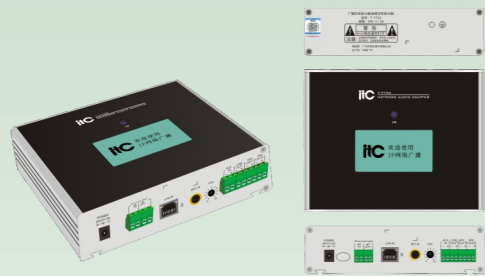
Rear Panel



Product Feature

- * Standard wall-mounted design, small size, aluminum alloy structure design, excellent manufacture technology and marvelous appearance.
- * 3.4-inch LCD screen, with infrared remote control function, easy to operate.
- * The equipment is designed with embedded computer technology and DSP audio processing technology.
- * Built-in network IP decoding module, can realize broadcast network music and call function; The network delay for capturing playback and call functions is less than 100mS.
- * One way 100V constant voltage signal backup input, it will switch to the backup channel. To avoid local signal and backup signal cross talk.
- * Built-in high-performance master / standby switch detection module, off the network power off the master/ standby switching time is less than 0.3 seconds, on-line power standby / controller switching time is less than 0.3 seconds.
- * Built-in on-demand module, Can realize real-time on-demand function in network media library.
- * Built-in 2 x 30W digital amplifier, more efficient with low heat, CD-class perfect sound quality.
- * One microphone input, one line input, suitable for local live broadcast function.
- Support connecting with Bluetooth receiver to receive Bluetooth audio for local sound broadcasting.
- * Priority function:
 - 1)The network alarm is the highest priority.
 - 2)Local MIC, AUX, 2.4G signal and etwork background music are in same priority level
- * Compatible with router, switch, bridge gateway, Modem, Internet, 2G, 3G, 4G, multicast, unicast and any other network structure.
- * Equipped with Multi-function handheld MP3 microphone, controller and microphone auto-matching connection distance≤3m, paired connection time≤3s.
- * Charging function, with charge management, support to charge when working, TYPE-C socket for charging, general mobile phone charger.
- * Built-in MP3 player function, with 8GTF memory card.
- * Built-in 2.4G wireless audio module, transmission frequency: 2.40-2.53MHz., high fidelity, good anti-interference. Support 2.4G wireless microphone for local broadcasting. 64K @ 16bit × 2, with HDCD sound quality effect, the best sound quality. Sound delay (<0.5ms). Response frequency: 80Hz-16KHz.
- * 2.4G microphone volume to support the volume adjustment function, built-in microphone reverb function. With laser pointer and PPT page turning function.
- * To achieve encrypted transmission, the receiver supports automatic sweep function, easy to avoid interference.
- * The frequency distance (power) can be set by yourself
- * With recording function
- * Effective usage distance is up to 10 meters (depending on usage environment).
- * Digital products, easy to expand, not limited by geographical location, no need to increase the management equipment in machine room, sharing a common network and easy to installation.
- * It supports remote hardware update of the terminal, no need to go to upgrade at the local site, to reduce maintenance burdens and make more simple operation.

IP terminal
 Embedded software: Digital IP network terminal
 embedded software V2.0
T - 7752



Specification

Model	T-7752
Network Interface	Standard RJ45 input
Support Protocol	TCP/IP、UDP
Audio Format	MP3
Sampling Rate	8kHz~48kHz
Transmission Rate	100Mbps
Audio Mode	16 bits CD sound quality
Display Screen Size	3.4inch
Display Screen Type	128 x 64Dot matrix display
Operate Way	Infrared remote control
Remote Control Distance	≤10m, Straight line, barrier-free
Output Power	2×30W (MAX)
THD	≤1%
Frequency Response	80Hz~16kHz +1/-3dB
SNR	>65dB
AUX Input Sensitivity	350mV Industrial Standard Terminals
MIC Input Sensitivity (Unbalanced)	5mV
Working Temperature	DC30V 3A (dry node)
Working Humidity	5°C~40°C
Power Consumption	20%~80%Relative humidity, no condensation
Working Voltage	~190-240V 50-60Hz, Power adapter DC 24V
Size	≤70W
Weight	170×134×45mm
Frequency Response	1kg

Description

It is widely used in schools, office buildings, convention centers, alarm centers, railway stations and so on. Based on network digital transmission, it can realize the functions of BGM broadcast, timing ringing task, sound source collection, one-way paging, and so on.

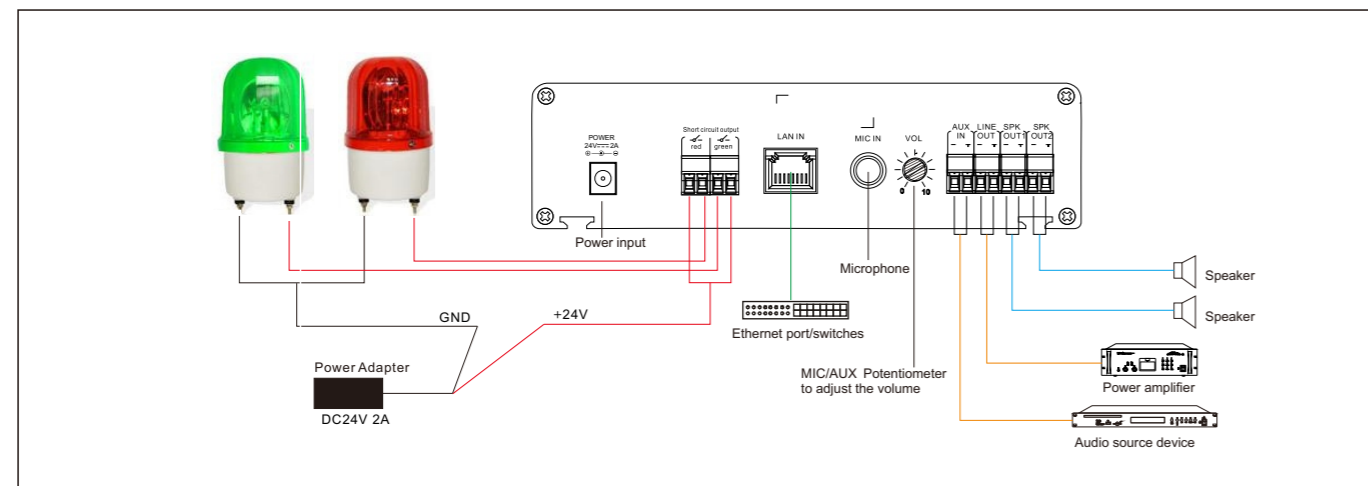
Feature

- * Wall-mounted design, with small size, aluminum alloy structure design, exquisite and beautiful.
- * With clear 3.4" LCD screen, with infrared remote control function, easy to operate.
- * The equipment adopts industrial-grade dual-core processing chip (ARM+DSP).
- * The built-in network IP decoding module can play network music and do one-way paging in real time. The network delay time of acquisition, playback and one-way call function in the system is less than 100 ms.
- * Built-in broadcasting on-demand acquisition module, can realize real-time broadcasting on-demand function in network media library.
- * Built-in 2 x 30W digital amplifier, less heating , more efficient, CD-class sound quality.
- * With 1-channel mic input interface and 1-channel line input interface, suitable for local broadcasting.
- * Support to expand with 2.4G wireless audio module and realize 2.4G wireless microphone for local broadcasting;
- * Expandable connection with Bluetooth receiver to receive Bluetooth audio for local broadcasting
- * Priority function:
 1)The network alarm has the highest priority.
 2)Local MIC and AUX are of the same level and have priority over network background music.
- * Compatible with router, switch, bridge gateway, Modem, Internet, 2G, 3G, 4G and any other network structure.
- * Support remotely upgrade to hardware on the terminal, no need to go to upgrade at the local site, to reduce maintenance work.
- * Two short-circuit outputs (red, green). The short-circuit output port of the device can provide a short-circuit switching signal. The short-circuit signal is controlled by the lighting mode of the IP software.
- * Customers can purchase additional "external control accessories" lighting prompt components, or they can prepare their own corresponding components according to the recommended solution.

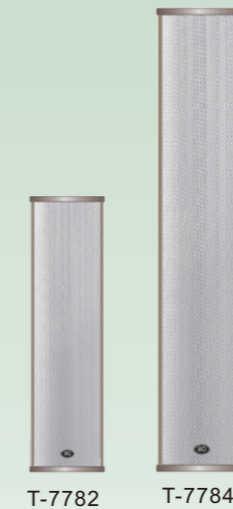
External control accessories

Name	Specification	Quantity
Power adapter	GM50-240200-F-leakage current 0.07mA (without plug-core to wire end 350mm-middle)	1
Other electronics	Police light-S60L-DC24V-R	1
Other electronics	Police light-S60L-DC24V-G	1
Iron lining	MM-01496-V0.1 (fine sand black RAL9004)	2

Rear Panel



IP Network Column Speaker
T-7882
T-7884



Features

- * Professional integrated structural design, good box sealing performance, fast-conducting all-copper nickel-plated grounding post. Meets the requirements of outdoor harsh environment and safety requirements, and meets the certification requirements of IP54 protection level.
- * Based on Luna cloud server, the product has high security and excellent stability, and supports 7×24 hours of uninterrupted work.
- * Built-in 8GByte SSD, support server remote management, support when under limited bandwidth can download backstage or idle time automatic download function, reduce network burden, media library file can enable offline automatic play function.
- * Rich network access methods, including automatic DHCP access, smart ADSL dial-up access, and fixed IP address access.
- * Integrated 24Bit professional-grade sound card for audio-grade audio playback with a maximum audio stream of 768kpbs.
- * Built-in network digital audio decoding module, support IP / TCP, UDP, IGMP (multicast) and other communication protocols, to achieve networked transmission of 16-bit CD sound quality.
- * The terminal supports compatible standard SIP protocol docking, and can be connected to the VOIP telephone system (mainstream IP-PBX such as Asterisk) for communication.
- * Built-in one-button restore factory function to maximize system maintenance and management.
- * Built-in digital power amplifier module, fine sound quality and powerful power. According to the project requirements, 15W/30W/45W/60W different power models can be selected.
- * Supports the broadcast system to perform remote firmware upgrades on the terminal, without having to go to the terminal for local upgrade, reducing the work intensity of maintenance personnel.
- * Customizable 24V DC power supply to meet outdoor solar battery power supply needs.

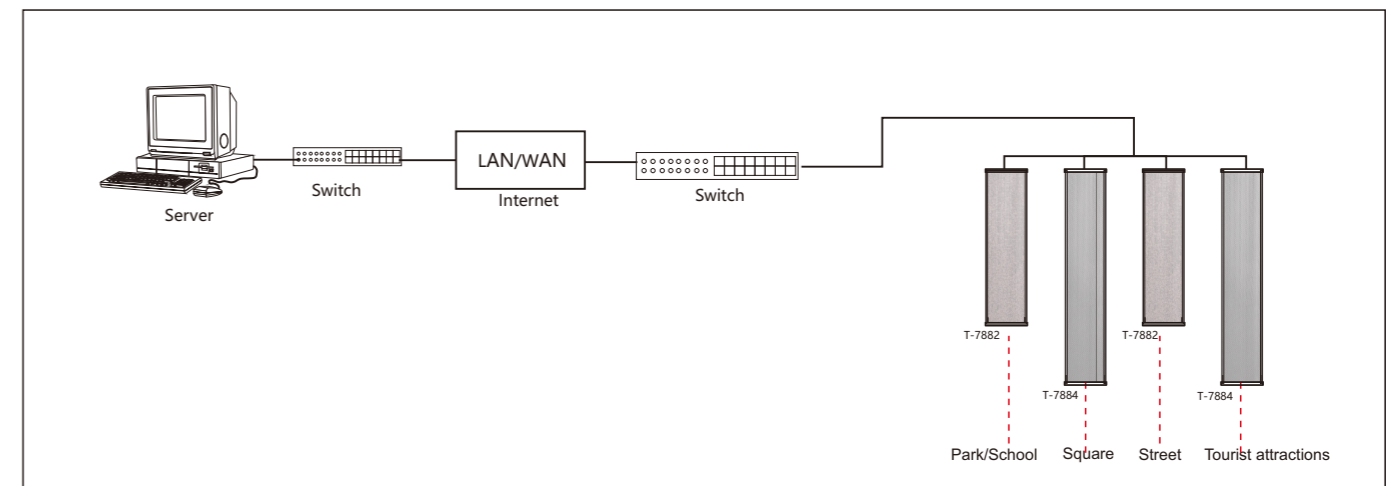
Application

Integrated design of digital network decoding module and column speaker, aluminum alloy waterproof and rust-proof shell structure; can be installed in outdoor in various broadcast management areas, suitable for program and local broadcasting in outdoor places such as parks, squares, streets, tourist attractions and so on.

Specification

Model	T-7882	T-7884
Internet Interface	Standard RJ45 input	
Transmission Speed	100Mbps	
Support Protocol	TCP/IP, UDP, IGMP (Multicast) IETF SIP	
Audio format	Mp3, WMA, WAV	
Audio Mode	16-bit CD sound quality	
Sampling Rate	8K~48KHz	
Frequency response	130Hz~16KHz +1dB/-3dB	
Rated power	30W	60W
Total harmonic distortion	≤1%	
SNR(Signal to noise ratio)	≥65dB	
Protection level	IP54	
Operating temperature	-20°C~60°C	
Working humidity	20% to 80% relative humidity, no condensation	
Operating Voltage	~220V 50Hz	
Machine power consumption	≤45W	≤95W
Speaker unit	4"×2	4"×4
Size	150×145×574mm	150×145×814mm
Weight	5.5kg	7.5kg

Rear Panel



**Outdoor Waterproof Column Speaker
T-7782H**



Features

- * Professional integrated structural design, good box sealing performance, fast conductive full copper nickel-plated grounding post. Meet the requirements of outdoor harsh environment use and safety, and meet IP54 protection level certification requirements.
- * A built-in network digital audio decoding module supports IP / TCP, UDP and other communication protocols, and realizes the network transmission of 16-bit CD audio signals.
- * Built-in digital power amplifier module, with exquisite sound quality and powerful power.
- * Supports server unified authorization operation management function, unified configuration management user and password function; support 100-level self-defined audio priority silence control function.
- * Support LAN and WAN applications, compatible with any network architecture such as router, switch, bridge gateway, Modem, Internet, 2G, 3G, 4G, etc.
- * Digital products, easy to expand capacity, not restricted by geographical location, no need to increase equipment room management equipment, adopt the design concept of common network free line construction, easy installation.
- * Support broadcast system to upgrade the terminal's remote firmware without the need to upgrade locally to the terminal, reducing the work intensity of maintenance staff.

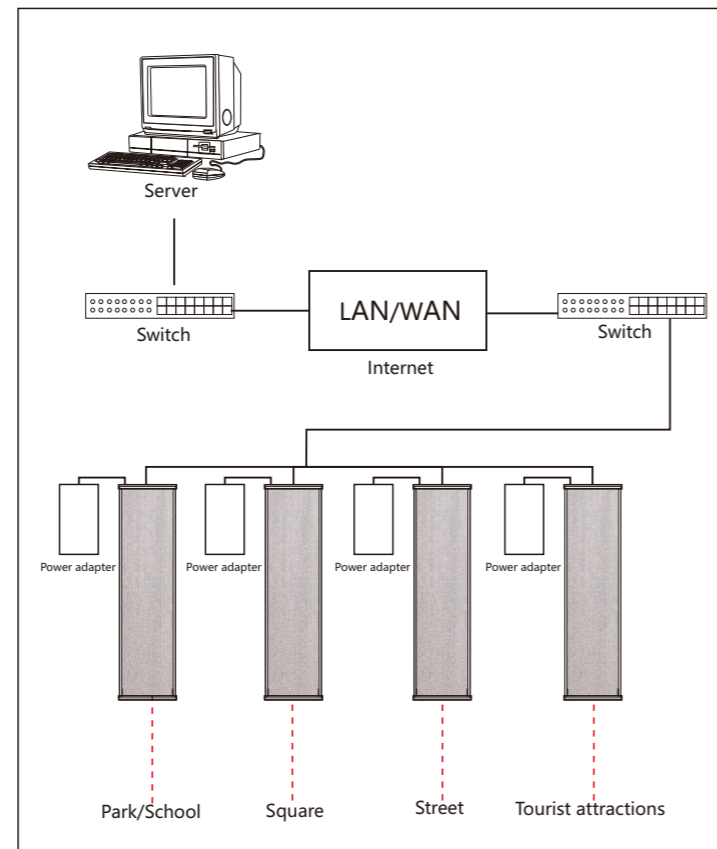
Specification

Model	T-7782H
Network Interface	Standard RJ45 input
Supporting Agreement	TCP/IP, UDP
Audio Format	MP3
Sampling Rate	8kHz~48kHz
Transmission Rate	100Mbps
Audio Mode	16-bit CD sound quality
Total Harmonic Distortion	≤1%
Frequency Response	130Hz~16kHz +1dB/-3dB
Signal to Noise Ratio	≥68dB
IP Level	IP54
Operating Temperature	-20°C~60°C
Environment Humidity	20%~80%(relative humidity, no condensation)
Power Supply	~220V power adapter to DC24V/3A output
Rated Power	25W
Power Consumption	≤30W
Speaker Unit	4×4
Dimension	83×88×294mm
Weight	1.45kg

Description

Integrated design of digital network decoding module and column speaker, aluminum alloy waterproof and rust-proof shell structure; can be installed in outdoor pillars in various broadcast management areas, suitable for program broadcasting and local broadcasting in outdoor places such as parks, squares, streets, tourist attractions and so on.

Rear Panel



**IP Network Active Column Speaker
T-7784H**



Features

- * Professional integrated structure design, good cabinet sealing performance, fast-conducting all-copper nickel-plated grounding post; in line with the use and safety specifications in harsh outdoor environments, and the certification standard of IP54 protection class.
- * Built-in one network digital audio decoding module, support IP/TCP, UDP and other communication protocols, realize the network transmission of 16-bit CD-quality audio signals.
- * Built-in digital amplifier module, delicate sound quality and strong power.
- * Support unified server authorization to operate management functions, unified configuration to manage user and password functions; support 100-level custom audio priority mute control function.
- * Support LAN and WAN applications, compatible with any network architecture such as routers, switches, bridge gateways, Modem, Internet, 2G, 3G, 4G, unicast, etc.
- * Digital product, easy to extend, no geographical restrictions, no need to add management equipment in the equipment room, no wiring construction for common network, easy installation.
- * Support remote firmware upgrade of the terminal through the broadcast system, no need for on-site upgrade of the terminal, reducing the work intensity of maintenance personnel.

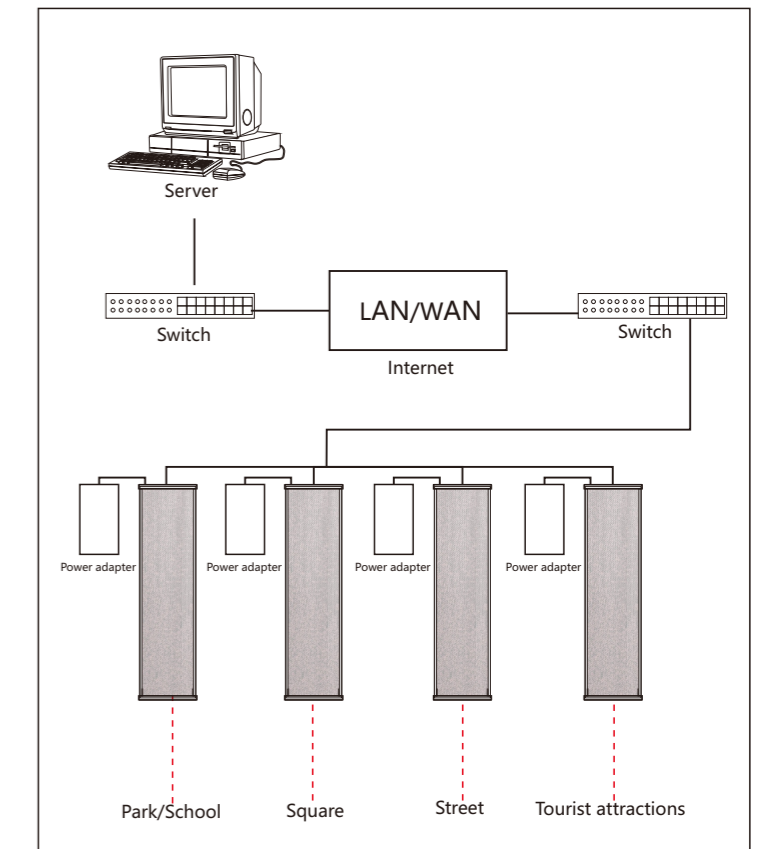
Specification

Model	T-7784H
Network interface	Standard RJ45 input
Communication protocol	TCP/IP, UDP
Audio format	MP3
Rated power	40W
Sampling rate	8kHz~48kHz
Transmission rate	100Mbps
Audio mode	16-bit CD quality
THD	≤1%
Frequency response	130Hz to 16kHz +1dB/-3dB
SNR	>68dB
Protection class	IP54
Working temperature	-35°C~60°C
Relative humidity	20%~80%, no condensation
Power voltage	~220V power adapter to DC24V/3A output
Total power consumption	≤75W
Speaker unit	3" × 4
Dimension (W×D×H)	105×98×480mm
Weight	4.5kg

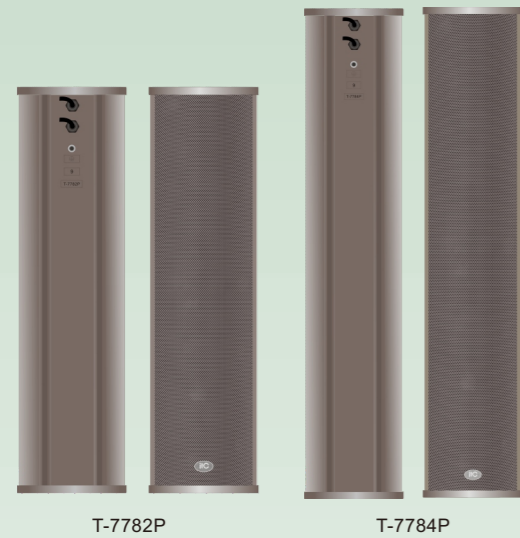
Description

It is an integrated design of the digital network decoding module and the column speaker, and the aluminum alloy waterproof and rustproof housing structure. Installed in various outdoor broadcasting management areas, it is applicable to program broadcast and local broadcast in parks, squares, streets, tourist attractions and other outdoor places.

Rear Panel



Outdoor Waterproof Column Speaker
T-7782P
T-7784P



Description

Integrated design of digital network decoding module and column speaker, aluminum alloy waterproof and rust-proof shell structure; can be installed in outdoor pillars in various broadcast management areas, suitable for program broadcasting and local broadcasting in outdoor places such as parks, squares, streets, tourist attractions and so on.

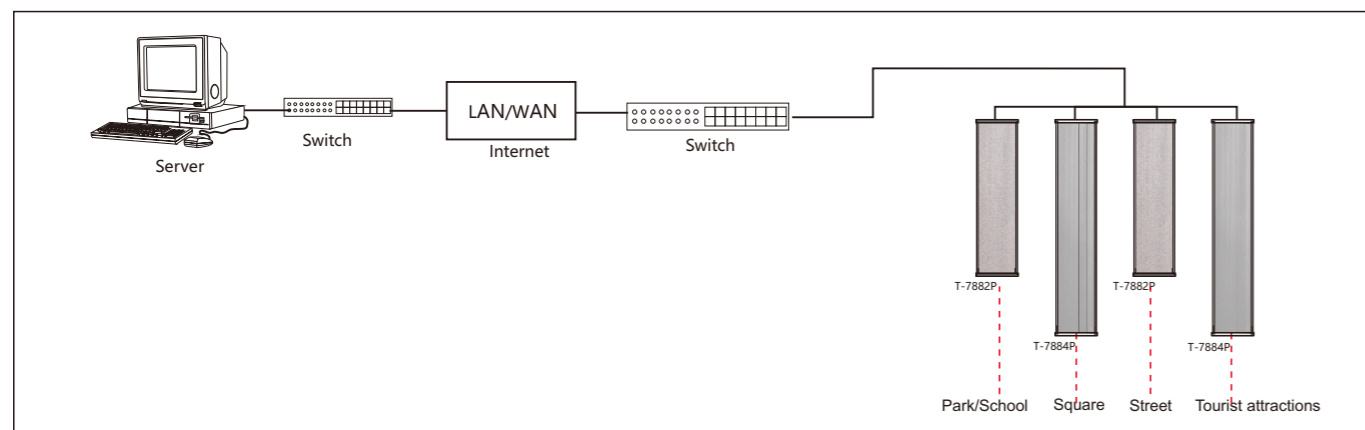
Features

- * Professional integrated structural design, good box sealing performance, fast conductive full copper nickel-plated grounding post. Meet the requirements of outdoor harsh environment use and safety, and meet IP54 protection level certification requirements.
- * Built-in network digital audio decoding module supports IP / TCP, UDP, IGMP (multicast) and other communication protocols, and realizes the network transmission of 16-bit CD audio signals.
- * Built-in digital power amplifier module, with exquisite sound quality and powerful power.
- * Support server unified authorization operation management function, unified configuration management user and password function; support 100-level self-defined audio priority silence control function.
- * Support LAN and WAN applications, compatible with any network architecture such as router, switch, bridge gateway, Modem, Internet, 2G, 3G, 4G, multicast, unicast, etc.
- * Digital products, easy to expand capacity, not restricted by geographical location, no need to increase equipment room management equipment, adopt the design concept of common network free line construction, easy installation.
- * Support automatic power-off protection when the on-site voltage is too high (254V±5%); when the voltage returns to normal, it can be automatically powered on again to increase the service life of the equipment.
- * Support ungrounded wire for on-site equipment. When the terminal is ungrounded, it will automatically play prompt tone until it is normally grounded; it can prevent outdoor thunder and lightning, and the equipment may be damaged if it is not grounded.

Specification

Model	T-7782P	T-7784P
Network Interface	Standard RJ45 input	
Support Protocol	TCP/IP, UDP	
Audio Format	MP3	
Sampling Rate	8K~48KHz	
Transmission Rate	100Mbps	
Audio Mode	16-bit CD sound quality	
Rated Power	30W	60W
Maximum Power	120W	240W
THD	≤1%	
Frequency Response	130Hz~16KHz +1dB/-3dB	
SNR	≥65dB	
Protection Level	IP54	
Operating Temperature	-20°C~60°C	
Operating Humidity	20%~80% (relative humidity, no condensation)	
Power Supply	~220V 50Hz	
Power Consumption	≤45W	≤95W
Speaker Unit	4"×2	4"×4
Dimension (H×W×D)	574×150×145mm	814×150×145mm
Weight	5.8kg	8.0kg

Rear Panel



IP Column Speaker
Embedded software: Digital IP terminal embedded softwareV2.0
T-7782PA



Features

- * Professional integrated structure design, good housing sealing performance, fast conductive all-copper nickel-plated grounding pole. It can be used in outdoor harsh environments, which meets the requirements of IP54 protection level certification.
- * Designed with embedded computer technology and DSP audio processing technology.
- * Built-in network digital audio decoding module supports IP/TCP, UDP and other communication protocols, enabling the network transmission of 16-bit CD-quality audio signals.
- * Built-in digital amplifier module, fine sound quality, strong power.
- * Support server unified authorization operation management function, unified management of user and password function; support 100-level custom audio priority mute control function.
- * Support LAN and WAN application, conform to IEEE802.3at standard. It is required to work with the switcher of IEEE802.3at standard.
- * Digital products, easy to expand, no geographic limitation, no need to add computer room management equipment, the design concept of shared network and free line construction, and easy to install.

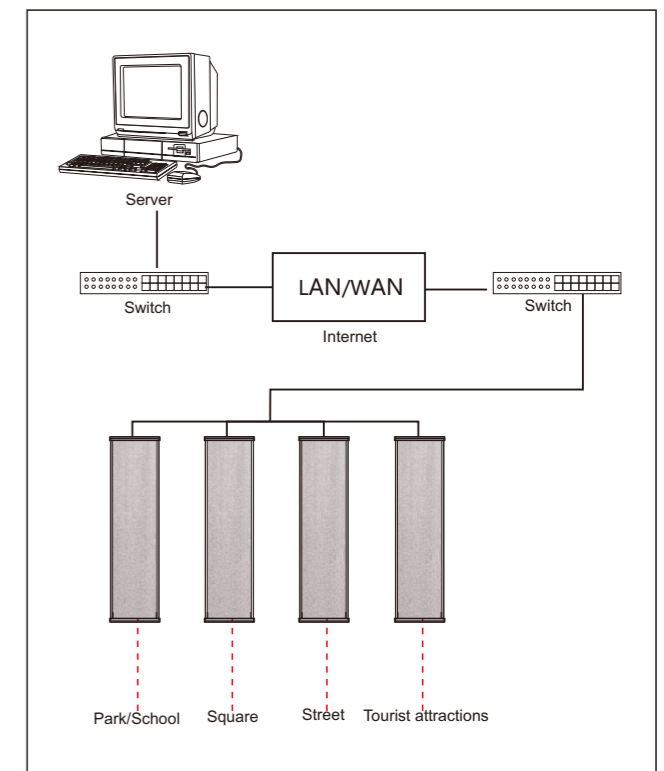
Specification

Model	T-7782PA
Network interface	Standard RJ45 input
Protocol	TCP/IP, UDP
Audio format	MP3
Sampling rate	8KHz~48KHz
Transmission rate	100Mbps
Audio mode	16-bit CD sound quality
THD	≤1%
Frequency response	130Hz~16kHz +1dB/-3dB
SNR	≥68dB
Protection level	IP54
Operating temperature	-20°C~60°C
Operating humidity	20%~80% relative humidity, no condensation
Operating Voltage	POE power supply:IEEE802.3at standard
Rated power	15W
Peak output power	25W
Power consumption	≤30W
Speaker unit	4"×2
Size(L*W*H)	150×145×472mm
Weight	5kg

Description

Integrated design of digital network decoding module and column speaker, aluminum alloy waterproof and rust-proof housing structure; outdoor column speaker installed in each broadcasting management area; used for program broadcasting and local broadcasting in halls, walkways, outdoor squares and other areas.

Rear Panel



IP Column Speaker
 Embedded software:
 Digital IP network terminal embedded software V2.0
T-7782PD



Description

The speaker integrates the digital network decoding module and column speaker design, and adopts aluminum alloy waterproof and rust-proof housing. It can be installed on outdoor poles in various broadcast management areas, and used for broadcast programs and local broadcasts in parks, squares, streets, scenic spots and other outdoor places.

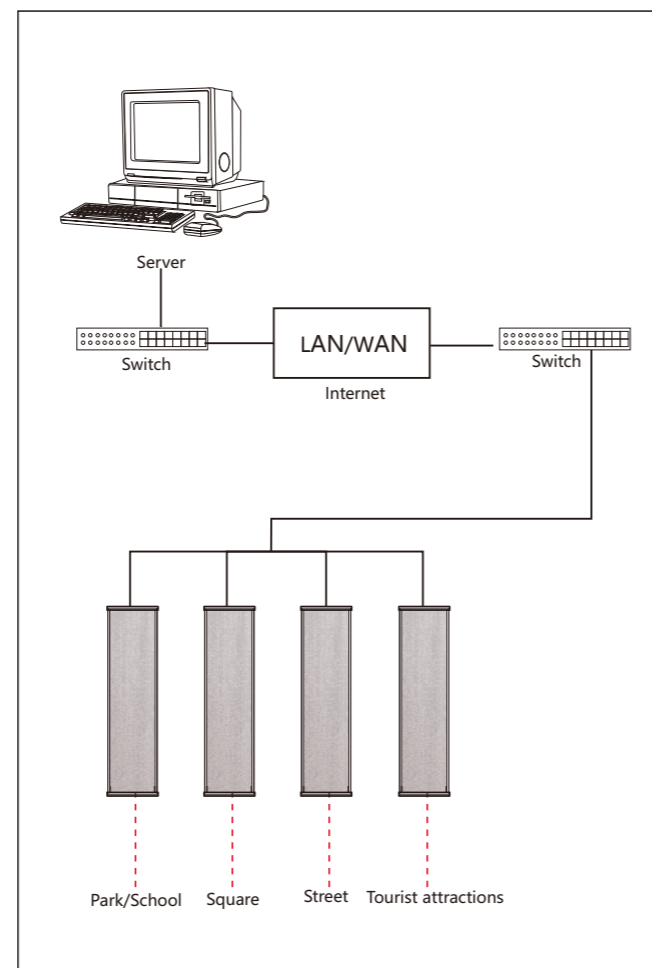
Specification

Model	T-7782PD
Network interface	Standard RJ45 input
Support protocol	TCP/IP, UDP
Audio format	MP3
Sampling rate	8K~48KHz
Transmission rate	100Mbps
Audio mode	16-bit CD quality
Rated power	30W
THD	≤1%
Frequency response	130Hz~16KHz +1dB/-3dB
SNR	≥65dB
Protection class	IP54
Working temperature	-70℃~60℃
Relative humidity	20%~80%, no condensation
Power voltage	~220V 50Hz
Max power consumption	50W
Speaker unit	4"×2
Dimension	150×145×574mm
Weight	5.9kg

Features

- * Professional integrated structure, excellent sealing design, and fast-conducting all-copper nickel-plated grounding pole. It meets the use and safety requirements of outdoor harsh environments, and the requirements of IP54 protection class certification.
- * Built-in 1 network digital audio decoding module, support IP/TCP, UDP, IGMP (multicast) and other communication protocols, realize the network transmission of 16-bit CD-quality audio signals.
- * Built-in digital amplifier module, good sound quality and strong power.
- * Support the function of unified authorization, operation and management of the server, and the function of unified configuration and management of users and passwords; support 100-level custom audio priority mute control function.
- * Support LAN and WAN applications, compatible with any network architecture such as routers, switches, bridge gateways, Modem, Internet, 2G, 3G, 4G, multicast, unicast, etc.
- * Digital product, convenient extension, not limited by geographical location, no need to add management equipment in the equipment room; use the design of common network and free wiring construction, easy to install.
- * Support automatic power-off protection when on-site overvoltage occurs(254V±5%); when the voltage returns to normal, it can be automatically powered on and online again, thus increasing the service lifespan of the equipment.
- * When the equipment is not grounded, the prompt tone will be played automatically when the terminal is idle; the prompt tone will not continue to sound when the terminal is normally grounded; it can prevent the occurrence of probabilistic equipment damage caused by lightning strikes when the equipment is not grounded in lightning weather.
- * Support broadcasting the local address through infrared remote control.
- * Support normal work when the temperature is as low as -70℃.

Rear Panel



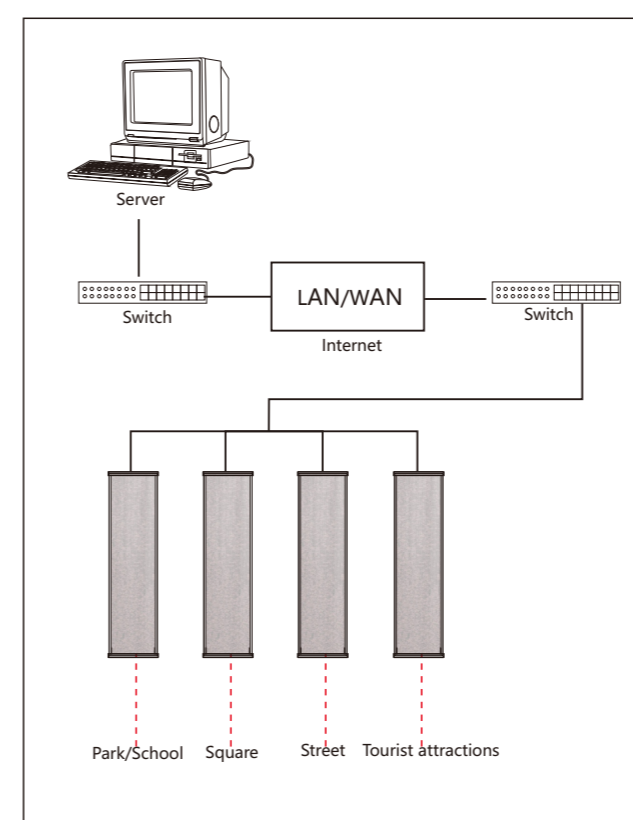
IP Network Column Speaker
 Embedded software: Digital IP network terminal embedded software V2.0
T-7782POEH



Description:

It is specially designed for POE outdoor smart light poles, which can encode network signals into digital audio, and transmit them to terminals in designated area for playback through the network.

Rear Panel



Features

- * Professional integrated structure design, good cabinet sealing performance, fast-conducting all-copper nickel-plated grounding post; in line with the use and safety specifications in harsh outdoor environments, and the certification standard of IP54 protection class.
- * Built-in one network digital audio decoding module, support IP/TCP, UDP and other communication protocols, realize the network transmission of 16-bit CD-quality audio signals.
- * Built-in 25W digital amplifier module, delicate sound quality and strong power.
- * Support unified server authorization to operate management functions, unified configuration to manage user and password functions; support 100-level custom audio priority mute control function.
- * Compliant with IEEE802.3at standard, used with IEEE802.3at standard switches.
- * Digital product, easy to extend, no geographical restrictions, no need to add management equipment in the equipment room, no wiring construction for common network, easy installation.
- * DC24V power supply can be customized to meet the power supply needs of outdoor solar batteries.

Specification

Model	T-7782POEH
Network interface	Standard RJ45 input
Communication protocol	TCP/IP, UDP
Audio format	MP3
Sampling rate	8K~48KHz
Transmission rate	100Mbps
Audio mode	16-bit CD quality
Power	25W(MAX)
THD	≤1%
Frequency response	130Hz~16KHz +1dB/-3dB
SNR	≥68dB
Protection class	IP54
Working temperature	-20℃~60℃
Relative humidity	20%~80%, no condensation
Power voltage	Standard POE power supply
Maximum power consumption	30W
Speaker unit	2" × 4
Dimension	83×88×294mm
Weight	1.45kg

IP Network Speaker
 Embedded software: digital IP network terminal embedded software V2.0
T-7707



Features

- * Professional integration wall mounted design, the speaker case designs is conform to sound resonance principle design concept, with excellent appearance.
- * Adopt embedded computer and DSP audio processing technology
- * Built-in one channel network hardware audio decoding module, it supports TCP/IP, UDP, to realize the network transfer audio signal of 16 CD class perfect sound quality.
- * Built-in 2 channel digital amplifier 2 x 20W, 1 channel to connect main speaker, the other connect assistant speaker to fulfill smooth and strong sound quality, with network volume setting.
- * With 1 AUX input, independent volume potentiometer control, support offline local. Paging function. Support mute volume preset and background music mix output preset
- * Support 2.4G wireless audio module can be expanded to realize local amplification of the 2.4G wireless microphone.
- * Support connecting with Bluetooth receiver to receive Bluetooth audio for local sound broadcasting.
- * Built-in 2 priority settings:
 1) Network voice alarm has higher priority than AUX and Network BGM
 2) AUX has higher priority than Network BGM
- * Compatible with Router, PABX, bridge gateway, modem, internet, 2G, 3G, 4G, multicast, unicast and any other network construction.
- * Digital products with easy expansion, without geographical restrictions, no need to increase management equipment on the machine room, using a common network from the design concept of line construction for easy installation.
- * It supports remote hardware update of the terminal, no need go to upgrade at the local site, to reduce maintenance burdens and make more simple operation.

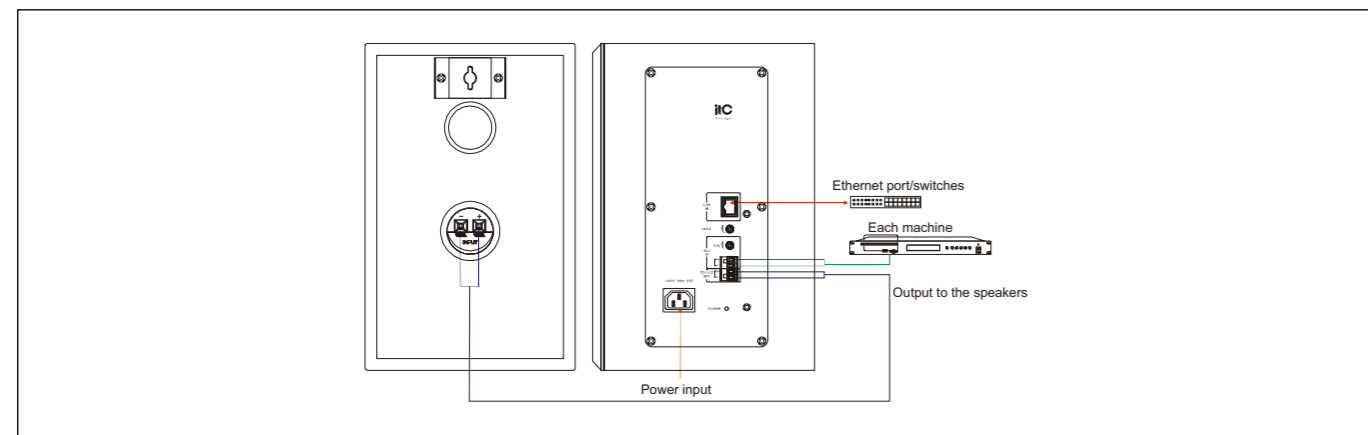
Description

It is widely applied to classroom, multi-media classroom, office, conference room, prison, hospital office, metro, and other places, to broadcast some recorded audio documents or background music, and to be used as local broadcast.

Specification

Model	T-7707
Network Interface	standard RJ45 input
Transmission Speed	100Mbps
Protocol Support	TCP/IP,UDP
Audio Format	MP3
Audio Mode	16-bit CD quality
Sampling Rate	8K~48KHz
AUX Input Sensitivity	350mV (unbalanced)
Frequency Response	80Hz~16KHz +1/-3dB
THD	≤1%
SNR	>65dB
Power Consumption	≤50W
Operating Temperature	5°C~40°C
Operating Humidity	20%~80% relative humidity, non-condensing
Operating Power Supply	~190-240V 50-60Hz
Dimension	190×180×280mm
Net Weight	3Kg

Rear Panel



Economic Wall Mount Active Speaker IP
T-7707A



Features

- * Professional integration wall mounted design, the speaker case subjects to sound resonance principle design concept, with delicated appearance.
- * Adopted embedded computer and DSP audio processing technology
- * Built 1 channel network hardware audio decoding module that supports TCP/IP, UDP protocol for network transmission 16 CD-quality stereo audio signal.
- With 1 AUX input, independent volume potentiometer control
- * Support 2.4G wireless audio module can be expanded to realize local amplification of the 2.4G wireless microphone.
- * Support connecting with Bluetooth receiver to receive Bluetooth audio for local sound broadcasting.
- * Built-in 2 x 20W stereo power amplifier module, one channel connect with main speaker and the other channel connect with assistant speaker, Sound is smooth, power is strong, support network volume adjustment.
- * Support routers, switches, bridges, gateways, Modem, Internet, 2G, 3G, 4G, multicast, unicast and other network structure.
- * Digital products, easy to expand, without geographical restrictions, no additional room management equipment, adopts network free line construction design, which is much convenient to install.
- * It supports remote hardware upgrade of the terminal, no need go to upgrade at the local site, to reduce maintenance burdens and make more simple operation.
- * Built-in Level 2 priority function design:
 AUX is the same level as the network background music signal, mixing output.
 Network alarm signals give priority to AUX and network background music signals.

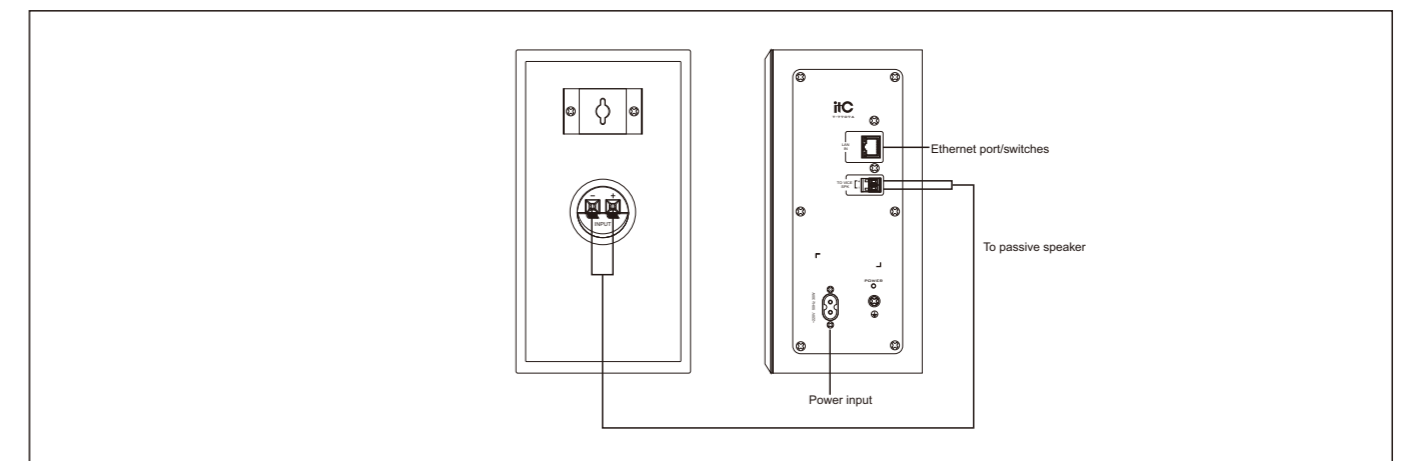
Description

It is widely applied to ordinary classrooms, office, meeting rooms, prisons, hospital departments, subway and other places that need to broadcast recorded voice files or background music.

Specification

Model	T-7707A
Network Interface	Standard RJ45 input
Transmission Speed	100Mbps
Protocol	TCP/IP, UDP
Network protocol	Support IPV6, IPV4 network protocol
Audio Format	MP3
Audio Mode	16 bit stereo CD sound quality
Sampling Rate	8KHz~48KHz
Bit Rate	8Kbps~512Kbps
Frequency Response	150Hz~16KHz(+1/-3dB)
Output Power	2×20W(MAX)
THD	≤1%
SNR	>65dB
Total Power Consumption	≤50W
Working Temperature	5°C~40°C
Working Humidity	20%~80% relative humidity, no condensation
Input Power	~190V-240V 50-60Hz. DC12V (With adapter)
Dimension	137×125×250mm
Weight	1.88kg

Rear Panel



**IP Network Speaker
T-7707AB**



Description

It is suitable for playing recorded voice files or background music programs in ordinary classrooms, multimedia classrooms, offices, conference rooms, prisons, hospital departments, subways and other places.

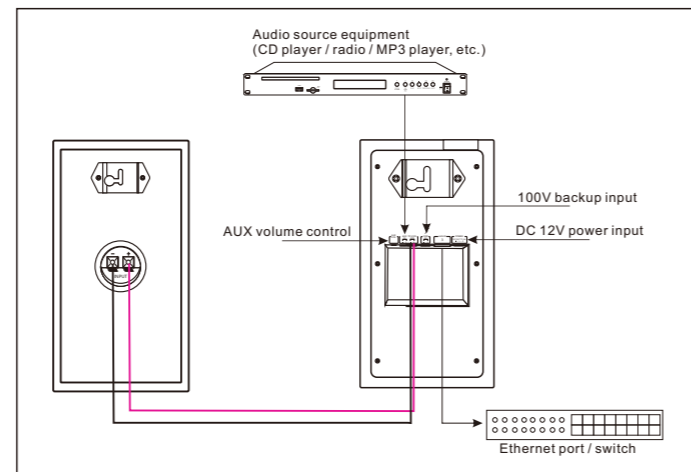
Features

- * Professional integrated wall-mounted speaker design, the whole structure is very sturdy, and the cabinet conforms to the sound resonance principle design concept;
- * It is designed with embedded computer technology and DSP audio processing technology.
- * Built-in 1-channel network hardware audio decoding module, support TCP / IP, UDP protocols, and realize the network transmission of 16-bit CD-quality audio signals;
- * Equipped with 1-channel (AUX) input interface and independent volume potentiometer control.
- * The 2.4G wireless audio module can be extended to realize local amplification of the 2.4G wireless microphone.
- * Expandable connection with Bluetooth receiver to receive Bluetooth audio for local sound reinforcement.
- * Built-in 2 * 20W (MAX) power amplifier, all the way to the main speaker, all the way to the auxiliary speaker. The sound quality is very delicate, the power is strong, and the network volume setting function is available.
- * Built-in high-performance master / slave switch module, the master / slave switchover time is less than 0.3 seconds when the network is powered off, and the master / slave switchover time is less than 0.3 seconds.
- * 1 100V constant voltage signal backup input, only switch to the backup channel when the machine has no network. Avoid crosstalk between local and backup signals.
- * Compatible with any network structure such as router, switch, bridge gateway, Modem, Internet, 2G, 3G, 4G;
- * Digital products, easy to expand, not restricted by geographical location, no need to increase equipment room management equipment, adopt the design concept of common network free line construction, easy installation;
- * Support the broadcast system to upgrade the terminal's remote firmware without the need to upgrade locally to the terminal, reducing the workload of maintenance staff.
- * Built-in 2-level priority function design:
 - (1) AUX and network background music signal are at the same level, and the mix output.
 - (2) The network alarm signal has priority over AUX and network background music signals.

Specification

Model	T-7707AB
Network Interface	Standard RJ45 input
Transmission Rate	100Mbps
Supporting Agreement	TCP/IP, UDP
Audio Format	MP3
Audio Mode	16-bit CD sound quality
Sampling Rate	8KHz~48KHz
Auxiliary Line Input Level	350mV industry standard terminal
Frequency Response	150Hz~16KHz(+1/-3dB)
Output Power	2×20W (MAX)
Harmonic Distortion	≤1%
Signal to Noise Ratio	>65dB
Power Consumption	≤50W
100V Constant Voltage	Have
Input Backup	
Operating Temperature	5°C~40°C
Environment Humidity	20%~80%(relative humidity, no condensation)
Power Supply	~190-240V 50-60Hz(power adapter); DC12V
Dimension	137×125×250mm
Weight	1.88Kg

Rear Panel



**IP Network Speaker
Embedded software: digital IP network terminal embedded software V2.0
T-7707AS**



Description

Adopt integrated design of digital network decoding module and speakers, install in various indoor broadcasting management areas. It is suitable for playing recorded voice files or background music programs in ordinary classrooms, multimedia classrooms, offices, prisons, hospital departments, subways and other places.

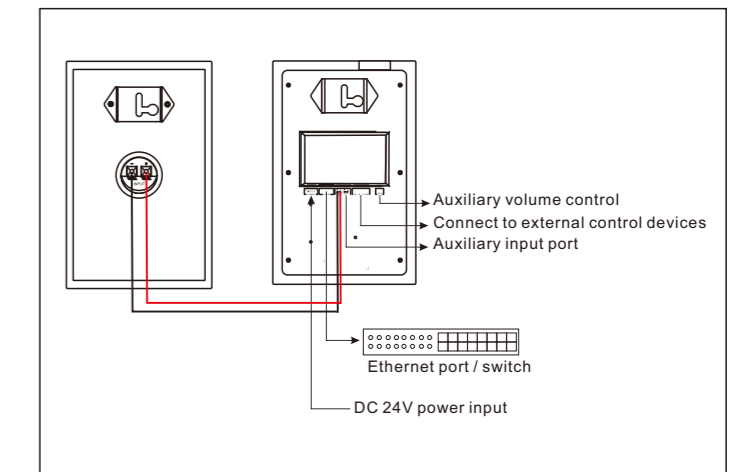
Features

- * Professional integrated wall-mounted speaker design, the whole structure is very sturdy, and the cabinet conforms to the sound resonance principle design concept;
- * It is designed with embedded computer technology and DSP audio processing technology.
- * Built-in 1-channel network hardware audio decoding module, support TCP / IP, UDP protocols, and realize the network transmission of 16-bit CD-quality audio signals;
- * Equipped with 1-channel (AUX) input interface and independent volume potentiometer control.
- * Built-in 2 * 20W (MAX) power amplifier, one channel to the main speaker, the other channel to the auxiliary speaker. The sound quality is very delicate, the power is strong, and the network volume setting function is available.
- * Compatible with any network structure such as router, switch, bridge gateway, Modem, Internet, 2G, 3G, 4G;
- * Digital products, easy to expand, not restricted by geographical location, no need to increase equipment room management equipment, adopt the design concept of common network free line construction, easy installation;
- * Support the PA system to upgrade the terminal's remote firmware without the need to upgrade locally to the terminal, reducing the workload of maintenance staff.
- * Built-in 2-level priority function design:
 - (1) AUX and network background music signal are at the same level, and are mixed and output.
 - (2) The network alarm signal has priority over AUX and network background music signals.
- * With the function of infrared broadcast of local IP address.
- * With 485 interface, support to control the volume and priority relationship through the control panel, and check the current status of network tasks performed by the terminal.

Specification

Model	T-7707AS
Output power	2x20W(MAX)
Network interface	Standard RJ45 input
Supporting protocol	TCP/IP, UDP
Audio format	MP3
Sampling rate	8K~48KHz
Transmission rate	100Mbps
Audio mode	16-bit CD sound quality
AUX input sensitivity	350mV industry standard terminal
THD	≤1%
Frequency response	150Hz~16KHz +1dB/-3dB
SNR	≥68dB
Operating temperature	5°C~40°C
Operating humidity	20%~80% relative humidity, no condensation
Power consumption	≤50W
Power supply	~190-240V 50~60Hz(power adapter); DC24V
Dimension	250mm*160mm*125mm
Weight	1.85kg

Rear Panel



**Economic wall mount IP Network Active Speaker
(with 100V constant voltage backup function)
T-7707B**



Application

It is widely applied to ordinary classrooms, multimedia classrooms, offices, meeting rooms, prisons, hospital departments, subway and other places to play a recorded voice file or background music. It also can be used as a local PA broadcast.

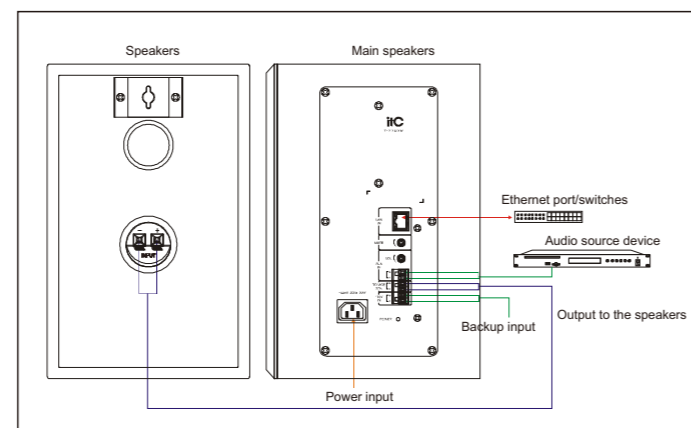
Features

- * Professional integration wall mounted design, the speaker case designs is conform to sound resonance principle design concept, with excellent appearance.
- * Adopted embedded computer and DSP audio processing technology.
- * Built-in one channel network hardware audio decoding module, it supports TCP/IP, UDP, to realize the network transmission of 16-bit CD-quality audio signals.
- * Built-in 2 channel digital amplifier 2 x 20W, 1 channel to connect main speaker, another connect sub-speaker to fulfill smooth and strong sound quality, with network volume setting.
- * Built-in high performance main/standby switching module, off the net Power failure main/ standby switch time less than 0.3 seconds, and the standby/main switching time is less than 0.3 seconds when the network is powered on.
- * With 1 AUX input, independent volume potentiometer control, support offline local paging function. Support mute volume preset and background music mix output preset.
- * Support 2.4G wireless audio module can be expanded to realize local amplification of the 2.4G wireless microphone.
- * Support connecting with Bluetooth receiver to receive Bluetooth audio for local sound broadcasting.
- * 1 channel 100V constant voltage signal backup input, only switch to the backup channel when the machine has no network.,to avoid crosstalk between local signal and backup signal.
- * Built-in 2 priority settings:
 - 1) Network voice alarm has higher priority than AUX and Network BGM
 - 2) AUX has higher priority than Network BGM
- * Compatible with any network structure such as routers, switches, bridge gateways, Modem, Internet, 2G, 3G, 4G, etc.
- * Easy extension, no geographic location restriction, no need additional managerial equipment, adopted design concept of common network-free line construction, easy to install.
- * It supports remote hardware upgrade of the terminal, no need go to upgrade at the local site, to reduce maintenance burdens and make more simple operation.

Specification

Model	T-7707B
Network Interface	standard RJ45 input
Transmission Speed	100Mbps
Protocol Support	TCP/IP,UDP
Audio Format	MP3
Audio Mode	16-bit CD quality
Sampling Rate	8K~48KHz
AUX Input Sensitivity	350mV (unbalanced)
Frequency Response	80Hz~16KHz +1/-3dB
THD	≤1%
SNR	>65dB
Power Consumption	≤50W
100V Input Backup	support
Operating Temperature	5°C~40°C
Operating Humidity	20%~80% relative humidity, non-condensing
Operating Power Supply	190-240V 50-60Hz
Size	190×180×280mm
Weight	3.5Kg

Rear Panel



**2.4G IP Network Active Speaker
(With 100V signal backup/with headset mic)
T-7707BG**



Features

- * Professional integration wall mounted design, the speaker case designs is conform to sound resonance principle design concept, with excellent appearance.
- * Adopt embedded computer and DSP audio processing technology
- * Built-in one network hardware audio decoding module, it supports TCP/IP, UDP, to realize the network transmission of 16-bit CD-quality audio signals.
- * Built-in 2 channel digital amplifier 2-20W , 1 channel to connect main speaker, the other to connect sub-speaker , with smooth and strong sound quality, and network volume setting.
- * Built in high performance main/standby switching module, Off the net Power failure Master / standby switch time less than 0.3 seconds, and the standby/main switching time is less than 0.3 seconds when the network is powered on.
- * With 1 AUX input, independent volume potentiometer control, support offline local paging function. Support mute volume preset and background music mix output preset.
- * Support connecting with Bluetooth receiver to receive Bluetooth audio for local sound broadcasting.
- * Built-in simulation audio signal backup module, it supports 100V signal input. It can switch into simulation audio signal in case of network failure or power off, to achieve dual-line redundancy.
- * Built in with 2.4G wireless audio module, Transmission frequency: 2.4000—2.53MHz, HIFI, good anti-interference ability. Support 2.4G wireless microphone for local broadcasting.It has the highest 64K @16bit×2 in the field, and has HDCD sound effect. The sound delayed (<0.5ms).Frequency response: 80—16KHz.
- * 2.4G mic supports volume adjustment function.
- * It realizes the encryption transmission and the receiver supports the automatic sweep frequency function to avoid the interference easily.
- * It will enter the pairing status automatically when turn on, after pairing successfully, it will have the prompt tone with indicator light to shift to the receiving status automatically.
- * Connection distance of automatic pairing between the controller and mic is ≤3 m, pairing connection time ≤3 s.
- * Charging function, with charge management, support to charge when working, TYPE-C socket for charging, general mobile phone charger.
- * The frequency distance (power) can be set by self.
- * Working distance up to 10 meters. (depending on usage environment)
- * Built-in 2 priority level setting:
 - 1)Network voice alarm has higher priority than AUX and Network BGM.
 - 2)AUX has higher priority than Network BGM.
- * Support local AUX and 2.4G wireless audio input when network offline, meet the local broadcast requirement.
- * Compatible with any network structure such as routers, switches, bridge gateways, Modem, Internet, 2G, 3G, 4G, etc.
- * Easy extension, no geographic location restriction, no need additional managerial equipment, adopted design concept of common network-free line construction, easy to install.
- * It supports remote hardware upgrade of the terminal, no need go to upgrade at the local site, to reduce maintenance burdens and make more simple operation.

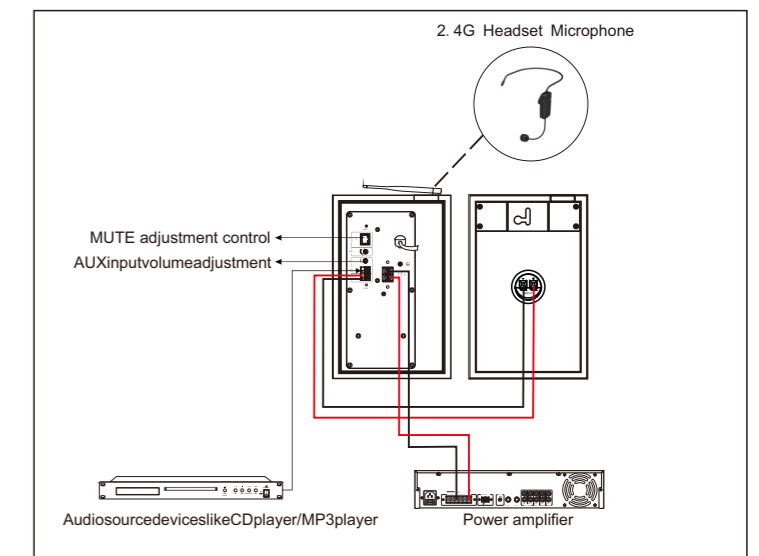
Description

It is widely been installed in classroom, multi-media classroom, office, conference room, prison, hospital office, metro, and other places, to broadcast some background music, and to be used as local broadcast.

Specification

Model	T-7707BG
Network Interface	Standard RJ45 input
Support Protocol	TCP/IP, UDP
Audio Format	MP3
sampling Frequency	8K~48KHz
Transmission Rate	100Mbps
Audio Mode	16 bit CD sound quality
Output Frequency	80Hz~16KHz +1dB/-3dB
THD	≤1%
SNR	>65dB
AUX Input Sensitivity	350mV (Unbalanced) industry standard connectors
100V Constant Voltage Input	yes
Operating Temperature	5°C~40°C
Operating Humidity	20%~80% Relative humidity, non-condensing
Power Consumption	≤50W
Input Power Supply	~190-240V 50-60Hz
Dimension	190 x 180 x 280mm
Weight	3.5Kg

Rear Panel



**2.4G IP network active speakers
(With 100V signal backup/with handheld mic)
T-7707BM**



Features

- * Professional integration wall mounted design, the speaker case designs is conform to sound resonance principle design concept, with excellent appearance.
- * Adopt embedded computer and DSP audio processing technology
- * Built-in one network hardware audio decoding module, it supports TCP/IP, UDP, to realize the network transmission of 16-bit CD-quality audio signals.
- * Built-in 2 channel digital amplifier 2 x 20W , 1 channel to connect main speaker, the other to connect sub-speaker; with smooth and strong sound quality, and network volume setting.
- * Built in high performance main/standby switching module, Off the net Power failure mian / standby switch time less than 0.3 seconds, Through network power on Main / standby switch time less than 0.3 seconds
- * With 1 AUX input, independent volume potentiometer control, support offline local. paging function. Support mute volume preset and background music mix output preset
- * Support connecting with Bluetooth receiver to receive Bluetooth audio for local sound broadcasting.
- * Built-in 100v signal backup module, it supports 100V signal input to switch into 100V signal in case of network failure or power off, to achieve dual-line redundancy.
- * Built in with 2.4G wireless audio module, Transmission frequency: 2.4000—2.53MHz, HIFI, good anti-interference ability. Support 2.4G wireless microphone for local broadcasting. It has the highest 64K @16bitx2 in the field, and has HDCD sound effect. The sound delayed (<0.5ms).Frequency response: 80—16KHz.
- * It will enter the pairing status automatically when turn on, after pairing successfully, it will have the prompt tone with indicator light to shift to the receiving status automatically.
- * Connection distance of automatic pairing between the controller and mic is ≤3 m, pairing connection time ≤3 s.
- * It realizes the encryption transmission and the receiver supports the automatic sweep frequency function to avoid the interference .
- * 2.4G mic supports volume adjustment function. Built-in microphone reverb function. With laser pointer and PPT flip function.
- * It has the charging function with charging management, supports charging and working simultaneously, TYPE-C socket for charging, general mobile phone charger.
- * Built-in MP3 player function, 8GTF memory card. With recording function.
- * The frequency distance (power) can be set by self.
- * Working distance up to 10 meters. (depending on usage environment).
- * Built-in 2 priority level setting:
1) Network voice alarm has higher priority than AUX and Network BGM.
2) AUX has higher priority than Network BGM.
- * Support local AUX and 2.4G wireless audio input when network offline, meet the local broadcast requirement.
- * Compatible with any network structure such as routers, switches, bridge gateways, Modem, Internet, 2G, 3G, 4G, etc.
- * Digital products with easy extension, no geographic location restriction, no need additional managerial equipment, adopted design concept of common network-free line construction, easy to install.
- * It supports remote hardware upgrade of the terminal, no need go to upgrade at the local site, to reduce maintenance burdens and make more simple operation.

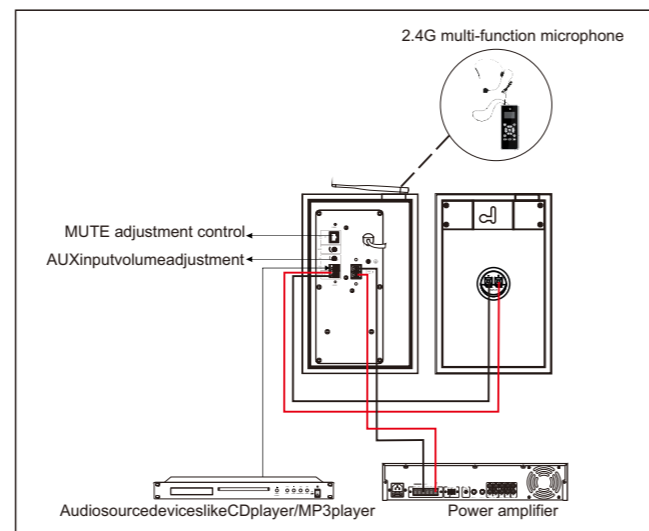
Description

It is widely applied to classroom, multi-media classroom, office, conference room, prison, hospital office, metro, and other places, to broadcast some background music, and to be used as local broadcast.

Specification

Model	T-7707BM
Network Interface	Standard RJ45 input
Support Protocol	TCP/IP, UDP
Audio Format	MP3
Sampling Rate	8K~48KHz
Transmission Speed	100Mbps
Audio Mode	16 bit CD sound quality
Output Frequency	80Hz~16KHz +1/-3dB
THD	≤1%
SNR	>65dB
AUX Input Sensitivity	350mV unbalanced industrial standard connector
100V Constant voltage	Yes
Operating Temperature	5°C~40°C
Operating Humidity	20%~80% Relative humidity, non-condensing
Power Consumption	≤50W
Input Power Supply	~190-240V 50-60Hz
Size	180x190x280mm (LxDxH)
Weight	3.5Kg

Rear Panel



**IP network speaker
Embedded software: Digital IP network terminal embedded software V2.0
T-7707G**



Description

It is widely applied to classroom, multi-media classroom, office, conference room, prison, hospital office, metro, and other places, to broadcast background music, and to be used as local broadcast reinforcement.

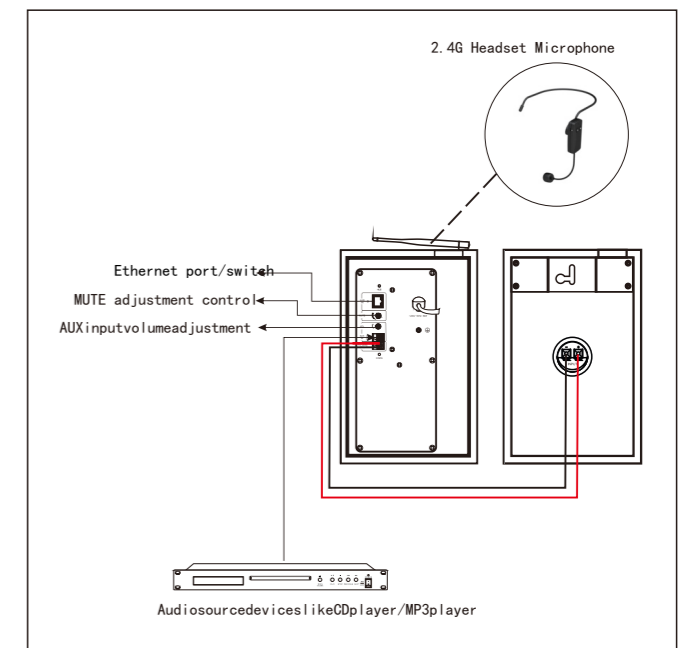
Features

- * Professional integration wall mounted design, sturdy structure, cabinet is conform to sound resonance principle design concept, with excellent appearance.
- * Adopt embedded computer and DSP audio processing technology.
- * Built-in one channel network hardware audio decoding module, it supports TCP/IP and UDP protocol to realize the network transmission of 16-bit CD-quality audio signals.
- * Built-in 2 x 20W digital amplifier, 1 channel to connect main speaker, the other connect assistant speaker to fulfill smooth and strong sound quality, with network volume setting.
- * With 1 AUX input, independent volume potentiometer control, support offline local paging function. Support mute volume preset and background music preset function.
- * Support connecting with Bluetooth receiver to receive Bluetooth audio for local sound reinforcement.
- * Built-in 2.4G wireless audio module, transmission frequency: 2.40MHz-2.53MHz, high fidelity, good anti-interference, and realize 2.4G wireless microphone for local sound reinforcement. It is the industry's highest 64K @16bitx2, with HDCD sound quality effect and the best sound quality. Sound delay <0.5ms; response frequency: 80Hz-16KHz.
- * 2.4G microphone supports volume adjustment function.
- * Realize encrypted transmission, the receiver supports automatic frequency sweep function to easily avoid interference.
- * Automatically enter the pairing state when it is turned on. After the pairing is successful, there will be a prompt sound and it will automatically switch to the receiving state.
- * Automatic pairing connection distance between the controller and microphone is ≤ 3 meters, and the pairing connection time is ≤ 3 seconds.
- * Charging function, with charging management, support working while charging, TYPE-C socket and universal mobile phone charger.
- * The linking distance (power) can be set by yourself.
- * The effective use distance is less than 10 meters (related to the use environment).
- * Built-in 2 priority settings:
1) Network voice alarm has higher priority than AUX and Network BGM.
2) AUX has higher priority than Network BGM.
- * Support local AUX and 2.4G wireless signal input after disconnection to realize local sound reinforcement technology.
- * Compatible with Router, PABX, bridge gateway, Modem, Internet, 2G, 3G, 4G, and any other network construction.
- * Digital products with easy expansion, without geographical restrictions, no need to increase management equipment on the machine room, using a common network from the design concept of line construction for easy installation.
- * It supports remote hardware update of the terminal, no need to go to upgrade at the local site, to reduce maintenance burdens.

Specification

Model	T-7707G
Network Interface	Standard RJ45 input
Support Protocol	TCP/IP, UDP
Audio Format	MP3
Sampling Rate	8KHz~48KHz
Transmission Speed	100Mbps
Audio Mode	16-bit CD quality
Output Frequency	80Hz~16KHz +1/-3dB
THD	≤1%
SNR	>65dB
AUX Input Sensitivity	350mV (unbalanced) industry standard terminal block
Ambient Temperature	5°C~40°C
Ambient Humidity	20%~80% relative humidity, no condensation
Power Consumption	≤50W
Power Supply	~190V-240V 50Hz-60Hz
Dimension	180x190x280mm (LxDxH)
Weight	3.5Kg

Rear Panel



IP network speaker
 Embedded software: Digital IP network terminal embedded software V2.0
T-7707M



Features

- * Professional integration wall mounted design, sturdy structure, cabinet is conform to sound resonance principle design concept, with excellent appearance.
- * Adopt embedded computer and DSP audio processing technology
- * Built-in one channel network hardware audio decoding module, it supports TCP/IP and UDP protocol to realize the network transmission of 16-bit CD-quality audio signals.
- * Built-in 2 x 20W digital amplifier, 1 channel to connect main speaker, the other connect assistant speaker to fulfill smooth and strong sound quality, with network volume setting.
- * With 1 AUX input, independent volume potentiometer control, support offline local paging function. Support mute volume preset and background music preset function.
- * Support connecting with Bluetooth receiver to receive Bluetooth audio for local sound reinforcement.
- * Built-in 2.4G wireless audio module, transmission frequency: 2.40MHz-2.53MHz, high fidelity, good anti-interference, and realize 2.4G wireless microphone for local sound reinforcement. It is the industry's highest 64K @16bit*2, with HDCD sound quality effect and the best sound quality. Sound delay <0.5ms; response frequency: 80Hz-16KHz.
- * Automatically enter the pairing state when it is turned on. After the pairing is successful, there will be a prompt sound and it will automatically switch to the receiving state.
- * Automatic pairing connection distance between the controller and microphone is ≤ 3 meters, and the pairing connection time is ≤ 3 seconds.
- * Realize encrypted transmission, the receiver supports automatic frequency sweep function to easily avoid interference.
- * 2.4G microphone supports volume adjustment function. Built-in microphone reverb function. With laser pointer and PPT page turning function.
- * Charging function, with charging management, support working while charging, TYPE-C socket and universal mobile phone charger.
- * Built-in MP3 player function, with 8GTF memory card, with recording function.
- * The linking distance (power) can be set by yourself.
- * The effective use distance is less than 10 meters (related to the use environment).
- * Built-in 2 priority settings:
 1) Network voice alarm has higher priority than AUX and Network BGM.
 2) AUX has higher priority than Network BGM.
- * Support local AUX and 2.4G wireless signal input after disconnection to realize local sound reinforcement technology.
- * Compatible with Router, PABX, bridge gateway, Modem, Internet, 2G, 3G, 4G, and any other network construction.
- * Digital products with easy expansion, without geographical restrictions, no need to increase management equipment on the machine room, using a common network from the design concept of line construction for easy installation.
- * It supports remote hardware update of the terminal, no need to go to upgrade at the local site, to reduce maintenance burdens.

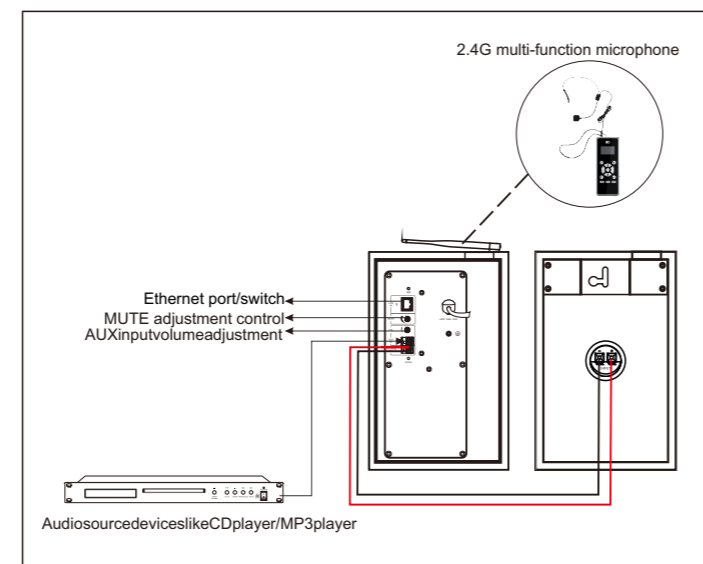
Description

It is widely applied to classroom, multi-media classroom, office, conference room, prison, hospital office, metro, and other places, to broadcast background music, and to be used as local broadcast reinforcement.

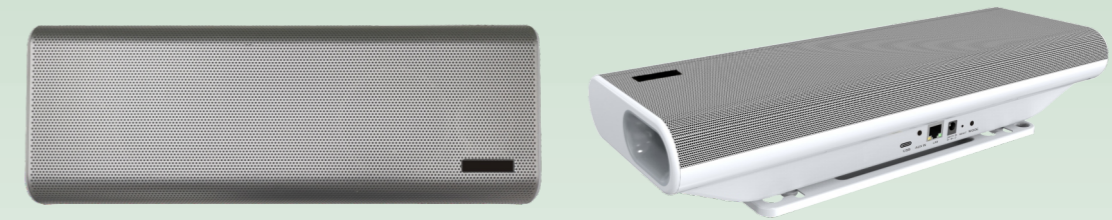
Specification

Model	T-7707M
Network Interface	Standard RJ45 input
Support Protocol	TCP/IP, UDP
Audio Format	MP3
Sampling Rate	8KHz~48KHz
Transmission Speed	100Mbps
Audio Mode	16-bit CD quality
Output Frequency	80Hz~16KHz +1/-3dB
THD	≤1%
SNR	>65dB
AUX Input Sensitivity	350mV (unbalanced) industry standard terminal block
Ambient Temperature	5°C~40°C
Ambient Humidity	20%~80% relative humidity, no condensation
Power Consumption	≤50W
Power Supply	~190V-240V 50Hz-60Hz
Dimension	180x190x280mm (LxDxH)
Weight	3.5Kg

Rear Panel



IP Network Speaker
 Embedded software: Digital IP network terminal embedded software V2.0
T-7707N2



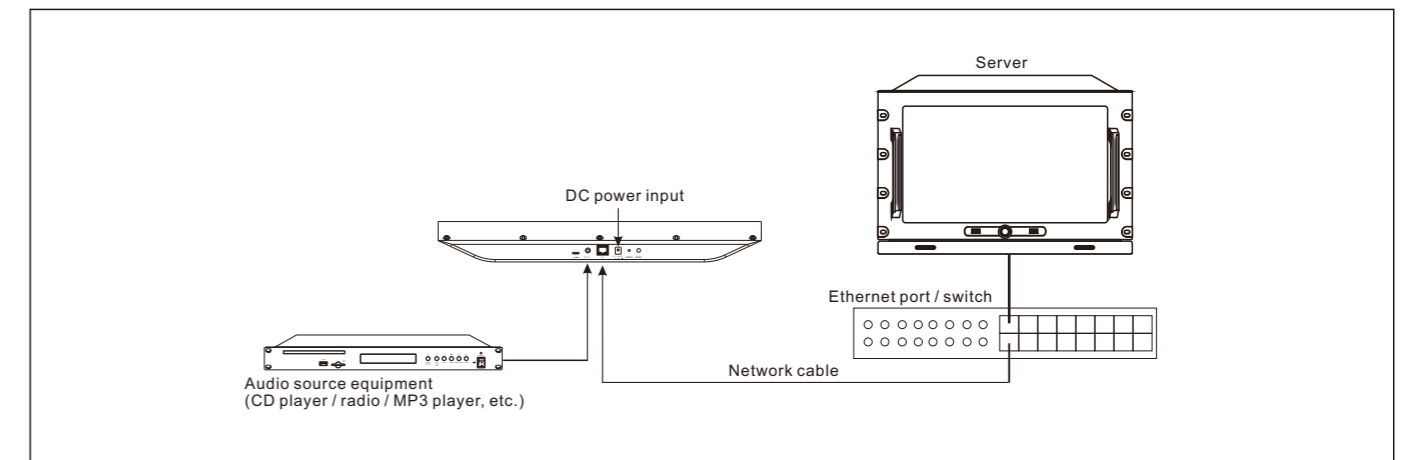
Application

It is widely applied to ordinary classrooms, multimedia classrooms, offices, meeting rooms, prisons, hospital departments, subway and other places to play a recorded voice file or background music. It also can be used as a local PA broadcast.

Specification

Model	T-7707N2
Network interface	standard RJ45 input
Transmission speed	100Mbps
Support protocol	TCP/IP, UDP
Audio format	MP3
Audio mode	16-bit CD quality
Sampling rate	8KHz~48KHz
AUX input level	350mV
Output power	2x15W(MAX)
THD	≤1%
SNR	>68dB
Frequency response	80Hz~20KHz
Power supply	~190V-240V 50Hz-60Hz(power adapter) DC24V/2A
Power consumption	≤45W
Standby power consumption	≤10W
Operating temperature	5°C~40°C
Operating humidity	20%~80% relative humidity, non-condensing
Dimension	387x142.5x70mm
Weight	1.8kg

Rear Panel



Features

- * Professional integration wall mounted design, sturdy structure, cabinet is conform to sound resonance principle design concept, with excellent appearance.
- * Adopted embedded computer and DSP audio processing technology; high-speed industrial-grade chips are used.
- * Built-in one channel network hardware audio decoding module to realize the network transmission of 16-bit CD-quality audio signals
- * With 1 line input, suitable for local sound broadcasting.
- * Built-in 2 * 15W power amplifier, the sound quality is very delicate, the power is strong, and the network volume setting function is available.
- * Built-in USB software debugging interface, convenient for software debugging, no need to disassemble
- * AUX and network background music signal are at the same level, and the mix output; AUX IN adopts a 3.5mm headphone jack design;
- * Compatible with any network structure such as routers, switches, bridge gateways, Modem, Internet, etc.
- * Digital products, easy to expand, not restricted by geographical location, no need to increase equipment room management equipment, adopt the design concept of common network free line construction, easy installation;
- * Support the broadcast system to upgrade the terminal's remote firmware without the need to upgrade locally to the terminal, reducing the workload of maintenance staff.

IP Network Speaker
 Embedded software: Digital IP network terminal embedded software V2.0
T-7707D



Description

It is widely applied to ordinary classrooms, multimedia classrooms, offices, meeting rooms, prisons, hospital departments, subway and other places to play a recorded voice file or background music. It also can be used as a local PA broadcast.

Features

- * Professional integration wall mounted design, sturdy structure, with excellent appearance.
- * Adopted embedded computer and DSP audio processing technology.;
- * Built-in one channel network hardware audio decoding module to realize the network transmission of 16-bit CD-quality audio signals
- * With 1 line (AUX) input interface and independent volume potentiometer control;
- * With infrared remote control playback local IP address function;
- * Built-in 2×20W(MAX) power amplifier, one channel is connected to the main speaker, and the other is externally connected to the auxiliary speaker, the sound quality is very delicate, the power is strong, and the network volume setting function is available.
- * *Compatible with any network structure such as routers, switches, bridge gateways, Modem, Internet,etc.
- * *Digital products, easy to expand, not restricted by geographical location, no need to increase equipment room management equipment, adopt the design concept of common network free line construction, easy installation;
- * *Support the broadcast system to upgrade the terminal's remote firmware without the need to upgrade locally to the terminal, reducing the workload of maintenance staff.
- * Built-in 2-level priority function design:
 (1)AUX and network background music signal are at the same level, and the mix output;
 (2) The network alarm signal gives priority to AUX and network background music signals.

Specification

Model	T-7707D
Network Interface	Standard RJ45
Transmission rate	100Mbps
supporting agreement	TCP/IP, UDP
audio format	MP3
audio mode	16-bit CD quality
Sampling Rate	8KHz~48KHz
AUX input level	350mV standard voltage
Output Power	2X20W (MAX)
THD	≤1%
SNR	>68dB
Frequency response	80Hz~20KHz
Power supply	~190V-240V 50Hz-60Hz (power adapter) DC24V
Power consumption	≤50W
Standby power consumption	<10W
Operating temperature	5°C~40°C
Working humidity	20%~80% relative humidity, no condensation
Dimensions (LxDxH)	147×100×290mm
Weight	Main box 1.55kg, auxiliary box 1.4kg

IP Network Speaker
 Embedded software: Digital IP network terminal embedded software V2.0
T-7707DB



Description

It is widely applied to ordinary classrooms, multimedia classrooms, offices, meeting rooms, prisons, hospital departments, subway and other places to play a recorded voice file or background music. It also can be used as a local PA broadcast.

Features

- * Professional integration wall mounted design, sturdy structure, with excellent appearance.
- * Adopted embedded computer and DSP audio processing technology.
- * Built-in one channel network hardware audio decoding module to realize the network transmission of 16-bit CD-quality audio signals
- * With 1 line (AUX) input interface and independent volume potentiometer control;
- * With infrared remote control playback local IP address function;
- * Built-in 2×20W(MAX) power amplifier, one channel is connected to the main speaker, and the other is externally connected to the auxiliary speaker, the sound quality is very delicate, the power is strong, and the network volume setting function is available.
- * Compatible with any network structure such as routers, switches, bridge gateways, Modem, Internet,etc.
- * Digital products, easy to expand, not restricted by geographical location, no need to increase equipment room management equipment, adopt the design concept of common network free line construction, easy installation;
- * Support the broadcast system to upgrade the terminal's remote firmware without the need to upgrade locally to the terminal, reducing the workload of maintenance staff.
- * Built-in 2-level priority function design:
 (1)AUX and network background music signal are at the same level, and the mix output;
 (2) The network alarm signal gives priority to AUX and network background music signals.
- * Support infrared remote control playback function with local IP address.

Specification

Model	T-7707DB
Network Interface	Standard RJ45
Transmission rate	100Mbps
supporting agreement	TCP/IP, UDP
Audio format	MP3
Audio mode	16-bit CD quality
Sampling Rate	8KHz~48KHz
AUX input level	350mV standard voltage
Output Power	2X20W(MAX)
THD	≤1%
SNR	>68dB
Frequency response	80Hz~20KHz
Power supply	~190V-240V 50Hz-60Hz (power adapter) DC24V
Power consumption	≤50W
Standby power consumption	<10W
Operating temperature	5°C~40°C
Working humidity	20%~80% relative humidity, no condensation
Dimensions (LxDxH)	147×100×290mm
Weight	Main box 1.95kg, auxiliary box 1.4kg

IP Network Speaker

Embedded software: Digital IP network terminal embedded software V2.0
T-7707DH



Description

It is widely applied to ordinary classrooms, multimedia classrooms, offices, meeting rooms, prisons, hospital departments, subway and other places to play a recorded voice file or background music. It also can be used as a local PA broadcast.

Features

- * Professional integration wall mounted design, sturdy structure, with excellent appearance.
- * Adopted embedded computer and DSP audio processing technology.
- * Built-in one channel network hardware audio decoding module to realize the network transmission of 16-bit CD-quality audio signals
- * With 1 line (AUX) input interface and independent volume potentiometer control;
- * With infrared remote control playback local IP address function;
- * Built-in 2×20W(MAX) power amplifier, one channel is connected to the main speaker, and the other is externally connected to the auxiliary speaker, the sound quality is very delicate, the power is strong, and the network volume setting function is available.
- * Compatible with any network structure such as routers, switches, bridge gateways, Modem, Internet, etc.
- * Digital products, easy to expand, not restricted by geographical location, no need to increase equipment room management equipment, adopt the design concept of common network free line construction, easy installation;
- * Support the broadcast system to upgrade the terminal's remote firmware without the need to upgrade locally to the terminal, reducing the workload of maintenance staff.
- * Built-in 2-level priority function design:
 - (1)AUX and network background music signal are at the same level, and the mix output;
 - (2) The network alarm signal gives priority to AUX and network background music signals.

Specification

Model	T-7707DH
Network Interface	Standard RJ45
Transmission rate	100Mbps
Supporting agreement	TCP/IP, UDP
Audio format	MP3
Audio mode	16-bit CD quality
Sampling Rate	8KHz~48KHz
AUX input level	350mV standard voltage
Output Power	2X20W (MAX)
THD	≤1%
SNR	>68dB
Frequency response	80Hz~20KHz
Power supply	~190V-240V 50Hz-60Hz (power adapter) DC24V
Power consumption	≤50W
Standby power consumption	<10W
Operating temperature	5°C~40°C
Working humidity	20%~80% relative humidity, no condensation
Dimensions (LxDxH)	147×100×290mm
Weight	Main box 1.55kg, auxiliary box 1.4kg

IP Network Speaker

Embedded software: Digital IP network terminal embedded software V2.0
T-7707DHB



Description

It is widely applied to ordinary classrooms, multimedia classrooms, offices, meeting rooms, prisons, hospital departments, subway and other places to play a recorded voice file or background music. It also can be used as a local PA broadcast.

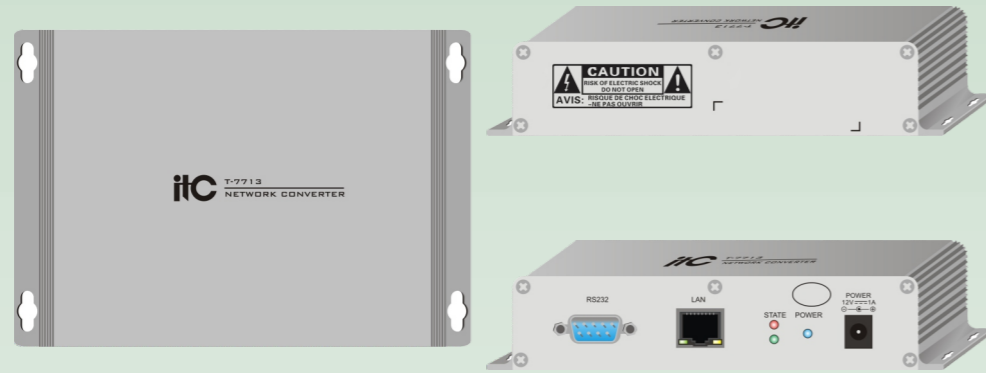
Features

- * Professional integration wall mounted design, sturdy structure, with excellent appearance.
- * Adopted embedded computer and DSP audio processing technology.;
- * Built-in one channel network hardware audio decoding module to realize the network transmission of 16-bit CD-quality audio signals
- * With 1 line (AUX) input interface and independent volume potentiometer control;
- * 100V analog backup function, lossless switching of backup channel broadcast audio;
- * Built-in 2×20W (MAX) power amplifier, one channel is connected to the main speaker, and the other is externally connected to the auxiliary speaker, the sound quality is very delicate, the power is strong, and the network volume setting function is available.
- * Compatible with any network structure such as routers, switches, bridge gateways, Modem, Internet, etc.
- * Digital products, easy to expand, not restricted by geographical location, no need to increase equipment room management equipment, adopt the design concept of common network free line construction, easy installation;
- * Support the broadcast system to upgrade the terminal's remote firmware without the need to upgrade locally to the terminal, reducing the workload of maintenance staff.
- * Built-in 2-level priority function design:
 - (1)AUX and network background music signal are at the same level, and the mix output;
 - (2) The network alarm signal gives priority to AUX and network background music signals.
- * Support infrared remote control playback function with local IP address.

Specification

Model	T-7707DHB
Network Interface	Standard RJ45
Transmission rate	100Mbps
Supporting agreement	TCP/IP, UDP
Audio format	MP3
Audio mode	16-bit CD quality
Sampling Rate	8KHz~48KHz
AUX input level	350mV standard voltage
Output Power	2X20W(MAX)
THD	≤1%
SNR	>68dB
Frequency response	80Hz~20KHz
Power supply	~190V-240V 50Hz-60Hz (power adapter) DC24V
Power consumption	≤50W
Standby power consumption	<10W
Operating temperature	5°C~40°C
Working humidity	20%~80% relative humidity, no condensation
Dimensions (LxDxH)	147×100×290mm
Weight	Main box 1.95kg, auxiliary box 1.4kg

**Data Converting Terminal
T-7713**



Description

Work with wireless remote control suite (T-7720), for conversion of RS-232 protocol and TCP/IP protocol to extend transmission distance.

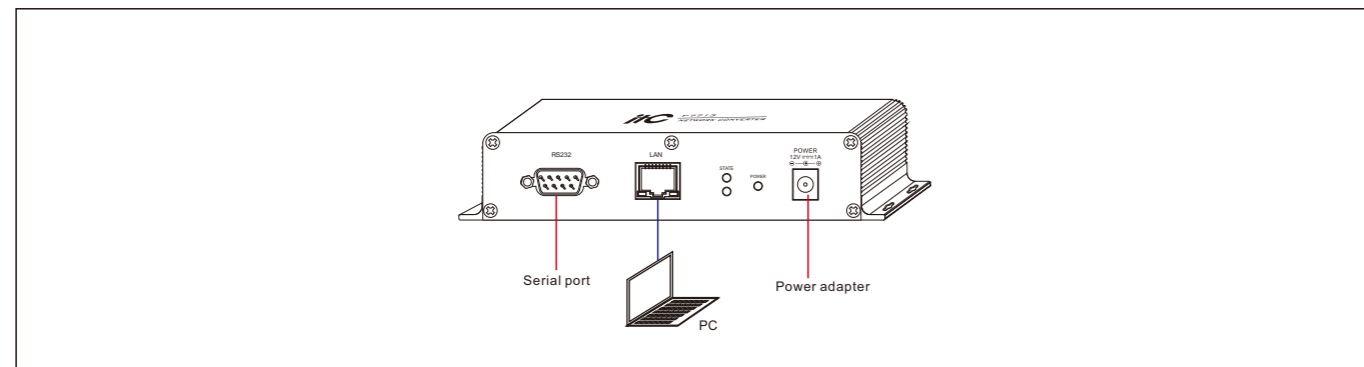
Feature

- * Standard wall mounted design, excellent appearance.
- * With one standard RJ45 input interface and one RS-232 DB9 input interface
- * Compatible with router, switch, bridges, gateway, Modem, Internet, 2G, 3G, 4G, multicast, unicast, etc.
- * Can be used in any place with Ethernet access, support cross-subnet and cross-router transmission.
- * It supports remote hardware upgrade of the terminal, no need to upgrade at the local site, to reduce maintenance burdens and make more simple operation.

Specification

Model	T-7713
Communication Interface	DB9/Standard RJ45 input
Communication Protocol	RS-232
Communication Rate	9600bps
Environmental Temperature	5°C~40°C
Environmental Humidity	20%~80%relative humidity, non-condensing
Power Consumption	≤5W
Power Supply	DC12V 1A
Dimension	156 x111 x32mm

Rear Panel



**Bottom Box (Hidden Bottom Box)
T-7718**



Bottom-Box Size (L×W×D) : 123×72×32mm
Wall Opening Dimensions (LxWxD) : 126x75x31 mm

**Bottom Box (Exerted)
T-7719**



Bottom Box Size (L×W×D) : 129x78x32 mm

**Remote Controller (IP Network Wireless Remote Controller)
T-7720**



Feature

- * Simple and elegant appearance, humanized operation way.
 - * Long remote control distance which is up to 1 km (accessibility).
 - * Can preset 12 task keys and 7 function keys.
- A. The task key can play any music at any time with any number of terminals, volume is adjustable.
- B. Function keys can implement new/switch, pause/resume, stop, previous track, next track, volume increase and volume decrease operations for the current task.
- C. Support multiple tasks at the same time, and each task can switch control.
- * Can customize the preset remote control disable time period, can set the start time and end time of each group.

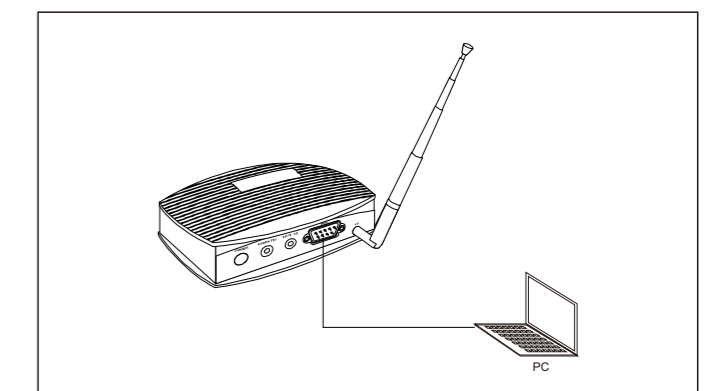
Specification

Model	T-7720
Protocol	RS-232
Baud Rate	9600bps
Antenna	Stretchable
Power Consumption	≤5W
Input Power	DC9V/0.5A
Size	120 x 102 x 30mm
Weight	0.22Kg

Product Introduction

- * Using for remote control program playback.
- * Using with data conversion of IP terminal or serial port of server, which can be used for temporary control of campus classes or games.

Rear Panel



**Collector
T-7720UH**



(Microphone with remote control)

Specification

Model	T-7720UH
System Indicator	
Internet Interface	Standard RJ45 input
Transmission Speed	100Mbps
Support Protocol	TCP/IP, UDP
Audio Format	MP3
Audio Mode	16-bit CD sound quality
Sampling Rate	8KHz~48KHz
Bit Rate	8Kbps ~ 512Kbps
Frequency Response	50Hz-18KHz (output), 80Hz-16KHz (-3dB, 0dB) (input)
Wireless Microphone	640-690MHz, 740-790MHz, 807-830MHz
Frequency Range	
Frequency Oscillation Mode	Phase-locked loop
Total Amount of Channels	600CH
Wireless Microphone application Distance	200 meters (empty accessibility plus antenna amplification kit)
Bandwidth	25MHz
Carrier Stability	±5PPm≤10KHz
False Interference Ratio	>80dB
Signal Noise Ratio	>105dB (1KHz-A)
Microphone Audio Output Level	-12dB
Mute Mode	Mute and tone lock loop
SNR(Signal to noise ratio)	≥65dB
Microphone Indicators	
Microphone Sensitivity	-105dBm(12dB S/N AD)
Microphone Distortion	THD<0.5%@1kHz
Microphone Output Impedance	1000mV, 1 way lotus output interface
Quantity	2(1 remote control function)
Receiver Indicators	
AUX Input Sensitivity	350mV(Non-balance)
MIC Output Range	1000mV, 1 way lotus output interface
AUX Output Impedance	470Ω
Display	LCD
Working Power	12V-15V, 800mA
Harmonic Distortion	THD≤1%
Working Temperature	5°C-40°C
Working Humidity	20% ~ 80% No condensation
Size(mm)	484*235*44
Net Weight	2.5Kg (Including antenna)
Gross Weight	3.9Kg

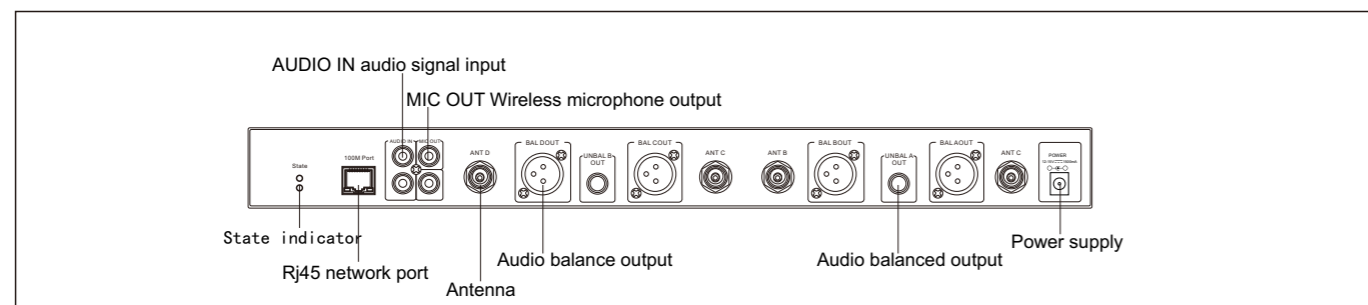
Description

UHF true diversity wireless microphone with remote control can be used for program playback. Handhold microphone is used with remote control button, receiver with data conversion. And it is ideal for the broadcast and control of various outdoor activities.

Feature

- *1U standard rack mounted design. SPCC cold rolled plate material chassis aluminum panel. Beautiful and practical.
- *Adopting UHF dual true diversity reception, and PLL digital phase-locked loop multi-channel frequency synthesis technology.
- *Provide 600 channel selections and true diversity reception to effectively avoid frequency-breaking and extending receiving distance.
- *With 8-level RF level display, 8-level audio level display, channel menu display, mute display.
- *Both balanced and unbalanced output ports are available to connect with different devices.
- *The LCD can display the channel number and operating frequency simultaneously. It is simple and easy to control through the touch button.
- *Superior anti-interference ability to effectively suppress external noise and co-channel interference.
- *With infrared frequency matching function, it can synchronize the frequency of transmitter with receiver conveniently and quickly.
- *The medium frequency is rich, the sound is really full of magnetism, and it is the essence of the vocal microphone.
- *The system platform can be configured with 20 groups of tasks, which can realize any music playback or real-time call at any time, any number of terminals, any volume.
- *Ultra-long wireless remote control distance. Up to 800 meters in the case of an open accessibility plus antenna amplification kit.
- *The main handhold microphone has function button and LED display, which can realize wireless remote control operations such as task execution confirmation, pause/resume, stop, previous song, next song, volume plus, volume reduction.
- *Built-in audio capture and encoding module. The audio acquisition delay is less than 200ms; You can preset the terminal or zone broadcast call on the system platform.
- *Compatible with any network structure such as router, switch, bridge gateway, Modem, Internet, 2G, 3G, 4G, etc.
- *Support remotely upgrade the firmware of terminals, which greatly breaks space limitation and reduces the work intensity of maintenance man.

Rear Panel



Publishing Server

Embedded software: Intelligent listening and learning management and control software V2.53
T-7701D



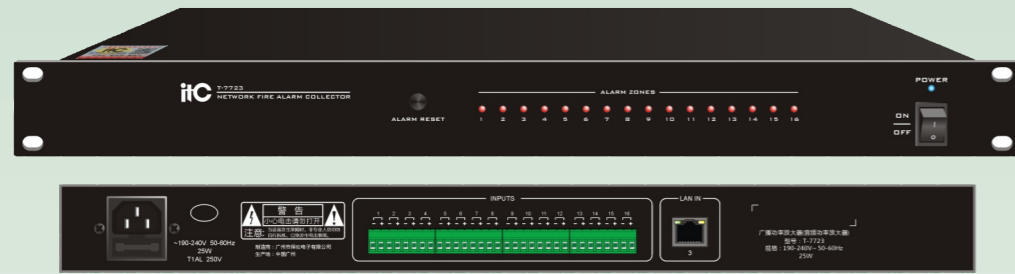
Feature

- *Support information push through mobile APP, and the recorded sound can be pushed to the broadcast system terminal for playback.
- * Support pushing text to the LED display through the mobile APP, and at the same time, it will automatically be converted into voice and pushed to the broadcast terminal device.
- * Support pushing common phrases and text information release
- * Support voice and text playback times setting, playback volume adjustment, text subtitle scrolling times, and text color setting.

Specification

Model	T-7701D
CPU	Intel Core I5 processor (quad-core) (due to continuous product upgrades, performance will continue to be optimized)
Memory	DDR4 8GB
Hard drive capacity	128GB solid state drive
Network card	1×Gigabit network card, RJ45 interface
Standard interface	4×USB (3.0/2.0), 1×HDMI, 1×VGA, 1×LAN, 1×MIC-IN port, 1×LINE-OUT port, 1×DC port, 1×COM port
Working environment	Ambient temperature: -10 ~50 ; Relative humidity: 0% ~ 95%, no condensation
Working power supply	DC 18.5V/6.5A
Power consumption	65W
Dimensions (L×W×H)	216×191×61mm
Weight	1.309kg
Color	Black

IP network Fire Alarm Interface
T-7723



Description

Using for Fire service center to acquire firm alarm circuit.

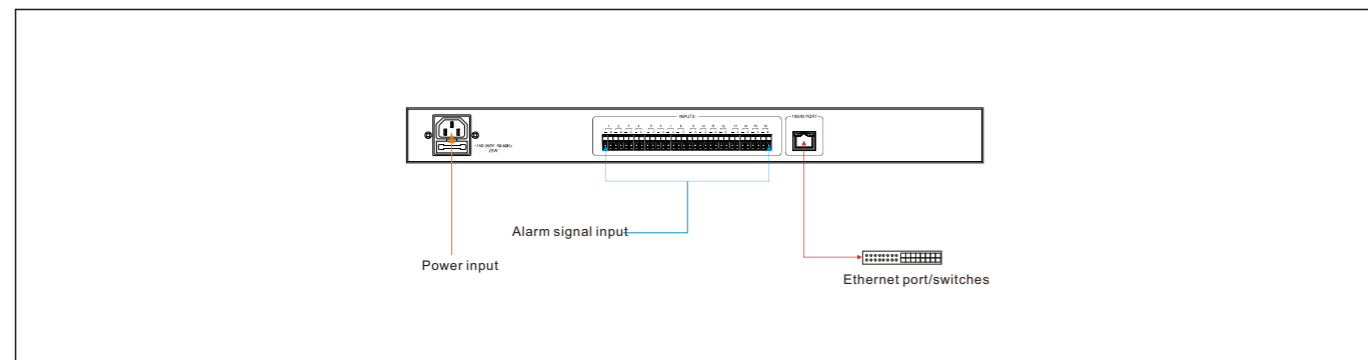
Features

- * Standard rack mount design, 1U height, high-grade brushed aluminum panels, sophisticated technology, high-end product.
- * Equipment adopts embedded industrial-grade dual-core processing chip (ARM + DSP), start time is less than 1S.
- * 16 channel fire short circuit signal input, can be unlimited extension input interface, convenient for the large system solution.
- * Panel support a key to cancel the task.
- * It supports to set alarm strategy in the background. It can configure alarm strategy for each input port of short circuit signal, connect terminals and play tracks.
- * Standard network interface, full-speed connections of up to 1000M.
- * It supports remote hardware update of the terminal, no need go to upgrade at the local site, to reduce maintenance burdens and make more simple operation.

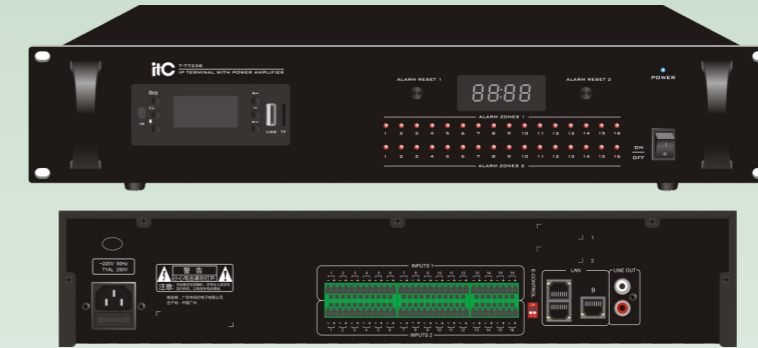
Specification

Model	T-7723
Network Interface	Standard RJ45 input
Transmission Rate	100Mbps
Support Protocol	TCP/IP, UDP
Short Circuit Interface	Industry standard wire terminals
Power Consumption	≤20W
Power Input	~190-240V 50-60Hz
Size	484mm×209mm×44mm
Weight	3Kg

Rear Panel



Signal Collector Device
T-7723B



Description

It is installed in the fire control room to receive the short-circuit trigger signal of the fire protection system and realize the fire alarm linkage emergency broadcast.

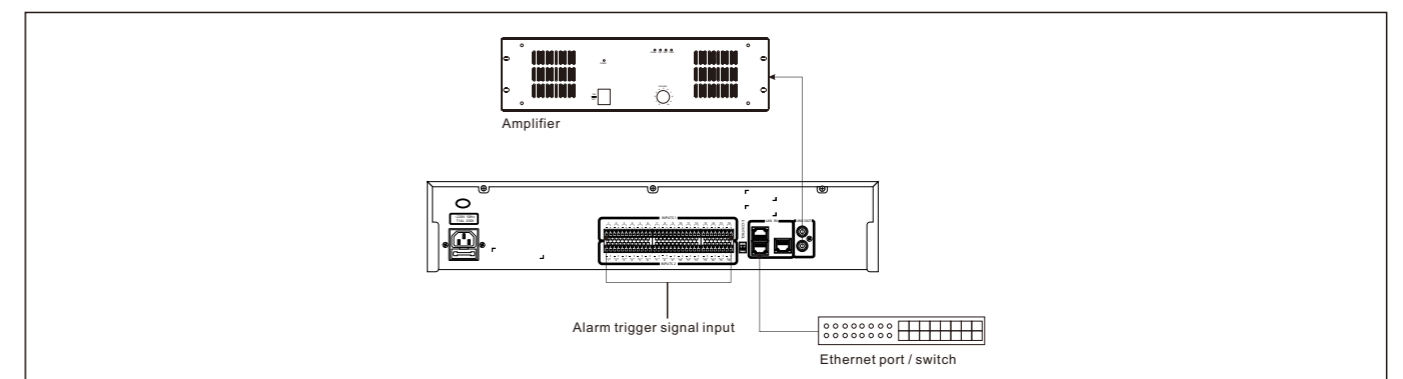
Feature

- * Standard 19-inch cabinet design, 2U height, high-grade brushed aluminum alloy panel, exquisite craftsmanship, high-end appearance.
- * A single alarm collector supports 32-channel fire-fighting short-circuit signal input interfaces, and supports multiple alarm collectors to expand the access system.
- * Supports 16 channels as the main fire protection short-circuit input, and the other 16 channels as redundant backup fire protection short-circuit input.
- * Supports one-click to cancel the alarm. In the alarm state, press the panel alarm reset button to cancel the alarm trigger state.
- * Equipped with a USB interface, integrated MP3 player module, support any channel trigger playback.
- * Supports the setting of alarm policies in the background. You can configure the alarm policy for each short-circuit signal input port, associate with the linked terminal, and play tracks.
- * Supports system background WEB to view equipment status and manage equipment information.
- * Supports the broadcast system to upgrade the terminal's remote firmware without the need to upgrade locally to the terminal, reducing the work intensity of maintenance personnel.

Specification

Model	T-7723B
Network Interface	Standard RJ45 input
Transmission Rate	100Mbps
Supporting Agreement	TCP/IP, UDP
Short-circuit Input	32 channels
Power Consumption	20W
Operating Temperature	5°C~40°C
Environment Humidity	20%~80%(relative humidity, no condensation)
Power Supply	~190V-240V 50Hz-60Hz
Dimension	484×303×88mm
Weight	4.1kg

Rear Panel



**IP Terminal
T-7730**



Description

Integrated design of digital network decoding module and aluminum box, aluminum alloy waterproof and rust-proof shell structure; can be installed in outdoor pillars and underground installation slots in various broadcast management areas, for outdoor programs in parks, squares, streets, tourist attractions and other programs Playback and local radio.

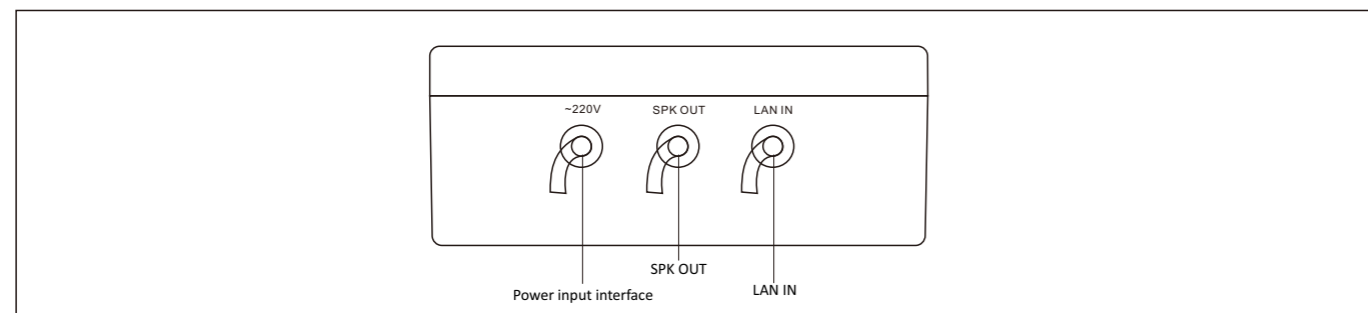
Features

- * Professional integrated structural design, aluminum alloy die-casting, small size, IP66 dust-proof and waterproof design, anti-radio frequency interference, suitable for working in -35 °C ~ 60 °C environment.
- * Built-in network IP decoding module can play network music and one-way call function in real time; the network delay time of the collection and playback and one-way call function in the system is less than 100ms.
- * Supports on-demand function, real-time audio on-demand function of network media library.
- * Built-in 30W constant resistance power amplifier, externally connected to the speaker, higher heat efficiency, CD-level perfect sound quality (optional 15W).
- * Compatible with any network structure such as router, switch, bridge gateway, Modem, Internet, 2G, 3G, 4G, etc.
- * Digital products, easy to expand capacity, not restricted by geographical location, no need to increase equipment room management equipment, adopt the design concept of common network free line construction, easy installation.
- * Supports broadcast system to upgrade the terminal's remote firmware without the need to upgrade locally to the terminal, reducing the work intensity of maintenance staff.

Specification

Model	T-7730
Network Interface	Standard RJ45 input
Supporting Agreement	TCP/IP, UDP
Audio Format	MP3
Sampling Rate	8KHz~48KHz
Transmission Rate	100Mbps
Audio Mode	16-bit CD sound quality
Rated Power	30W
Total Harmonic Distortion	≤1%
Frequency Response	130Hz~16KHz +1/-3dB
Signal to Noise Ratio	≥65dB
Operating Temperature	-30°C~60°C
Environment Humidity	20%~80%(relative humidity, no condensation)
Power Supply	~220V 50Hz
Power Consumption	≤40W
IP Level	IP66
Dimension	188×120×78mm
Weight	2.5Kg

Rear Panel



**IP Terminal
T-7730P**



Description

Integrated design of digital network decoding module and aluminum box, aluminum alloy waterproof and rust-proof shell structure; can be installed in outdoor pillars and underground installation slots in various broadcast management areas, for outdoor programs in parks, squares, streets, tourist attractions and other programs Playback and local radio.

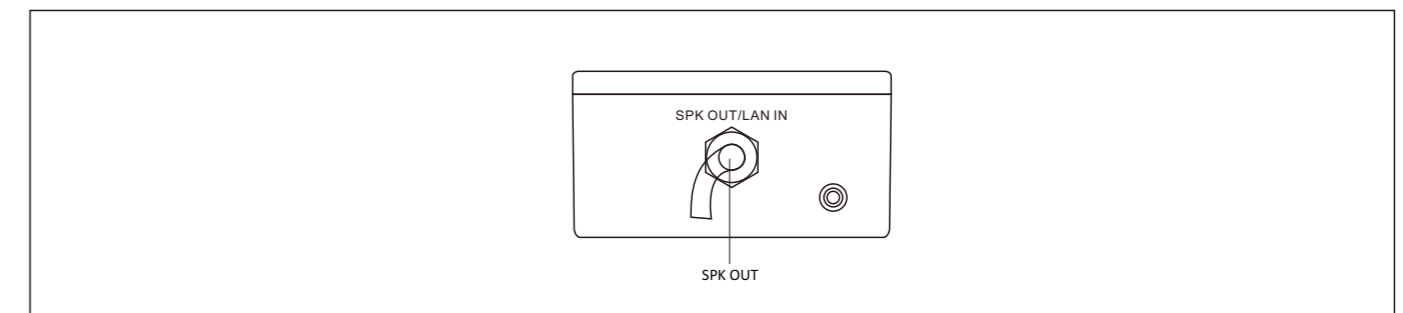
Features

- * Professional integrated structural design, aluminum alloy die-casting, small size, IP66 dust-proof and waterproof design, anti-radio frequency interference, suitable for working in -20 °C ~ 60 °C environment.
- * Built-in network IP decoding module can play network music and one-way call function in real time; the network delay time of the collection and playback and one-way call function in the system is less than 100ms.
- * Supports on-demand function, real-time audio on-demand function of network media library.
- * Built-in 30W constant resistance power amplifier, externally connected to the speaker, higher heat efficiency, CD-level perfect sound quality (optional 15W).
- * Compatible with any network structure such as router, switch, bridge gateway, Modem, Internet, 2G, 3G, 4G, etc.
- * Digital products, easy to expand capacity, not restricted by geographical location, no need to increase equipment room management equipment, adopt the design concept of common network free line construction, easy installation.
- * Supports broadcast system to upgrade the terminal's remote firmware without the need to upgrade locally to the terminal, reducing the work intensity of maintenance staff.

Specification

Model	T-7730P
Network Interface	Standard RJ45 input
Supporting Agreement	TCP/IP, UDP
Audio Format	MP3
Sampling Rate	8KHz~48KHz
Transmission Rate	100Mbps
Audio Mode	16-bit CD sound quality
Rated Power	16W
Total Harmonic Distortion	≤1%
Frequency Response	130Hz~16KHz +1/-3dB
Signal to Noise Ratio	≥68dB
Operating Temperature	-20°C~60°C
Environment Humidity	20%~80%(relative humidity, no condensation)
Power Supply	POE : IEEE802.3at Standard
Power Consumption	≤30W
IP Level	IP66
Dimension	188×120×78mm
Weight	2.5Kg

Rear Panel



**IP network audio collecting terminal
T-7770**



Description

Specially design for external analog signal collection in IP network system, encoding analog signal to digital signal to transmit and broadcast to designated terminals.

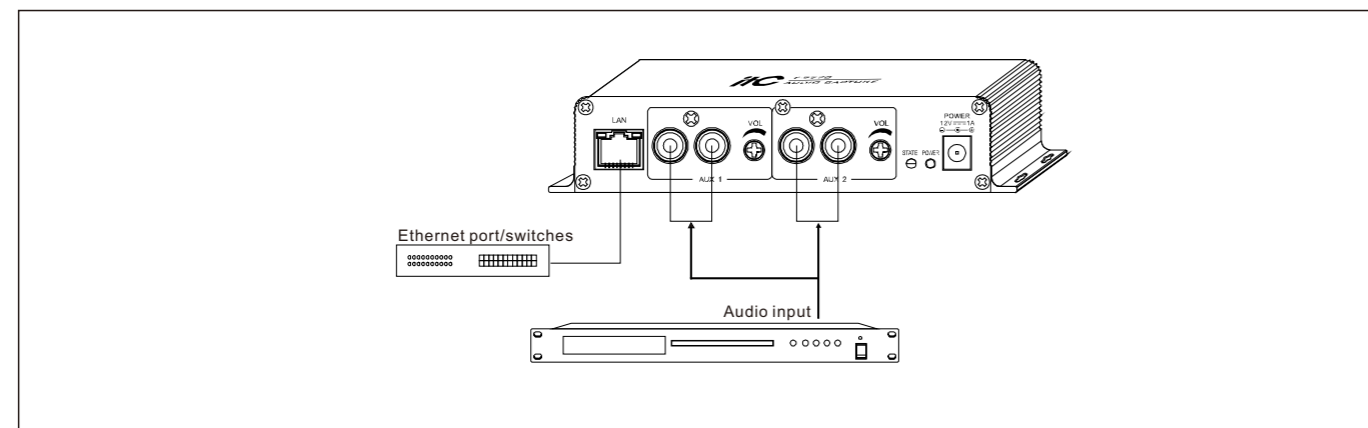
Specification

Model	T-7770
Network Interface	Standard RJ45
Support Protocol	TCP / IP, UDP
Audio Format	MP3, PCM
Sampling Rate	8kHz~48kHz
Transmission Rate	100Mbps
Audio Mode	ADPCM PCM
Input Frequency	80Hz~16kHz +1/-3dB
AUX Input Sensitivity	350mV standard Lotus input interface (unbalanced)
AUX Sound Pressure	≥10MV
Trigger Threshold	
THD	≤0.3%
SNR	≥65dB
Operating Temperature	5°C~40°C
Operating Humidity	20%~80% relative humidity, non-condensing
Power Consumption	≤10W
Power Input	DC12V/1A
Dimension	165x 156 x 33mm
Weight	0.5Kg

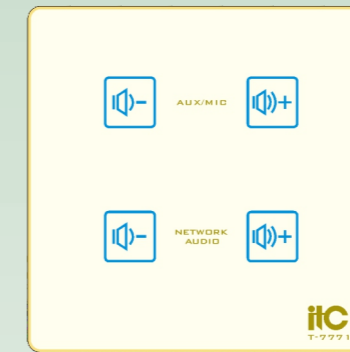
Features

- * Full aluminum alloy shell and durable structure, small and delicate appearance.
- * Adopt embedded computer and DSP signal processing technology, built-in high-speed industrial processing chip , to ensure the start-up time is less than 1 second.
- * Built-in 1 channel audio encoding module of network hardware, support TCP/IP, UDP protocol, to realize network signal transmission with 16 bit CD sound quality.
- * Built in 2 groups of RCA input terminals, with input volume adjustment, flexible matching with various devices with different sensitivity and support input audio voltage limit function.
- * Support 5 zones to trigger on or off the collection function independently. The panel is equipped with 5 zone trigger buttons and indicator lights
- * Support timing or temporary signal collection and broadcast task; the task priority levels can be set through the server.
- * Support 3 collection and broadcasting modes: " ordinary collection and broadcast ", "medium collection and broadcast " and "Hi-fi collection and broadcast ". " ordinary collection and broadcast " can access the effect of ultra-low delay network audio acquisition, "medium collection and broadcast" can access the effect of low latency and ordinary sound quality of network audio acquisition, "Hi-fi collection and broadcast" can access the effect of ultra-low distortion of the network audio acquisition.
- * Compatible with all network structures, such as router, switch, Bridge, Modem, Internet, 2G, 3G, 4G etc.
- * It supports remote hardware upgrade of the terminal, no need to upgrade at the local site, to reduce maintenance burdens and make more simple operation.
- * Support audio triggered acquisition tasks; through the acquisition configuration of the server, AUX input can automatically trigger acquisition tasks.
- * Support sound pressure to trigger the acquisition of external audio sources, intelligently identify audio, automatically establish acquisition tasks, customize the execution area, and customize the delay shutdown time.

Rear Panel



**Volume Control
T-7771**



Description

It is suitable for ordinary classrooms, multimedia classrooms, offices, conference rooms, prisons, hospital departments, subways and other places to increase external control equipment and expand the functionality of IP network terminals.

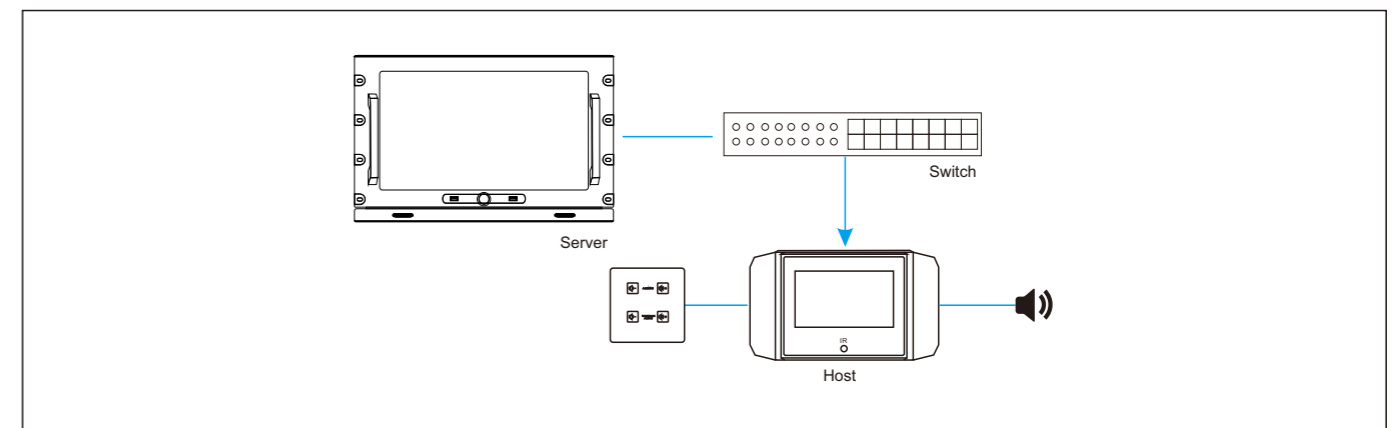
Feature

- * Professional integrated IoT type 86 box design, the whole structure is very sturdy.
- * Built-in high-performance 32-bit dual-core processor, fast processing speed, stable and so on.
- * Built-in industrial-grade terminal block and IP network terminal real-time communication interface.
- * Supports external control device functions: touch volume adjustment for external sound source input; touch volume adjustment for network tasks;
- * The external control equipment is connected by blue and white cable (24AWG), and the connection distance is ≤15 meters.

Specification

Model	T-7771
Communication Interface	Industry standard terminal blocks
Communication Distance	≤15m
Transmission Rate	34Kbps
Power Consumption	≤3W
Operating Temperature	5°C~40°C
Environment Humidity	20%~80%(relative humidity, no condensation)
Power Supply	DC 24V (provided by the controlled terminal)
Dimension	90.5×90.5×27.5mm
Weight	0.5kg

Rear Panel



**Panel
T-7772**



Description

It is suitable for ordinary classrooms, multimedia classrooms, offices, conference rooms, prisons, hospital departments, subways and other places to increase external control equipment and expand the functionality of IP network terminals.

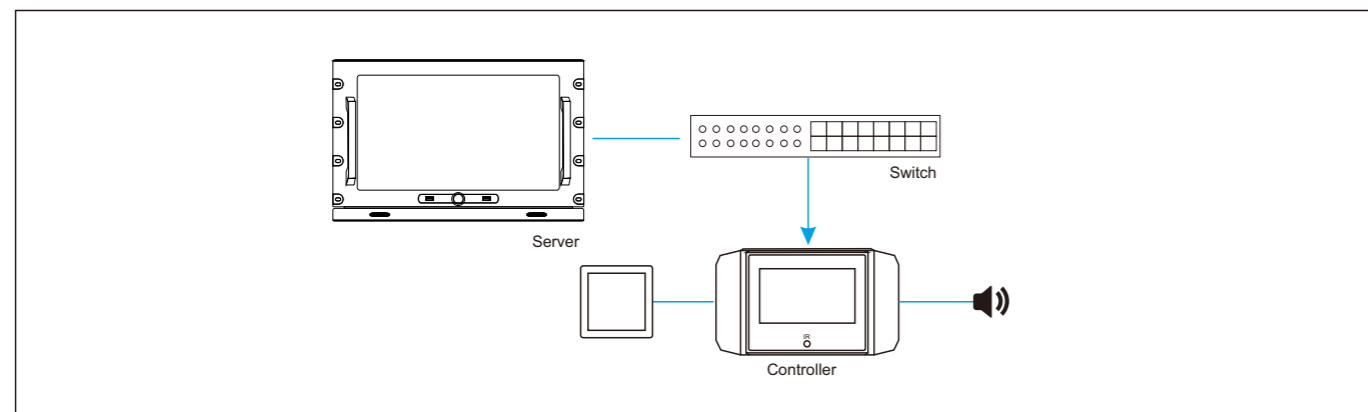
Feature

- * Professional integrated IoT type 86 box design, the whole structure is very sturdy.
- * Built-in 4-inch configuration serial port display with 480*480 resolution.
- * Built-in high-performance 32-bit dual-core processor, fast processing speed, stable and so on.
- * Built-in industrial-grade terminal block and IP network terminal real-time communication interface.
- * Support to control the volume control function of wall-mounted IP network terminal.
- * Support MP3 audio files in VOD server or local USB.
- * Password setting: after the lock screen, the login password is required to carry out the corresponding operation setting to prevent other people from operating the setting and other problems.
- * Terminal real-time task terminal: check the status of network tasks currently executed by the terminal.
- * The external control equipment is connected by blue and white cable (24AWG), and the connection distance is ≤15 meters.

Specification

Model	T-7772
Display screen	4 inch digital true color screen, capacitive touch screen
Display resolution	480*480
Interface	Industry standard terminal blocks
Power Supply	DC 24V
Operating Temperature	-20°C~+50°C
Environment Humidity	10%~90%(relative humidity, no condensation)
Weight	0.5kg

Rear Panel



**IP Network Controller
T-17700**



Description

- * The operating carrier of the IP network digital broadcast server software, the control center of the broadcast system.
- * It is installed in the main control room to manage the entire broadcast system in real time.

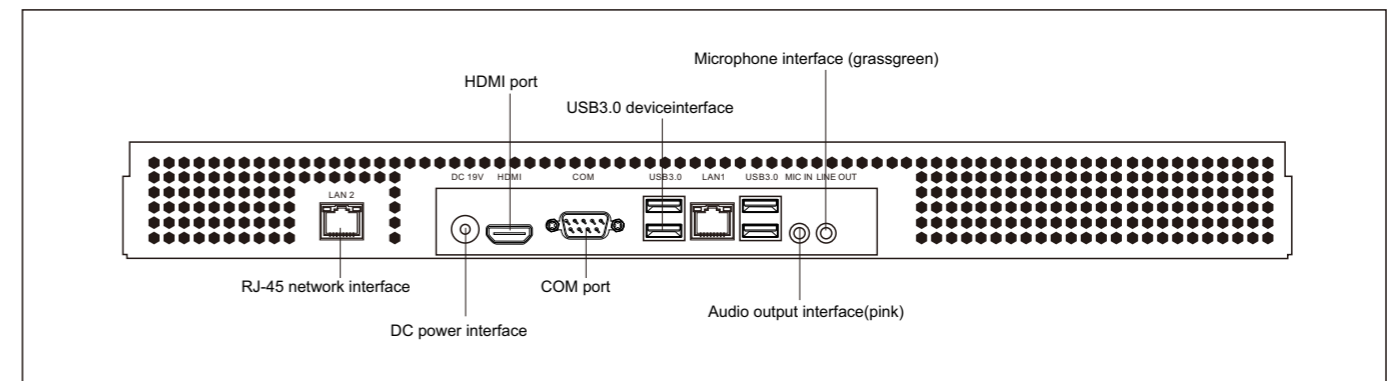
Features

- * The industrial-grade 1U cabinet has a stable structure, excellent electromagnetic interference resistance and radiation resistance, and meets EMC design standards.
- * Industrial-grade dedicated mainboard design, dual-core four-threaded ultra-low-power embedded industrial-grade processor, faster processing, more powerful performance. Can work continuously for a long time.
- * Built-in high-capacity 1TB-SATA enterprise-class interface.
- * Unified management of all audio terminals in the system, including paging microphones, intercom terminals, broadcasting terminals and fire interface equipment.
- * Program timing tasks, support timing music file playback plan, support programming multiple sets of timing plans, and support any optional execution terminal.
- * Support terminal custom setting of digital volume for music, intercom, broadcasting, fire fighting, etc.
- * The software supports the embedded development of third-party platforms to achieve integration with other system platforms (such as building visitor systems, surveillance video systems, etc.).
- * Support primary and secondary server mode application, secondary server as hosting application, support NTP (time synchronization) server with GPS to calibrate time.
- * Support the control of the broadcast system through the mobile APP.
- * Support system log recording and real-time display of server operation status graph.

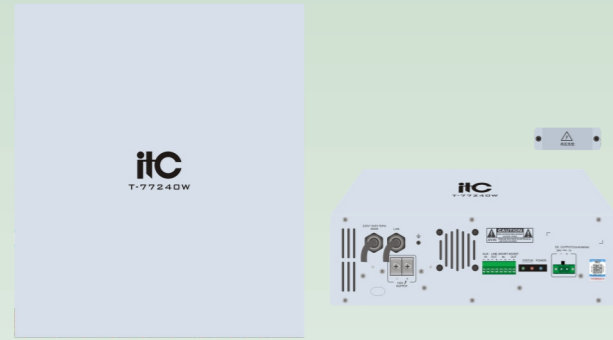
Specification

Model	T-17700
Mainboard	ASUS H310T mainboard
Hard Disk	Seagate-ST1000DM010-1TB-SATA interface
RAM	RAM Kingston-HX421S13IB/4 (the capacity will continue to increase due to continuous product upgrades)
Network Card	Dual Cards. Realtek RTL8103EL, 1000M
Network Protocol	Support IPv6, IPv4
CPU	CPU-Intel-I3 (dual core / quad thread)
System Audio Signal Sensitivity	MIC IN: 280mV
System Audio Signal SNR	LINE OUT: 85dB
System Audio Signal Standard Output Level	0dBV
Distortion	1KHz<0.5%
Input Power	DC 19V
Power Supply	150W MTBF: 100,000 hours
Ambient Temperature	0°C -40°C
Ambient Humidity	Relative humidity: 20% to 80% relative humidity, no condensation
Size	L 550 × W 440 × H 44mm
Weight	3.5Kg
Standard interface	Built-in 6 USB interfaces, 1 MIC IN interface, 1 LINE OUT interface; 1 HDMI video interface, 1 COM video interface
Software Operation Platform	windows server 2008

Rear Panel



IP Network Power Amplifier Terminal
 Digital IP network platform terminal embedded software V2.02
T-77120W/T-77240W/T-77350W/T-77500W



Description

The equipment adopts the integrated design of digital power amplifier module and metal cover, with waterproof and rustproof cover structure; install in outdoor columns of various broadcasting management areas, used for program broadcast and local broadcast in parks, squares, streets, tourist attractions and other outdoor places. Support outdoor use in extremely low temperature environments.

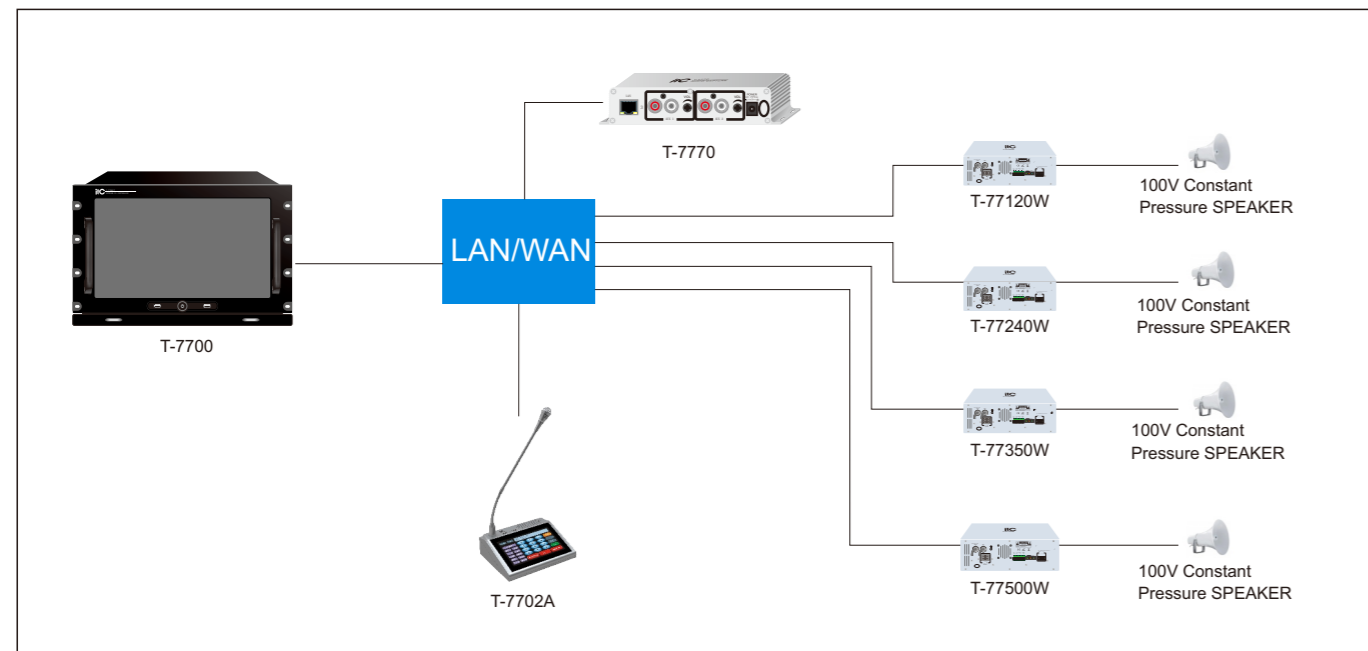
Features

- * Three-sided all-metal closed structure design, good box sealing performance, professional waterproof and rust-proof treatment, in line with the use requirements of outdoor harsh environments.
- * Built-in 1-channel IP network audio decoding module, support IP/TCP, UDP and other communication protocols, realize the network transmission of 16-bit CD-quality audio signals.
- * Built-in 1 channel D class 120W digital power amplifier module, 1 channel constant voltage 100V output interface.
- * With 1 channel AUX IN input and LINE OUT output interface for external auxiliary audio source and extended power amplifier amplification.
- * With 1 short-circuit input and 1 short-circuit output interface, connect to the alarm short-circuit input and external sound and light alarm.
- * Built-in semiconductor air-conditioning system, achieve automatic constant temperature adjustment through the built-in temperature monitoring module, so that the equipment can be used in extremely low temperature environment, the lowest can reach -70 °C.
- * Support sever unified authorization operation and unified configuration management of user and password; support 100-level custom audio priority mute control function.
- * Digital products, easy to expand, not limited by geographical location, no need to increase equipment room management equipment, and easy to install.

Specification

Model	T-77120W	T-77240W	T-77350W	T-77500W
Network interface	Standard JR45 input			
Support protocol	TCP/IP, UDP			
Audio format	MP3			
Sampling Rate	8KHz~48KHz			
Transmission rate	100Mbps			
Audio mode	16-bit CD sound quality			
Rated power	120W	240W	350W	500W
THD	≤1%			
Frequency response	80Hz~16KHz +1dB/-3dB			
SNR	≥68dB			
Working temperature	-70°C~60°C			
Working humidity	20%~80% relative humidity, no condensation			
Working voltage	220V 50Hz			
Power consumption	150W	300W	400W	600W
Size	409x260x85mm			
Weight	5kg			

Rear Panel



POE Ceiling Speaker
T-S708



Product Introduction

- * Professional integrated Ceiling-type network audio decoding speaker, built-in digital constant resistance power amplifier and high fidelity loudspeaker.
- * It can installed in rooms, offices and guest rooms where music needs to be played at designated locations.

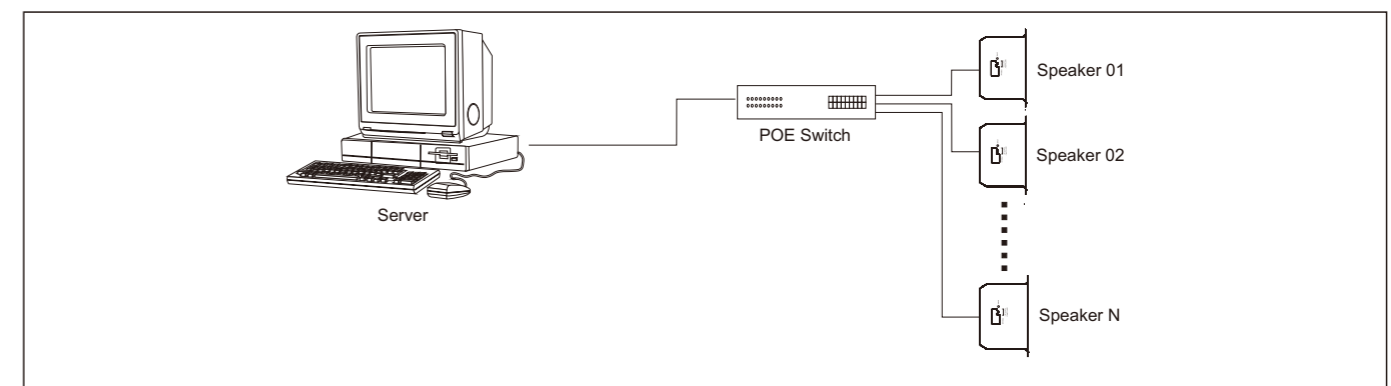
Specification

Model	T-S708
Network interface	Standard RJ45 input
Support agreement	TCP/IP, UDP
Audio format	MP3
Sampling rate	8KHz ~ 48KHz
Transmission speed	100Mbps
Audio mode	16-bit CD sound quality
Frequency response	130Hz~16KHz +/-6dB
Harmonic distortion	Less than 1%
Signal-to-noise ratio	More than 68dB
Rated power	8W (POE) / 8W
Power waste	12W / 12W
Loaded horn	8 ohm /6W
Speaker attribute	Woofer
Power Supply	POE (IEEE 802.3af)/DC24V 2A
Standby power	< 3W
Power Protection Circuit	Overvoltage and Overcurrent Protection
Working temperature	5°C~40°C
Working humidity	20%-80% relative humidity, no condensation
Installation dimension	152mm
Size	180 x 98mm
Weight	0.8Kg

Features

- * Embedded computer technology and DSP audio processing technology are used in the equipment.
- * Built-in 1-channel network hardware audio decoding module, supports TCP/IP, UDP protocol, realizes the network transmission of 16-bit CD audio signal.
- * Supporting POE (IEEE 802.3af) power supply mode, only one network cable is needed to connect to POE switch. The construction is simple and convenient, and the maximum connection distance can reach 80 meters.
- * Equipped with DC 24V standby power interface, it is suitable for power supply when power demand is greater than 10W or for non-POE network.
- * Digital power amplifier with intelligent gain adjustment, adaptive power supply and automatic power adjustment is always in the state of performance optimization and efficiency maximization.
- * Full-band, high-sensitivity amplifier unit, with abundant power, high fidelity sound quality, with flame-retardant metal rear cover, durable, fire-proof and safer.
- * Support LAN and WAN applications, compatible with any network architecture such as router, switch, bridge gateway, Modem, Internet, 2G, 3G, 4G, etc.
- * Supporting the broadcasting system to upgrade the terminal firmware remotely, without upgrading to the terminal locally, so as to reduce the work intensity of maintenance.

Rear Panel



POE Wall Mount Speaker
T-S7608



Product introduction

Professional integrated wall-mounted IP network audio decoding speaker with POE power supply, suitable for high-end office buildings, prisons, banks, VIP rooms and other public broadcasting places requiring simplified wiring.

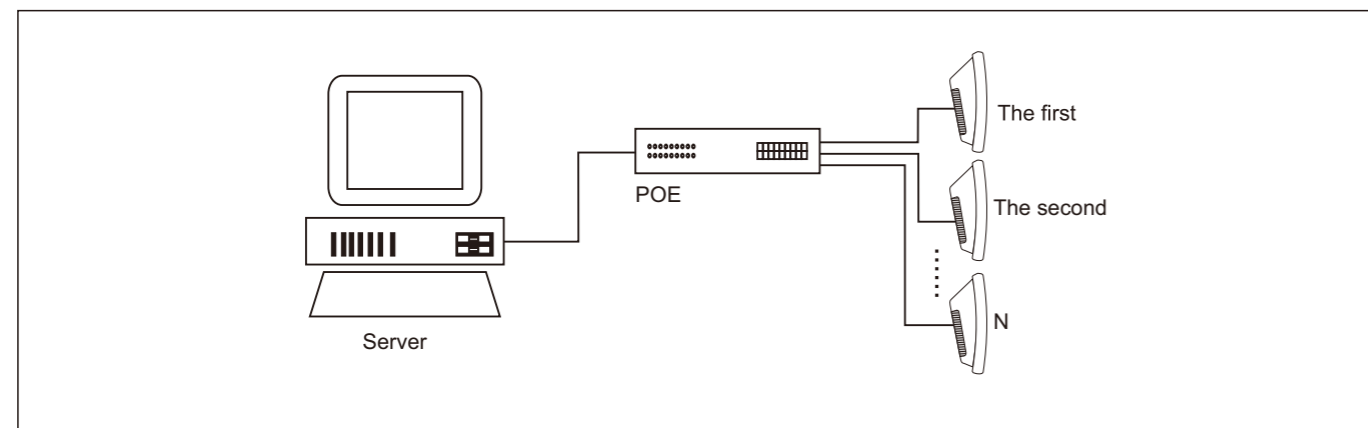
Specification

Model	T-S7608
Power Supply	POE power supply
Power waste	12W
Network interface	RJ45
Transmission speed	10/100Mbps
Support agreement	TCP/IP, UDP
Audio format	MP3
Audio mode	16-bit CD sound quality
Sampling rate	8KHz~48KHz
Bit rate	8Kbps~512Kbps
Rated power	8W
peak power	10W
Horn sensitivity	92dB
Frequency response	130Hz~16KHz (+1/-3dB)
Harmonic distortion	≤1%
Signal-to-noise ratio	≥70dB
Size	200mm×105×276mm
Weight	1.0Kg

Feature

- * The equipment is designed with embedded computer technology and DSP audio processing technology.
- * Built-in 1-channel network hardware audio decoding module, supports TCP/IP, UDP protocol, realizes the network transmission of 16-bit CD audio signal.
- * Supporting POE (IEEE 802.3af) power supply mode, only one network cable is needed to connect to POE switch, so the operation is simple and convenient.
- * Equipped with DC 24V standby power interface, it is suitable for power supply when power demand is greater than 10W or for non-POE network.
- * Digital power amplifier with intelligent gain adjustment, adaptive power supply and automatic power adjustment is always in the state of performance optimization and efficiency maximization.
- * Full-band, high-sensitivity amplifier unit with abundant power and high fidelity.
- * Compatible with any network architecture such as router, switch, bridge gateway, Modem, Internet, 2G, 3G, 4G, etc.
- * Supporting the broadcasting system to upgrade the terminal firmware remotely, without upgrading to the terminal locally, so as to reduce the work intensity of maintenance.

Rear Panel



IP POE Horn Speaker
T-S7720



Description

It is a professional integrated horn speaker that supports POE power supply module and audio decoding module with network transmission. It is suitable for industrial plant, prisons, pedestrian streets, parks, new rural areas and other public address areas that need simple wiring.

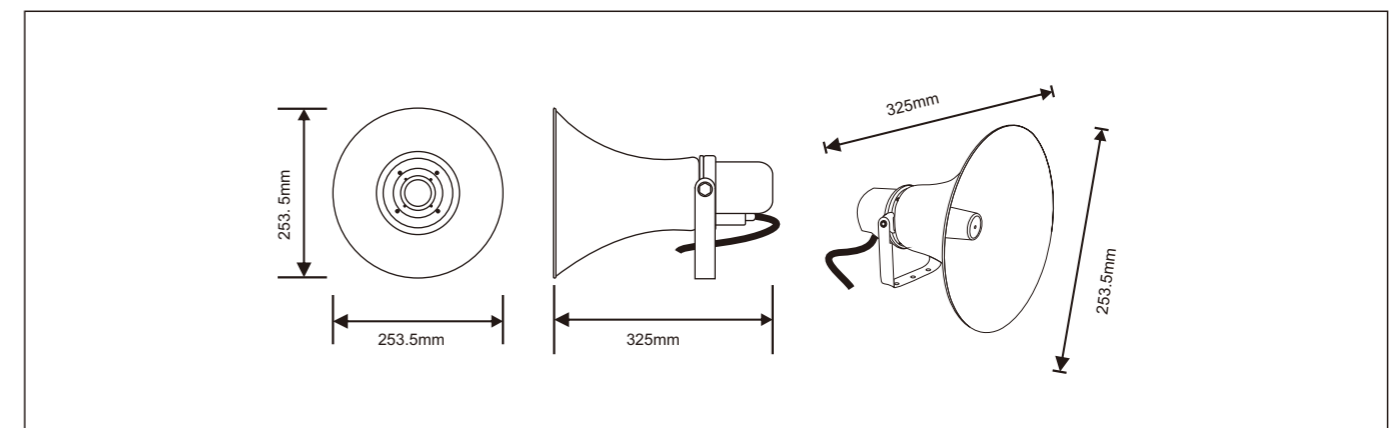
Specification

Model	T-S7720
Network Interface	Standard RJ45 input
Transmission Rate	100Mbps
Supporting Protocols	TCP/IP, UDP
Audio Format	MP3
Audio Mode	16-bit CD sound quality
Sampling Rate	8K~48K
Bit Rate	8K ~ 512Kbps
Power Output	25W (MAX)
Speaker Sensitivity	104dB
Frequency Response	300Hz to 14KHz (+1/-3dB)
Harmonic Distortion	≤1%
SNR	≥68dB
Dimensions	322x322x392mm
Weight	2.7Kg
Power Supply	POE power supply
Power Consumption	30W (IEEE802.3at)
Waterproof Protection	IP54

Features

- * Equipped with embedded computer technology and DSP audio processing technology.
- * Built-in 1 channel network hardware audio decoding module supports TCP/IP, UDP protocols and realizes networked transmission of 16-bit CD sound quality audio signals.
- * Fully compatible with POE (IEEE 802.3at) standard power supply mode, it needs to connect to the POE switch with only one network cable. The construction is simple and convenient. The maximum connection distance is 80 meters.
- * The internal circuit has an automatic voltage limiting function, so that the digital power amplifier is always in the state of optimizing performance and maximizing efficiency. And the standby SNR is ≥68dB (without weighting).
- * A specific high-band, high-sensitivity PA unit with sufficient power and clear and loud sound quality.
- * Support server unified authorization operation management function, unified configuration management user and password function; support 100-level custom audio priority mute control function.
- * Support LAN and WAN applications. Compatible with any network architecture such as routers, switches, bridge gateways, Modem, Internet, 2G, 3G, 4G.
- * Support system background WEB to view device status and management device information; support PA system upgrade remote firmware of terminal, without local upgrade to terminal, reducing the work intensity of maintenance personnel.

Rear Panel



**Patrol Device
T-0778P**



Description

Patrol device is suitable for prison, factory, warehouse, large shopping mall, community, school and other scene applications.

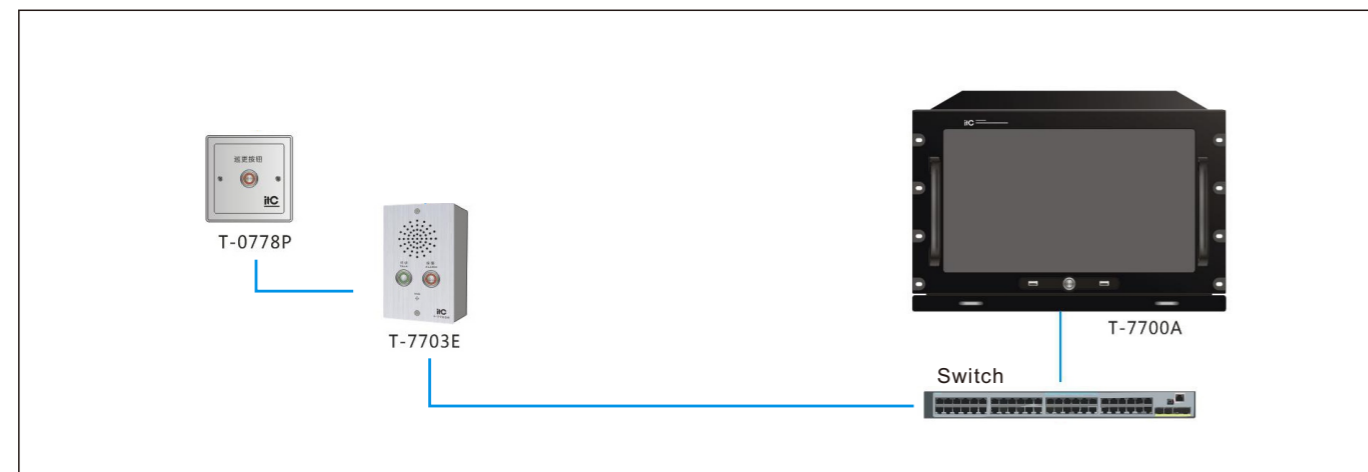
Features

- * The panel is a brushed design, which has the characteristics of anti-fall, anti-prying, anti-needle, rugged and durable.
- * Supports connection with the intercom help panel terminal of the IP broadcast system, and the terminal provides DC 3.3V power supply.
- * Supports scheduled patrol tasks on the IP server. Pressing the button on this device will allow the server to receive instructions, and in the patrol record, you can see which terminal has completed the patrol task.
- * Supports to customize the flashing time of the indicator on the IP server 0-30s.

Specification

Model	T-0778P
Communication Interface	Industry standard terminal blocks
Communication Distance	≤20m
Power Consumption	≤0.5W
Operating Temperature	-20°C~+50°C
Environment Humidity	20%~80%(relative humidity,no condensation)
Installation	Standard 86 back box
Power Supply	DC 3.3V(provided by the connection terminal)
Dimension(L*W*D)mm	90.5×90.5×27.5mm
Weight	0.6kg

Rear Panel



**Intelligent portable terminal
T-100PT**



Description

The intelligent portable terminal is a self-developed and innovative handheld broadcast device, suitable for IP broadcast system, Luna broadcast system, and emergency broadcast system. It is designed as portable professional broadcast terminal, which is compact, light, and convenient to carry. Compared with traditional intercom terminals, handheld terminals are more flexible, convenient, fast, and professional. It can be widely applied to various scenarios and provide corresponding solutions, such as scenic spots, campuses, rural areas, and transportation.

Feature

- * AI voice broadcast: use AI button to wake up the voice assistant with one key, and tell the terminal which you want to perform the broadcast task on, such as: "initiate broadcast to terminal 2" or "initiate broadcast to area A".
- * Task management: control the tasks and detailed information currently being performed by the broadcast system, and support operations such as previous/next song, play/pause, volume control, etc.
- * Broadcast paging: select the terminal device that needs to perform the broadcast task in the terminal list, and then call the terminal.
- * Music broadcast: support on-demand music on terminal devices to perform task push playback.
- * Playlist query: display playlist list and playlist details, and support playlist delete/add operations.
- * Beidou positioning broadcast: after obtaining the nearby terminal, user can press the button to initiate tasks for the current field device, such as: broadcast propaganda, media playback, and other operations.
- * Terminal scan code broadcast: a QR code label independently corresponds to a broadcast terminal. User can paste it at any position, and scan the code to manage the current equipment.
- * Recording broadcast: support one-key recording and storage functions, which can play and audition the content until satisfactory results are achieved.
- * Shortcut key operation: initiate voice recognition, voice text input, and quickly initiate the last broadcast task through button.

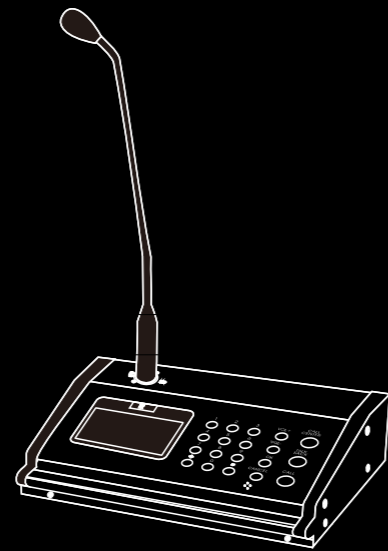
Specification

Model	T-100PT
Display	2.8 inches, LCD/ips
Resolution	320*240 QVGA
Pixel density	143
Brightness	420CD/m²
Contrast	MIN500TYP800
Network setting	Connect to mobile network or wireless network as needed (when both are turned on, the system will give priority to using the wireless network).
Data monitoring	View the traffic usage of current month, and customize the total traffic value of current month.
Scan code to upgrade	Scan QR code in network state to upgrade the software (the version can only be upward compatible, and rollback is not supported).
Flashlight	Switch the flashlight.
Setting	Contain functions such as display, Bluetooth, storage space, factory reset, about, etc..
Photo	View the pictures you have taken.
Camera	Turn on the camera and shoot.
VPN	Support configuration of VPN private network.
CPU	Quad-core Cortex-A53
Processor architecture	Quad-core ARM Cortex-A53MPCore
Processor technology	28nmSOC
GPU	PowerVRGE8100570MHz
Video encoding	1080p30fpsH.264/H.265,MPEG-4SP/ASP
Network standard	GSM+WCDMA+TD-SCDMA+TDD+FDD
Frequency	1.5GHz
4G frequency band	FDD:13782028ATDD:38394041
3G frequency band	WCDMA:1258TD-SCDMA:3439
EDGE/GPRS specification	CLASS12
RAM	Running RAM: 1GB, storage ROM: 8GB
GPS	Support
WIFI	WIFI2.4G/5G
Bluetooth	BLE4.0
Standard charging	1A
Panel technology	G+F
Main control IC	FT6336U
Induction technology	Single point + gesture
Camera sensor	SP5509/GC5025
Camera optical size	1/5 inch
Camera pixel size	2592*1944 500W
Camera aperture	2.2
Camera wide angle	72 degrees
Flashlight	Real flash
Button	Power button, volume button, back touch button
Speaker	Built-in
Microphone	Double silicon MIC
Headphone port	TYPE-C transfer
Charging port	TYPE-C2.0
Battery capacity	Not removable, real power 1600mAh (built-in product)
Charge and discharge frequency	500cycles@cap≥80%
Battery material	Lithium Cobalt Oxide
Voltage	3.8V
Discharge coefficient	0.2C
Battery density ratio	584.19wh/L
Standby time	235H
Shell material	Hardware + Plastic
Color	Black
Dimensions (H×W×D)	129x58x12.6mm
Weight	Net weight: 132g



T-7700 Series

Digital IP Network Intercom System



Introduction of digital IP network intercom system

Adopting network-based digital IP/TCP communication protocol and combining with network communication technology, Digital IP Network Bidirectional Intercom Voice Communication System uses modern communication network to transmit audio signal. Based on network digital audio technology, it transmits audio signal in the form of data packet via LAN and WAN. In addition, it has ITC's unique core processing server and user-friendly operation hardware, which makes it as a fully digital network bidirectional intercom voice communication system. This new released digital intercom system has plenty of advanced functions: fully digital audio, bidirectional intercom, hand-free intercom, emergency paging, remote paging, music broadcasting, emergency broadcast and so on.

Digital IP Network Bidirectional Intercom Voice Communication System adopts stable and reliable network structure, which has low bandwidth, direct communication via WAN, low requirement for network environment and many other advantages. It also solves many problems caused by long-distance transmission: delay, data loss, poor communication, large transmission area, transmission difficulties, high audio signal loss and so on. Adopting network server management, system can reduce the impact of network bandwidth to meet following usage requirements: multi-point control, multi-level control, large number of terminals and so on. The system structure is simple that it can constitute a powerful digital communications system by just connecting terminals to computer network. System devices all adopt embedded computer processing technology, Windows-based database and backend database operating mode. System won't be destroyed by virus, which ensures that system is stable and reliable. Each system terminal can access existing network without separate wiring to achieve multi-network combination: Computer network, digital voice intercom network, digital video surveillance network, telephone communications network and other networks.

Digital IP Network Bidirectional Intercom Voice Communication System is widely applied in the field of bank ATM outlets emergency intercom, Prison alarm intercom, large industrial and mining emergency intercom, safe city emergency intercom, rail transit emergency intercom, forest Park emergency intercom, voice communications inside enterprises and so on, so it is a truly digital intercom system suitable for both internal and external voice communications.

In consideration of user operating environment, Digital IP Network Bidirectional Intercom Voice Communication System adopts one-to-one solution specifically. Depending on different operating environments, different network structures and complex peripheral systems, system adopts best solution to meet user requirements. System adopts industry-standard hardware design and can adapt to different use conditions. In addition, system has humanized appearance, which is so convenient that you can work more efficient and easier.



Features of digital IP Network Intercom System

Advanced Technology

Adopting digital audio processing technology, IP Network Bidirectional Intercom Voice Communication System includes advanced echo cancellation and noise suppression technology to easily achieve full-duplex real-time voice intercom, multi-party conversation and public address functions.

Digitized Transmission

IP Network Bidirectional Intercom Voice Communication System uses the unique CD-quality file format to ensure the sound quality is clear and smooth, and free from external electromagnetic interference; voice data bandwidth is extremely low, the lowest is only 34Kbps, delay of LAN intercom is less than 30 milliseconds.

Personalized Terminal

According to ordinary indoor and outdoor environments, harsh environment and specific environment, we designed a variety of intercom terminals to meet different user needs.

Networked System

Transmission distance is no limit, where there is network connectivity can be achieved intercom communications, and it provides a platform to build a larger intercom communications system.

Compatible System

IP Network Bidirectional Intercom Voice Communication System also can be used as alarm system and public address system (compatible with Digital IP Network Public Address System).

Secure System

Software of IP Network Bidirectional Intercom Voice Communication System is coded by encrypted audio codec format to ensure call secrecy and to prevent wiretap.

Strong Extensibility

System expansion could be realized by adding terminals to existing system. Simple and convenient.



Advantages of digital IP network bidirectional intercom voice communication system

Simple Operation

One key to start intercom, one key to start the alarm and directly hands-free calls.

Low-latency Call

Advanced real-time audio processing technology, no matter in WAN or LAN environments, the sound can be transmitted ultra-fast, delay of intercom call in LAN is less than 30 milliseconds.

High volume, High sound quality

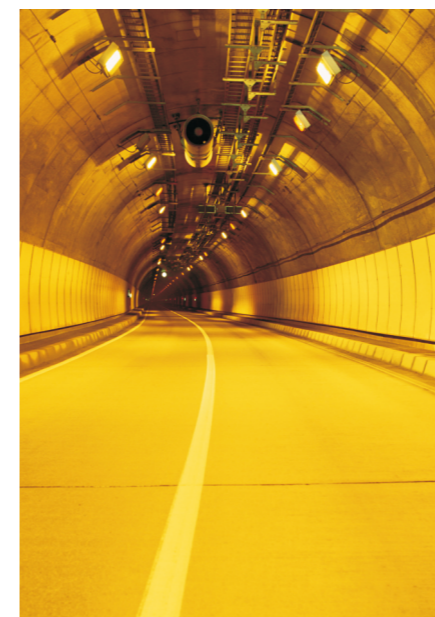
Intercom audio frequency range is 7 KHz, clear audio transmitting is still available for hands-free calls and calls under noisy environment.

Echo processing technology

Advanced echo processing technology, completely offset the intercom speaker and microphone 's echo, and can realize hands free calls while speech without affecting call quality, and inhibited the environmental noise to improve speech intelligibility.

Background noise suppression technology

Original precise digital background noise filtering technology, with intelligent analysis and processing, can effectively reduce ambient noise 's acquisition, suitable for high-definition intercom calls under noisy communication.



Digital IP network for two-way intercom voice communication system 's function

System Function

1. Call Mode

Two-way hands-free calls

After the call is connected, use the real-time full-duplex hands-free voice calls to communicate immediately, and with the echo cancellation function.



Two-way headset call

Can be connected external headset microphone, suitably used for high noise environments or do not want to call when influence others.



2. Intercom Mode

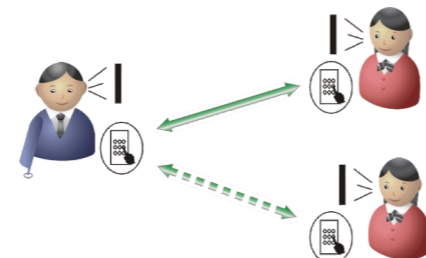
One key to talk

One key to start, have the intercom with the specified target terminal quickly, each terminal can be set up the target of help intercom independently.



Number keys dial-up intercom

By dialing the number keys, you can talk with any of the target terminal.



3. Answer mode

Automatic answer mode

Terminal can be set to be called once after ringing bell to answer other calls natural voice, ringing can be selected and can be added and deleted.



Hand Pick Up Answer

The called terminal rings continuously, until someone manually pressing the answer key.



4. Call forwarding

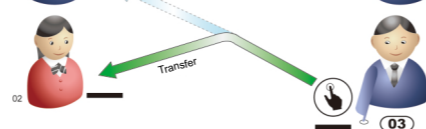
Forwarding when busy

The call will be forwarded to another designated terminal when the called terminal is busy.



Offline forwarding

The call will be forwarded to another designated terminal when the called terminal is offline.



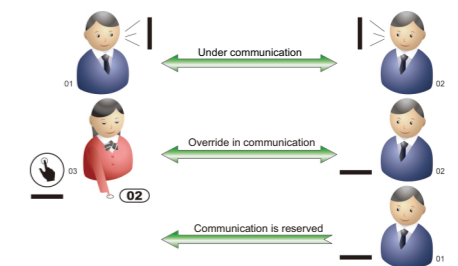
No response forwarding

The call will be forwarded to another designated terminal when there is no answer from the called terminal.

5. Call priority

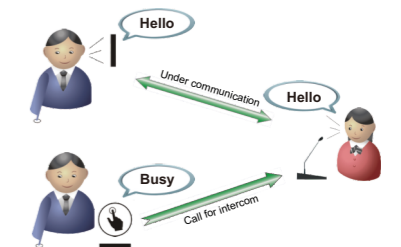
Call override

Intercom terminal can set priority; higher priority user can override the lower priority user 's communication.



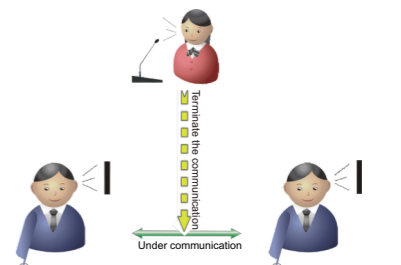
Call waiting

If the called terminal which having the same priority with the calling terminal is busy, the calling terminal will be at waiting status; meanwhile there is waiting tone for reminder. When the called terminal is free, call will connect automatically after several seconds (time can be set on software).



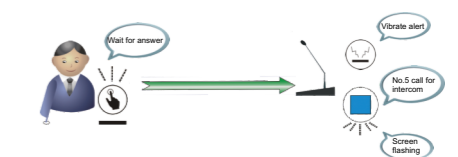
Call stopping

Administrator can stop any of the undergoing communication.



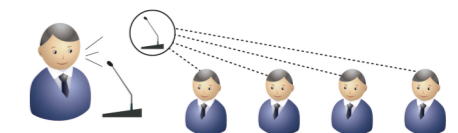
6. Call reminder

There are three kinds of call reminder ways: ring, message and light.



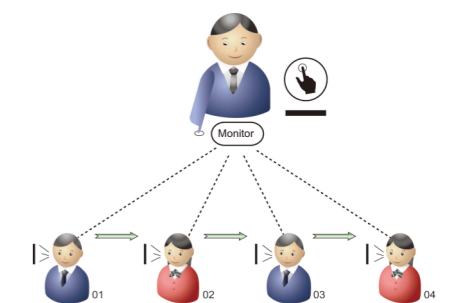
7. Paging

Paging microphone or IP network microphone can make paging to separate terminal, separate zone, multi zones, or all zones.



8. Monitor

The terminal can monitor ambient sounds in the control room through built-in microphone.



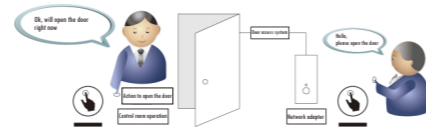
9. Background music system

The terminal can be connected with external speakers to play a voice message and background music, the intercom will override the background music, and this system also support real-time, timing and trigger broadcast.



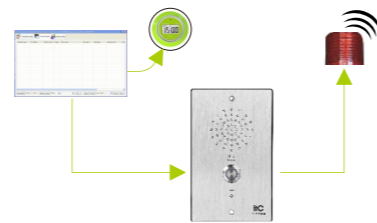
10. Linkage control

The terminal has a short-circuit output interface, and it can trigger linkage video surveillance or alarm indicator; short-circuit input interface to an external electronic access control or emergency button.



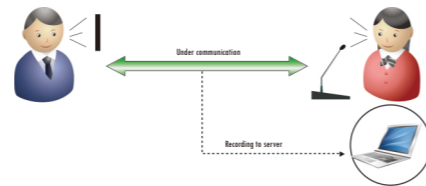
11. Timely inspection

The terminal has short circuit output interface to set the timer trigger output, external alarm indicator to alarm timely.



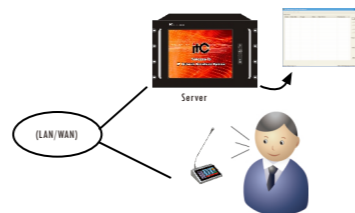
12. Digital recording

The system supports automatically voice recording of every intercom communication and stores in the hard disk of the LAN server.



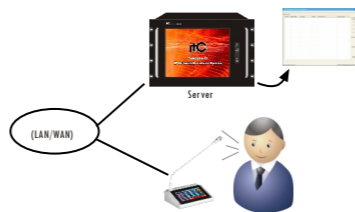
13. Record management

The system supports inquiry the usual recordings, including the terminal records, the date, time and so on; and it supports for catalog management, automatic segmentation and other functions.



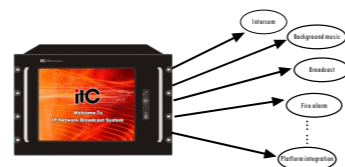
14. Log inquiry and output

Any operations of the system include broadcasting, intercom communication, voice alarm will be tracked down to the system journal, support the server and the end of the service query or output at any time.

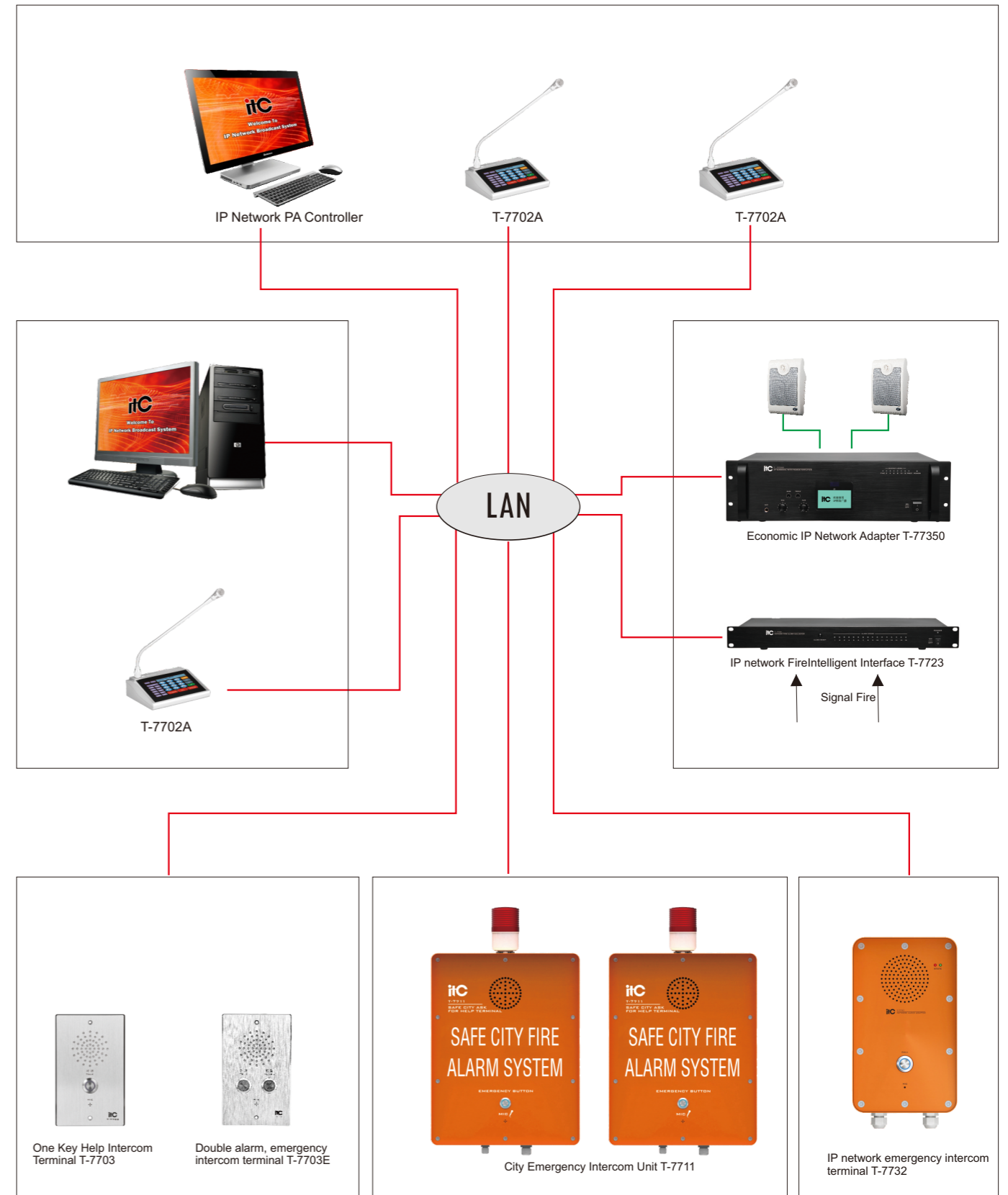


15. System compatibility

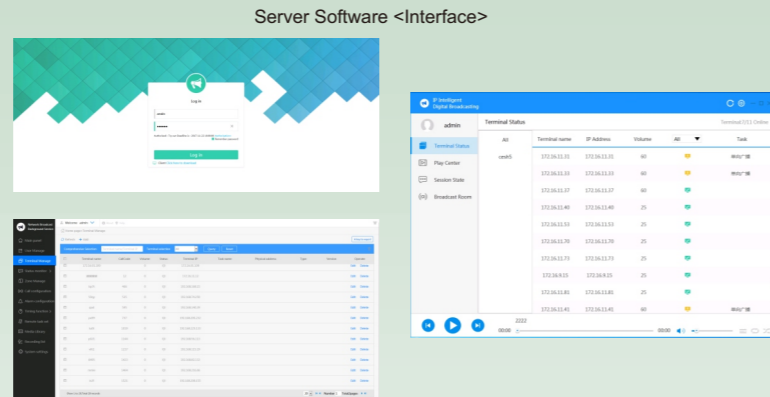
The system is fully compatible with common one way IP network broadcast system, which can achieve all the functions of common broadcast system.



IP/TCP Network Audio System



Software (IP network broadcasting package)
T-7700R



Product Application

Broadcasting system management and control software, installing in broadcasting control center or computer, which serves as an integrated management platform for data exchange, system operation and function operation.

Product Specification

- * The Software is the operating core of whole system, it centrally manages all audio terminals in the system, including paging MIC, intercom terminal, broadcasting terminal and fire interface device, and real-time show operating conditions of audio terminals like IP address, online condition, task condition and volume, etc.
- * Support each audio terminal's operation, take charge of audio streaming transmission managing, responding to broadcasting requests from each audio terminal and full-duplex exchange of audio; Support B /S architecture, it can realize terminal management, user management, program broadcasting management, audio files management, record storage and internal communication scheduling through web login.
- * Manage sources in program database, in order to provide timing broadcast and real-time media service VOD for all audio terminals. It responds to program broadcasting request from each terminal and provides data interface service for each audio workstation.
- * Support full-duplex voice data exchange, respond to contact and call request from each intercom terminal, support calling mode like one key to call, one key to intercom, one key for help, one key to alarm and so on, support automatic answer, manual answer and custom answer beep...
- * Support multiple calling strategy, including calling hold on, calling transfer, nobody answer guidance, support custom setting for time strategy and strategy transmission. It supports setting up call strategy of intercom terminal. It can customize the call time from 0 to 180S or not. It can choose whether to answer automatically or not. It also supports customizing the choice of caller ringtone and waiting ringtone.
- * Support terminal short circuit linkage trigger, users can arbitrarily set the trigger scheme and trigger terminal quantity, trigger scheme includes short circuit output, music broadcasting and patrol alarm, etc.
- * Programming timing tasks, support for programming multiple timing programs, support for selecting any terminal and setting any time. Support timed task execution test and set repetition cycle.
- Supports multiple schemes of timed ringing to be enabled at the same time. Each scheme supports multiple tasks to be carried out at the same time, and supports all schemes to be enabled/disabled by one key.
- * Support customized bell, bell cloning, task execution and stop control, disable and enable function of timing task.
- * Support timing patrol, external chainless button short circuit switch(with 3.3V LED cue light).
- * Support terminal tamper alarm, Alarm triggered when terminal is demolished or trigger alarm for other terminal linkage.
- * Support external power management of audio terminals, support timing switch on and delay off.
- * Support whole area, partition area fire linkage, support N±N fire mode, support artificial alarm and digital alarm mixing.
- * Support centrally manage terminals' login password, multiple priority management and automatic authority.
- * Support partition management of multi-users and arbitrary degree, achieve remote program broadcasting management.
- * Support 3, 4-wire volume control strong cut function of terminal , (4-wire volume control requires external power supply).
- * Support 5-band equalizer adjustment for terminal , it supports 80Hz, 300Hz, 1KHz, 3KHz, 10KHz frequency ±16dB adjustment.
- * It supports power control partition settings for 8-way power partition terminals. It is easy to set partitions through the backstage of web pages or the control client.
- * Supports setting time display configuration for terminal, can set 0-6 level brightness value, can set off-line mode such as not showing time.
- * It supports setting different lighting modes for terminals. It can customize the setting of red light, red light, green light and green light out time of 0.1S-10S.
- * Support recording for broadcasting, intercom, real-time collection and terminal monitor.
- * Support remote control and on demand programs function.
- * Support terminal audio collecting and broadcasting programs function.
- * Support local audio collection function, Play to any designated terminal.
- * Support offline timing bell, When disconnected from the network, the terminal is managed to perform regular ringing tasks
- * Extended support phone broadcasting function, to achieve functions like whole area broadcasting and partition broadcasting through telephone.
- * Supports text-to-voice broadcasting function, it can set speech rate, male/female voice.
- * Instead of terminal local upgrade, T-7700R can support remote firmware upgrade. It reduces the work intensity of maintenance personnel.
- * Support to change skin on background, freely switch skin theme according to preferences
- * Support multi-languages, such as Chinese, English, French, etc.
- * It supports the terminal detail export function and supports the export of the configuration details of the current system terminal through a table to facilitate the system management.
- * Support batch modifying time and terminal of timing tasks.
- * Support mobile phone on demand, broadcast and intercom function with Wi-Fi, also can be compatible with Android and IOS system App.
- * Provide secondary software development package, provide standard MFC shared library and HTTP protocol, can integrate with the third-party.
- * Support timing system which is highly based on GPS, to make it separably offline system timing, to enable time error of system less than 1/300000 sec./y.
- * Can record system operating condition, real-time record system operation and terminal running conditions. Can record calling, communication and broadcasting operation every time.
- * System is compatible with arbitrary network structure, such as router, switch, gateway and bridge, Modern, 2G, 3G, 4G, multicast, unicast, etc.
- * Windows server mode, support Win 7, server 2008 and more advanced version.
- * Adopted background system server operation. T-7700R is enterprise standard server operating mode, which can automatic operate when power on. More stable and more reliable than other software operating in foreground interface.

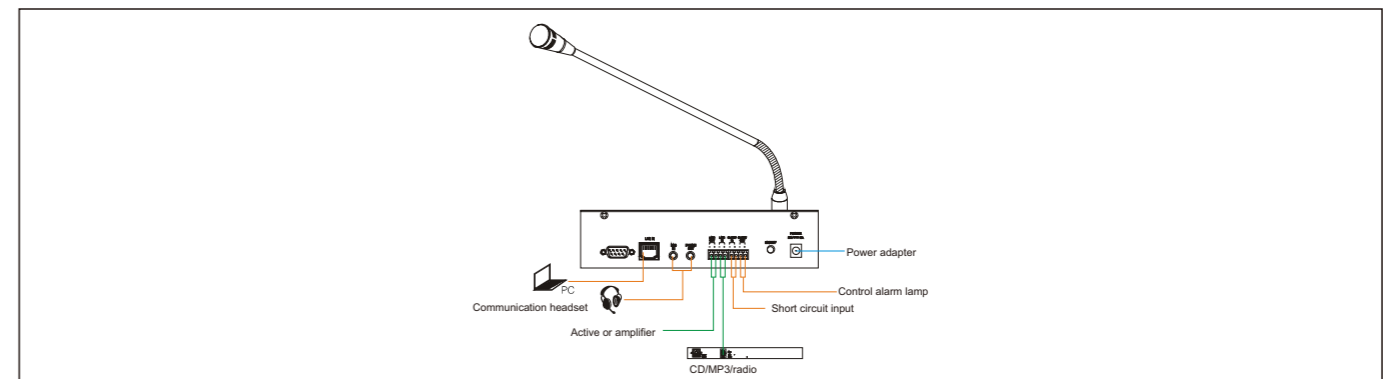
Desktop Intercom Paging Microphone with
7-inch Touch Screen
T-7702A



Specification

Model	T-7702A
Network Interface	Standard RJ45 input
Support Protocol	TCP/IP,UDP,IGMP (Multicast)
Audio Format	MP3
Sampling Rate	8K~48KHz
Transmission rate	100Mbps
Audio Mode	16 bit CD quality
Display Size	7-inch
Screen Resolution	800 x 480 Pixel
Screen Type	65K Color DGUS Screen
Keyboard Type	virtual QWERTY Keyboard
Keyboard Input Type	Touch screen
Inscribed speaker impedance and power rating	4Ω,2W
THD	≤1%
Built-in speaker Frequency response	317Hz~3.4KHz +1/-3dB
LIEN OUT Frequency response	80Hz~16KHz +1dB/-3dB
SNR	>65dB
PHONE OUT output impedance and power rating	32Ω,2mW
LINE OUT Output Level	1000mV Industry standard wire terminals
LINE OUT Output Impedance	470Ω
LINE IN Input Sensitivity	350mV Industry standard wire terminals
MIC Input Sensitivity(Unbalance)	10mV
Short-circuit input	Dry contact input
Short-circuit output	Max 1A/30VDC Dry contact input
Working Temperature	5°C~40°C
Working Moisture	20%~80%Relative humidity, without condensation
Working Consumption	≤6W
Power Input	~190-240V 50-60Hz (power adapter); DC24V/2A
Size	200×160×160 mm
Weight	1.2Kg

Rear Panel



Description

It is applied to a variety of call centers, alarm centers, duty room, leadership offices, meeting rooms and so on, to fulfill one way paging (point to point, to a single zone, or all zones)to a variety of network terminals, two-way intercom and monitoring.

Features

- * With desktop design, it's built-in 7 inch resistance touch screen by 800 × 480 dot matrix K600 + kernel 65K color, to fulfill clear display and sensitive touch. It will enter into sleeping and low-consumption states if no operation, with user-friendly man-machine interface.
- * With numeric and function keys interface. Support paging to single or multiple zones, all zones. Support direct paging or intercom with terminal, support environmental monitoring to any terminal, with distance up to 5 meters.
- * With embedded computer technology and DSP audio processing technology, high-speed industrial-grade chips, to ensure the start-up time less than 1 second.
- * Built in 1 channel network hardware audio decoding module that supports TCP / IP, UDP, IGMP (multicast) protocol to achieve 16-bit stereo CD quality network audio signal transmission.
- * It is compatible with routers, switches, bridges, gateways, Modem, Internet, 2G, 3G, 4G, multicast, unicast and other arbitrary network structures.
- * Support full-duplex two-way intercom function, built-in network echo cancellation module.
- * Support two-way intercom between the terminals, with network delay less than 100ms, and suppress the network echo howling completely.
- * Support hints of asking for help signal ringing and flashing lights, one key to accept the call, intercom, hands-free calls and receive broadcast, to achieve quick links.
- * Support multiple paging modes, including paging waiting, paging forwarding, no answer reminding.
- * Support for answering automatically, manual answering, and support for custom answer tone.
- * Support user-defined setting of time for call forwarding , no answer, call waiting.
- * Built-in 2W full-frequency hi-fi speaker, to fulfill two-way conversation and network monitoring.
- * One φ3.5 headphone jack and one φ3.5 MIC input socket, matching with 95% headphones and a portable microphone in the market.
- * With one line output for external amplifier expansion, one line input for more audio sources transmission.
- * One way alarm output for short circuit trigger ,can be cascaded with external alarm device or access control; one way short circuit input, can be used to trigger preset voice prompts (or alarm), and also can be used to control the access control to linkage with input short-circuit signal.
- * The digital products is more convenient for extension, no limit by the geographical position, no need increase management equipment in control center, sharing network to save cabling, simple installation.
- * It supports remotely update to the hardware terminal, no need to upgrade locally , to reduce maintenance work and make simpler operation.
- * With 10 buttons, support customized one-button paging and one-button broadcasting.

**One-Key For Help Intercom Terminal
T-7703**



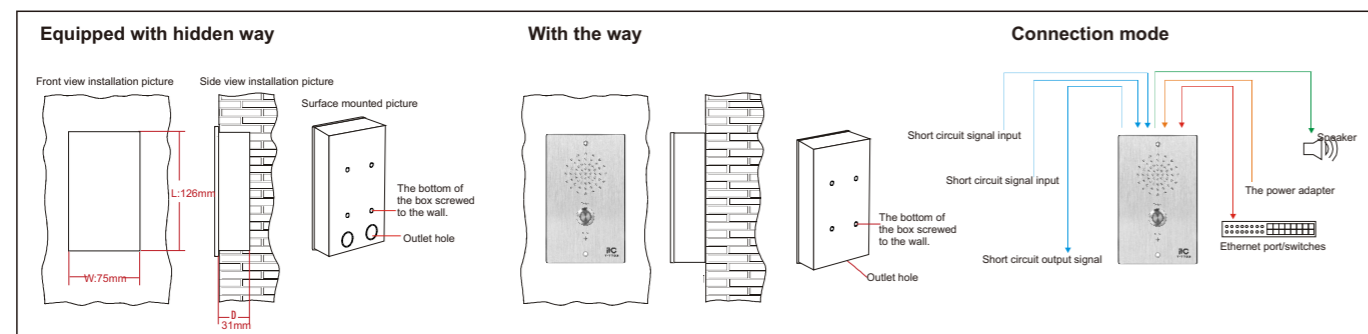
Description

The one-button for help intercom terminal can initiate an intercom call to the command center.

Features

- * With embedded rectangular design, simple and smooth appearance, sophisticated lines and durable quality.
- * With embedded computer technology and DSP audio processing technology.
- * One button ask for help, can call the intercom mic of the duty room. Quick connection and easy operation
- * Built-in microphone with high sensitivity, with wide area for sound collection, and high sound reproduction.
- * Built-in 3W full-range monitor speaker, with loud and clear voice.
- * Support hands-free calling and broadcast receiving.
- * Support local electronic door lock and local alarm indicator (select 1 from 2 options).
- * Support 2-channel local short-circuit signal input; linkage with 1 short-circuit output for monitoring short circuit linkage.
- * With crimp DC power supply interface, external connect to 24V power adapter or centralized power supply.
- * Two installation methods: embedded and surface mounted.
- * Waterproof degree: Ip55.
- * With 1 line output, for connecting active speaker to achieve voice paging.
- * Support short-circuit signal input of security equipment, also supports customized setting on the time plan of patrol and sign in for the local area security.
- * Support panel button linkage to 1 short-circuit output or ring alarm, for monitoring short-circuit linkage or emergency tips.
- * Support disassemble panel alarm function, at the same time to link the short-circuit output of multiple devices from local and remote, and connect to alarm or police alarm horn speaker.
- * The system supports remote hardware updating to the terminals, no need to go to the local terminal site, save a lot of maintenance work.

Connections



**Flush Mounted Box
T-7718**



Box Dimension (LxWxD):123x72x32mm
Wall Opening Size(LxWxD):126x75x31 mm

**Surface Mounted Box
T-7719**



Dimension(LxWxD):129x78x32 mm

Specification

Model	T-7703
Network Interface	Standard RJ45 input
Transmission rate	100Mbps
Protocol Support	TCP/IP,UDP
Audio Format	MP3
Audio Mode	16bit CD sound quality
Sampling Rate	8K~48KHz
MIC Input sensitivity	10mV
Frequency Response	317Hz~3.4KHz
Overall Power Consumption	10W
THD	≤1%
SNR	>65dB
Operation Temperature	-20°C~60°C
Operation humidity	20%~80% Relative humidity, non-condensing
Input Power	~190-240V 50-60Hz(Adapter); DC24V/1A
Dimension	132x81x39mm
Weight	0.5Kg

**Two-Button Designed For Help &
Emergency Intercom Terminal
T-7703E**



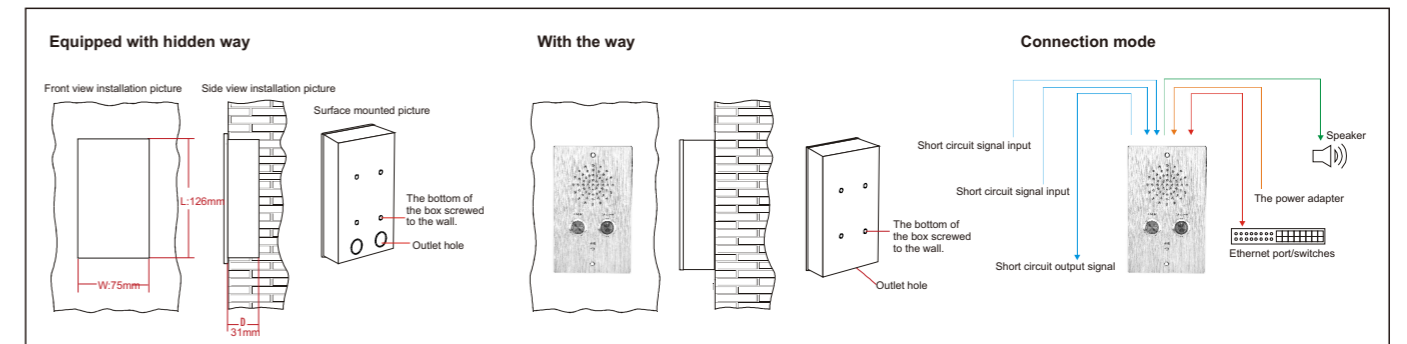
Description

The one-button for help intercom terminal can initiate an intercom call to the command center.

Features

- * With embedded rectangular design, simple and smooth appearance, sophisticated lines and durable quality.
- * With embedded computer technology and DSP audio processing technology.
- * One button ask for help, can call the intercom mic of the duty room. Quick connection and easy operation
- * One button ask for alarm, this terminal can be used for alarm task trigger equipment.
- * Built-in microphone with high-sensitivity, with wide area for sound collection, and high sound reproduction.
- * Built-in 3W full-range monitor speaker, with loud and clear voice.
- * Support hands-free calling and broadcast receiving.
- * Support local electronic door lock and local alarm indicator (select 1 from 2 options).
- * Support two channel local short-circuit signal input; linkage with 1 short-circuit output for monitor short circuit linkage.
- * Crimp DC power supply interface, external connect to 24V power adapter or centralized power supply.
- * Two installation methods: embedded and surface mounted.
- * Waterproof degree: Ip55.
- * With 1 line output, for connecting active speaker to achieve voice paging.
- * Support short-circuit signal input of security equipment, customized setting the time plan of patrol and sign in for the local area security.
- * Support panel button linkage with 1 short-circuit output or ring alarm, used to monitor short-circuit linkage or emergency tips.
- * Support disassemble panel alarm function, at the same time of disassemble panel alarm, link the short-circuit output of multiple devices from local and remote, and connect to alarm or police alarm horn speaker
- * The system supports remote hardware updating to the terminals, no need to go to the local terminal site, save a lot of maintenance work.

Connections



**Flush Mounted Box
T-7718**



Box Dimension (LxWxD):123x72x32mm
Wall Opening Size(LxWxD):126x75x31 mm

**Surface Mounted Box
T-7719**



Dimension(LxWxD):129x78x32 mm

Specification

Model	T-7703E
Network Interface	Standard RJ45 input
Transmission rate	100Mbps
Protocol Support	TCP/IP,UDP
Audio Format	MP3
Audio Mode	16bit CD sound quality
Sampling Rate	8K~48KHz
MIC Input Sensitivity	10mV
Frequency Response	317Hz~3.4KHz
Overall Power Consumption	10W
THD	≤1%
SNR	>65dB
Operation Temperature	-20°C~60°C
Operation humidity	20%~80% relative humidity, non-condensing
Protection Grade	IP55
Input Power	190-240V 50-60Hz (Adaptor); DC24V/1A
Dimension	132x81x39mm
Weight	0.5Kg

**IP Network Emergency Intercom Terminal- with LED screen / warning light
T-7710**



Features

- * Metal shell with piano paint process, stable and durable. Can be fixed on the outdoor vertical pole.
- * The device is designed with embedded computer technology and DSP audio processing technology.
- * Built-in 1 channel network hardware audio decoding module. Support TCP/IP, UDP protocol. Realize networked transmission of 16-bit CD sound quality audio signal.
- * Built-in voice intercom call module. Support full-duplex voice intercom and call with high-performance DSP audio processing. Support for digital echo cancellation, audio compression.
- * With high-brightness, wide-screen LED display, clear for various information.
- * Built-in 5W high-fidelity full-frequency speaker. The call sound is clear and loud. Built-in 50W digital impedance power amplifier. can connect impedance column, which is suitable for outdoor amplification requirements.
- * Built-in high-sensitivity microphone supports hands-free calling and custom answering mode. With wide sound collection area and high tone reproduction.
- * Built-in monitoring function supports for service level recording management. Built-in audio signal line output can be connected to the monitoring system.
- * With one short circuit input and one short circuit output terminal, the short circuit input is suitable for the linkage signal data acquisition in tunnels and other places; the short circuit output is suitable for the security city surveillance video linkage.
- * With energy-saving management switch. The digital power supply is into energy-saving mode when there is no broadcast or help signal.
- * One DC24V power output for external power supply.
- * Support custom call target, fast one-click call, one-click help.
- * Support multiple call strategies including call forwarding and no-answer reminders.
- * Support transfer time and ring time customization.
- * Support preset quick play program library and network remote trigger program broadcast.
- * Support custom hang mode, optional active or passive hang mode.
- * The overall use of steel casing and anti-removing screws, anti-acupuncture.
- * Support any network structure such as router, switch, bridge gateway, Modem, Internet, 2G, 3G, 4G.
- * Digital products is easy to expand and not limited by geographical location. There is no need to increase the machine room management equipment. It adopts the common network free line construction design concept, which is easy to install.
- * Customizable 24V DC power supply, can use outdoor solar battery power supply.

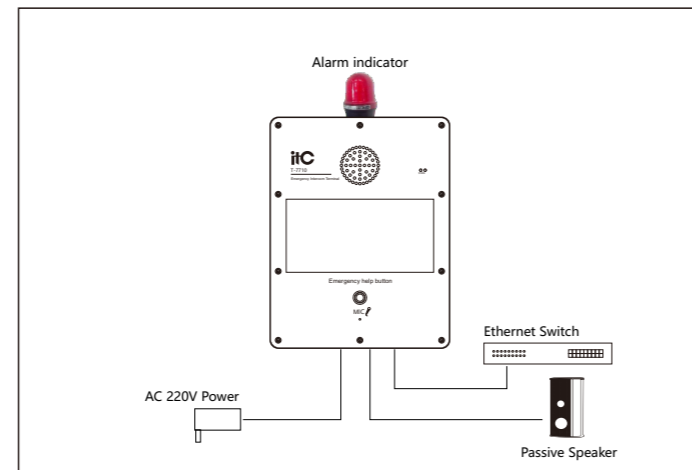
Description

Professional outdoor one-click help network intercom terminal is designed for safe city, large park, tunnel, mine and other places. And it can be used to broadcast and play background music.

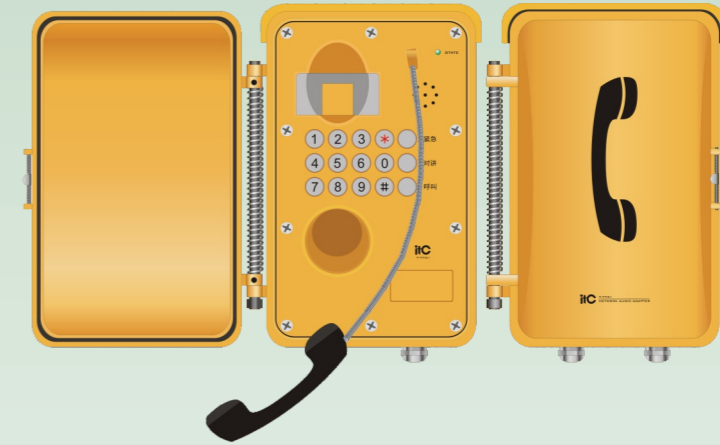
Specification

Model	T-7710
Network Interface	Standard RJ45 input
Supporting protocol	TCP/IP, UDP
Audio format	MP3
Sampling Rate	8K~48KHz
Transmission rate	100Mbps
Audio mode	16-bit CD sound quality
Output frequency	80Hz ~ 16KHz
Harmonic distortion	≤1%
SNR	>65dB
Environmental temperature	-20°C ~ 60°C
Environmental humidity	20% to 80% relative humidity, no condensation
Power consumption	≤80W
Protection level	IP55
Input power	~220V 50Hz
Dimensions	480×370×130mm
Weight	10.5Kg

Connections



**Industrial Emergency Intercom Terminal
T-7731**



Features

- * Adopting 5mm thickness alloy enclosure, with very strong structure of waterproof and dust-proof.
- * Adopting embedded computer technology and DSP audio processing technology, with the high-speed industrial chip, the start time less than 1 second.
- * Built-in 1 channel network audio decoding module, supports TCP/IP, UDP, IGMP protocol and realize the networking transmission of 16-bit CD quality audio signal.
- * Built-in voice intercom module, support full duplex intercom and call, work with high-performance DSP audio processing module to support digital echo cancellation and audio compression function.
- * Built in with number buttons and function keys, support calling to any terminal, full duplex intercom, hands-free call, easy and convenient to operate.
- * Built-in incoming call buzzer, the phone with hand-held, which can answer the call by taking down the handle.
- * Built in with 30W digital amplifier, which could be connected with external rated resistant speakers for paging, sound amplifying and playing background music.
- * Built-in one short-circuit input connecting terminal and one short-circuit output connecting terminal; the short-circuit input connecting terminal is used to collect signal and data, the short-circuit output connecting terminal is used to CCTV linkage.
- * Support multiple call strategies, including call waiting, call forwarding and no answer reminding.
- * Support custom reminding of call waiting time, no answering time and call waiting time.
- * Support menu-free dialing, meeting mode, built in with meeting schedule management function.
- * Support preset quick-play media library, support online remote play the audio file.
- * Support customized hanging up mode, it can be automatic hanging up or been hung up.
- * Support one key to call mode, one key to alarm mode and meeting discussion mode.
- * With high protection grade of IP 66, with alloy enclosure and removal-proof screws, with advantages of explosion-proof, water-proof and puncture-resistant.
- * Compatible with router, switch, bridges, gateway, Modem, Internet, 2G, 3G, 4G, multicast, unicast, etc.
- * Digital products with easy expansion, without geographical restrictions, no need to increase management equipment on the machine room, using a common network from the design concept of line construction for easy installation.
- * The system supports remote hardware updating to the terminals, no need to go to the local terminal site, save a lot of maintenance work.
- * Optional with 24V DC power supply.

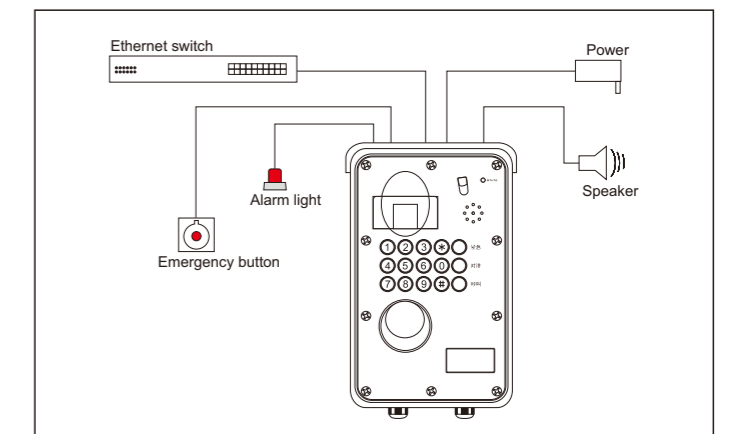
Description

T-7731 is a wall mounted intercom terminal with dial buttons. It is dedicated designed for places including power plants, dams, steel plants, coal plants, mines, etc. It can realize two-way intercom with call center and duty room, and also can be applied to paging and background music broadcasting.

Specification

Model	T-7731
Network Interface	Standard RJ45 Input
Protocol	TCP/IP, UDP
Audio Format	MP3
Sampling Rate	8K~48KHz
Transmission Rate	100Mbps
Audio Mode	16-bit stereo CD level
Output Frequency	80Hz~16KHz +1/-3dB
THD	≤1%
SNR	>65dB
Power Of External Speaker	30W Industrial standard connecting terminal
Operating Temperature	-20°C~60°C
Operating Humidity	20%~80% relative humidity, non-condensation
Power Consumption	≤40W
Power Supply	~190-240V 50-60Hz
Protection Grade	IP66
Size	320×205×120mm
Weight	5.5Kg
Explosive-proof grade	Ex db ib IIB T6 Gb

Connections



IP network emergency intercom terminal (industrial grade)
T-7732



Features

- * It is full metal case stoving varnish technique, anti-explosion and waterproof, very durable, which can be fixed in outside vertical pole or wall mount installation.
- * This equipment is adopted embedded computer technique and DSP audio processing technique design, which is used high-speed industrial chip with starting time less than 1 second.
- * It is built-in 1 network hardware audio decoding module, supports TCP/IP, UDP, IGMP (multicast) protocol, which can realize the networking transferring 16 bit CD sound quality of audio signal.
- * It is built-in voice intercom communication module, supports full duplex voice intercom and communication with high-performance DSP audio processing, which supports digital echo cancellation and audio compression function.
- * It is built-in 5W HIFI full-range speaker to have clear and loud sound, it is built-in 30W digital constant impedance amplifier, which can connect with impedance column speaker to suit for outside sound reinforcement needs.
- * It is built-in high sensitivity microphone and supports hands-free calls, self-defined answering. Its sound collecting zone is very large and the tone reducibility is high.
- * It is built-in monitoring function, supports service grade recording management. It is built-in audio signal line output, which can connect to monitoring system.
- * It has 1 short circuit input and 1 short circuit output terminal, short circuit input suits for the linkage signal data collection of those places such as tunnel, while short circuit output suits for safe city monitoring video linkage.
- * It has energy-saving management switch, when there is no broadcasting or seek help, digital amplifier power supply is off and starts the energy-saving mode.
- * 1 channel DC24V power supply output, which is used to circumscribe alarm lamp equipment to offer the power.
- * It supports self-defined calling target, quick one-key call, one-key emergency.
- * It supports all kinds off call strategies, including call forwarding, nobody answering reminding.
- * It supports forwarding time, self-defined ring time.
- * It supports presetting quick playing programs, network remote triggering program playing.
- * It supports self-fined hand-up mode, which can choose initiative or passive mode.
- * It is the high-protection grade: IP54 design, the whole is adopted steel case and anti-tearing down screw, anti-explosion, waterproof, anti-needling.
- * It supports those network structure, such as router, switcher, network bridge gateway, Modem, Internet, 2G, 3G, 4G, multicast, unicast, and any network structure.
- * Digital products with easy expansion, without geographical restrictions, no need to increase management equipment on the machine room, using a common network from the design concept of line construction for easy installation.
- * It supports remote hardware update of the terminal, no need go to upgrade at the local site, to reduce maintenance burdens and make more simple operation.
- * Can be customized 24V DC power supply to meet the needs of outdoor solar batteries.

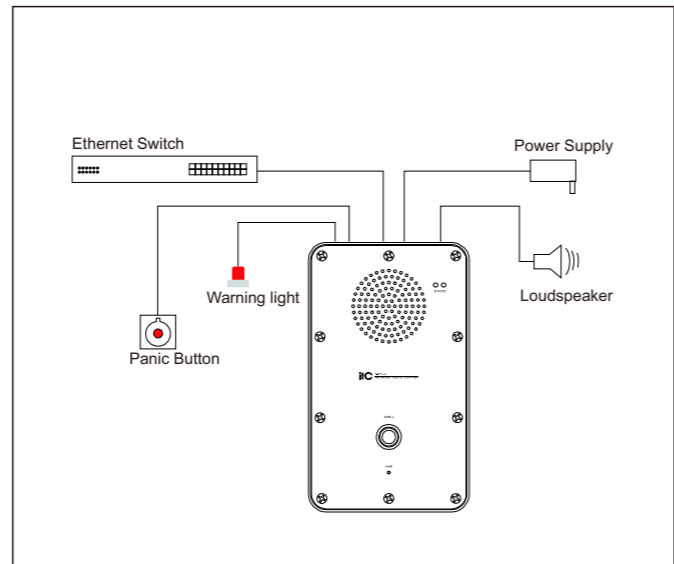
Description

It is the professional outdoor one-key emergency network intercom terminal, which is designed for those places such as safe city, large park, tunnel, mine, etc. It also can be used for broadcast and playing background music.

Specification

Model	T-7732
Network Interface	Standard RJ45 input
Support protocol	TCP/IP, UDP, IGMP (multicast)
Audio mode	MP3
Sampling rate	8K~48KHz
Transmission speed	100Mbps
Audio module	16 bits CD sound quality
Output frequency	80Hz~16KHz
THD	≤1%
SNR	>65dB
Environment temperature	-20°C~60°C
Environment humidity	20%~80% Relative humidity, no condensation
Power consumption	≤40W
Protection grade	IP54
Output power supply	~220V 50Hz
Size	290×168×133mm
Weight	4.2Kg

Connections



IP Terminal
T-7730



Description

Integrated design of digital network decoding module and aluminum box, aluminum alloy waterproof and rust-proof shell structure; can be installed in outdoor pillars and underground installation slots in various broadcast management areas, for outdoor programs in parks, squares, streets, tourist attractions and other programs Playback and local radio.

Features

- * Professional integrated structural design, aluminum alloy die-casting, small size, IP66 dust-proof and waterproof design, anti-radio frequency interference, suitable for working in -35 ~ 60 environment.
- * Built-in network IP decoding module can play network music and one-way call function in real time; the network delay time of the collection and playback and one-way call function in the system is less than 100ms.
- * Supports on-demand function, real-time audio on-demand function of network media library.
- * Built-in 30W constant resistance power amplifier, externally connected to the speaker, higher heat efficiency, CD-level perfect sound quality (optional 15W).
- * Compatible with any network structure such as router, switch, bridge gateway, Modem, Internet, 2G, 3G, 4G, etc.
- * Digital products, easy to expand capacity, not restricted by geographical location, no need to increase equipment room management equipment, adopt the design concept of common network free line construction, easy installation.
- * Supports broadcast system to upgrade the terminal's remote firmware without the need to upgrade locally to the terminal, reducing the work intensity of maintenance staff.

Specification

Model	T-7730
Network Interface	Standard RJ45 input
Supporting Agreement	TCP/IP, UDP
Audio Format	MP3
Sampling Rate	8KHz~48KHz
Transmission Rate	100Mbps
Audio Mode	16-bit CD sound quality
Rated Power	30W
Total Harmonic Distortion	≤1%
Frequency Response	130Hz~16KHz +1/-3dB
Signal to Noise Ratio	≥65dB
Operating Temperature	-30°C~60°C
Environment Humidity	20%~80%(relative humidity, no condensation)
Power Supply	~220V 50Hz
Power Consumption	≤40W
IP Level	IP66
Dimension	188×120×78mm
Weight	2.5Kg

IP Terminal
T-7730P



Description

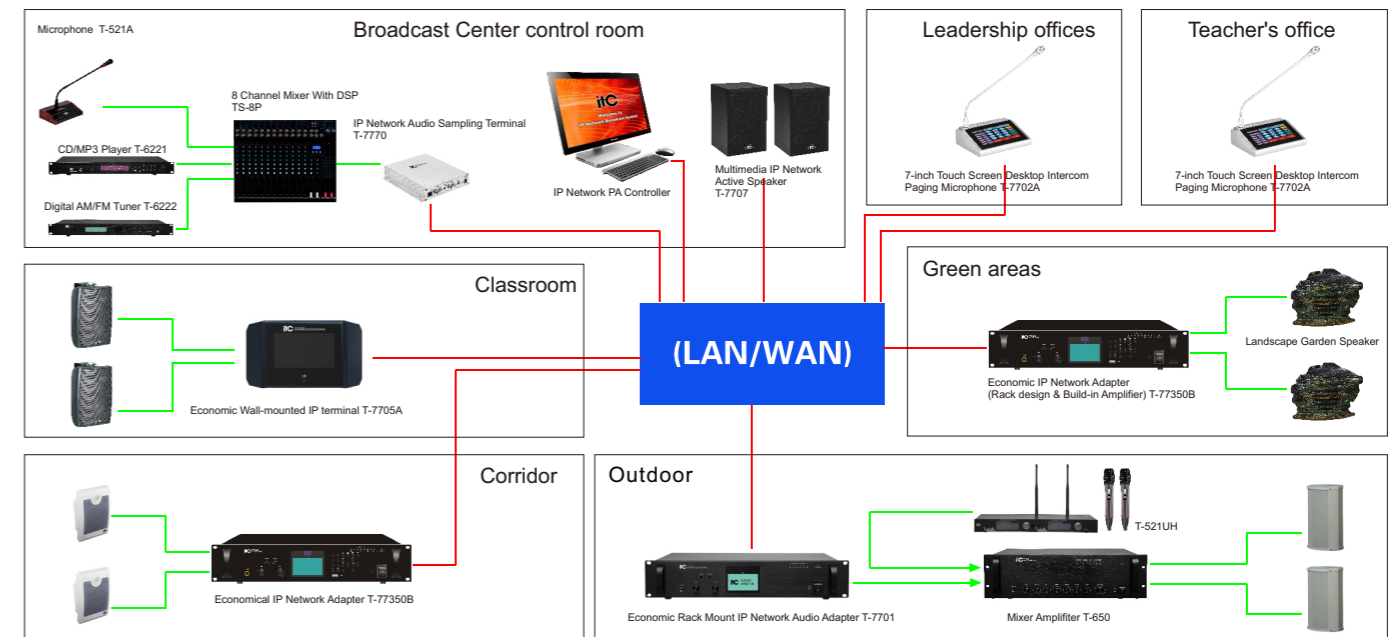
Integrated design of digital network decoding module and aluminum box, aluminum alloy waterproof and rust-proof shell structure; can be installed in outdoor pillars and underground installation slots in various broadcast management areas, for outdoor programs in parks, squares, streets, tourist attractions and other programs Playback and local radio.

Features

- * Professional integrated structural design, aluminum alloy die-casting, small size, IP66 dust-proof and waterproof design, anti-radio frequency interference, suitable for working in -35 °C ~ 60 °C environment.
- * Built-in network IP decoding module can play network music and one-way call function in real time; the network delay time of the collection and playback and one-way call function in the system is less than 100ms.
- * Support on-demand function, real-time audio on-demand function of network media library.
- * Built-in 30W constant resistance power amplifier, externally connected to the speaker, higher heat efficiency, CD-level perfect sound quality (optional 15W).
- * Compatible with any network structure such as router, switch, bridge gateway, Modem, Internet, 2G, 3G, 4G, etc.
- * Digital products, easy to expand capacity, not restricted by geographical location, no need to increase equipment room management equipment, adopt the design concept of common network free line construction, easy installation.
- * Support broadcast system to upgrade the terminal's remote firmware without the need to upgrade locally to the terminal, reducing the work intensity of maintenance staff.

Specification

Model	T-7730P
Network Interface	Standard RJ45 input
Supporting Agreement	TCP/IP, UDP
Audio Format	MP3
Sampling Rate	8KHz~48KHz
Transmission Rate	100Mbps
Audio Mode	16-bit CD sound quality
Rated Power	16W
Total Harmonic Distortion	≤1%
Frequency Response	130Hz~16KHz +1/-3dB
Signal to Noise Ratio	≥65dB
Operating Temperature	-30 °C~60 °C
Environment Humidity	20%~80%(relative humidity, no condensation)
Power Supply	~220V 50Hz
Power Consumption	≤40W
IP Level	IP66
Dimension	188×120×78mm
Weight	2.5Kg



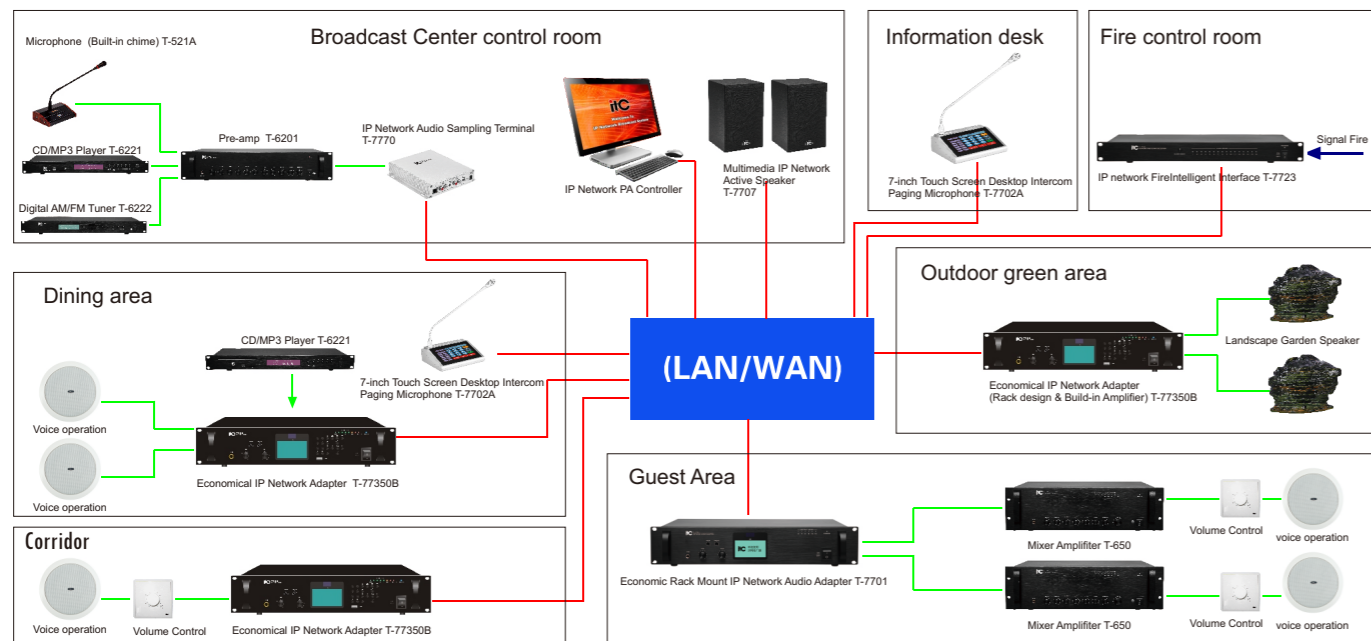
Classroom point to point broadcast and local broadcast
Each classroom installs a wall-mounted terminal. Teachers can freely select audio sources from the programming library, no interference between each classroom; local reinforcement is also available.

Sub-control management and remote broadcast
Setting sub-control computer in the leadership office or student radio station is convenient for nearby operation and improving work efficiency; at the same time via remote paging station to announce to the whole school or any Floor, class or office.

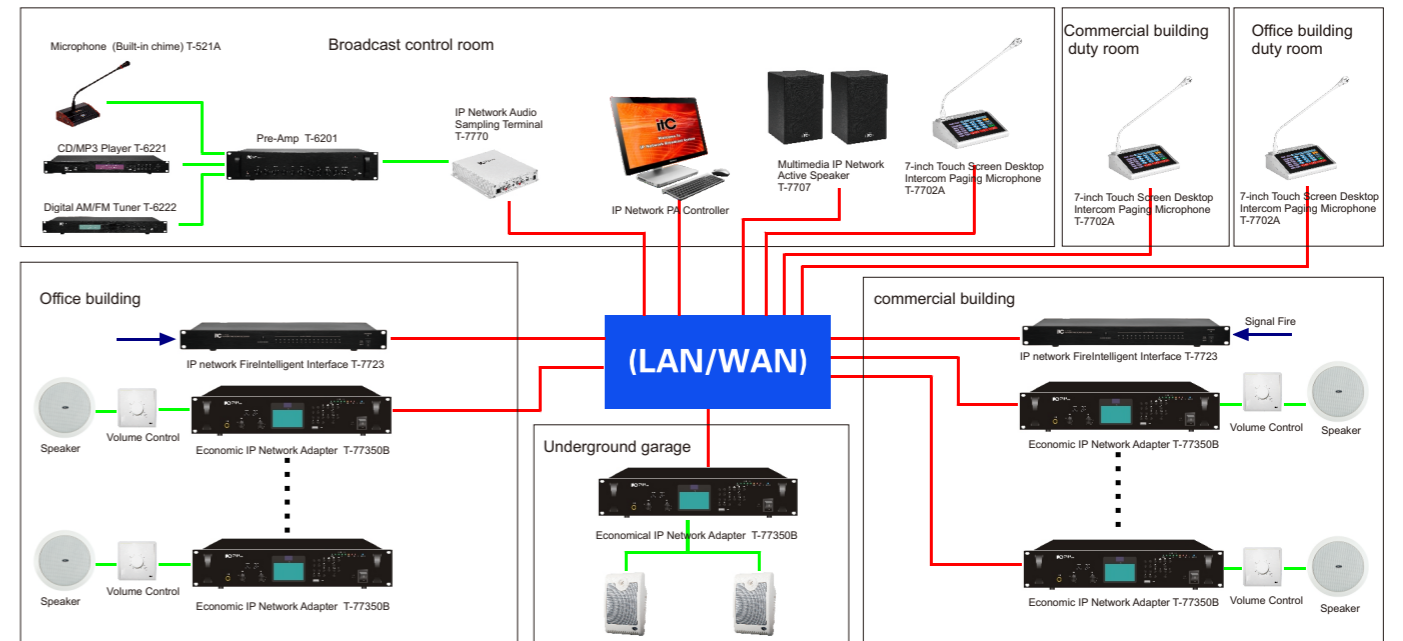
Background music broadcast, the school bell
Depending on the school schedule, through system programming, you can achieve unattended operation; play different music in different zones; play regular school bell, eye exercise, gymnastics and so on.

Classroom terminal backup
Classroom wall-mounted terminal has constant voltage backup. Once power breaks down or off, it instantly changes to analog constant voltage output, and the constant voltage signal output to each wall-mounted terminal to ensure a normal English listening test.

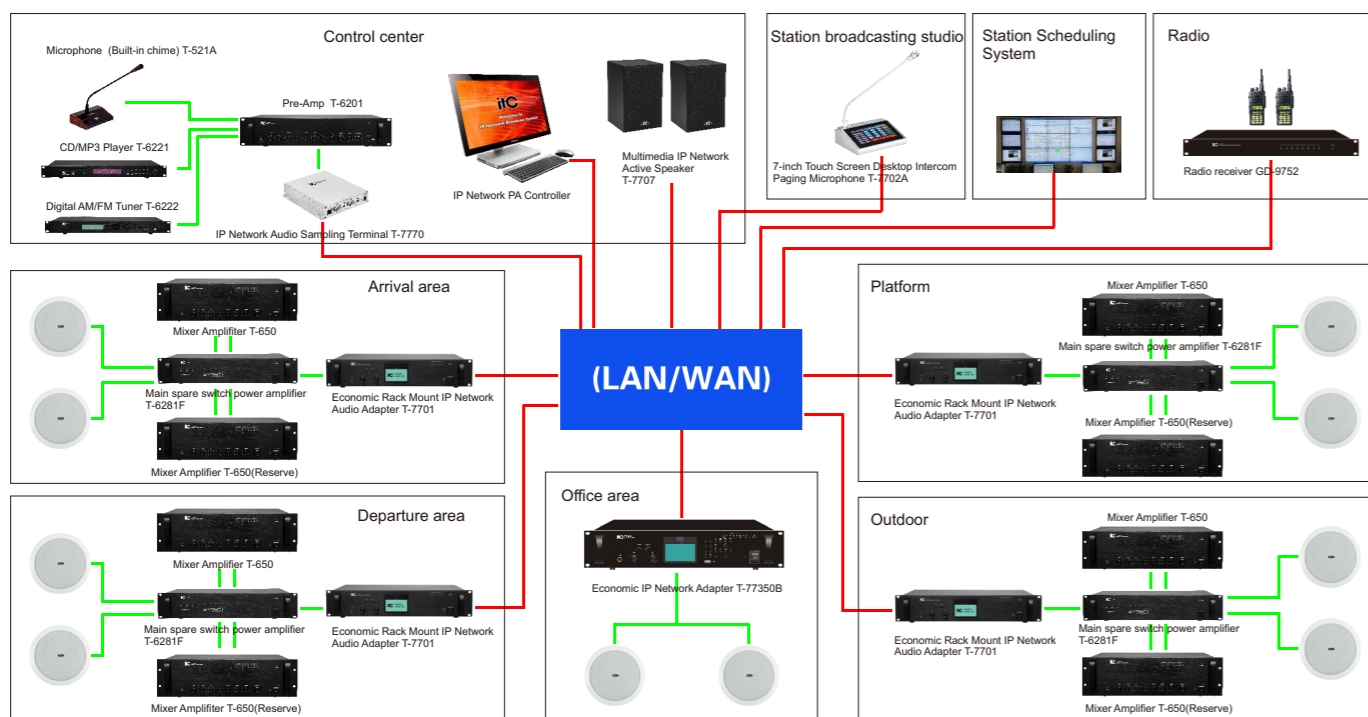
Terminal local sound reinforcement
To hold a sports meeting, flag-raising ceremony and other events outdoor, you can insert a wireless microphone on the IP terminal for local sound reinforcement.



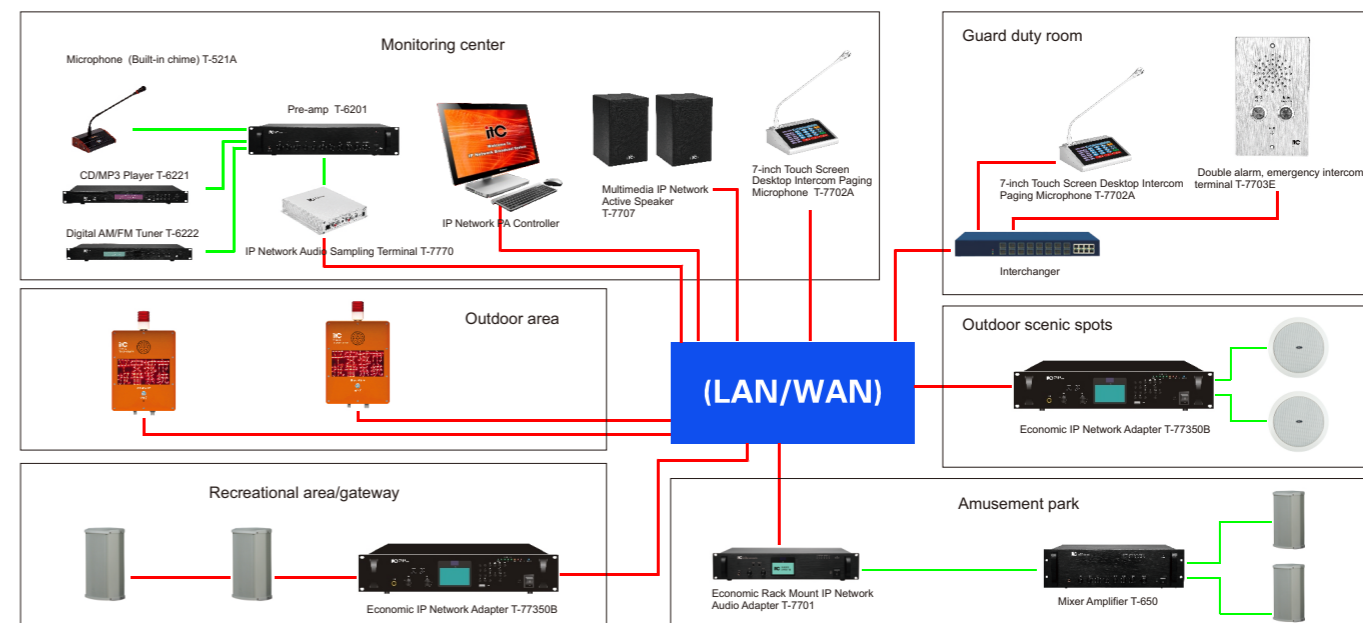
- Hotel background music broadcast**
Timing of realization of different partitions programmed to play different music in the hotel's lobby, restaurant, guest rooms and public areas Area, making customers feel at home.
- Hotel fire linkage function**
Integrate with hotel fire protection system, according to pre-set fire alarm mode, the passengers and staff can evacuate accurately, to avoid maximum casualties and property losses.
- Remote paging**
At the hotel reception, lobby manager can broadcast to specific zones or all zones.
- Multi-source selection function**
In the hotel's restaurant, banquet halls, restaurants and other areas, set up a local source, can switch to the network and select background music.
- Sub-control Function**
In the hotel's desk, leadership offices and other areas, set the sub-control device to facilitate the control and management.
- Television sound function**
Set TV sound in the hotel washing room; let the visitors enjoy every important news or favorite TV programs.



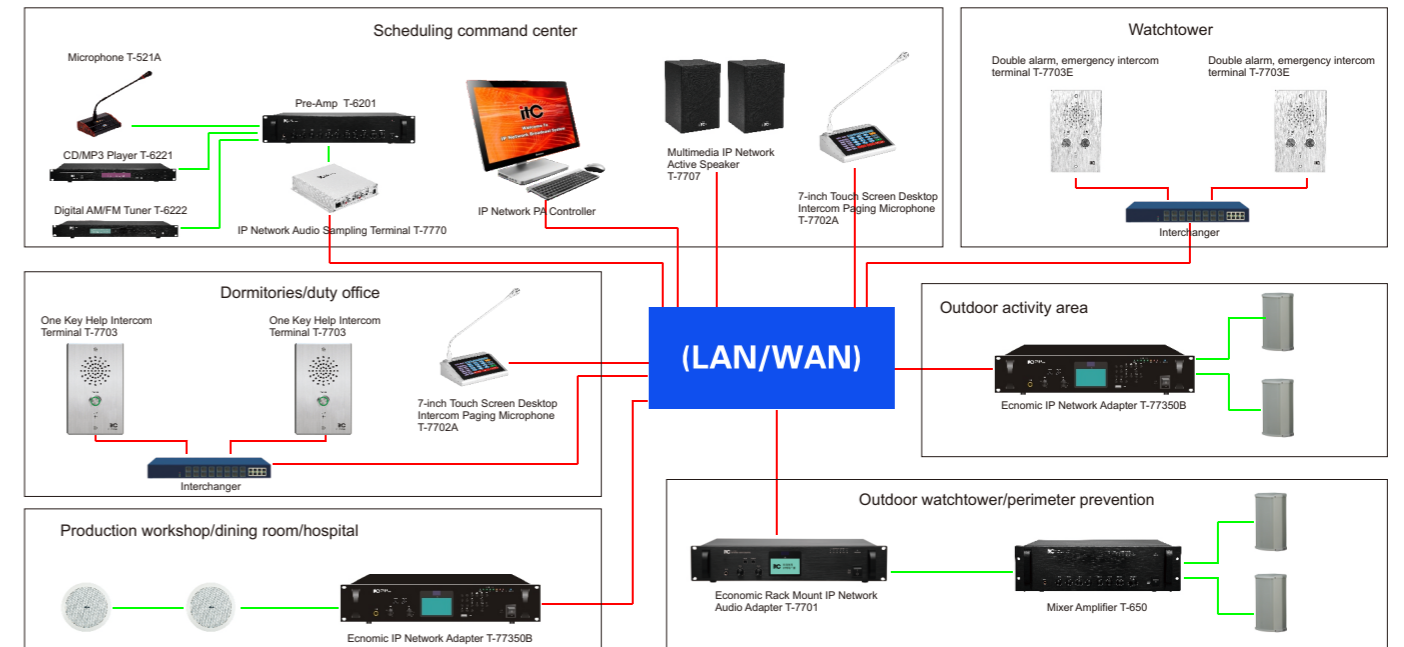
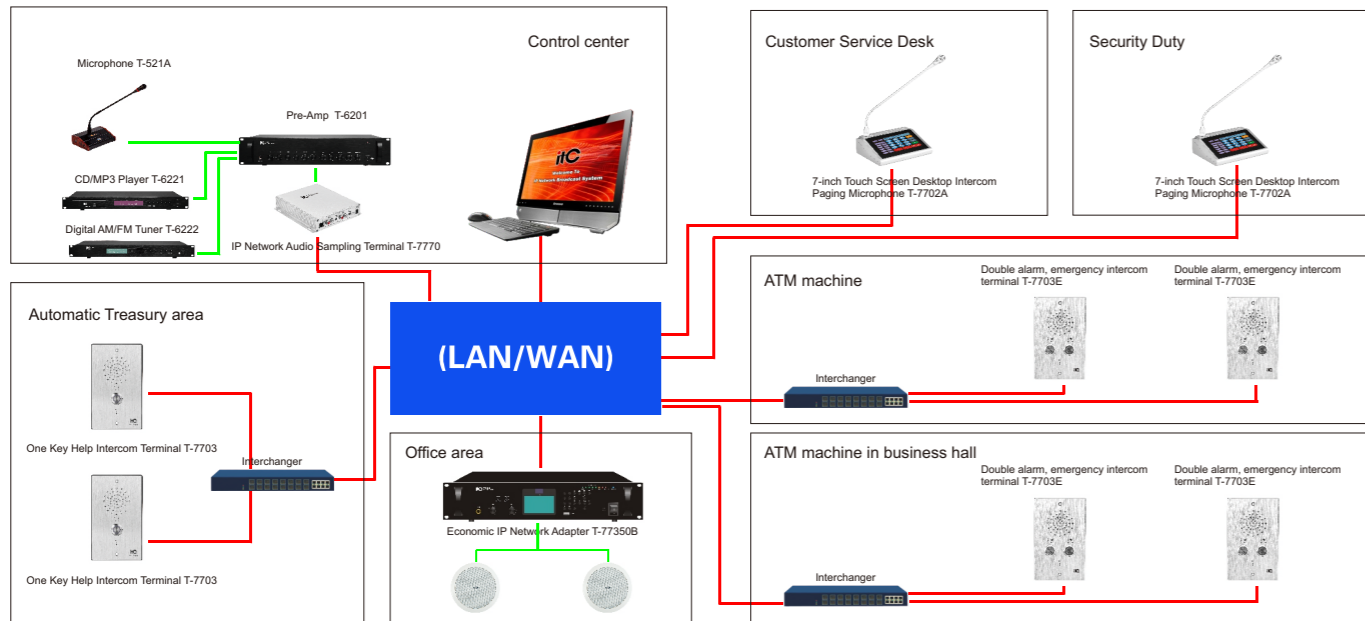
- Speaker background music broadcast**
Time playing different background music to different zones, to create a relax elegance shopping environment throughout the mall.
- Daily affairs partition/all zones broadcast**
Service desk can use remote paging microphone to broadcast notification, search notice to partitions or all zones.
- Local audio broadcast and paging function**
To broadcast or paging locally for promotion, on sales notices in different floors and live marketplace.
- Emergency broadcast, fire linkage**
Integrated with fire alarm system in the mall, when breaking out a fire, it triggers fire linkage equipment, then it automatically broadcast via pre-set procedures to avoid casualties and property losses, to safeguard mall customers and staff life and property safety.



- * In the whole railway project, there is an operation platform for traveling and service information, which can be integrated with the PA system based on SDK, to achieve real-time playback of such message to different regions.
- * Railway broadcast system adapts digital network broadcasting systems based on IP/TCP, sharing network with CCTV, computers and so on, to reduce cabling costs, and fulfill platform integration.
- * In the railway station arrival area, departure area, outdoor plaza and other areas, there are functions of radio broadcast, noise detection, standby switch, line detection, etc., to ensure the normal broadcast operation.
- * Integrated with fire alarm system, if there is a fire, it triggers fire linkage equipment, and then it automatically broadcast via pre-set procedures to ensure life and property safety of each zone.



- Automatic Timed playing Background music**
Park broadcast system plays different background music in different scenic regions, which gives visitors leisure relaxed feeling; Background music can be broadcast unattended and completely achieve the full automatic control!
- Business announcement**
Park broadcast system can regularly play tourist information in local, weather forecasts, WARM TIPS, etc in some zones or all zones.
- Remote broadcast and paging**
Each park management office set up a workstation, Remote broadcast can be made through any workshop in any zone or all zones; No matter the tourists in any zone, they can find nearby stations and send people search information.
- Emergency Broadcast**
When there is sudden incident or abrupt weather change in the park, the park management personnel can notice all the visitors in park through emergency broadcast!
- Call for help, Two-way Intercom**
When visitors encounter some emergency in the park, they can use the terminals which near the monitoring site to call the campus security control center for help in the soonest time.



- * It shares with the bank's internal network, no need to rearrange network, which reduces cabling costs; and achieves multi-level platform management at the same time, unified deployment assign permissions from the head office, branches are independent and without interference.
- * In case of an emergency (system retain card, no Dispense, abnormal terminals, etc.) during using ATM, customer can press the emergency call button on the ATM, call for help from the security center or call the police. The bank security personnel can check the real-time surrounding circumstances from the monitor screen, and audio equipment, to achieve effective protection of people using bank ATM machine.
- * Can be timed play background music, news, information bulletin, financial dynamics and so on.
- * When treasury staff enter into the treasury by the monitoring personnel authorization from headquarters site, which needs short call and timely processing, to improve work efficiency.
- * The system provides fire alarm linkage broadcast; once there is an emergency (such as fire), it can automatically switch to emergency broadcast states according to program instructions; note and evacuate people to ensure the safety of personnel inside the bank building.
- * The broadcasting system can be unified management and share same network with other security systems of the bank, providing third-party embedded development platform with standard MFC dynamic-link libraries, to fulfill large-scale systems and platform integration.

- Timing BGM broadcast**
System can play audio program to arbitrary multiple dormitories and broadcast speech; background education music and legal common sense in any dormitories.
- Remote paging function**
When broadcast management center need send notice to multiple dormitories, users can choose by broadcast control center to select informed area, the rest zones would keep playing normal music as before.
- Fire linkage function**
Through linkage between PA systems and fire alarm host, the users can organize and guide person go to safety evacuation site when there is a fire.
- Call for help function**
When there is a riot or fight of prisoner, or other emergencies in the dormitories, hospital and production workshop area, users can use explosion-proof terminal call the guards on duty for help.
- Seamless integration with security monitoring systems**
System with a complete software dynamic link library, which can realize monitoring linkage function, namely when turned alarm terminal, trigger the surveillance camera images to the control room, the person on duty can deal with emergency in time.
- Multiple management**
Multistage prison superior and subordinate management functions. The superior and subordinate can achieve interaction can through the IP intercom and realize effective information communication in emergency.