



System introduction <<<



The design of stage lighting system is configured according to the rules of stage art performance and special use requirement. The purpose is to design and configure the lighting system required for various art performance, so that the stage lighting system can precisely, completely show the art.

To create a complete free space of stage lighting, adapt to all lighting requirements; in order to enable the system to continue to operate, properly increase reserves and expand space.



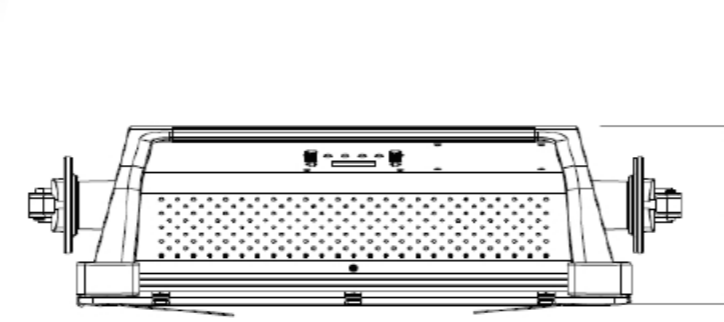
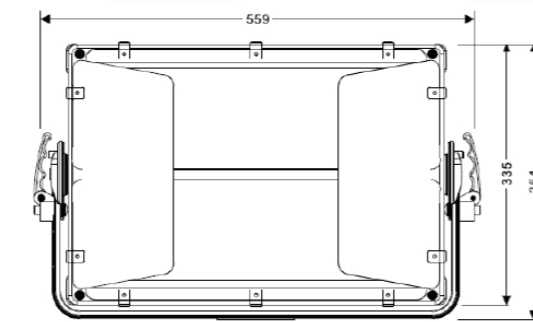
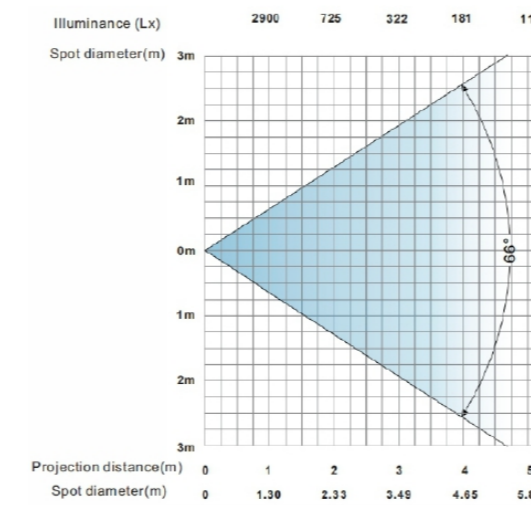
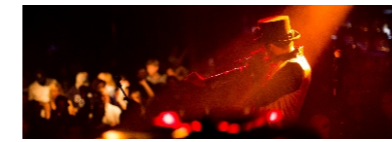
Guangdong BaoLun Electronics Co, Ltd (Leading Audiovisual and Lighting System Manufacturer)
Factory Add: No. 56 Nanli East Road Shiqi Town, Panyu District, Guangzhou

Headquarter Add: No. A13-1 Yiku Industrial Park, The Hills, Dongyi Road, Panyu District, Guangzhou China
Website: www.itctech.com.cn info@itc-pa.com.cn

www.itctech.com.cn

LED Studio Light >>>

TL-SL303

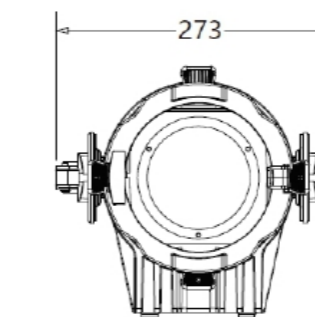
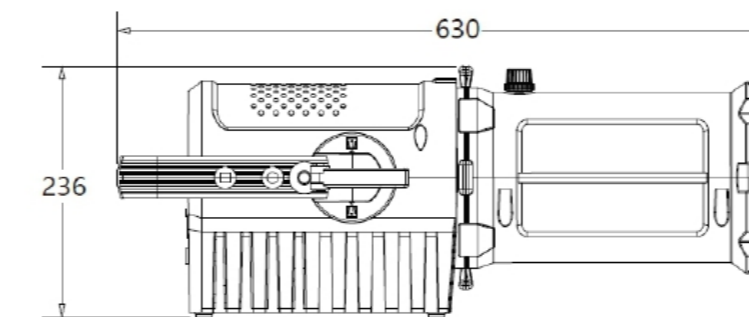
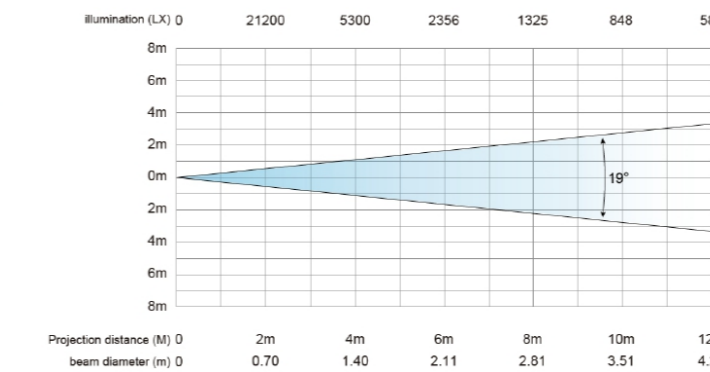


Product Specification	
Model	TL-SL303
Input voltage	AC 110-240V 50/60Hz, 200W
Light source	522 5050/0.4W four-in-one LED
Average lifespan	100000H
Color temperature	2700-6500K, CRI≥80, TLCI≥80
Channel	4/8/9 channels
Control mode	DMX signal control or manual button control; color temperature can be manually adjusted separately
Fixture material	Aluminum alloy
Protection level	IP20
Fixture size (L×W×H)	559×354×155mm
Package size (L×W×H)	640×390×215mm
Gross weight	12kg
Net weight	10.2kg

info@itc-pa.com.cn

LED Studio Light >>>

TL-SL323



Product Specification	
Input voltage	AC 110-240V 50/60Hz, 200W
Light source	COB white light 200W LED 3200K
Average life	50000H
Color temperature	3200K apparent value Ra ≥ 90
Optical angle	19 degrees (26 degrees optional)
Display interface	LCD liquid crystal display + four keys / Support English and Chinese switching
Signal input / output	3P-XLR input / output, DMX512 signal.
Channel	2 channels
Luminaire material	die-casting aluminum
Working environment	-20°C~45°C
Protection level	IP20
Luminaire size (L×W×H)	630×273×236mm
Package size (L×W×H)	700×330×300mm
Gross weight	9.4KG (1PCS)
Net weight	7.7KG

www.itctech.com.cn

LIGHT THE WORLD
ILLUMINATE THE FUTURE

STAGE LIGHTING

Illuminate you , enjoy the stage

Product Description

- Moving Head Beam Light
- LED PAR Light
- LED Water Wave Light
- LED Flat Soft Light
- LED Focus Imaging Light
- Lighting Console



Related Products <<<



TL-SL203



TL-SL208



TL-SL210



TL-SL112



TL-SL157



TL-SL162



TL-SL302



TL-SL312



TL-SL314



TL-SL327



TL-LT102



TL-LT621A



TL-LT703



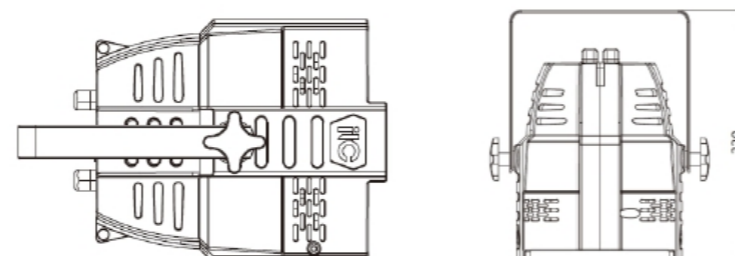
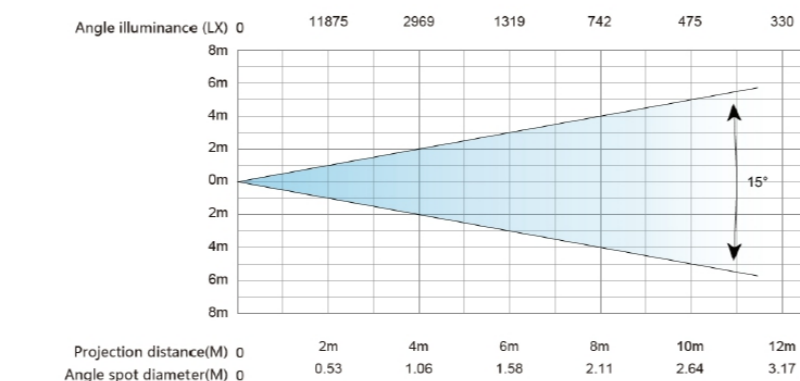
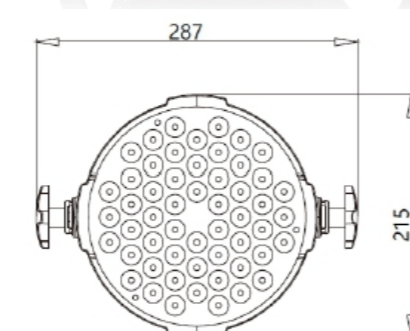
TL-SL611



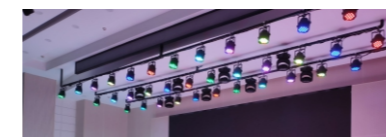
TL-SL703

Par Light >>>

TL-SL201

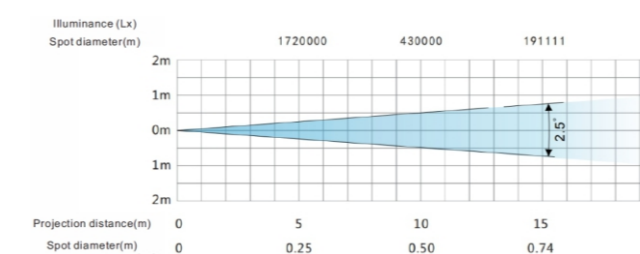
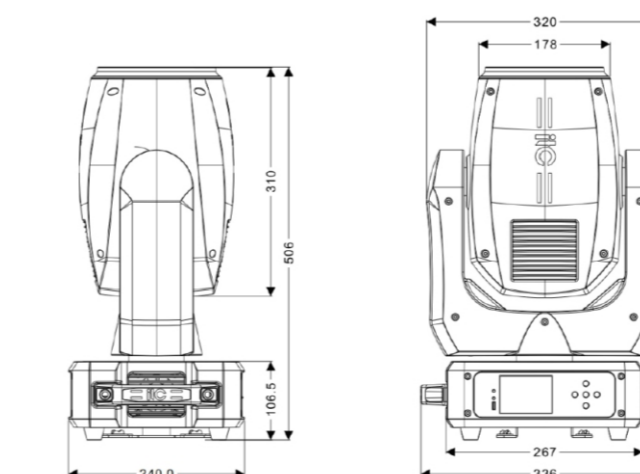


Product Specification	
Model	TL-SL201
Input voltage	AC 110-240V 50/60Hz, 165W
Light source	54×3W LED(R14G14B14W12)
Average lifespan	50000H
Color temperature	3200K~7200K linear adjustment
Beam angle	25°(15°, 45° optional)
Control mode	Multiple voice control, DMX512, built-in self-propelled program, master-slave online mode, support RDM protocol and program online update function
Channel	4/8 channels
Fixture material	Cast aluminum housing
Protection level	Fireproof V-1, protection IP20
Fixture size (L×W×H)	287×215×330mm
Package size (L×W×H)	250×250×360mm
Gross weight	3.2kg
Net weight	2.8kg



Moving Head Beam Light <<<

TL-SL101

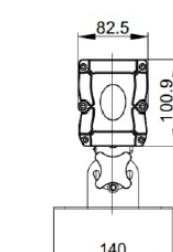
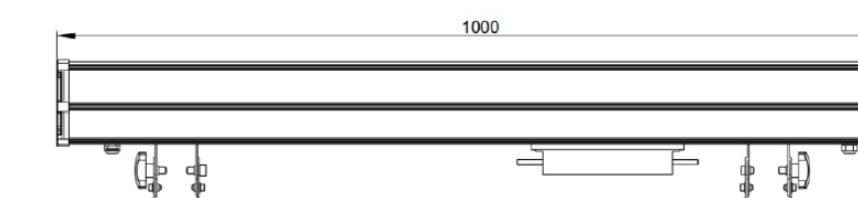


Product Specification	
Model	TL-SL101
Input voltage	AC110V-240V 50/60Hz, 350W
Ballast	Electronic ballast
Light source	OSRAM 251W
Average lifespan	2000H
Color temperature	8000K
Beam angle	2.5°
Control mode	DMX512 protocol, support RDM protocol and online program update function;
Channel	13/15 channels
Fixture material	High temperature resistant plastic + molded alloy material
Protection class	Ip20
Fixture size (L×W×H)	340×240×506mm
Package size (L×W×H)	400×375×525mm
Gross weight	17.5kg
Net weight	15.0kg



Water Effect Light <<<

TL-LT103



Product Specification	
Model	TL-LT103
Input voltage	AC 110-240V 50/60Hz, 120W
Light source	3 OSRAM 40W (RGBW) red, green, blue and white LED
Average lifespan	50000H
Color temperature	7500K
Beam angle	22.5°
Control mode	Comply with the international standard DMX512 signal control protocol, 3-core (5-core optional) DMX512 signal interface; master-slave synchronous control mode, support RDM protocol and program online update function
Operation mode	DMX mode, user program mode, built-in program mode
Channel	5/9 channels
Fixture material	High-strength extruded aluminum + die-cast aluminum alloy end cover
Protection level	Protection IP67
Working temperature	-20°C~45°C
Fixture size (L×W×H)	1000×140×174mm
Package size (L×W×H)	1075×250×255mm
Gross weight	9.4kg
Net weight	5.5kg

